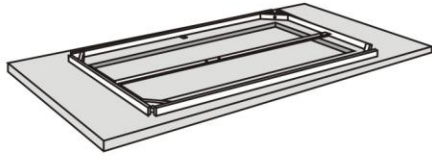


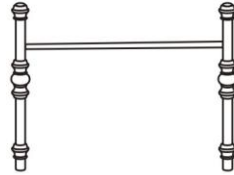
ASSEMBLY INSTRUCTION

A Table Top



1 pc

B Table Leg Frame



2 pcs

C Table Leg Support



2 pcs

D Bolt 5/16", 2"



4 pcs

E Lock Washer φ 9



4 pcs

F Flat Washer φ 16



4 pcs

G Bolt 1/4", 5/8"



6 pcs

H Lock Washer φ 6.5



6 pcs

I Flat Washer φ 13



6 pcs

J Allen Wrench

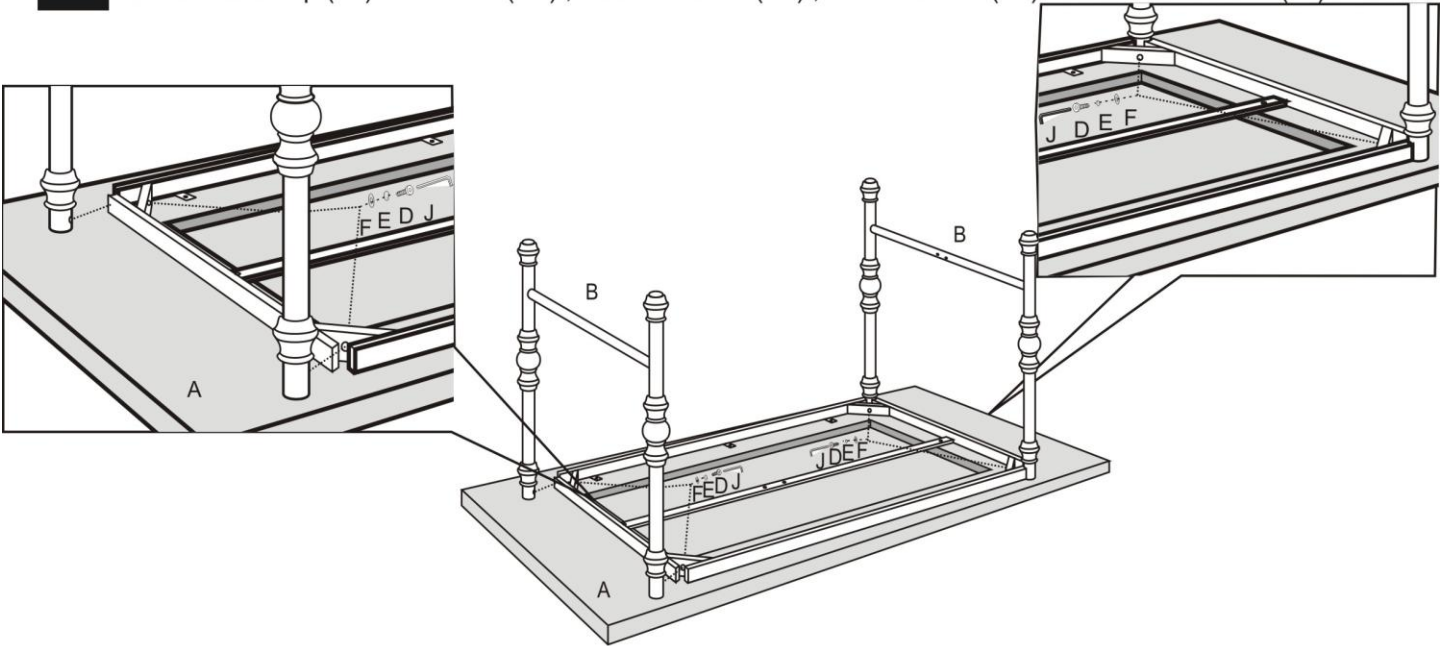


1 pc

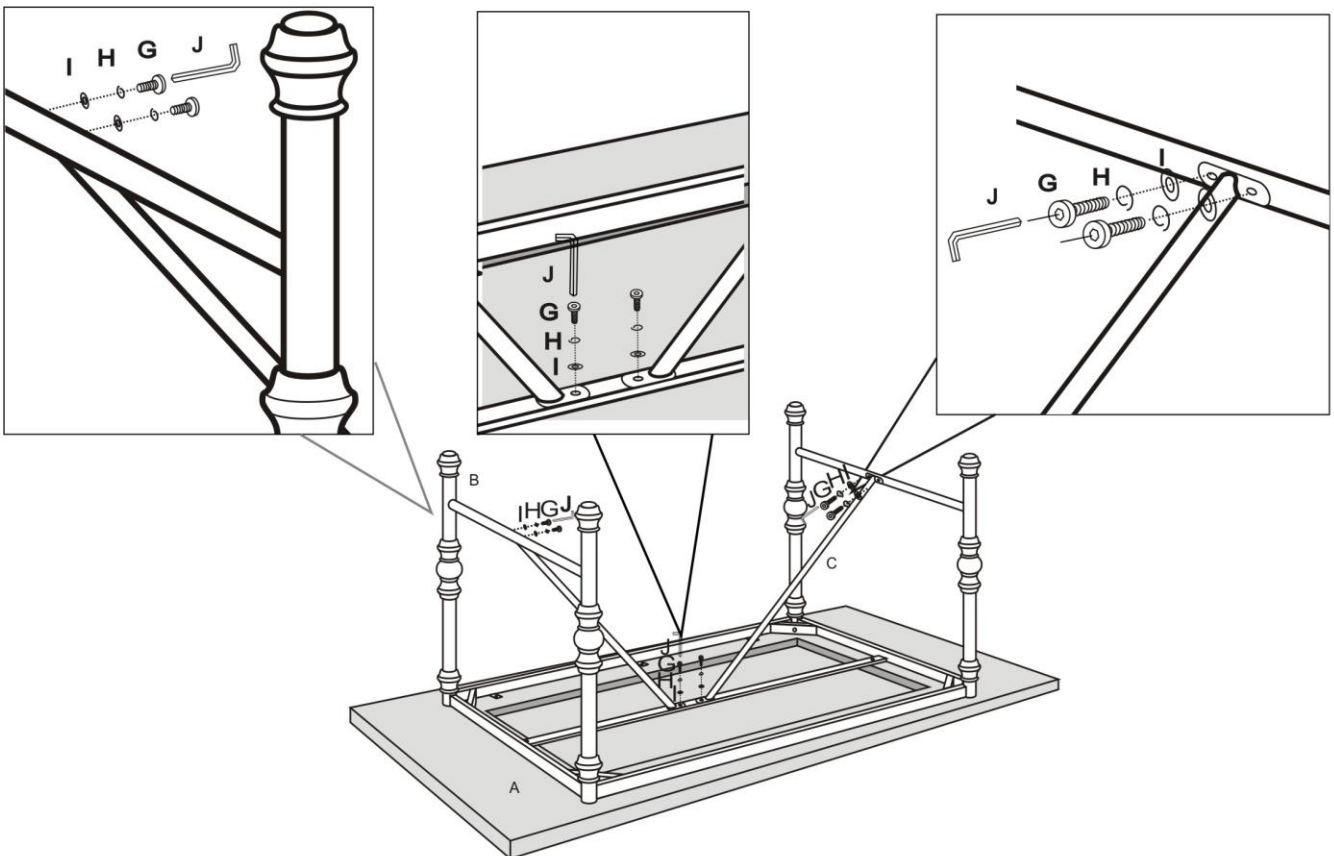
This page lists all the contents included in the box. Please take the time to identify the hardware as well as the individual components to this product. As you unpack and prepare for assembly, place the contents on a carpeted or padded area to protect them from damage.



- 1** Place and face down table top on a stable and smooth surface, attach Table Leg Frame (B) to the Table Top (A) with Bolt (D) , Lock Washer (E) , Flat Washer (F) and Allen Wrench (J).



- 2** Attach Table Leg Support (C) to the center of Table Leg Frame (B) and the Table Top (A), with Bolt (G) , Lock Washer (H) and Flat Washer (I) , and tighten all bolts with Allen Wrench (J).



Cleaning & Care

Treat surface with care. Surface is resistant to scratches but is not scratch resistant. Clean surfaces with a dry or damp soft cloth. Do not use abrasive cleaners. Hardware may loosen over time. Periodically check that all connections are tight.