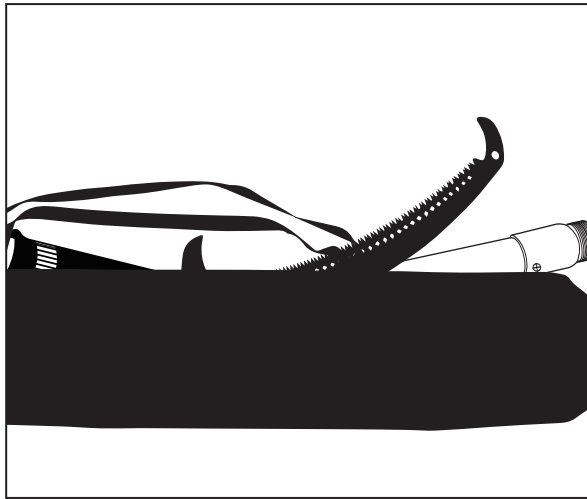
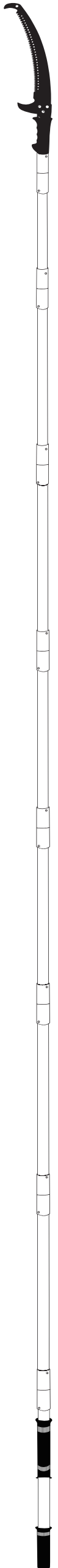
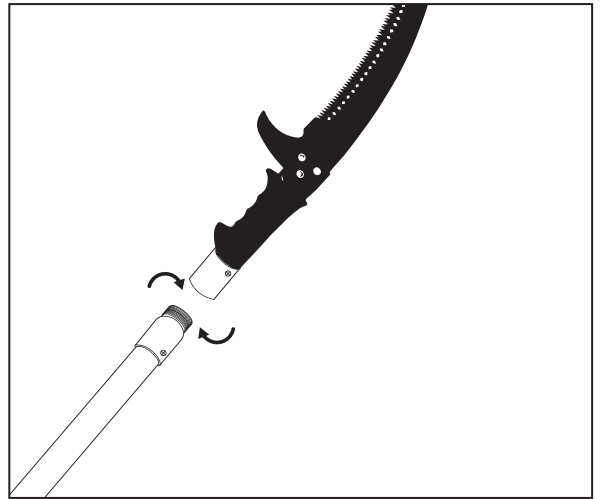


Assemble Instructions For Tree Pole Pruner

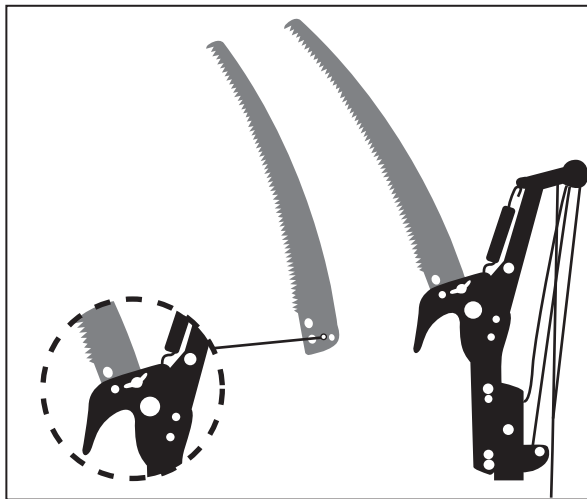
Installation Method:



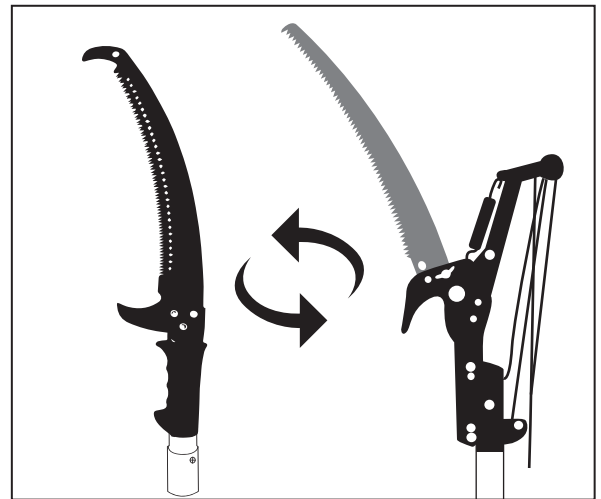
1. Take out the pole in the package.



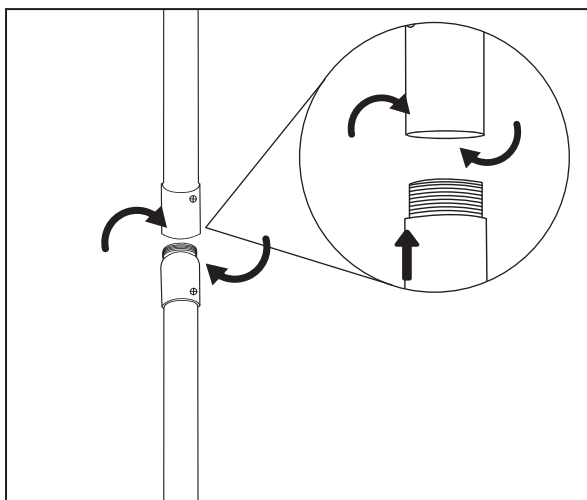
2. Connect the saw blade to the short pole.



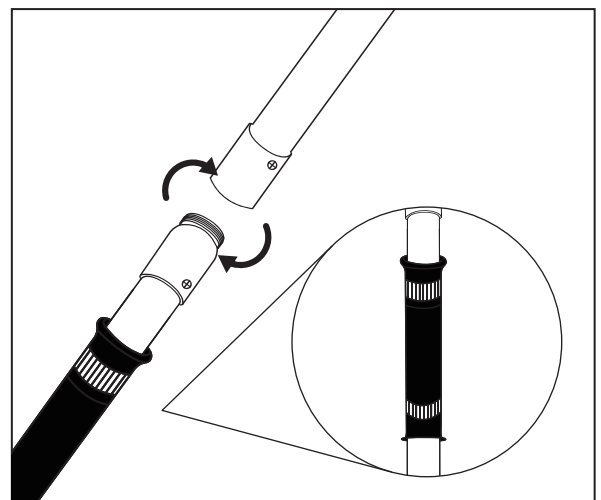
3. Secure the saw blade with a screw connection.



4. Replaceable saw.



5. Connect the poles according to the length you need.



6. Connect the end pole.
(Black rubber grip on the end pole)

Parts Included:



Saw Blade Pole x1 Epoxy Resin Poles x8 Blade Cover x1 Saw Blade x1 Replacement Saw Blade x1 Gloves x1 Canvas Storage Bag x1

Attention:

1. Please contact us immediately in case of missing parts or damaged product.
 2. After use, please disassemble the tree pole pruner and put it in the canvas bag for storage.
- Any problem, please feel free to contact us.