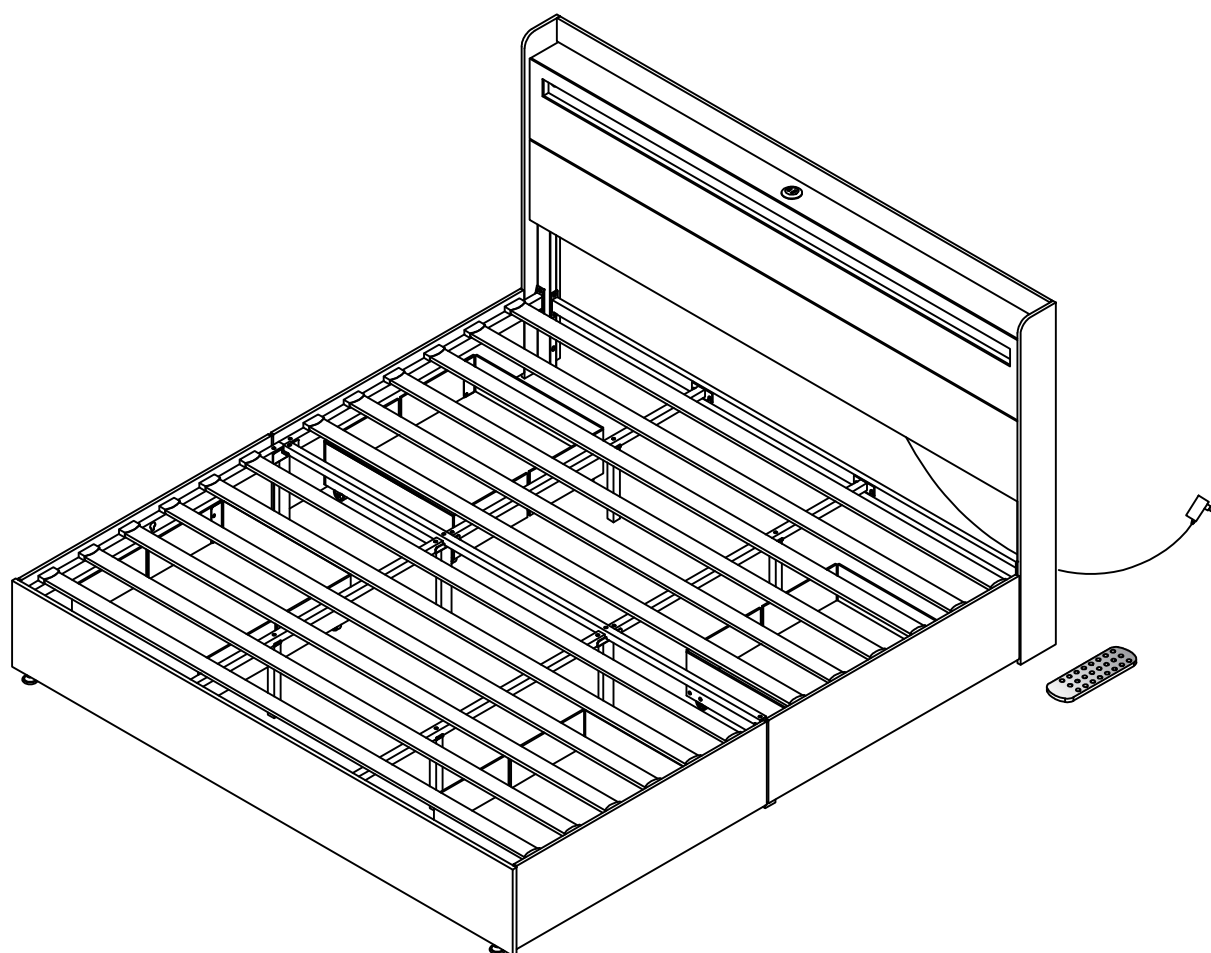
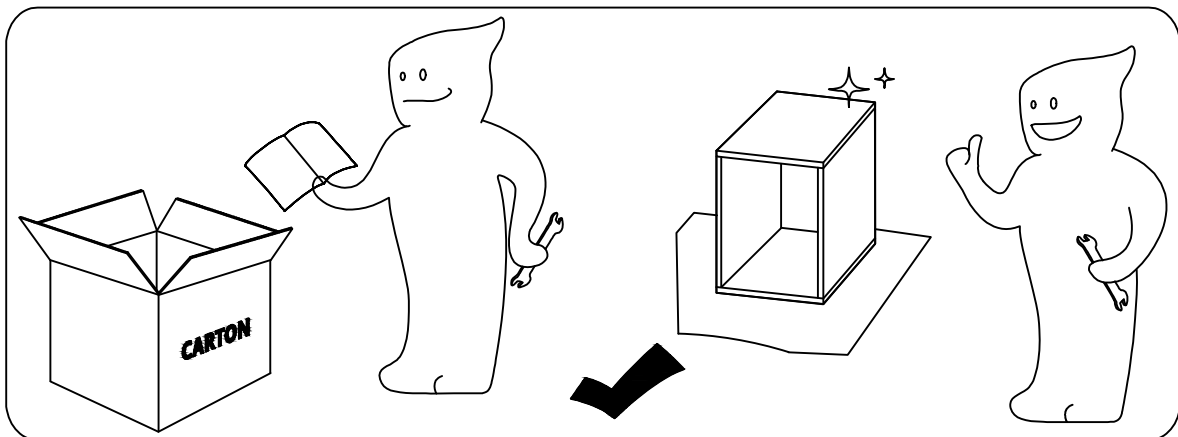
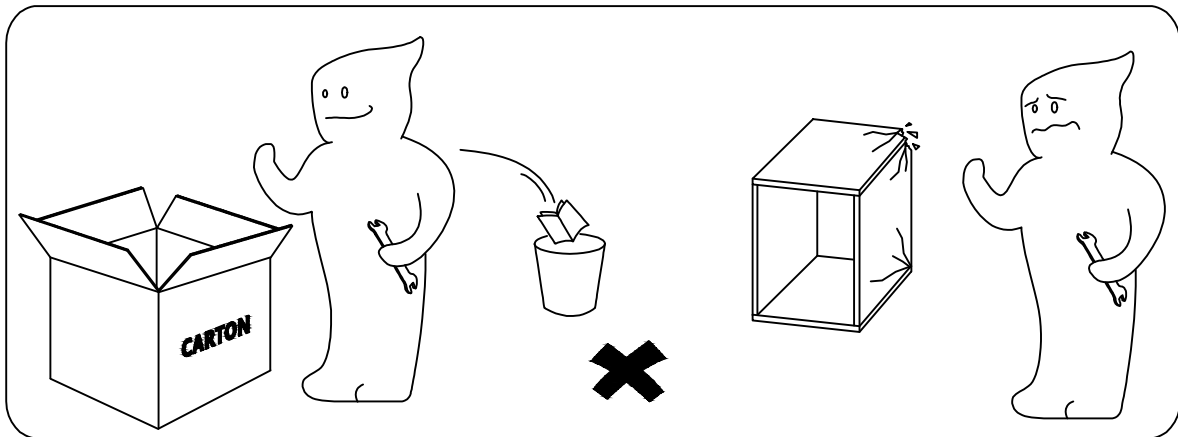


# ASSEMBLY INSTRUCTIONS



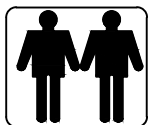
# ! IMPORTANT

Please follow the instruction manuals and use a pad to protect the product during your assembly.

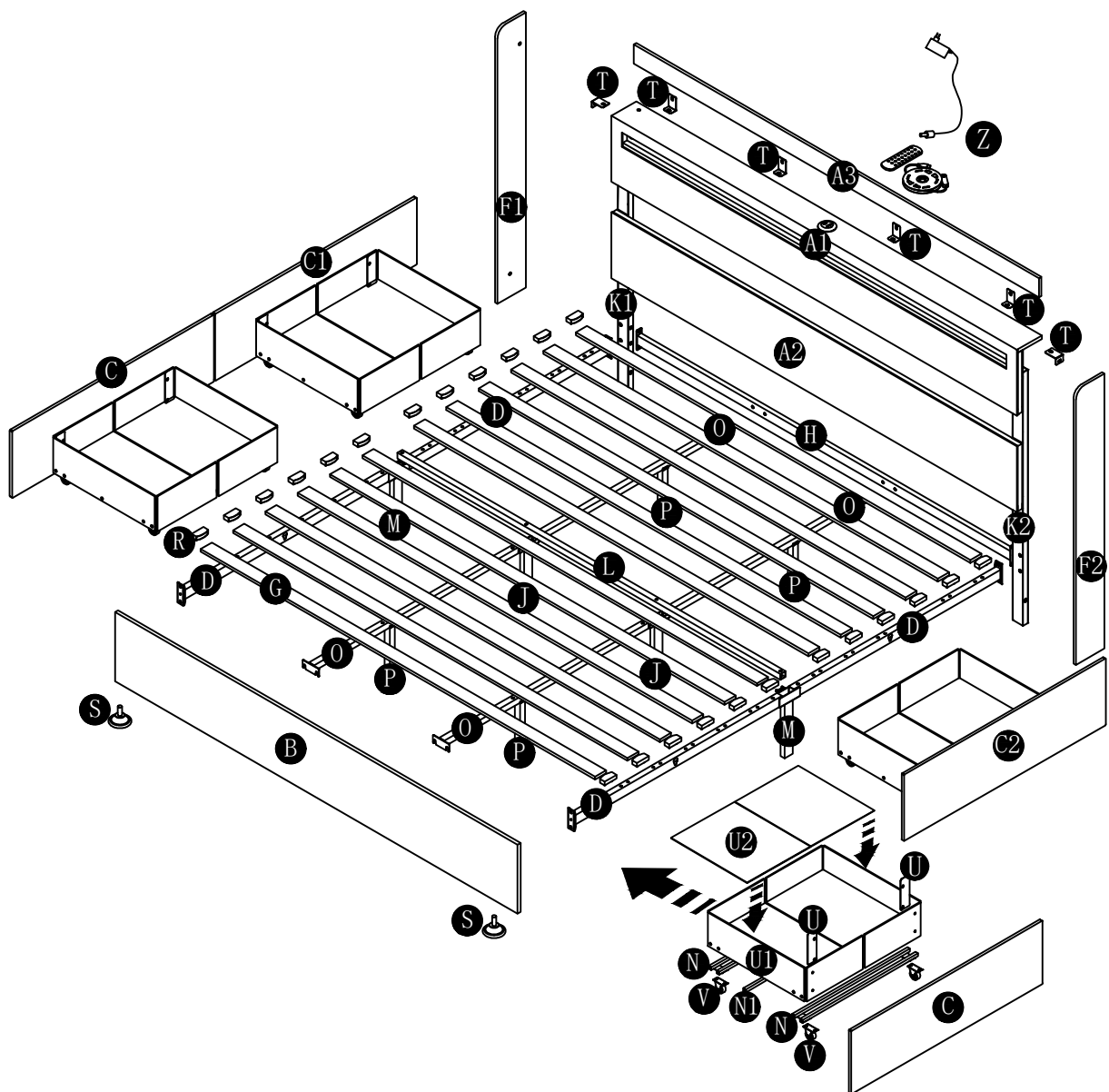


Note:

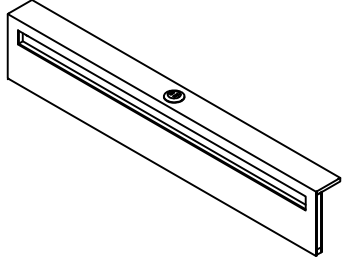
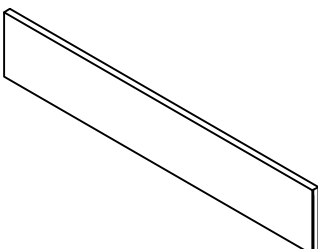
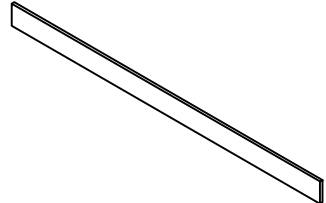
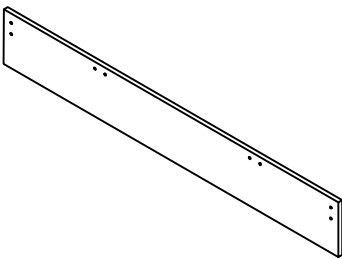
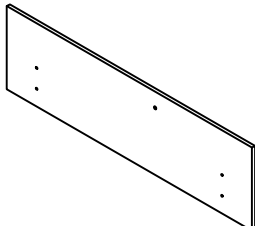
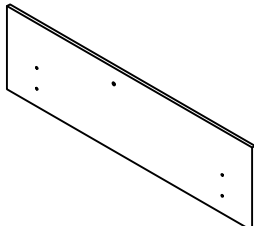
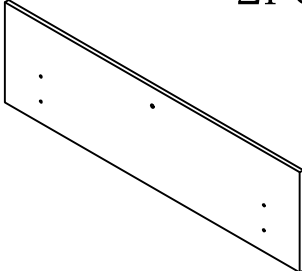
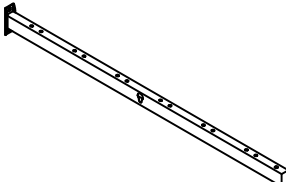
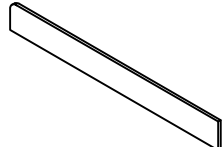
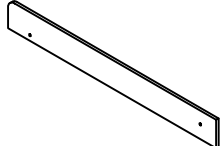
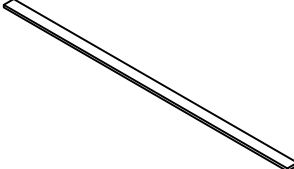
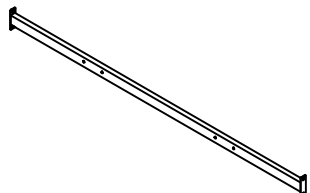
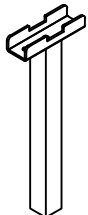
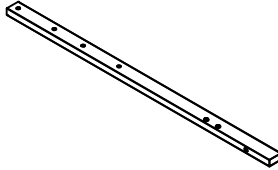
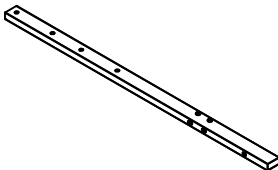
1. Should be assembled on flat ground to keep balance.
2. Before completing the installation, do not tighten the screws.



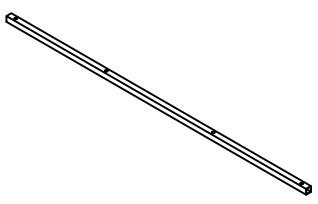
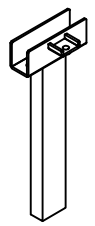
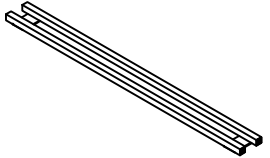
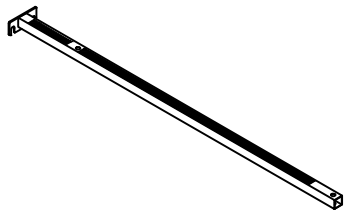
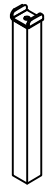
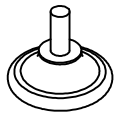
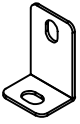
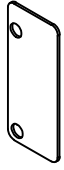
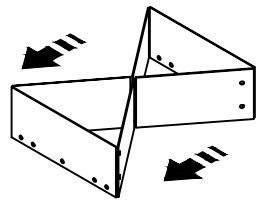
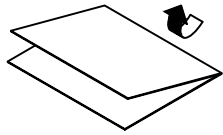
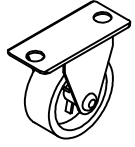
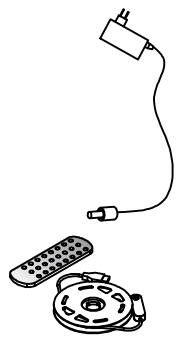
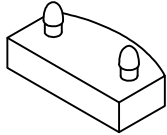
For easier and better assembly, 2 or more adults are required.



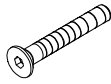
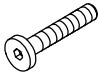
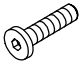

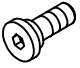
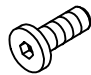

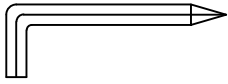
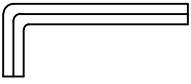
# Part list

<p>A1 1PC</p> 	<p>A2 1PC</p> 	<p>A3 1PC</p> 
<p>B 1PC</p> 	<p>C1 1PC</p> 	<p>C2 1PC</p> 
<p>C 2PCS</p> 	<p>D 4PCS</p> 	<p>F1 1PC</p> 
<p>F2 1PC</p> 	<p>G 12PCS</p> 	<p>H 1PC</p> 
<p>J 2PCS</p> 	<p>K1 1PC</p> 	<p>K2 1PC</p> 

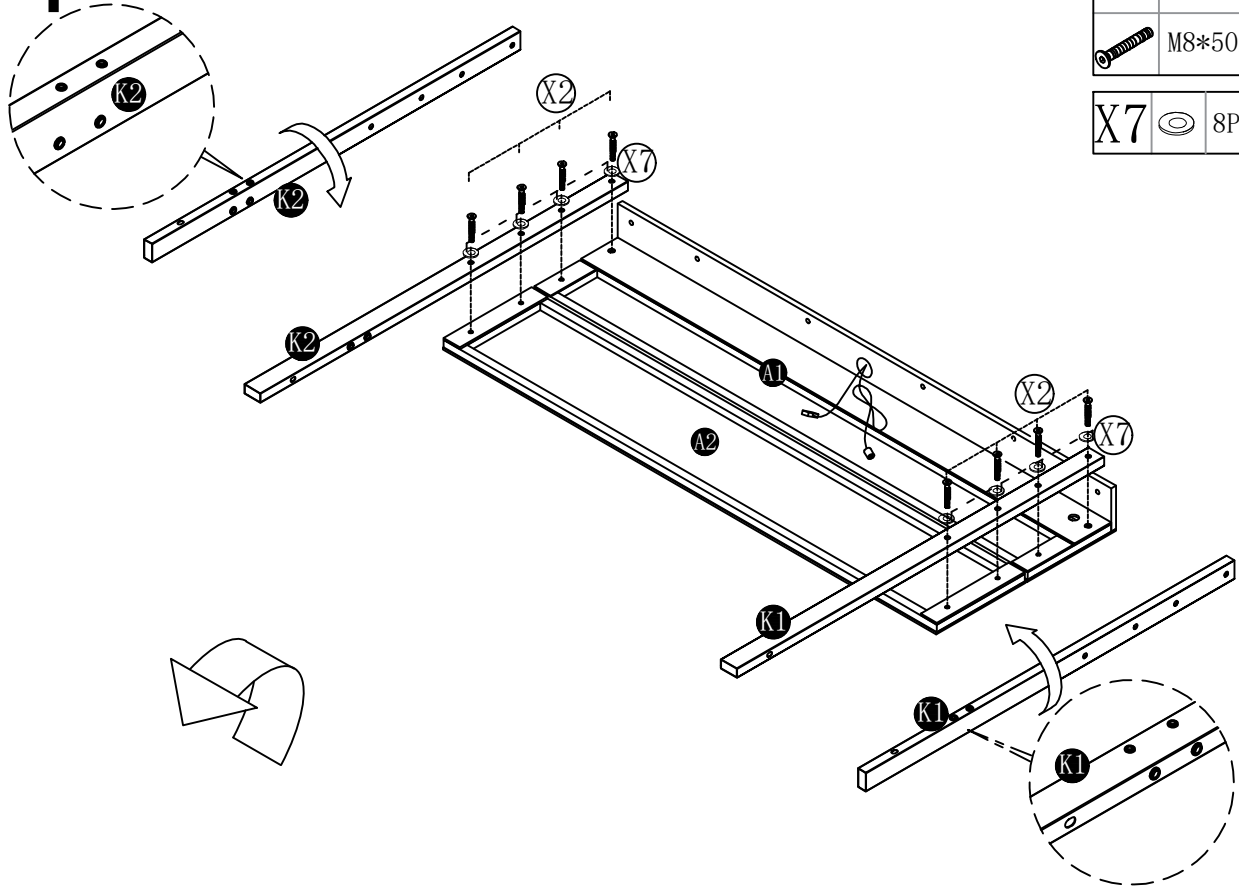
# Part list



<p>L 1PC</p> 	<p>M 2PCS</p> 	<p>N 8PCS</p> 
<p>N1 4PCS</p> 	<p>O 4PCS</p> 	<p>P 4PCS</p> 
<p>S 2PCS</p> 	<p>T 6PCS</p> 	<p>U 8PCS</p> 
<p>U1 4PCS</p> 	<p>U2 4PCS</p> 	<p>V1 16PCS</p> 
<p>Z 1PC</p> 	<p>R 24PCS</p> 	

## Hardware list

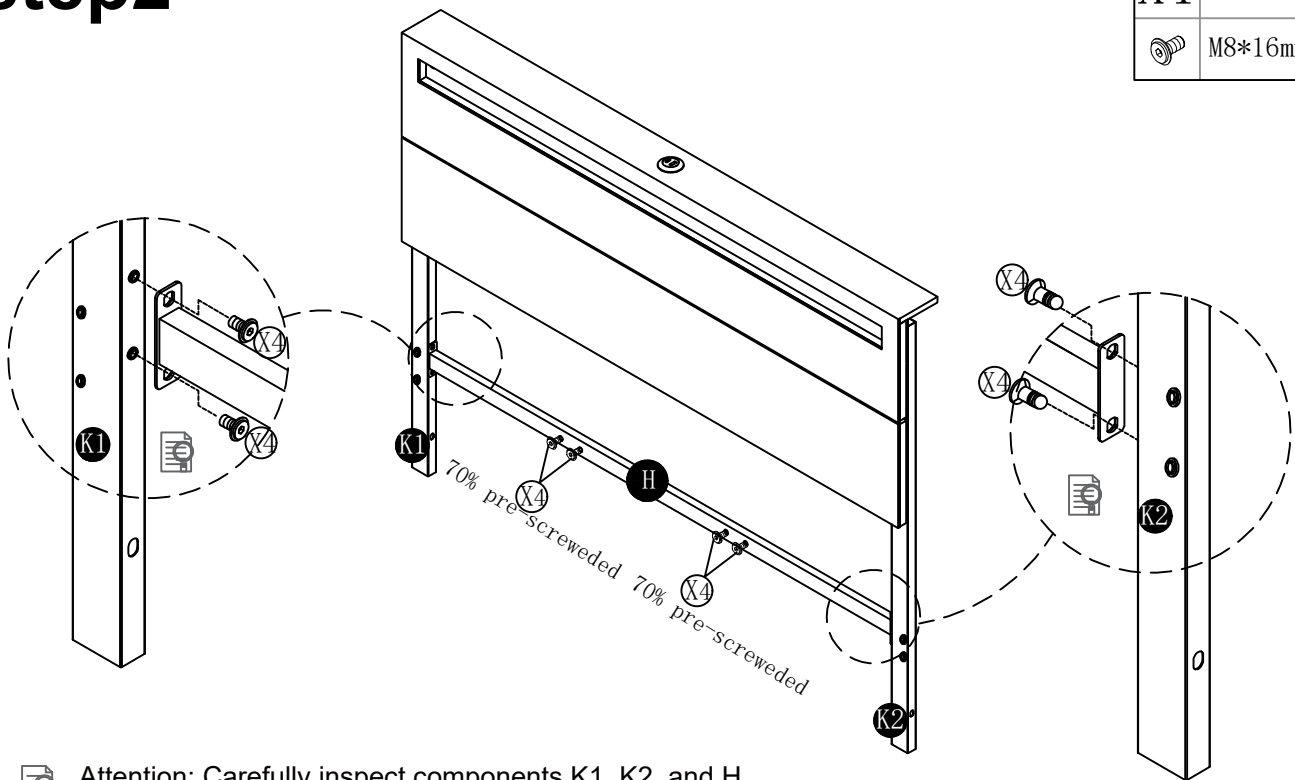
X1	2PCS	X2	14PCS	X3	10PCS	X4	32PCS
							
M8*65mm		M8*50mm		M8*40mm		M8*16mm	
X5	4PCS	X6	88PCS	X7	14PCS	Z1	1PC
							
M8*12mm		M6*14mm		$\phi 22 * \phi 8.5$		M8 Spanner	
Z2	1PC						
							
M6 Spanner							


# step1



X2	8PCS
	M8*50mm
X7	8PCS
	

# step2




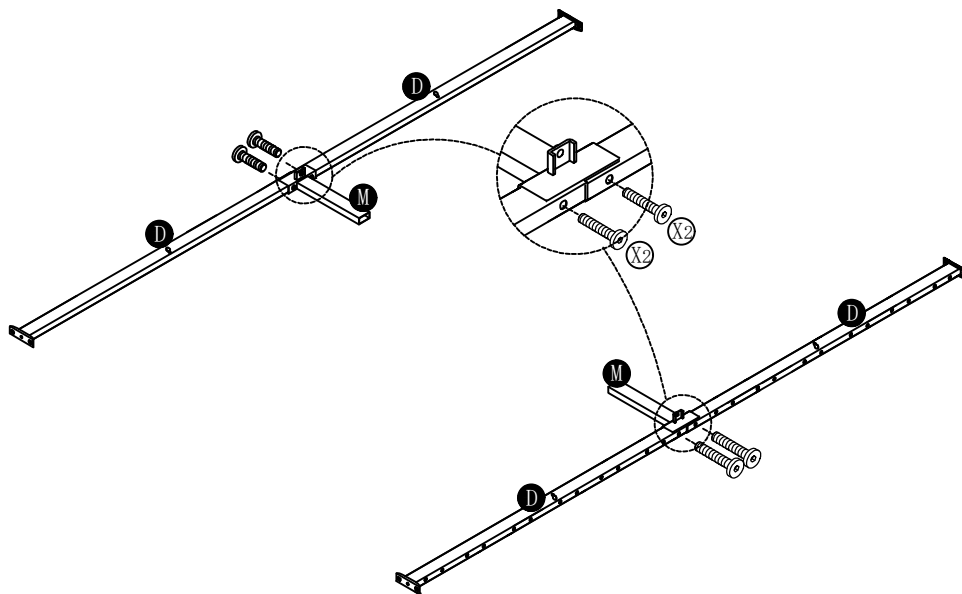
X4	8PCS
	M8*16mm



Attention: Carefully inspect components K1, K2, and H to ensure they are on the right position.

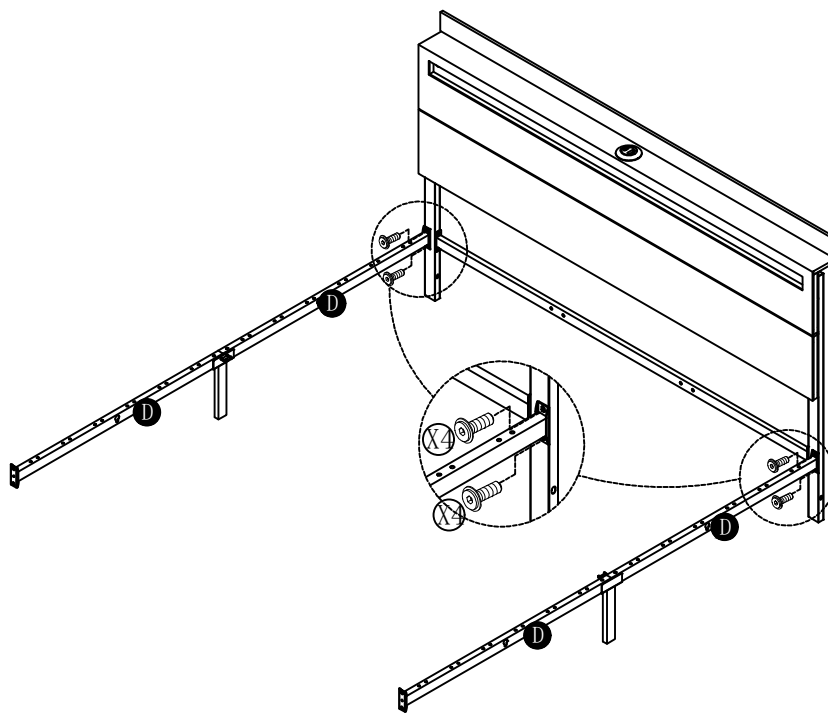
# step3

X2	4PCS
	M8*50mm



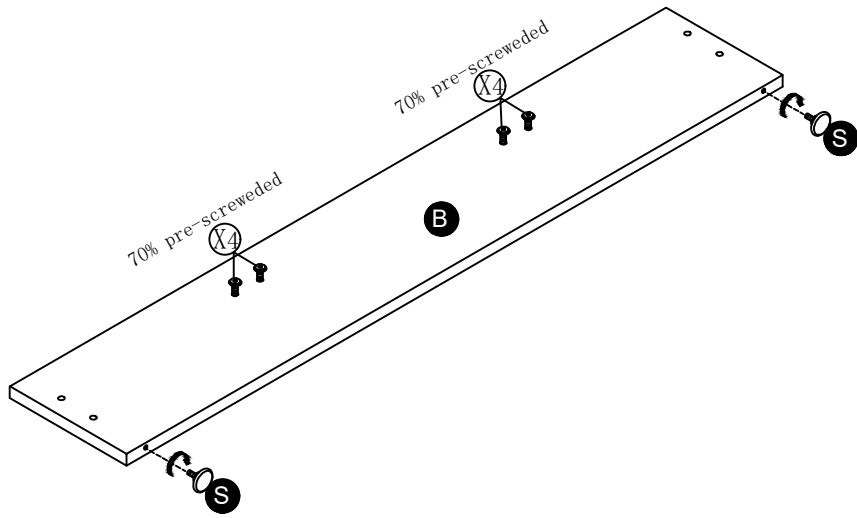
# step4

X4	4PCS
	M8*16mm




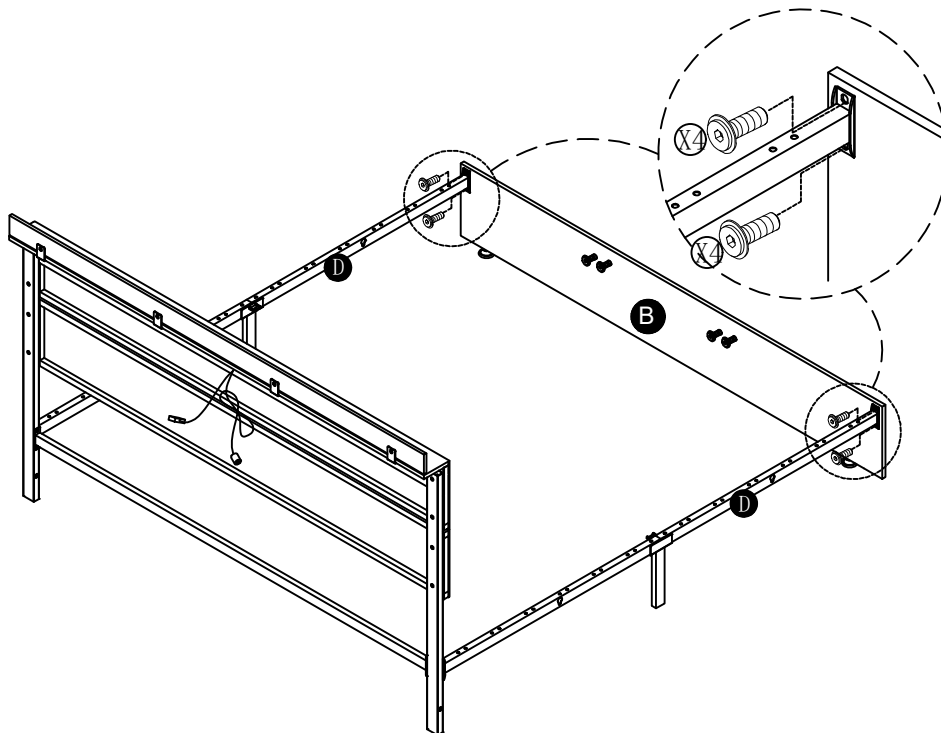
# step5

X4	4PCS
	M8*16mm




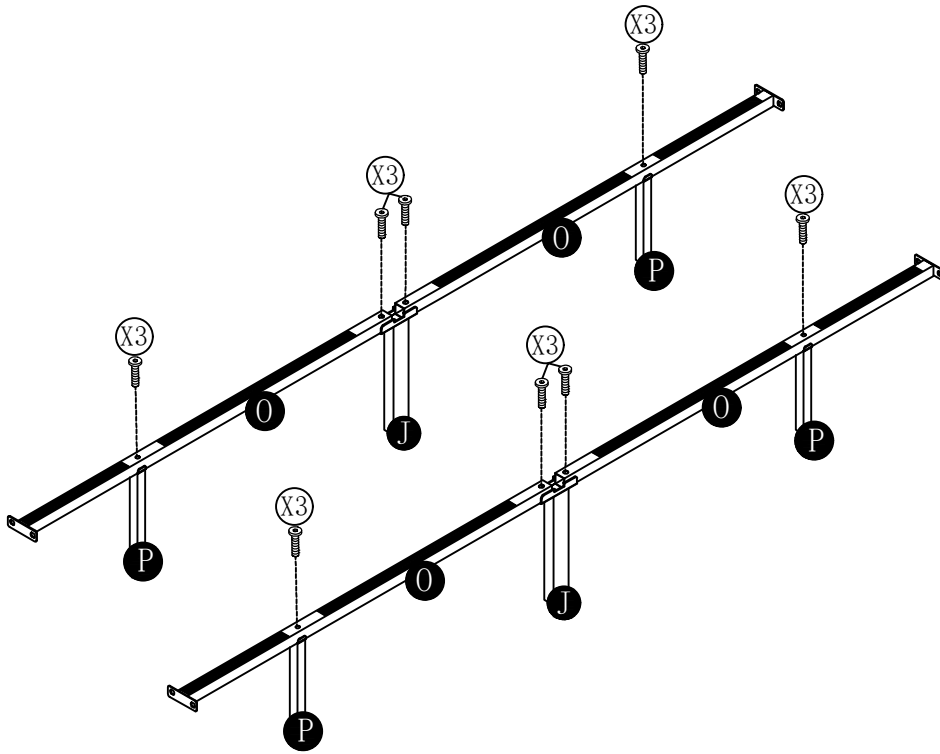
# step6

X4	4PCS
	M8*16mm

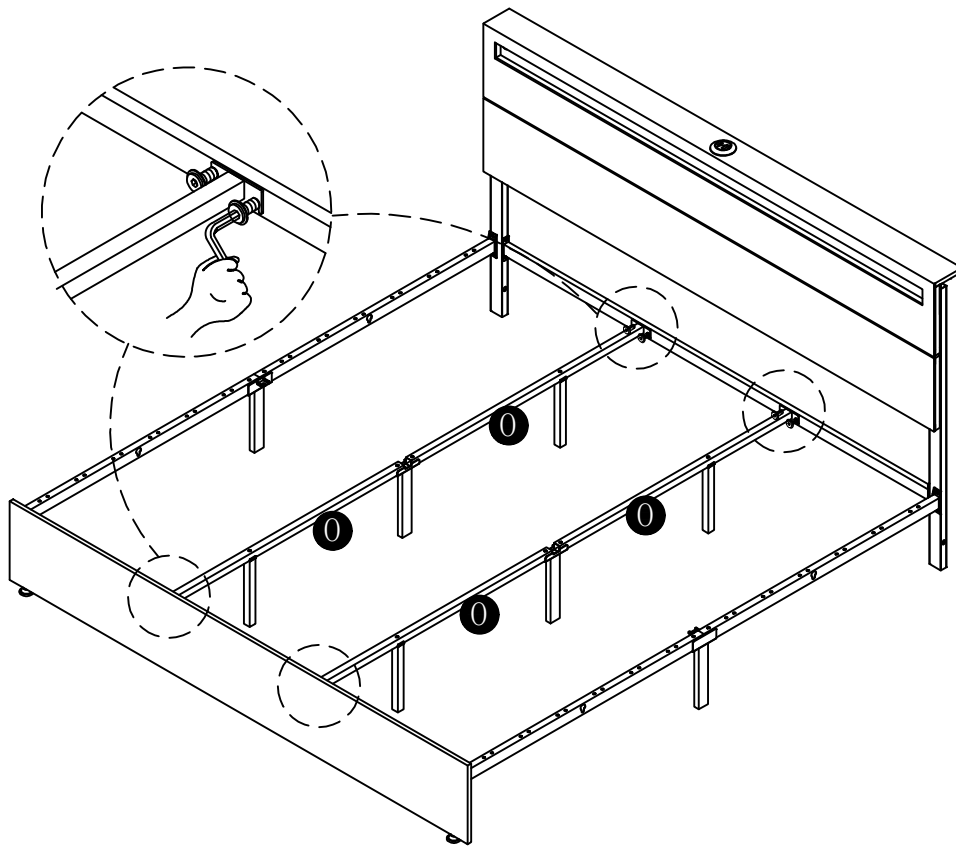


# step7

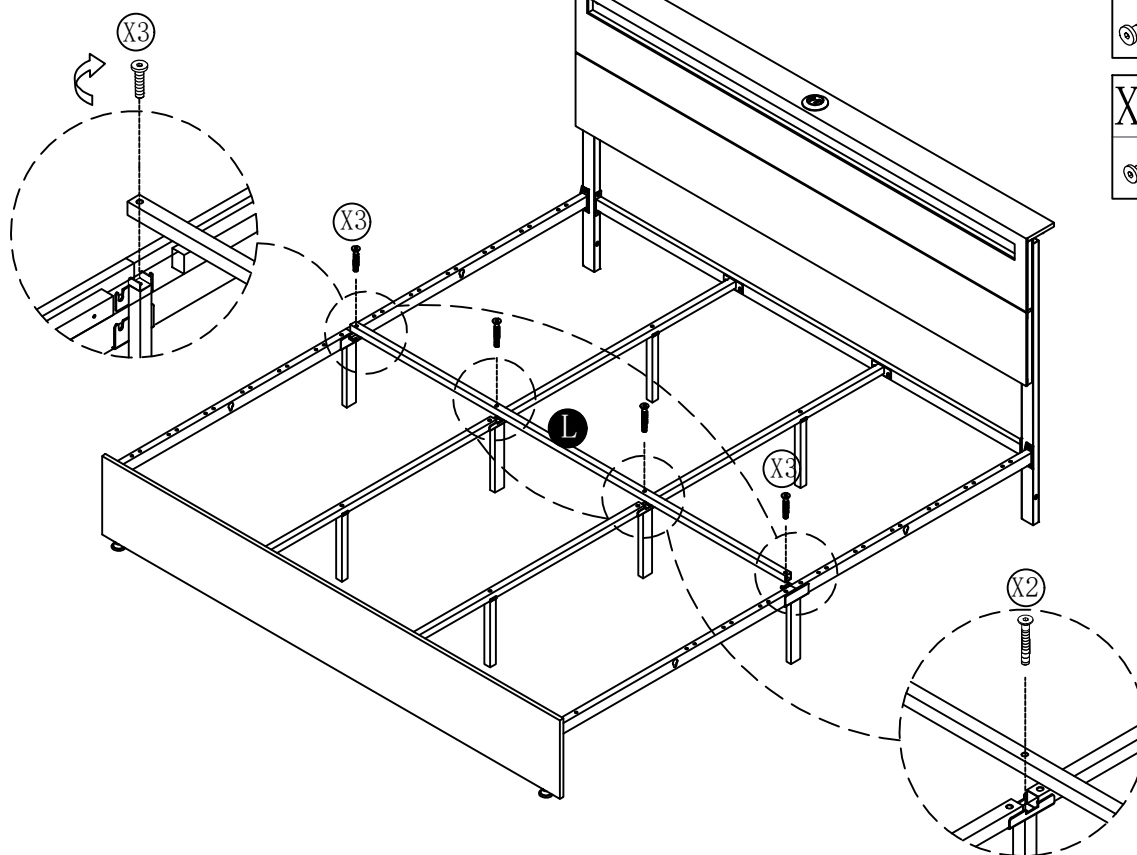
X3	8PCS
	M8*40mm





# step8



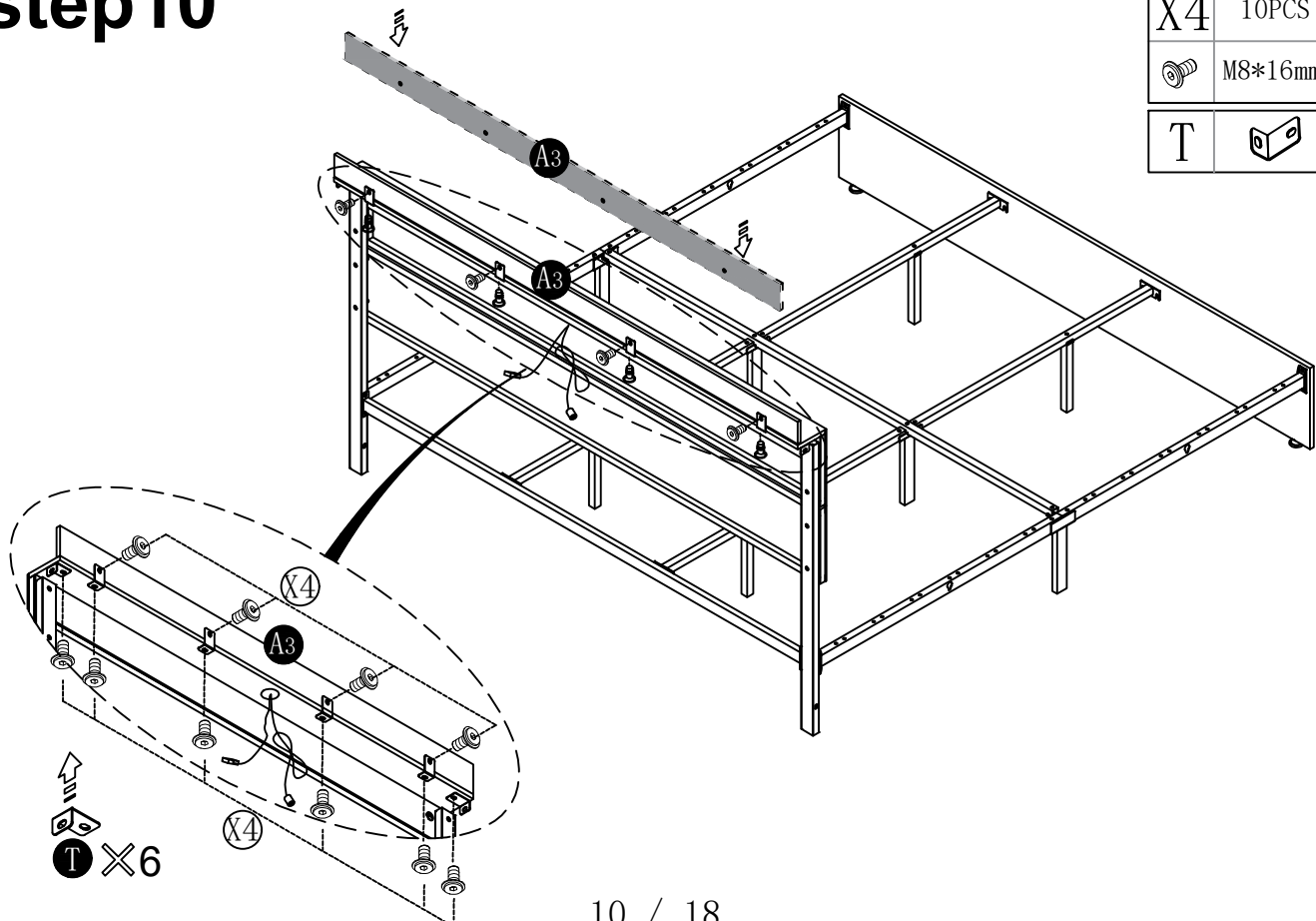
# step9




X2	2PCS
	M8*50mm


X3	2PCS
	M8*40mm

# step10




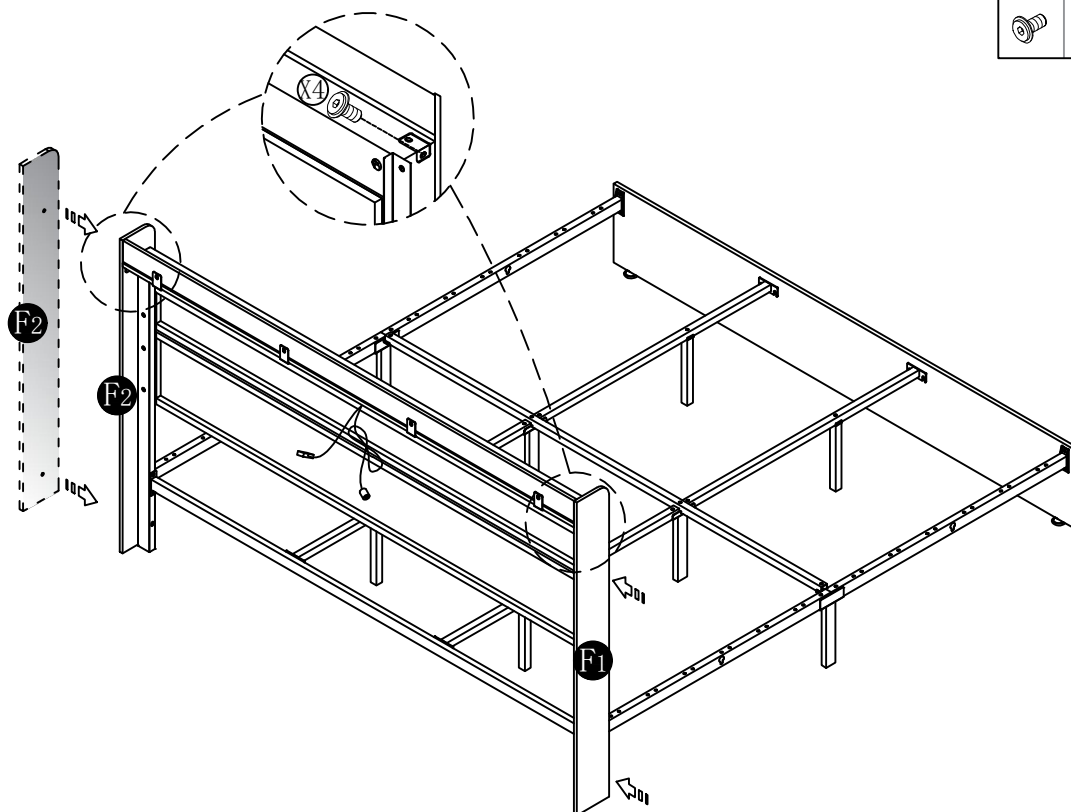
X4	10PCS
	M8*16mm

T	
---	---


 X6


# step11

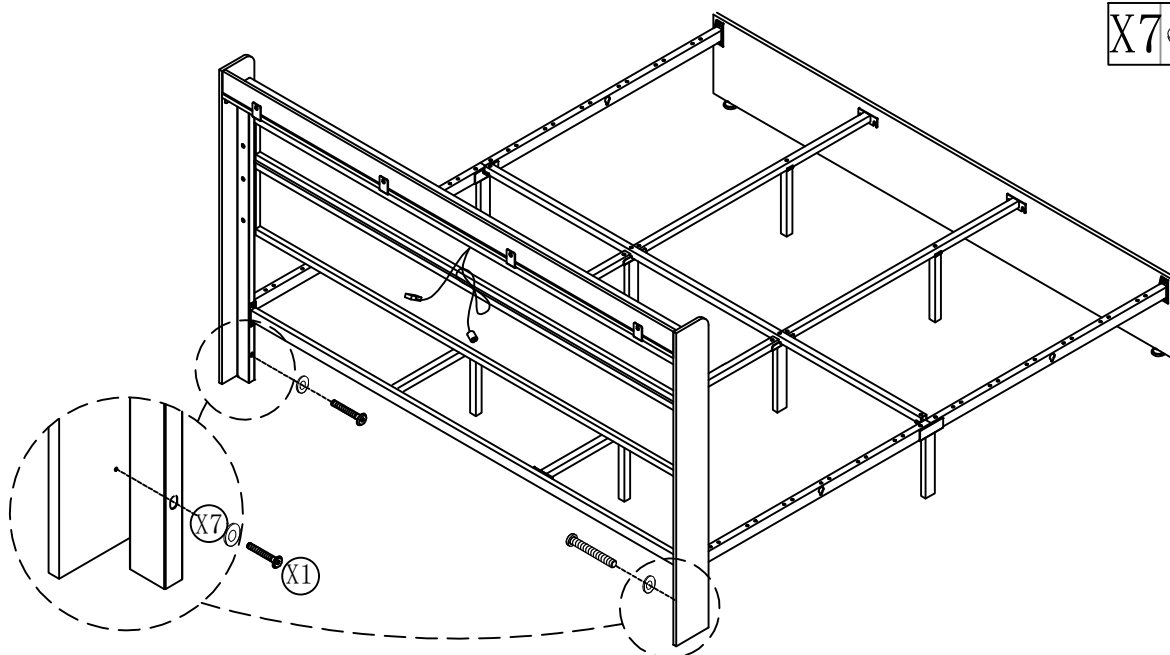
X4	2PCS
	M8*16MM



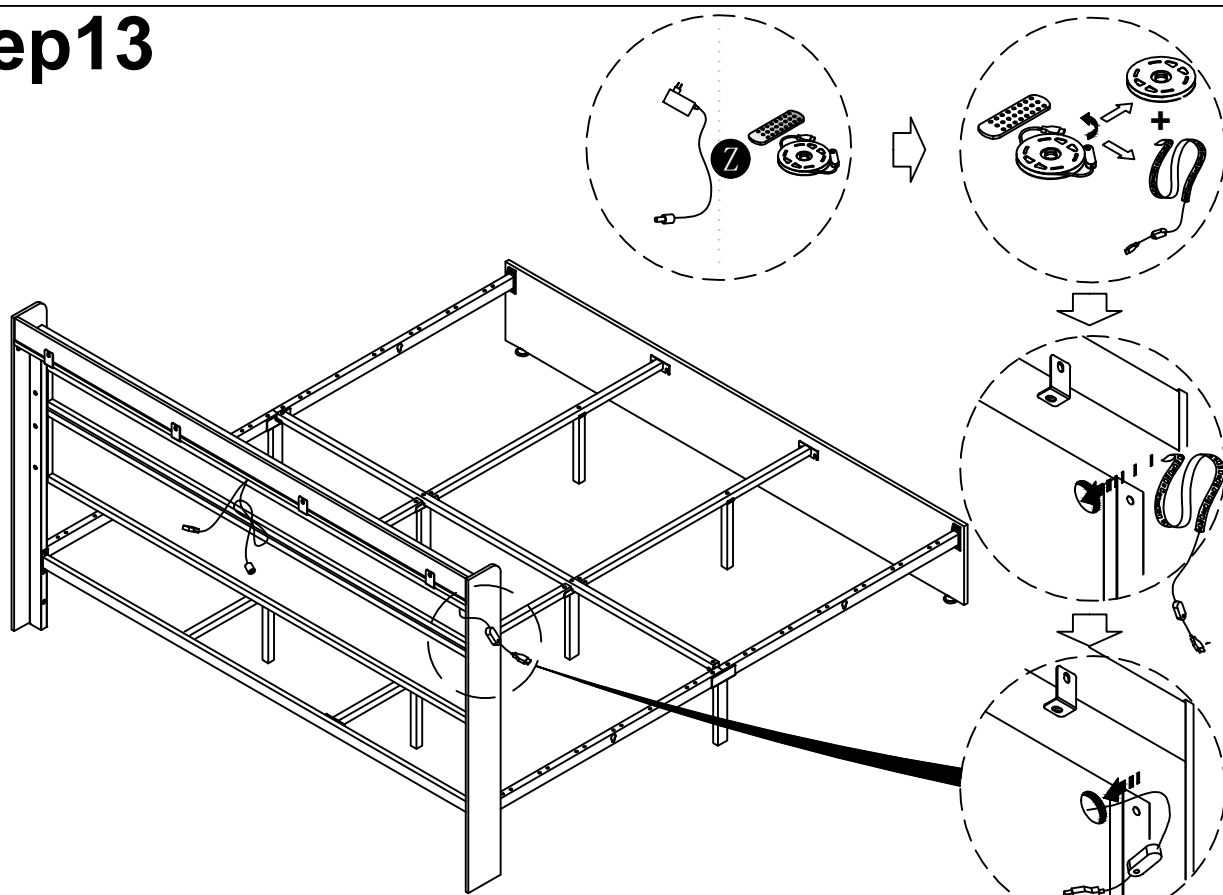
# step12

X1	2PCS
	M8*65mm

X7	2PCS
	

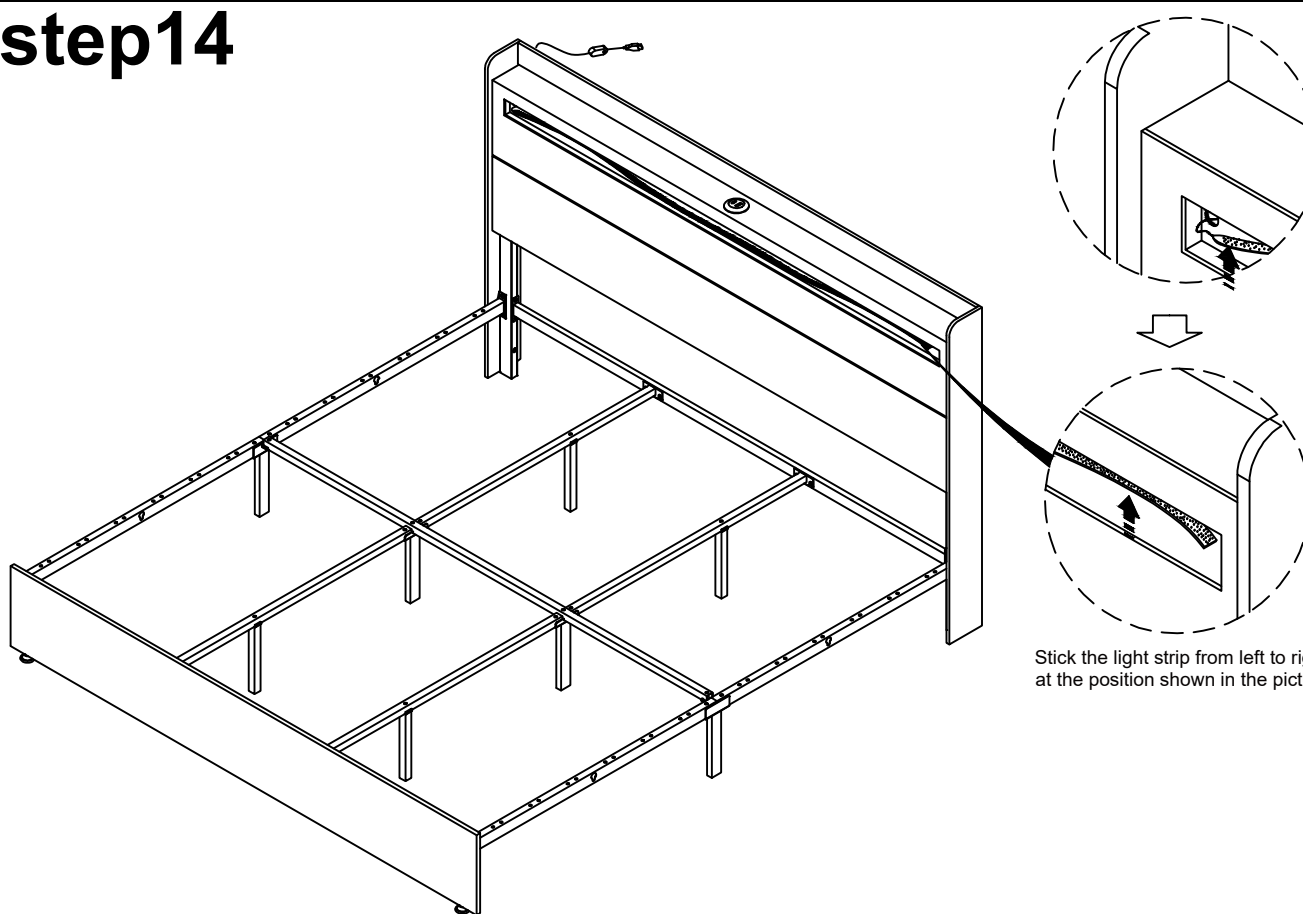


# step13



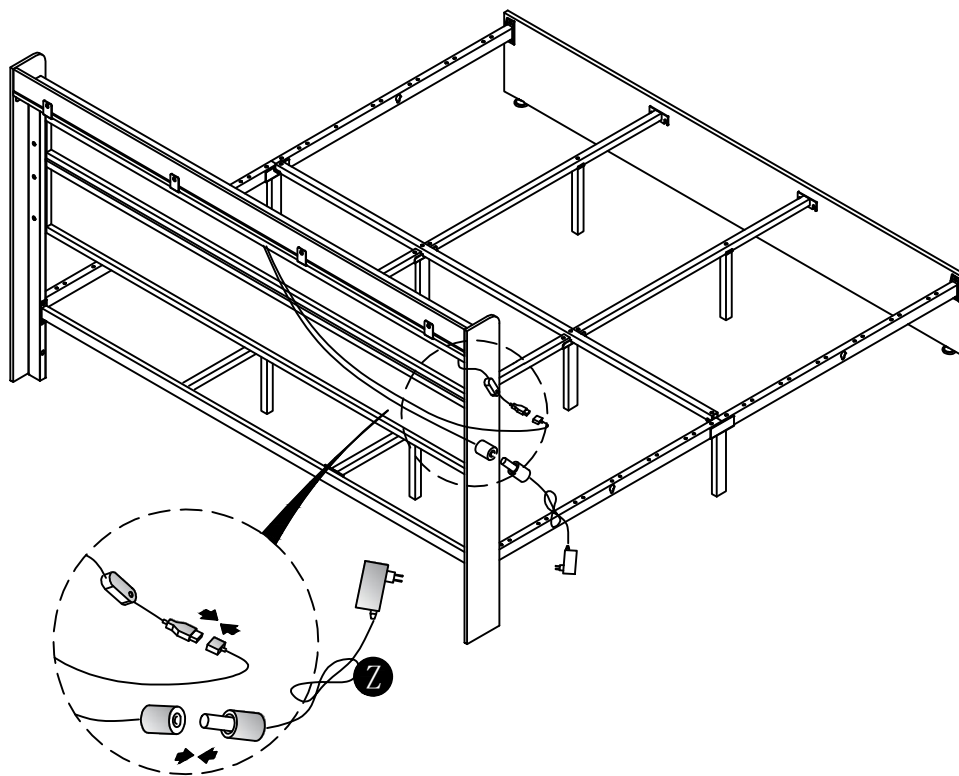
From the tail end of the light strip, pass through the wiring harness hole

# step14

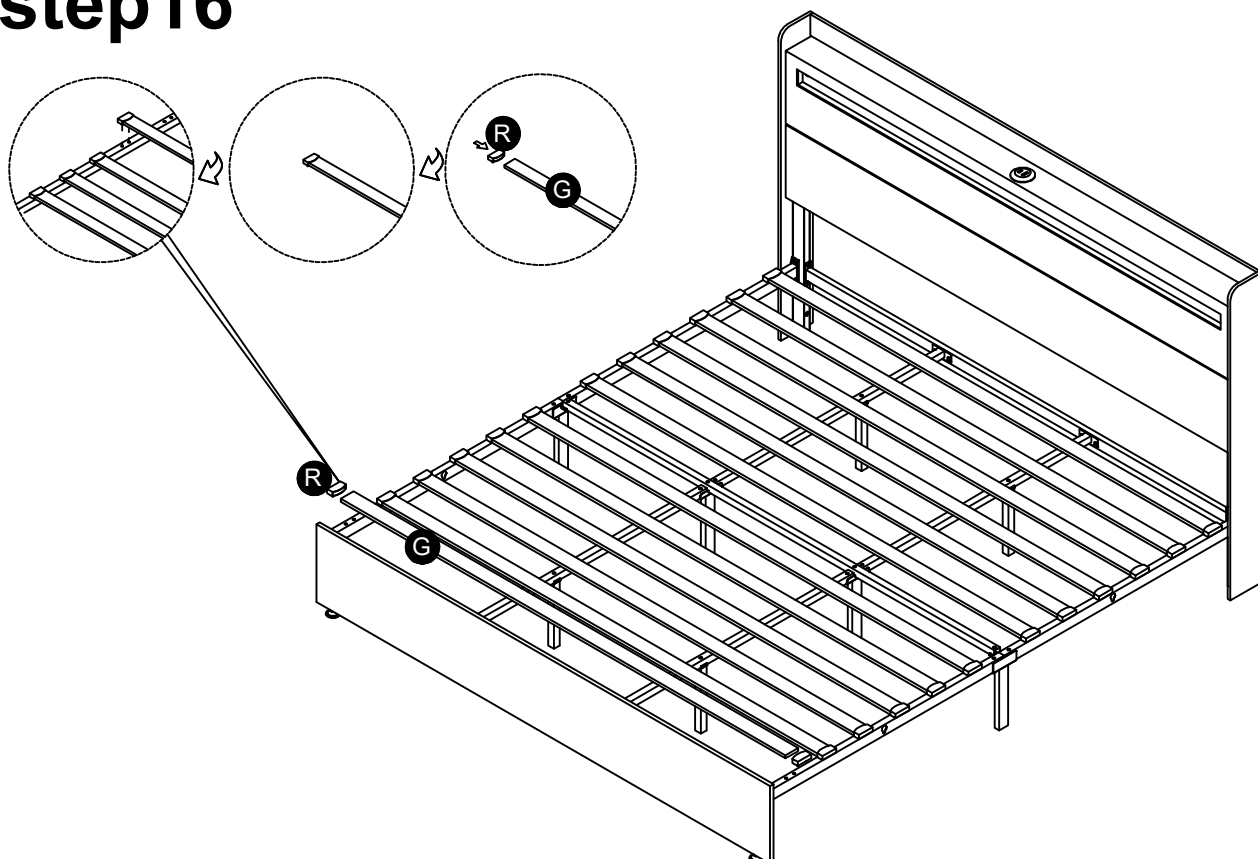


Stick the light strip from left to right at the position shown in the picture.

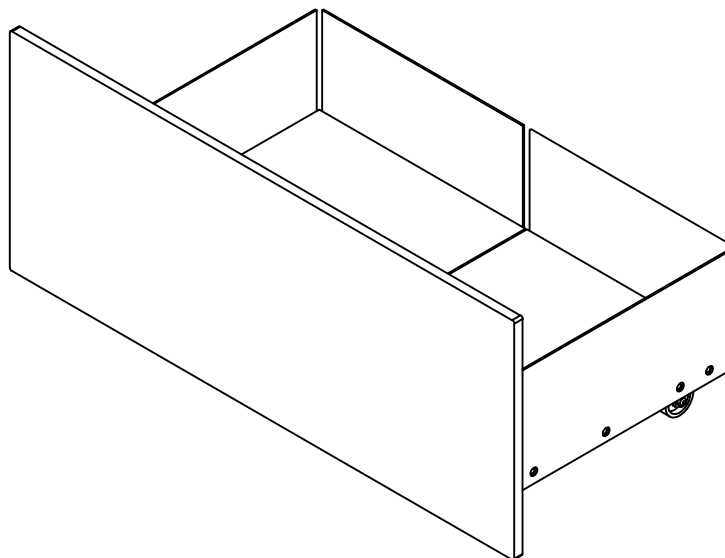
# step15



# step16

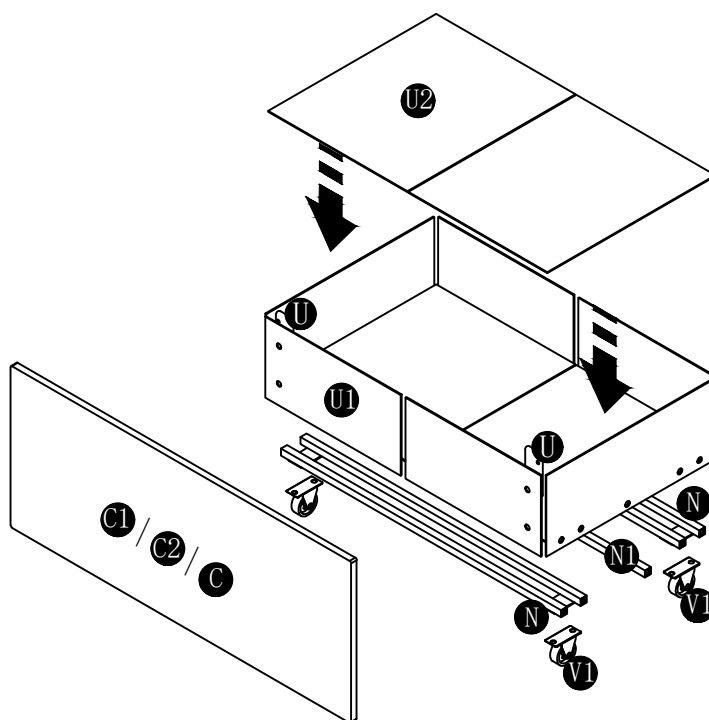


## step17



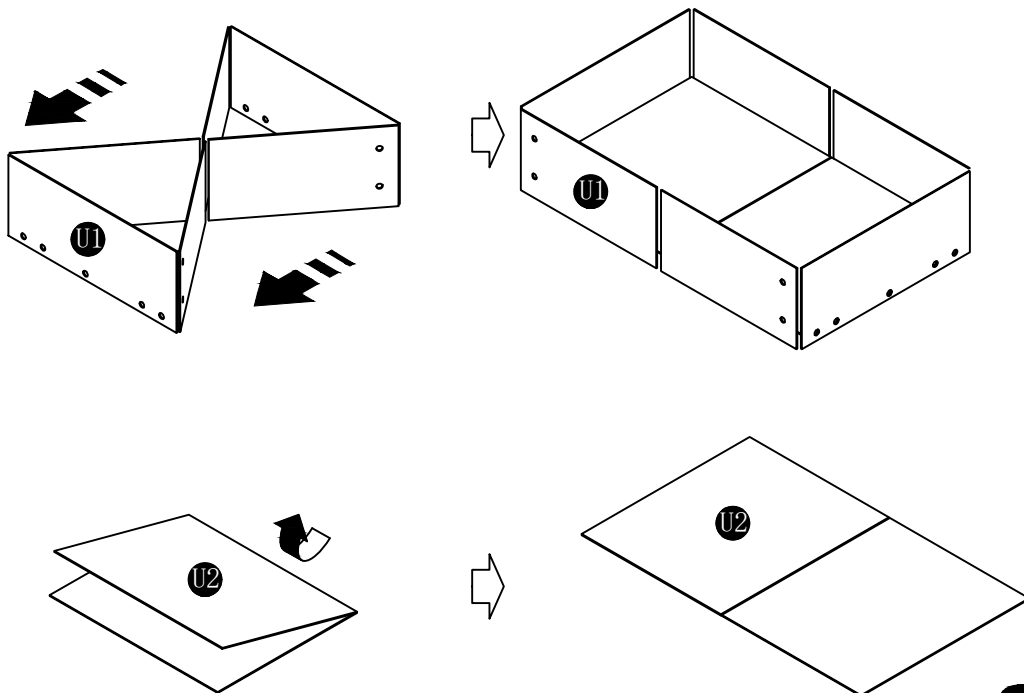
·Drawer Installation Steps

## step18





×4

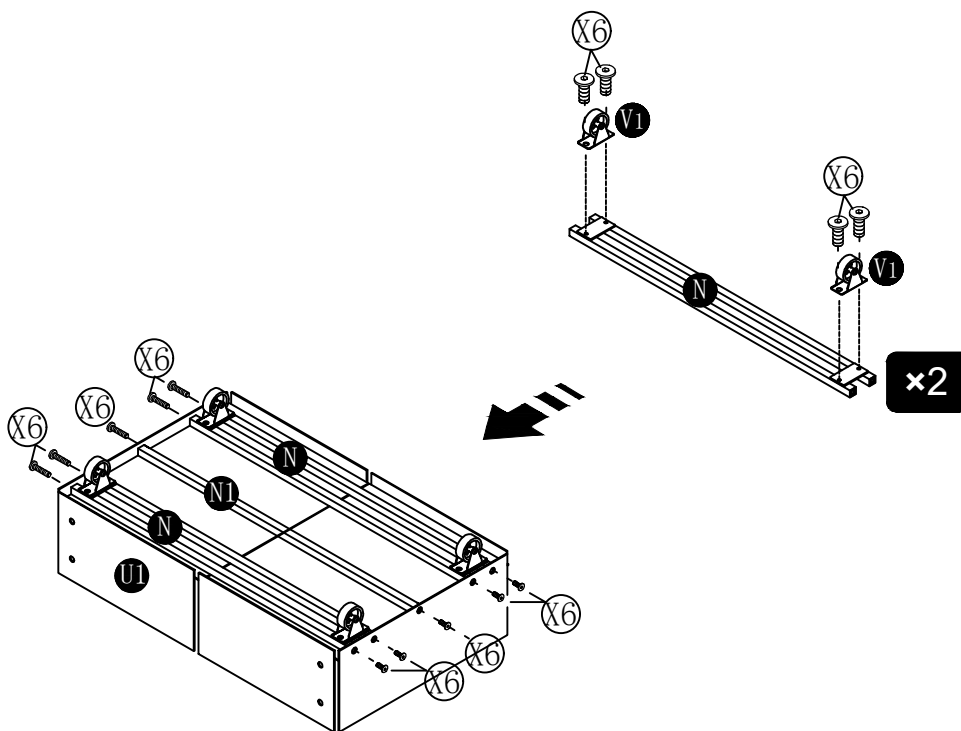
# step19



**×4**

# step20

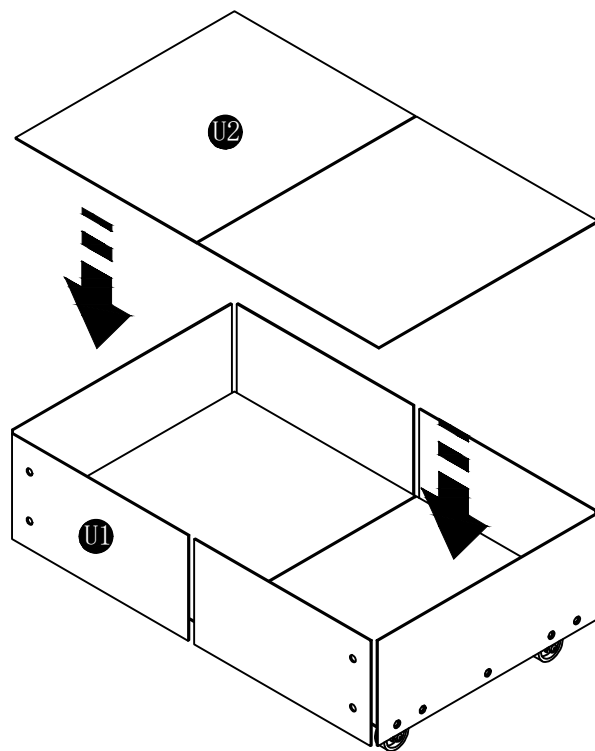
X6	72PCS
	M6*14mm
V1	16PCS
	



**×2**

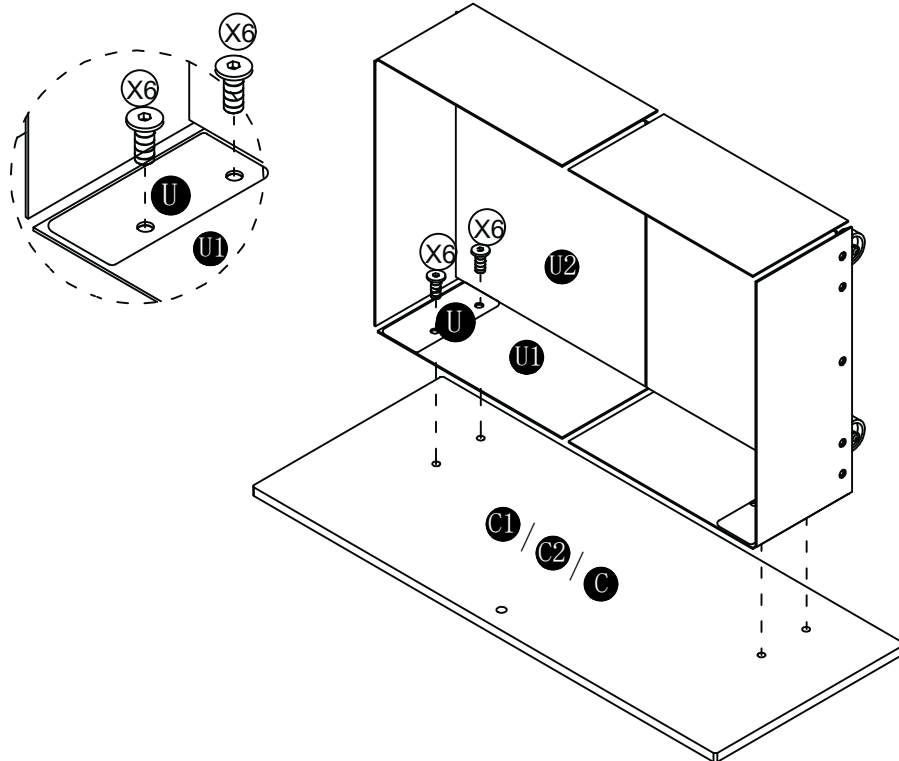
**×4**


# step21



**×4**



# step22

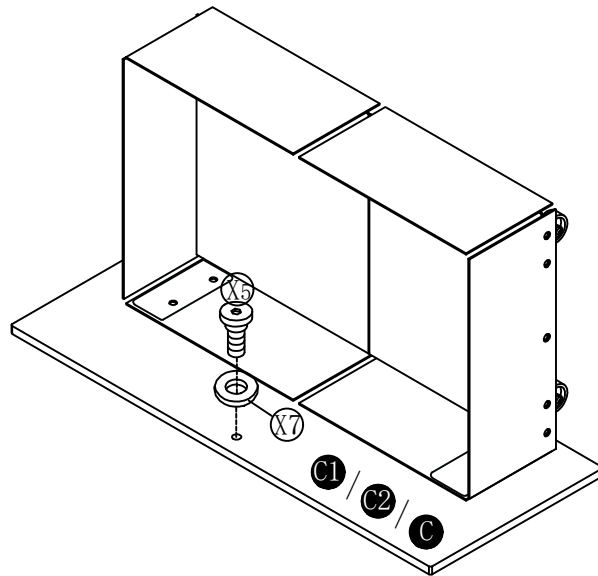


X6	16PCS
	M6*14mm

**×4**

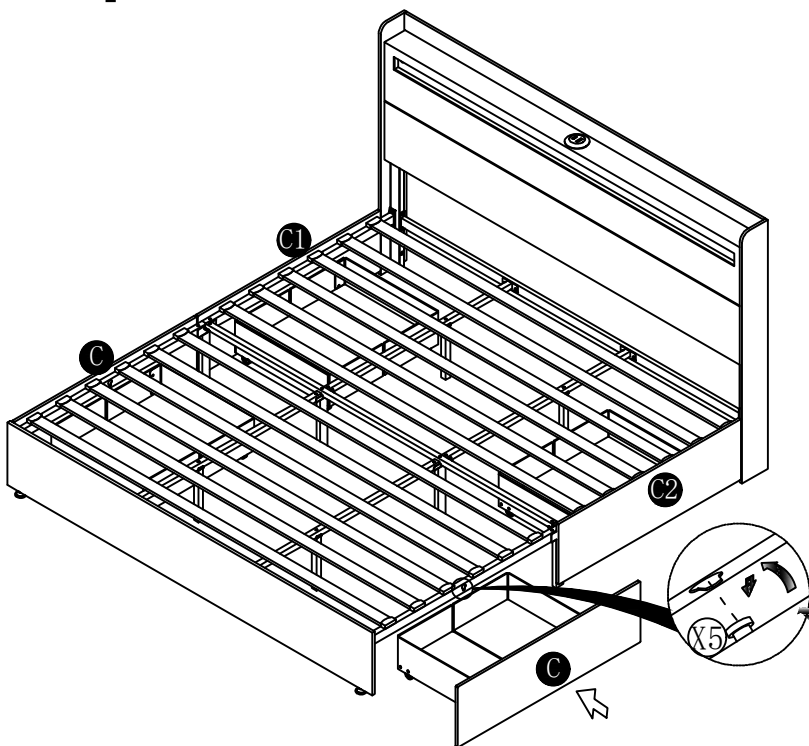
# step23

X5	4PCS
	M8*12mm
X7	4PCS
	




**×4**

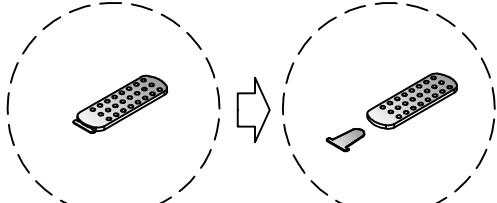
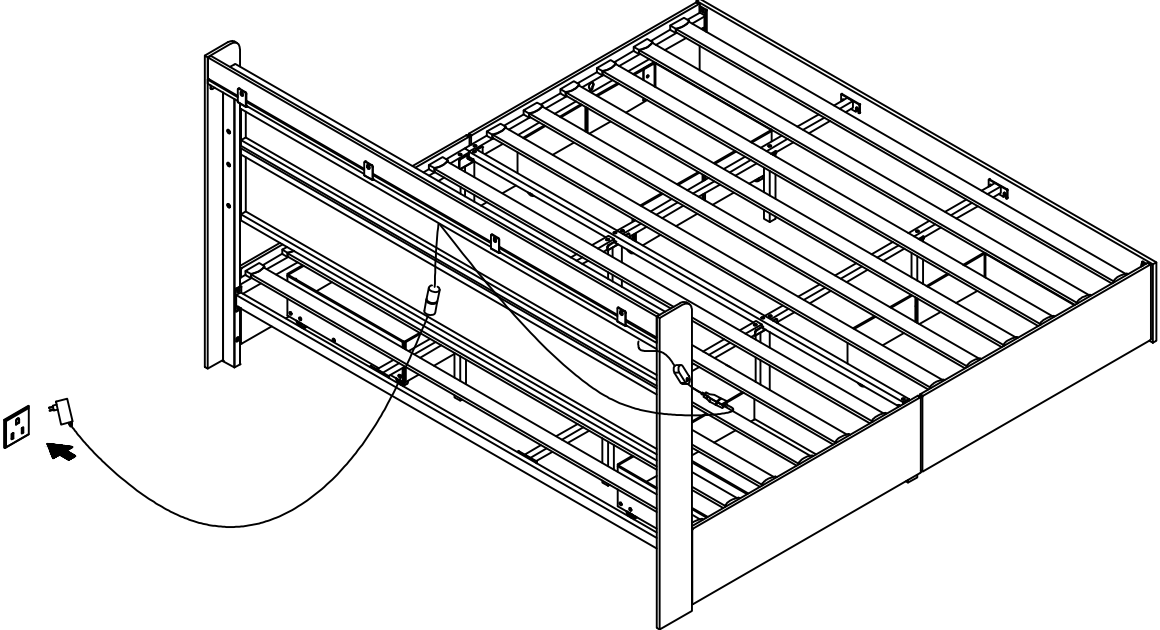
# step24



C1	:	:
C2	:	:
C	:	:

Lift the panel to allow the X5 to match the hole  to secure the drawers.  
Same way for pulling out.

# step25



Remove the plastic pad