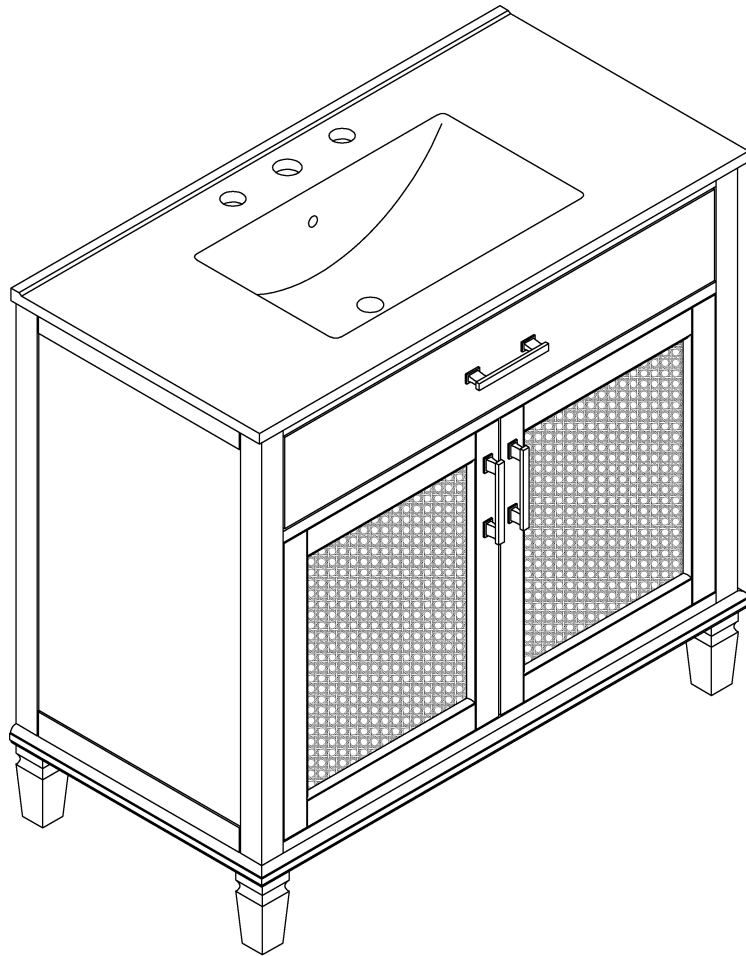


# ASSEMBLY INSTRUCTIONS


## BATH VANITY-CABINET

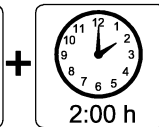
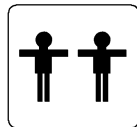
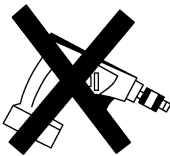


Thank you for purchasing this quality product. Be sure to check all packing material carefully for small parts which may have come loose inside the carton during shipment. Separate, identify and count all parts and hardware.

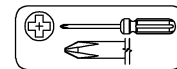
Compare with the parts list to be sure all parts are present.

**DO NOT TIGHTEN SCREWS UNTIL COMPLETELY ASSEMBLED**

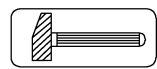
  
\*Use of power tool to assemble this product will invalidate any claim and damage this product making unsafe!!!  
\* Please assemble on a clean soft surface to avoid damage.



### Tools Required



(Not included)



(Not included)

**IMPORTANT:**  
**PLEASE READ INSTRUCTION BEFORE STARTING THE ASSEMBLY**

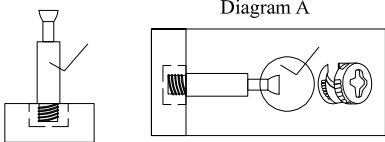
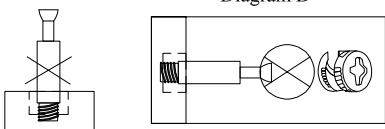
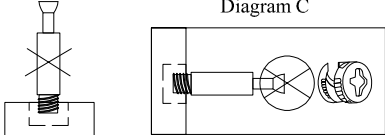
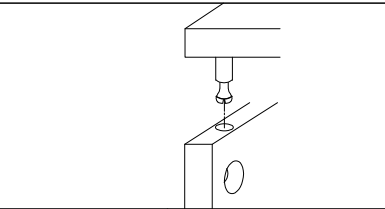
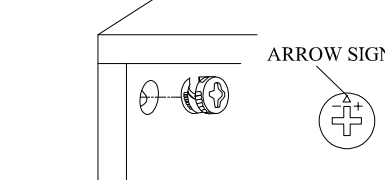
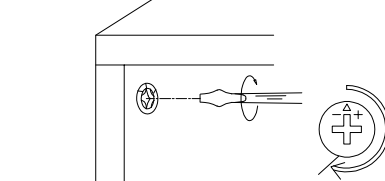
# Before Installation

Important- Please read these instructions fully before starting assembly

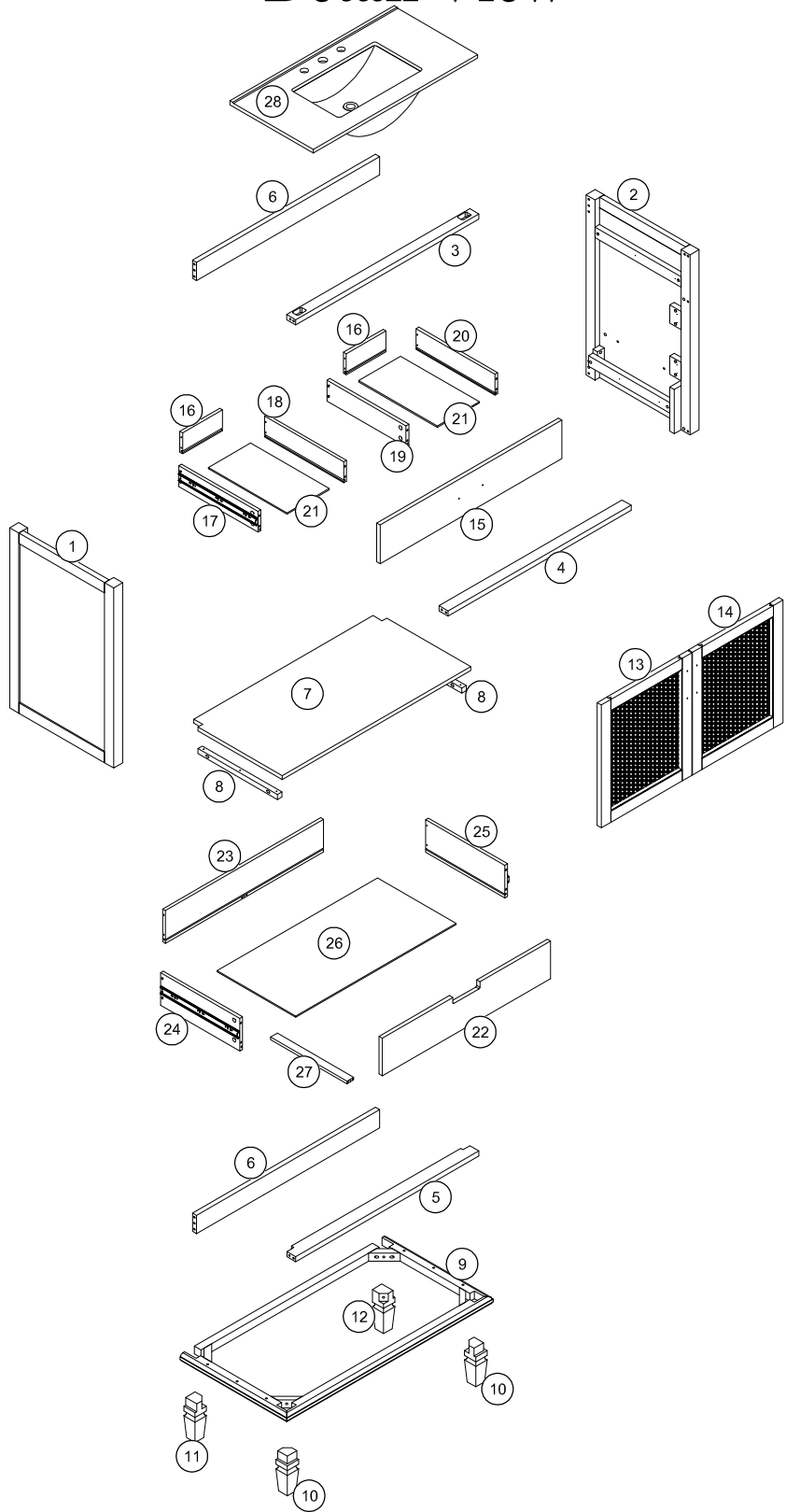
Thank you for purchasing this quality product. Be sure to check all packing materials carefully for small parts, which may have come loose inside the carton during shipment. Identify and count all items according to the PARTS LIST and/or HARDWARE LIST shown below. Check you have all the components and tools listed on the following pages.

- We recommend that you assemble this product with the assistance of another person; this will make the assembly easier, and will help eliminate damage to the product or injury to persons during assembly.
- Please do not over tighten screws or bolts until the assembly is completed.
- Keep children and animal away from the work area, small parts could choke if swallowed.
- Please put all parts on a non-abrasive floor before assembly, and follow the assembly steps to assemble your newly purchased product correctly and efficiently.

## Cam Lock Assembly Instructions

	<p>Diagram A</p> <p>Insert Cam Ball into hole as shown in diagram A.</p>
	<p>Diagram B</p> <p>Make sure not to insert the Cam Bolt: Too deep as shown in figure B as this will cause the cam Lock to be misaligned and unable to interlock properly.</p>
	<p>Diagram C</p> <p>Also avoid inserting the Cam Bolt too close to the surface of the hole as shown in figure C, as this will cause the Cam Lock to be too loose, and not interlock properly.</p>
	<p>Connect the panels together.</p>
	<p>ARROW SIGN</p> <p>Insert the Cam Lock so the side opening fits over the head of the Cam Bolt.</p>
	<p>To tighten the Cam Lock, turn it clockwise on half a turn with a flat screwdriver. <i>*Do not use an automatic screwdriver as it may bend or break if too much power is imposed.</i></p>

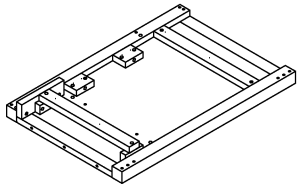
# Detail View



Identifying the Hardware-Identify the hardware using the illustrations below.

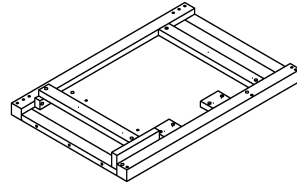
# Part Lists

1



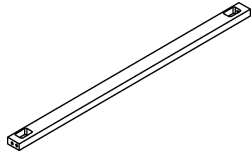
Side Panel (L) - 1pc

2



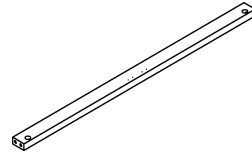
Side Panel (R) - 1pc

3



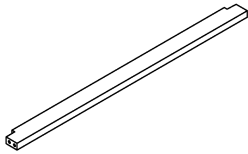
Top Front Cossbar - 1pc

4



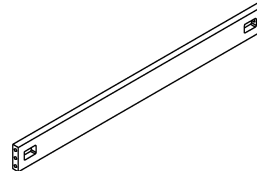
Mid Front Cossbar - 1pc

5



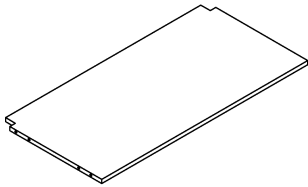
Bottom Front Cossbar - 1pc

6



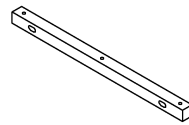
Top + Bottom Rear Crosbar - 2pcs

7



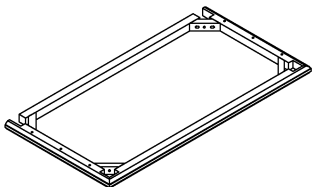
Mid Frame - 1pc

8



Support Rail - 2pcs

9



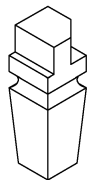
Bottom Frame - 1pc

10



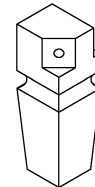
Left Front Leg + Right Front Leg - 2pcs

11



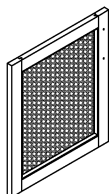
Left Back Leg - 1pc

12



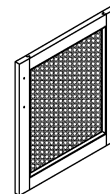
Right Back Leg - 1pc

13



Door Cabinet (L) - 1pc

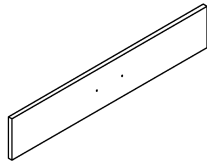
14



Door Cabinet (R) - 1pc

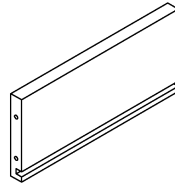
# Part Lists

15



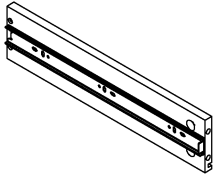
Top Drawer Face - 1pc

16



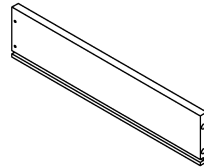
Rear Top Drawer panel - 2pcs

17



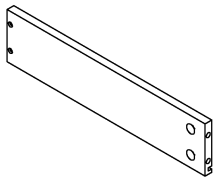
Side Top Drawer Panel (L) - 1pc

18



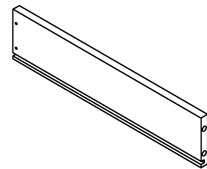
Side Top Drawer Panel (R) - 1pc

19



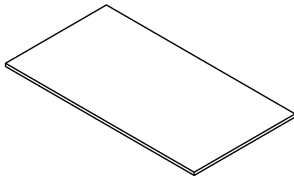
Side Top Drawer Panel (L) - 1pc

20



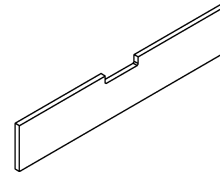
Side Top Drawer Panel (R) - 1pc

21



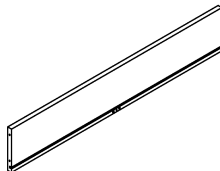
Bottom Panel - 2pcs

22



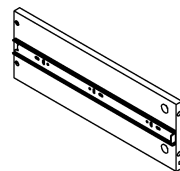
Bottom Drawer Face - 1pc

23



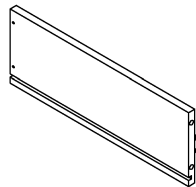
Rear Bottom Drawer panel - 1pc

24



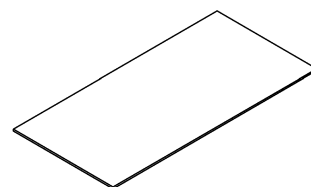
Side Bottom Drawer Panel (L) - 1pc

25



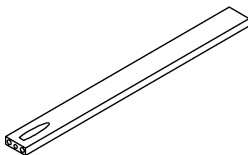
Side Bottom Drawer Panel (R) - 1pc

26



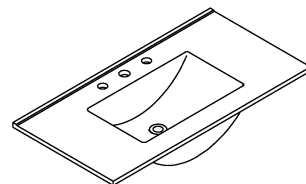
Bottom Panel - 1pc

27



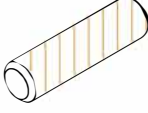
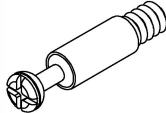
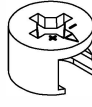
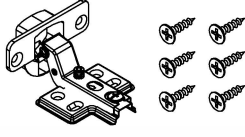
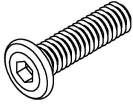
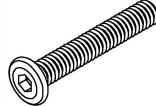
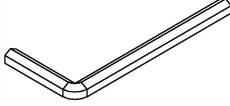
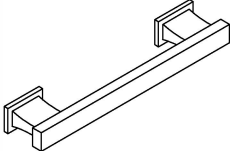
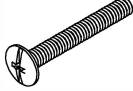

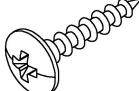


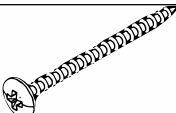
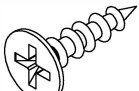
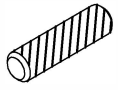
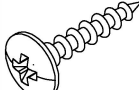
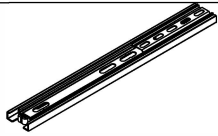



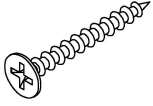
Bottom Jamb Drawer - 1pc

28

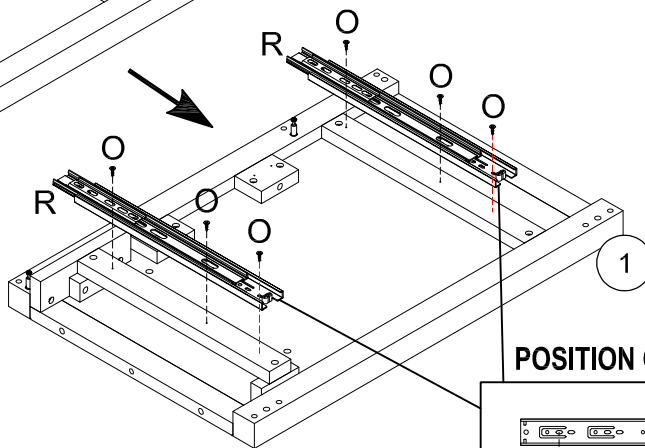
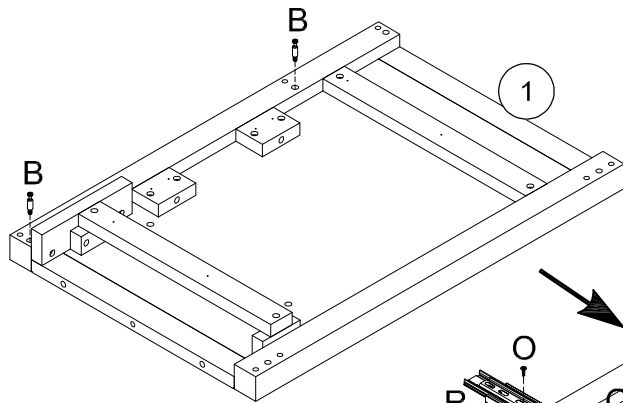
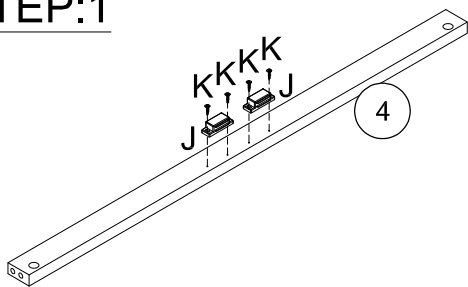


Sink - 1pc

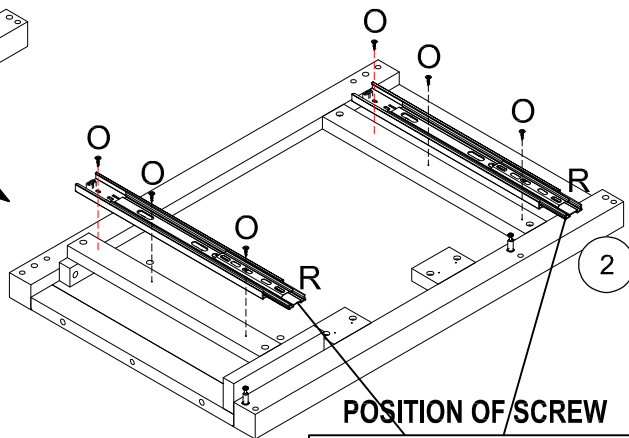
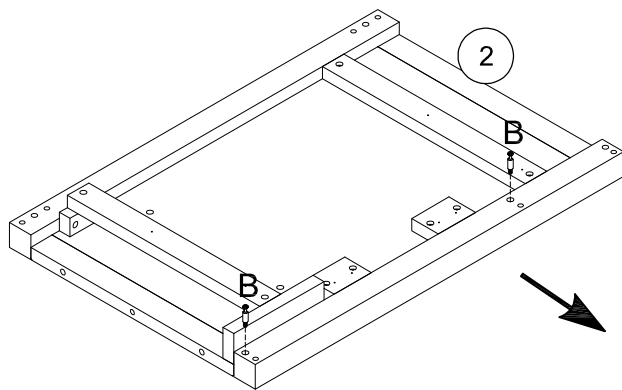
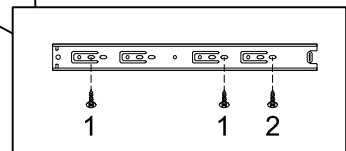
# Hardware Lists

<p><b>A</b></p>  <p>Ø8*30mm</p>	<p><b>B</b></p>  <p>Ø6*32mm</p>	<p><b>C</b></p>  <p>Ø14.5*9.5mm</p>
Wood dowel (16pcs)+1Pc      Three in one bolts (16pcs)+1Pc      Three in one locks (16pcs)+1Pc		
<p><b>D</b></p>  <p>Damping hinge (4 sets)</p>	<p><b>E</b></p>  <p>Ø13xM6*30mm</p>	<p><b>F</b></p>  <p>Ø13xM6*50mm</p>
Hex-Head bolt (14pcs)+1Pc      Hex-Head bolt (4pcs)+1Pc		
<p><b>G</b></p>  <p>K4mm</p>	<p><b>H</b></p>  <p>Handle (3pcs)</p>	<p><b>I</b></p>  <p>Ø8xM4*20mm</p>
Allen key (1pc)+1Pc      Handle screw (6pcs)		
<p><b>J</b></p>  <p>45*12*1mm 45*17*14mm</p>	<p><b>K</b></p>  <p>Ø8xØ3.5*15mm</p>	<p><b>L</b></p>  <p>Ø8xØ3.5*15mm</p>
Plastic Door Magnet (2 sets)      Round head screw (4pcs)+1Pc      Flat head screw (4pcs)+1Pc		
<p><b>M</b></p>  <p>Ø10*10mm</p>	<p><b>N</b></p>  <p>Ø8xØ4*35mm</p>	<p><b>O</b></p>  <p>Ø8xØ3.5*12mm</p>
Plastic Canopy (12pcs)+1Pc      Round head screw (12pcs)+1Pc      Flat head screw (12pcs)+1Pc		
<p><b>P</b></p>  <p>Ø6*20mm</p>	<p><b>Q</b></p>  <p>Ø8xØ3.5*20mm</p>	<p><b>R</b></p>  <p>Black slide Rail (4 pcs)</p>
Wood dowel (4pcs)+1Pc      Round head screw (2pcs)+1Pc		
<p><b>S</b></p>  <p>Anti fall Hardware (2 sets)</p>	<p><b>T</b></p>  <p>Spring Washers (8 pcs)+1Pc</p>	<p><b>U</b></p>  <p>Washers (8 pcs)+1Pc</p>
Washers (8 pcs)+1Pc		
<p><b>V</b></p>  <p>Ø8xØ4*25mm</p>		
Flat head screw (6pcs)+1Pc		

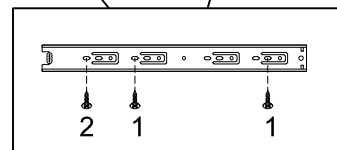
# STEP:1



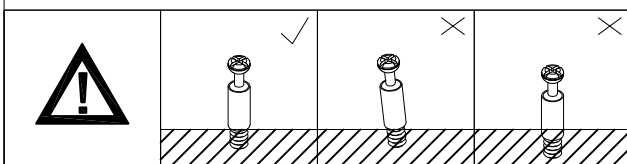
POSITION OF SCREW



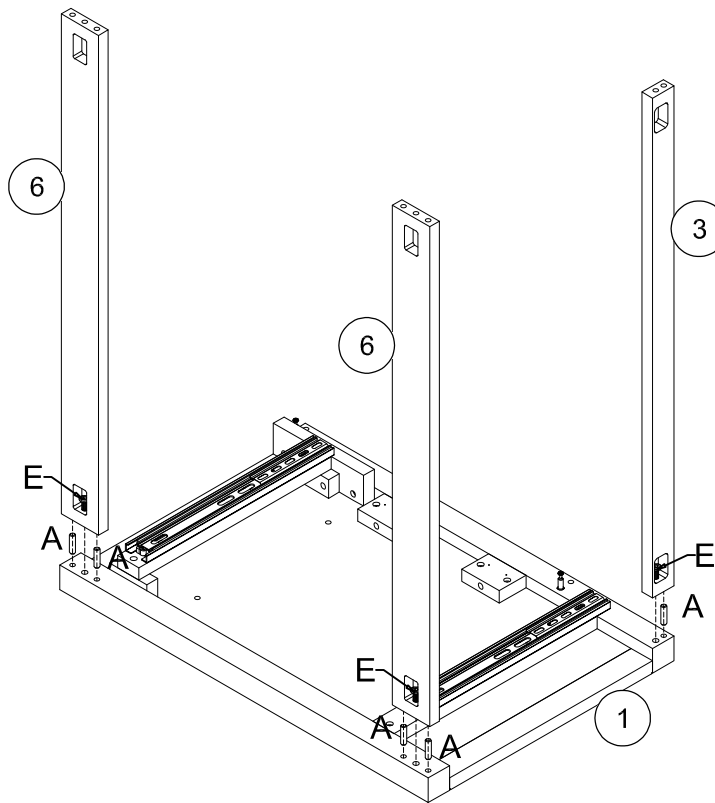
POSITION OF SCREW



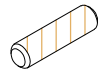
<b>O</b>	<b>B</b>
12pcs	4pcs
<b>R</b>	<b>J</b>
4pcs	2pcs
	<b>K</b>
	4pcs



## STEP:2

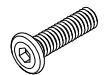


**A**



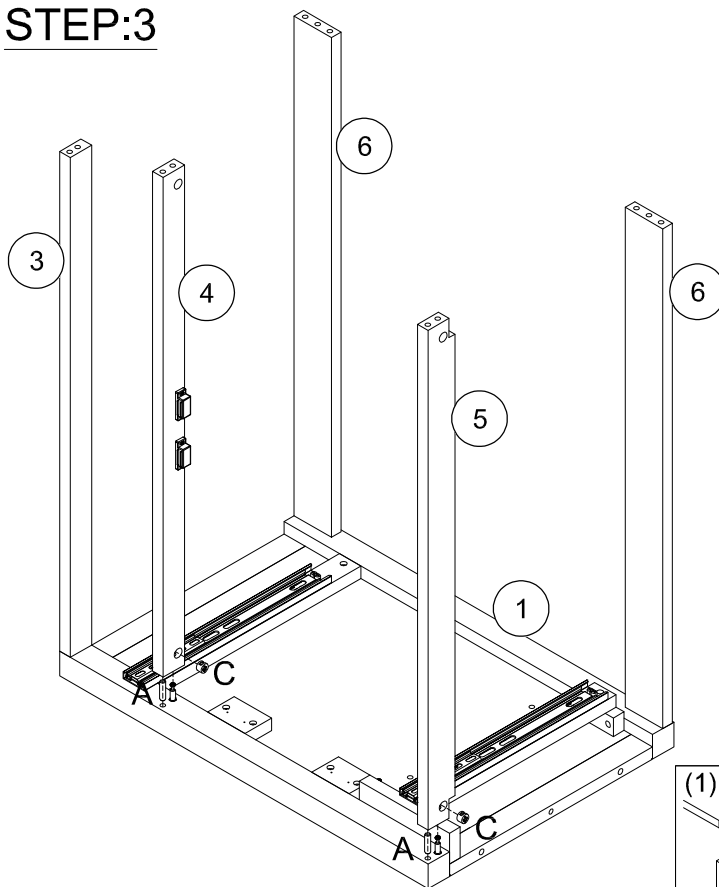
5pcs

**E**

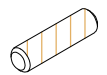


3pcs

## STEP:3

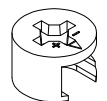


**A**

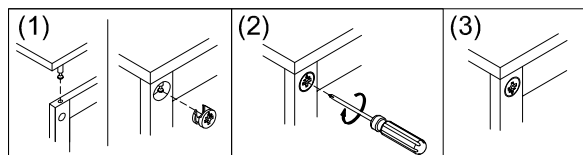


2pcs

**C**

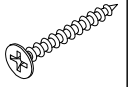


2pcs

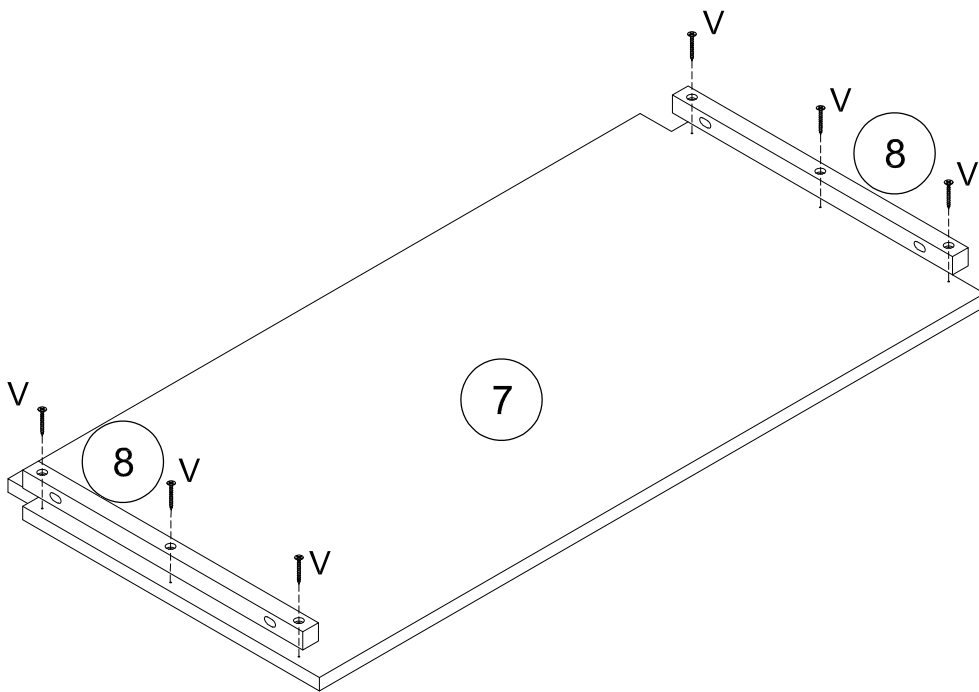


STEP:4

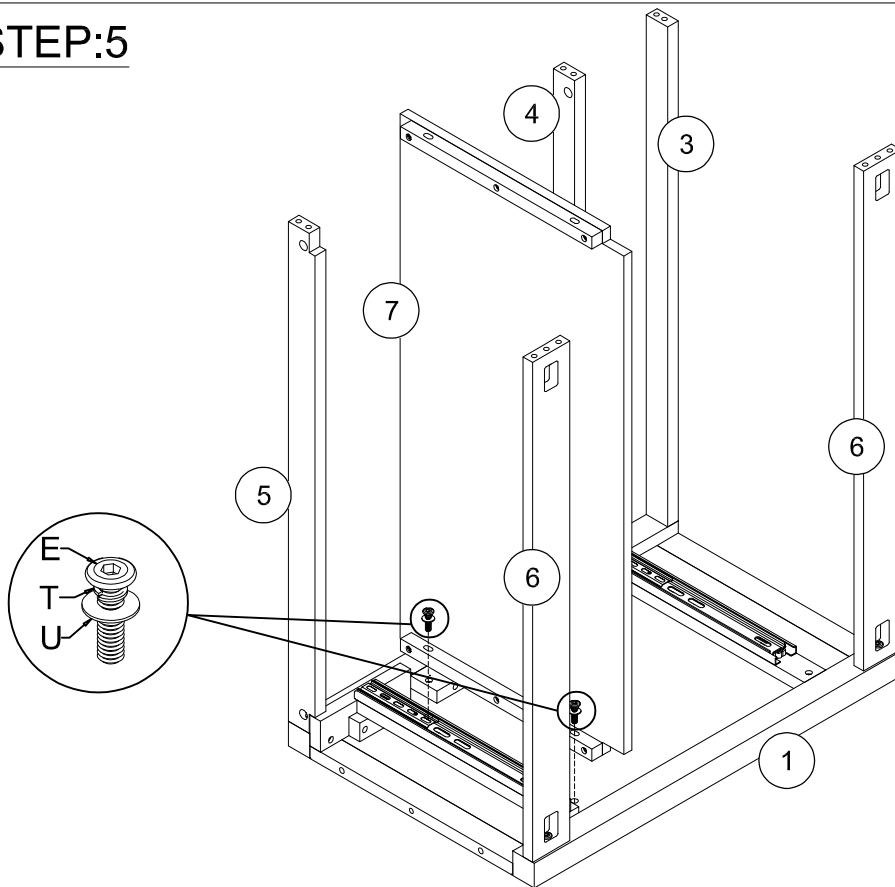
V

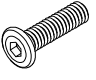
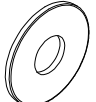
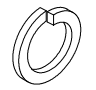


6pcs

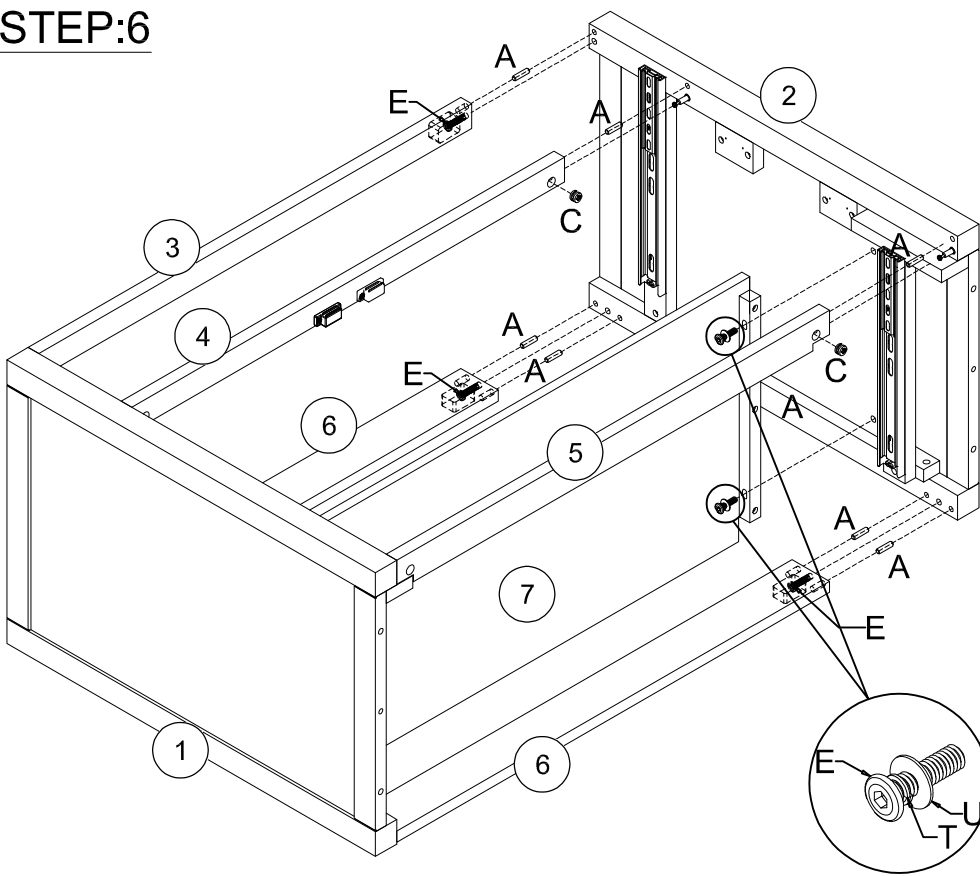


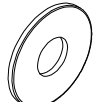
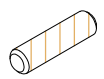

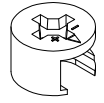

### STEP:5



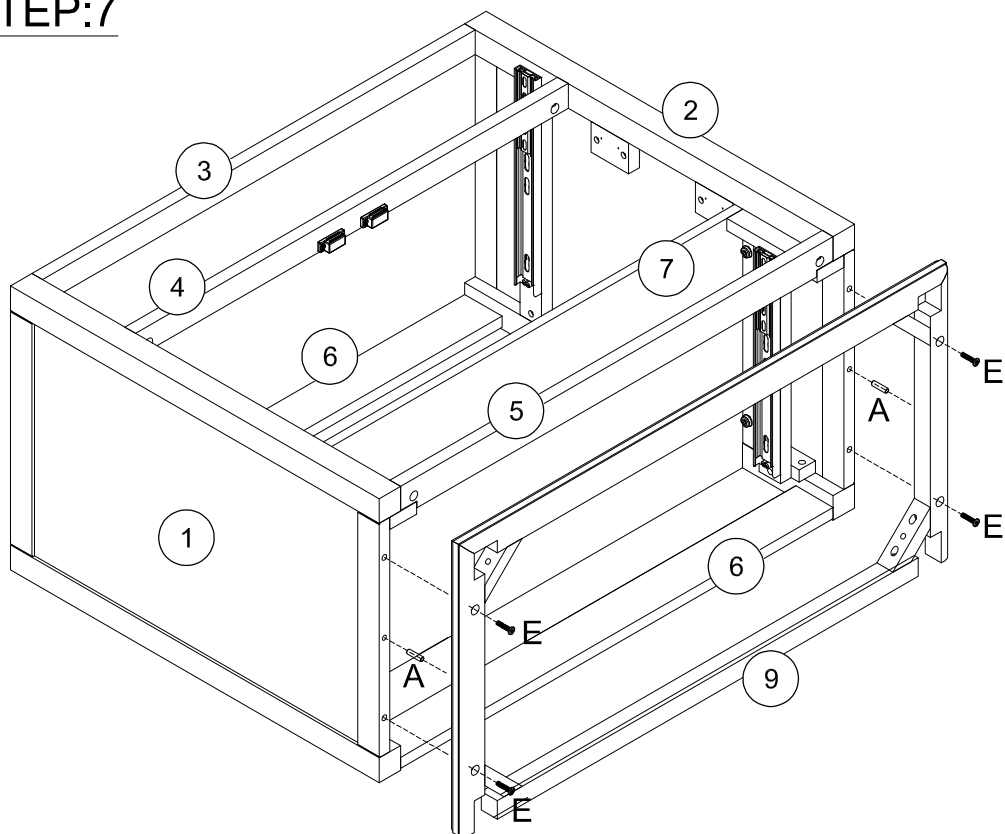
<b>E</b>	
2pcs	
<b>U</b>	
2pcs	
<b>T</b>	
2pcs	

### STEP:6



<b>U</b>		<b>A</b>	
2pcs		7pcs	
<b>T</b>		<b>C</b>	
2pcs		2pcs	
<b>E</b>			
5pcs			

# STEP:7



**A**



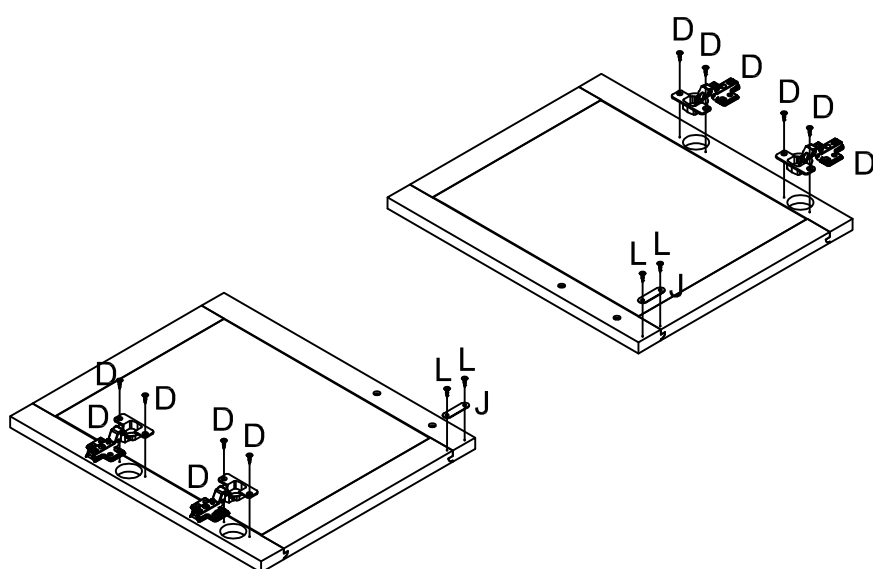
2pcs

**E**

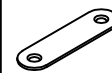


4pcs

# STEP:8



**J**



2pcs

**D**



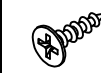
4pcs

**L**



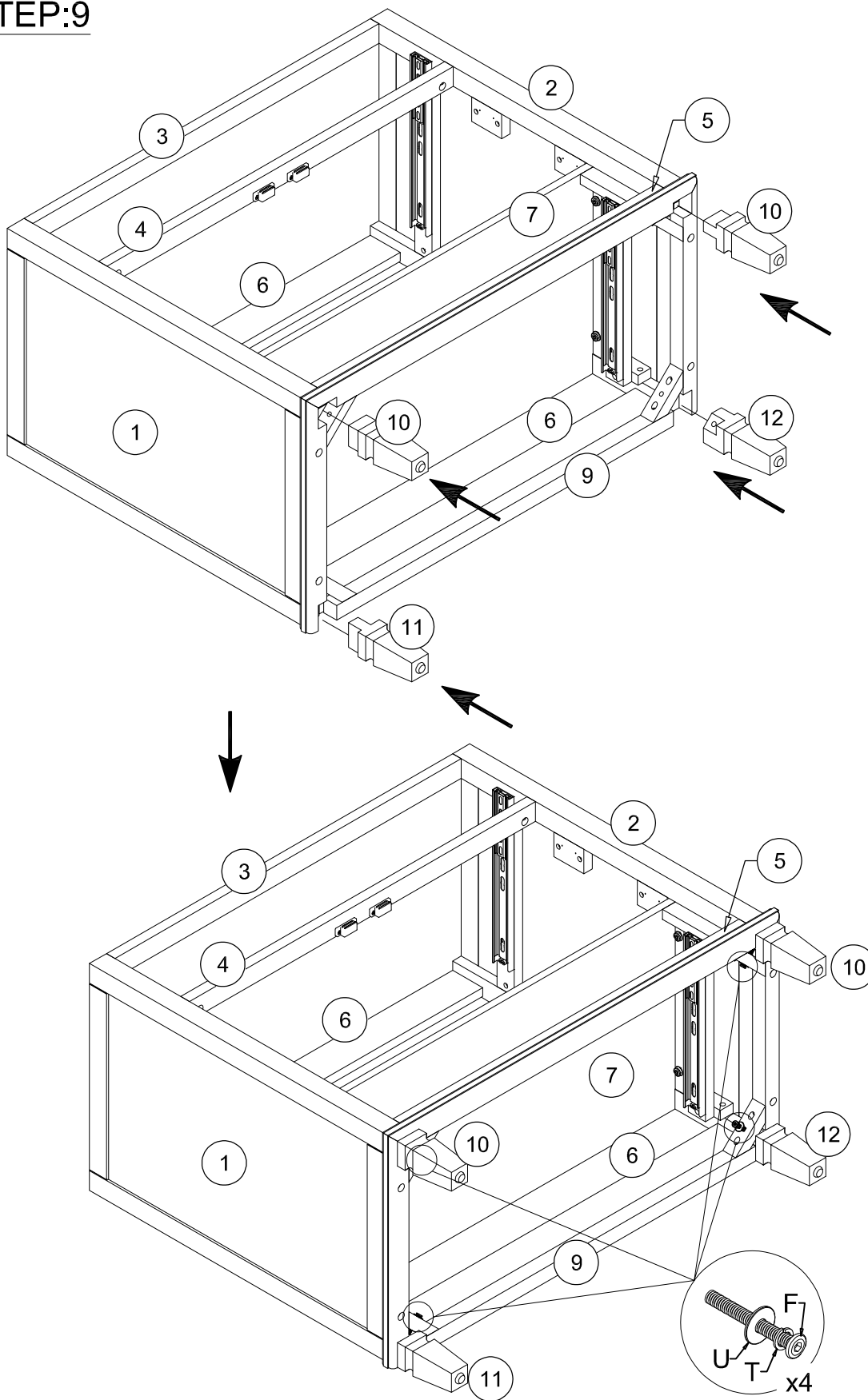
4pcs

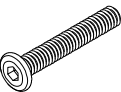


**D**



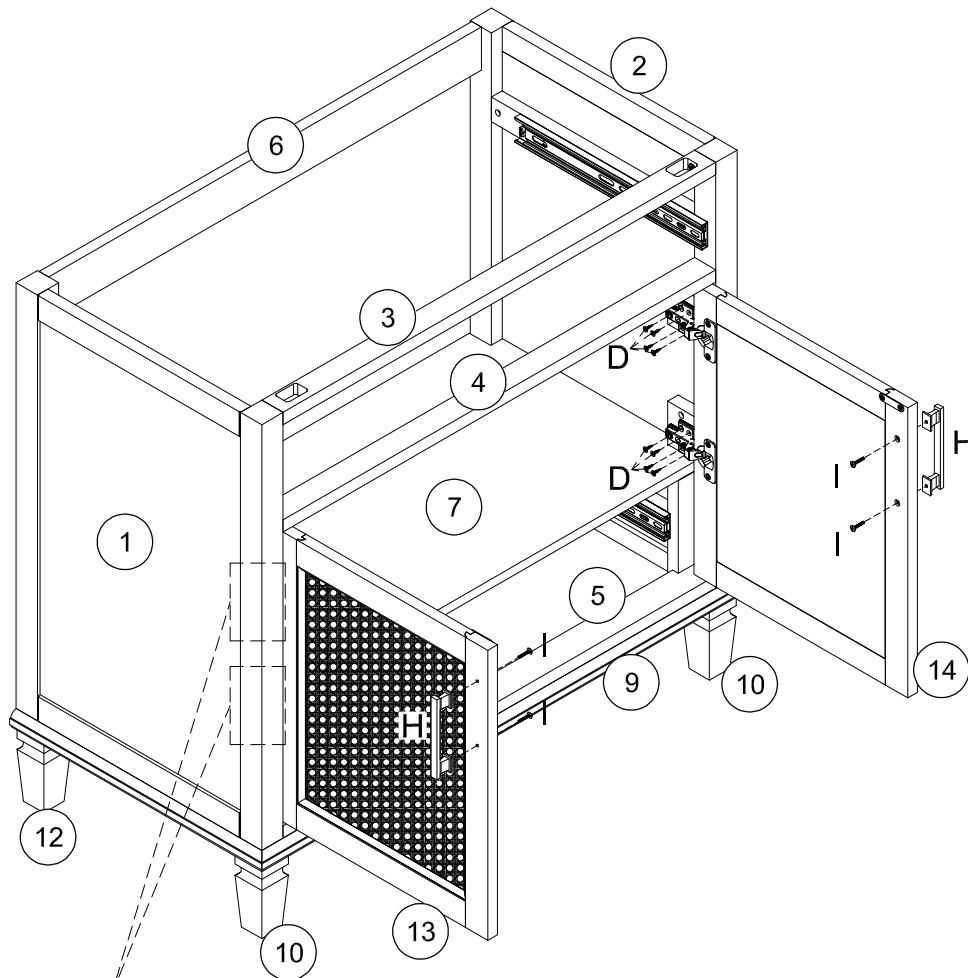
8pcs

# STEP:9



- F**  
  
4pcs
- T**  
  
4pcs
- U**  
  
4pcs

# STEP:10

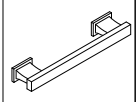


D



16pcs

H

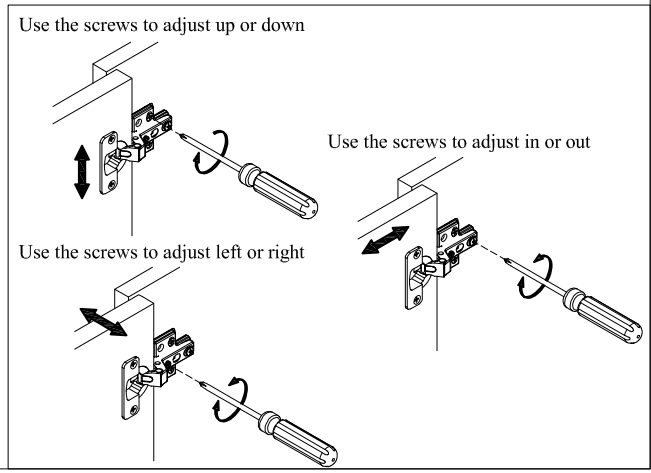
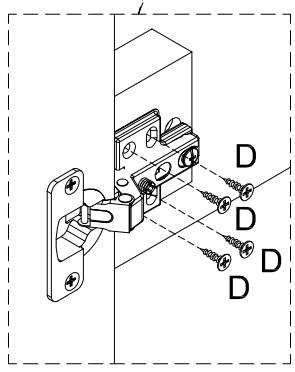


2pcs

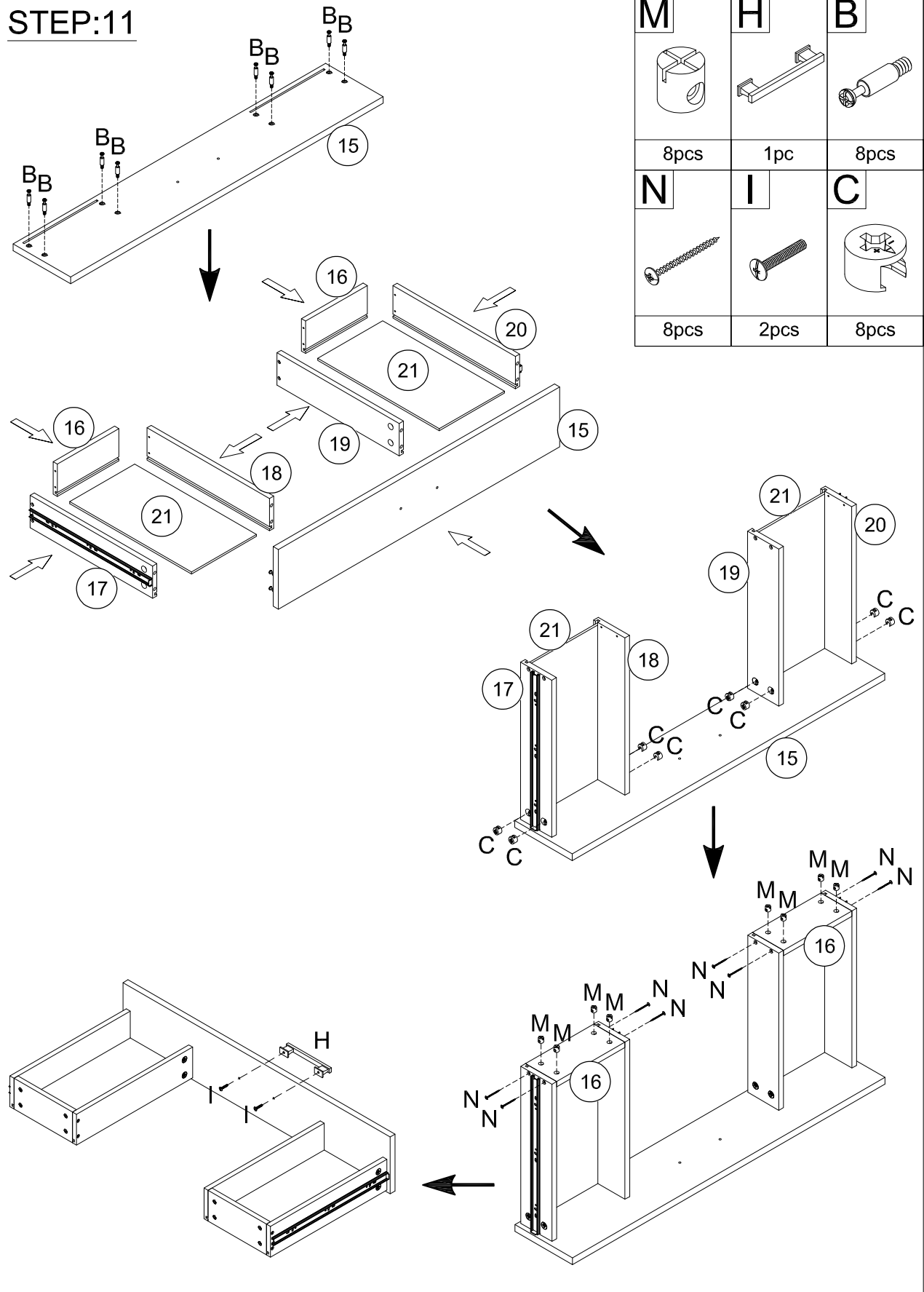
I



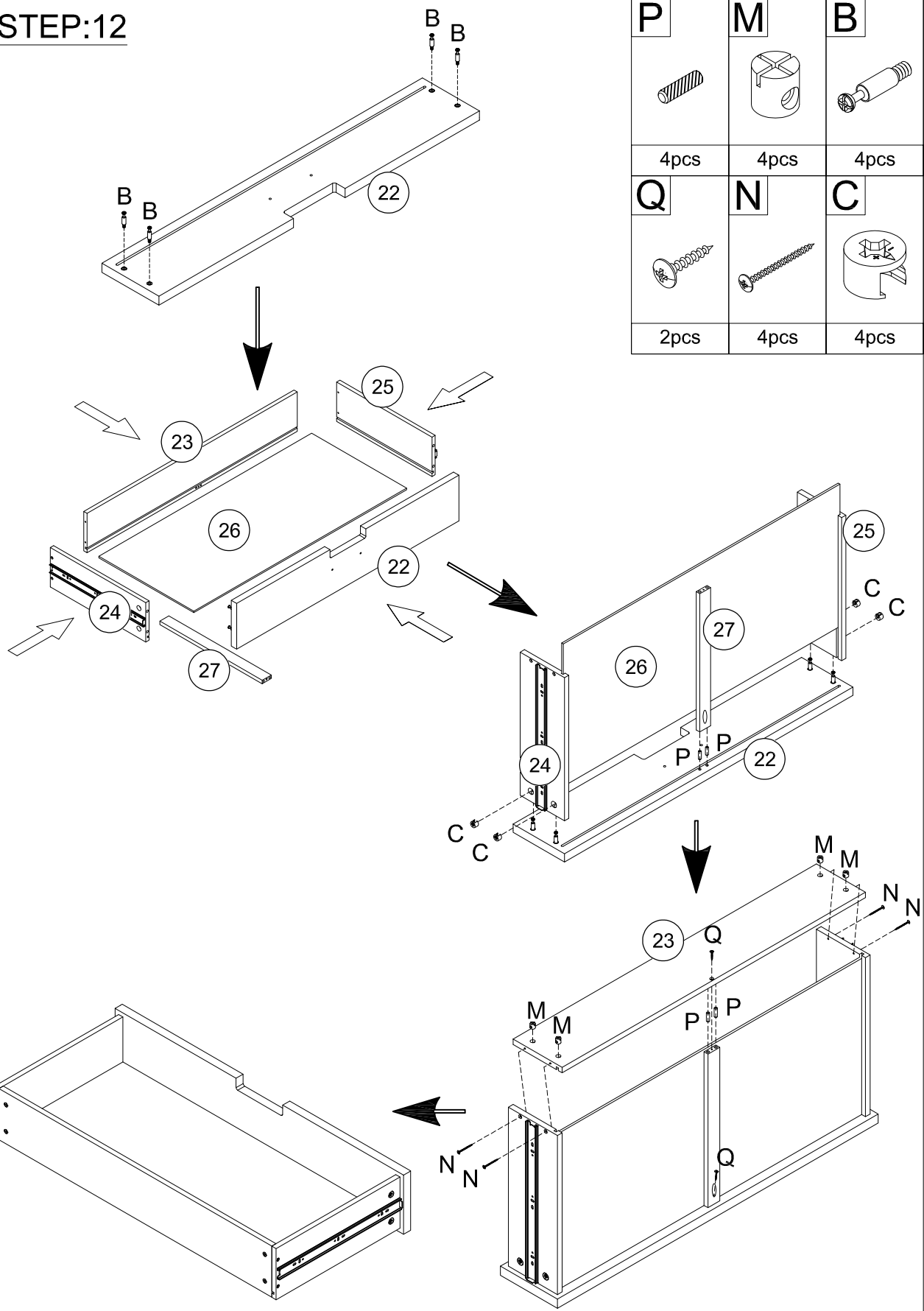
4pcs



# STEP:11

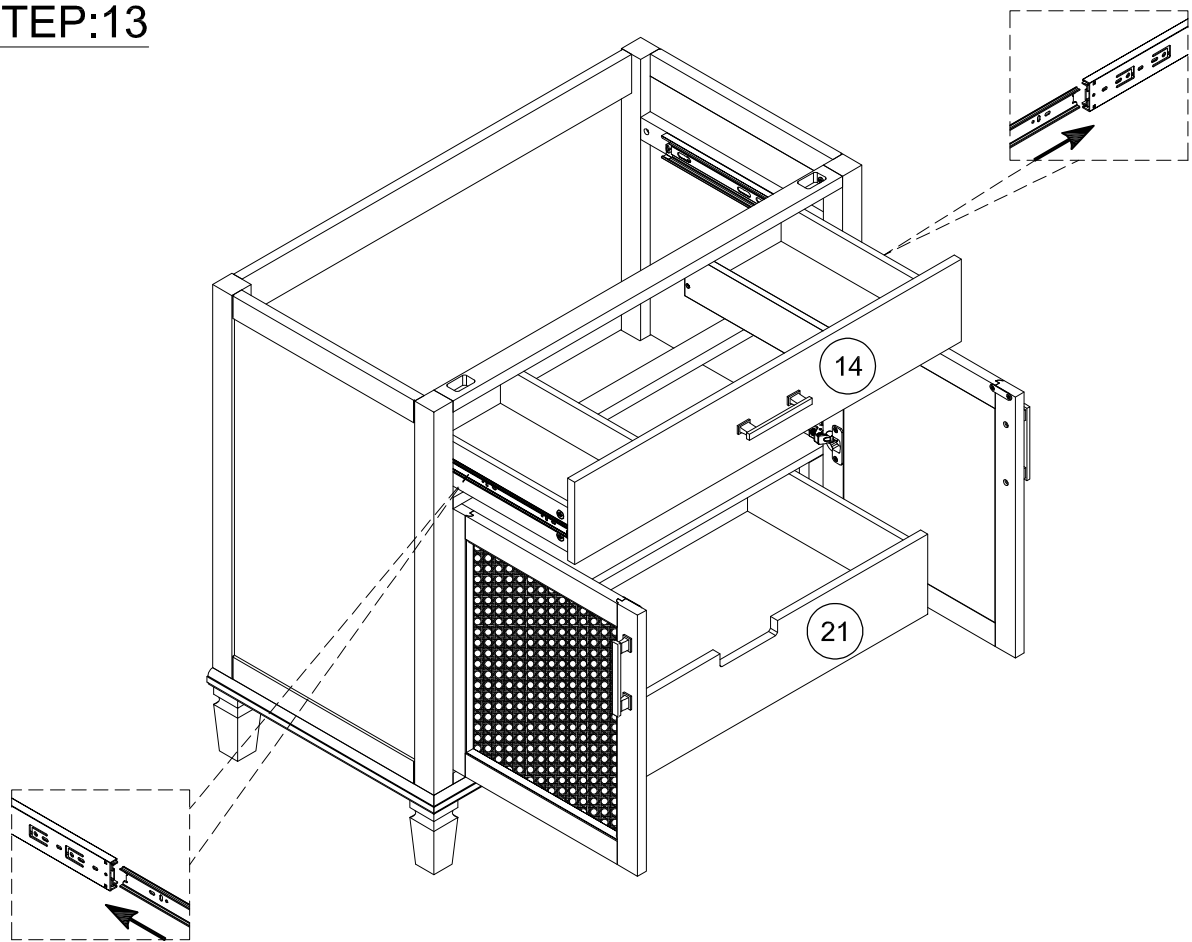


# STEP:12

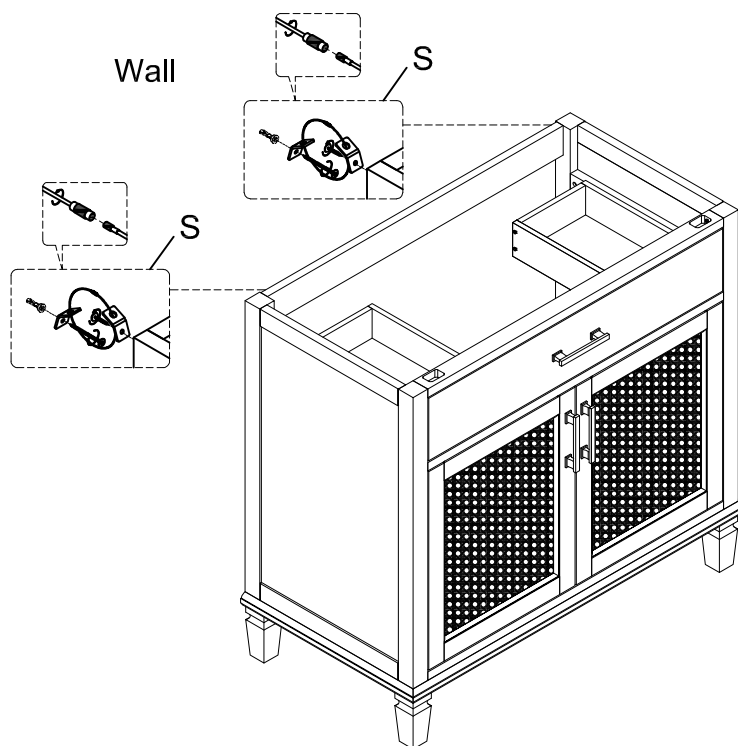


P	M	B
4pcs	4pcs	4pcs
Q	N	C
2pcs	4pcs	4pcs

### STEP:13



### STEP:14

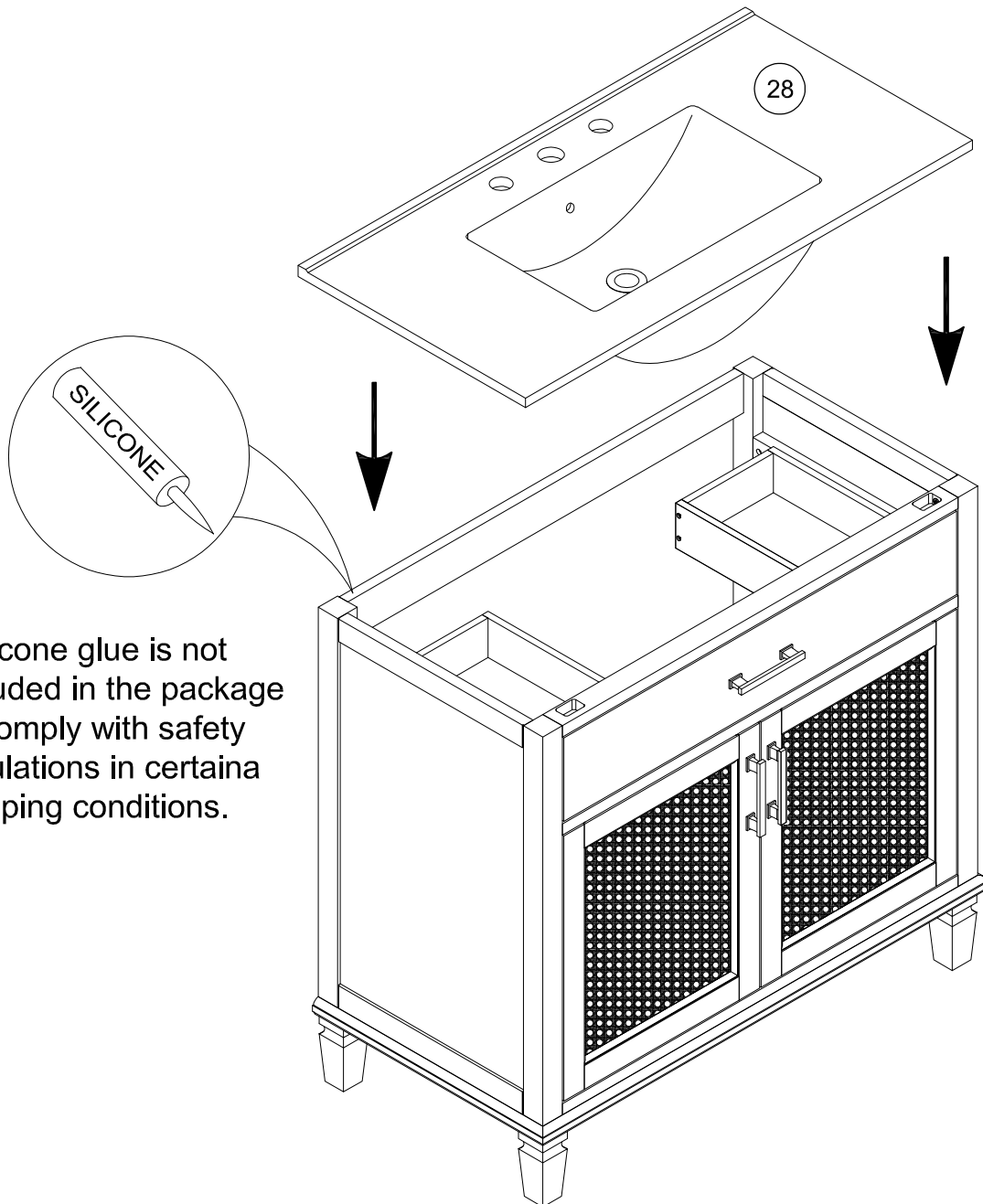


**S**

2 sets

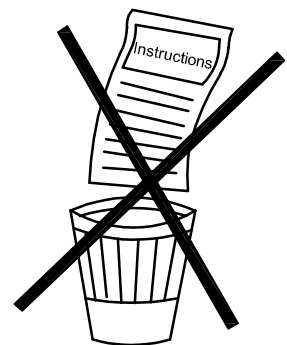
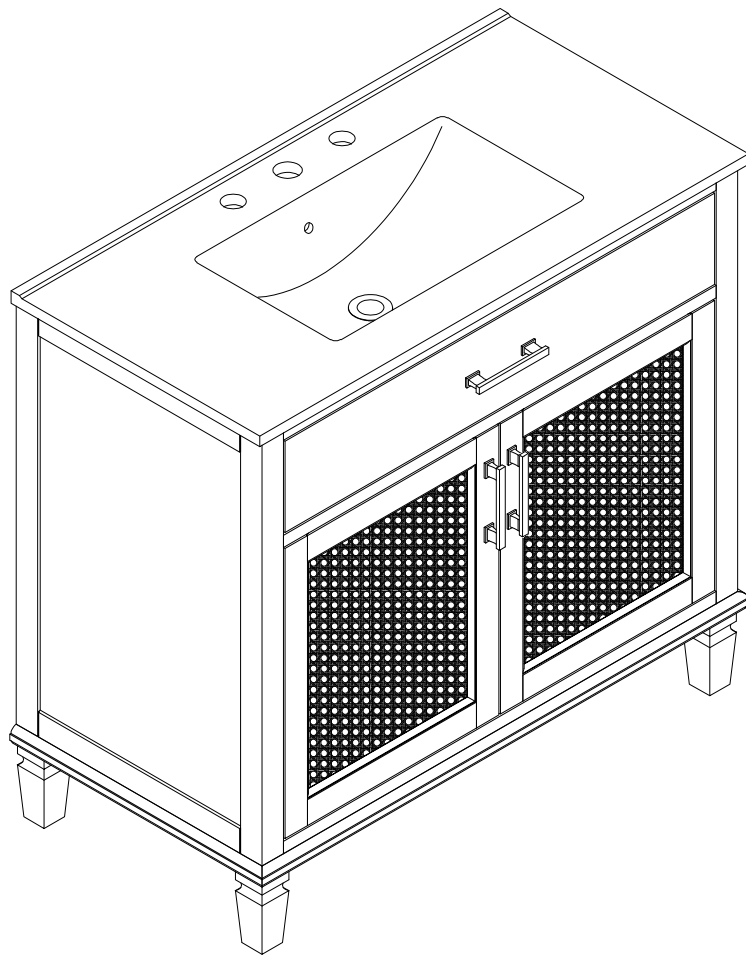
## STEP:15

Install the sink on the cabinet with glue.  
Let stand for 24 hours

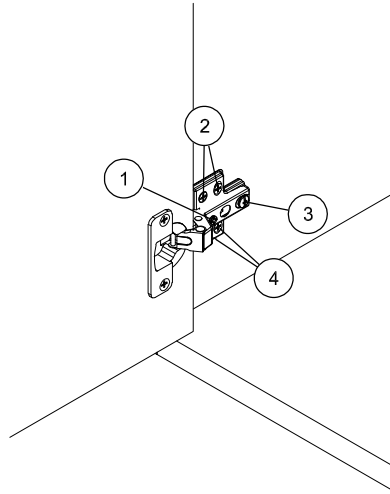


\*Silicone glue is not included in the package to comply with safety regulations in certain shipping conditions.

STEP:16

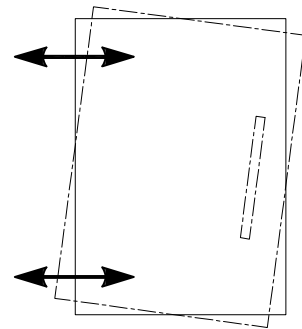


# HINGE ADJUSTMENTS



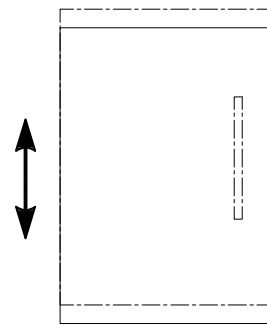
## ① Sideways / Tilt adjustment

Turn the screw  
**clockwise** to move the door further away from the side of the cabinet  
**anticlockwise** to move the door closer to the side of the cabinet



## ② ④ Height adjustment

While supporting the weight of the door, turn the screws  
**clockwise** to move the door up  
**anticlockwise** to move the door down



## ① Forward and back adjustment

