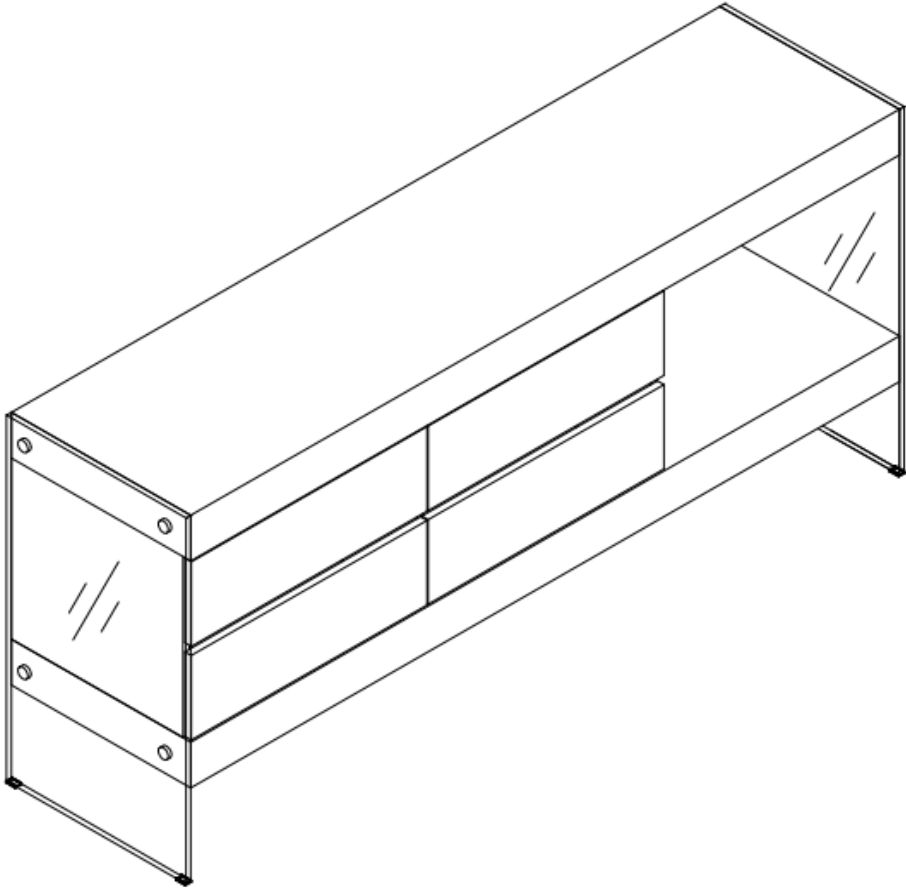
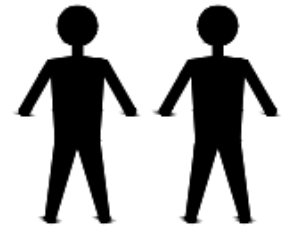


Assembly Instructions





A x8
Spec:



B x8
Spec:



C x8
Spec:



D x8
Spec:



E x1
Spec:5#



F x4
Spec:

