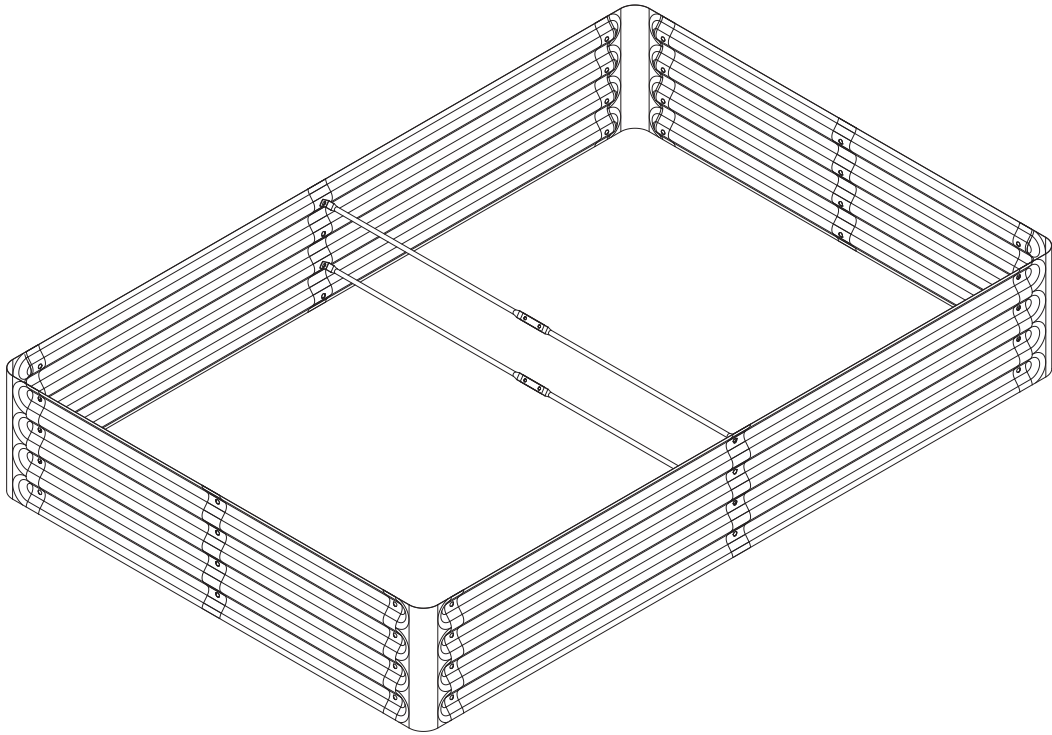


# GARDEN BED

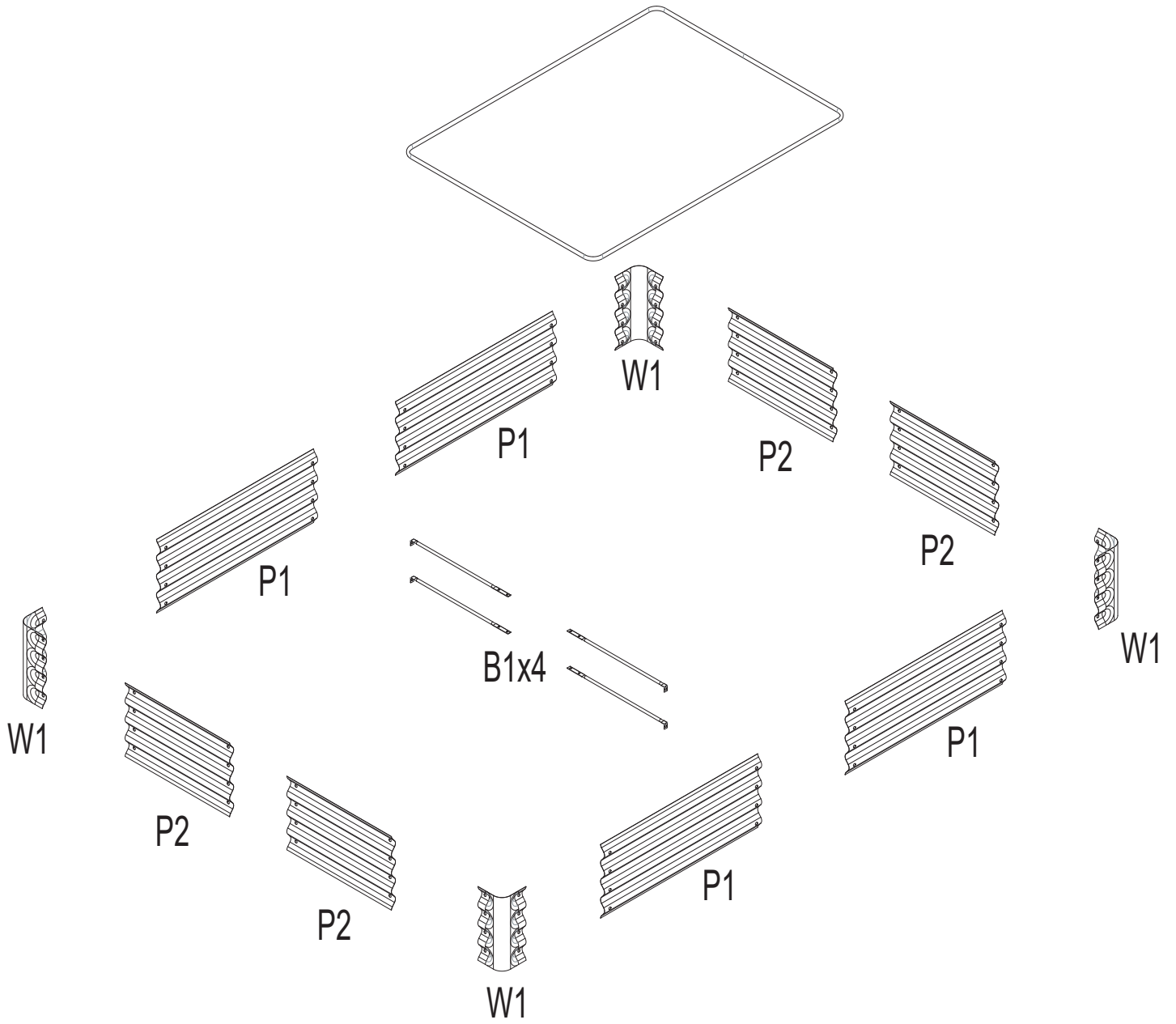


## ASSEMBLY INSTRUCTIONS

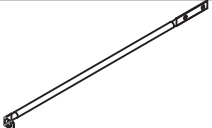




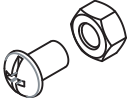
Requires two people and takes **half an hour** for Installation.

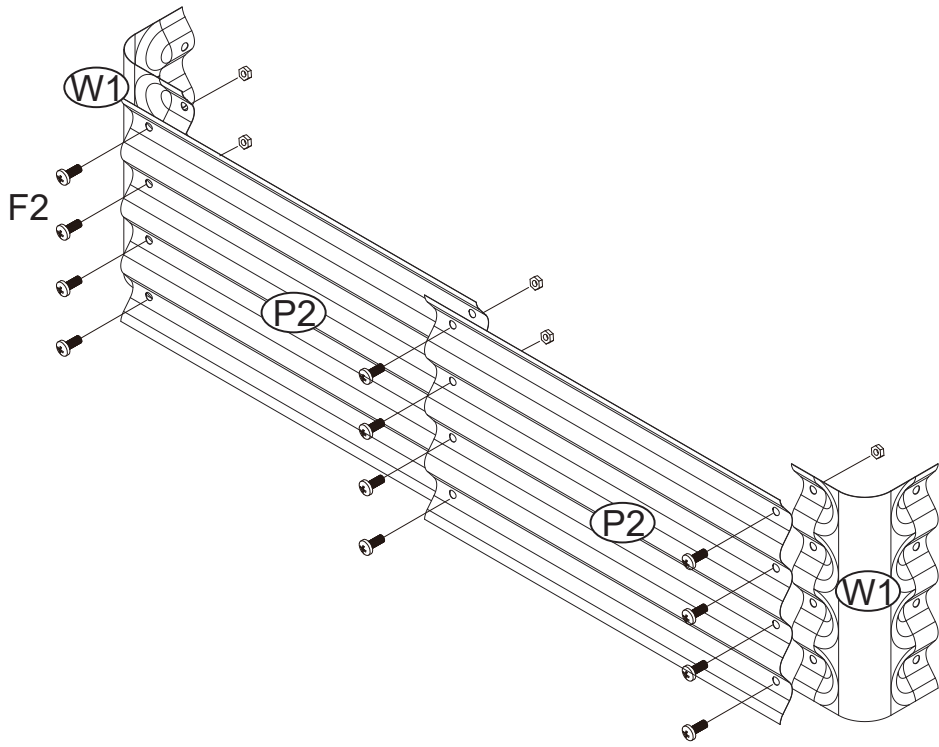
### WARNING

Please read the instruction manual carefully before assembly.  
Please assembly strictly in accordance with the instruction.  
Please double-check to ensure that all parts of the package contents intact.  
To avoid injury, work gloves are recommended during assembly.

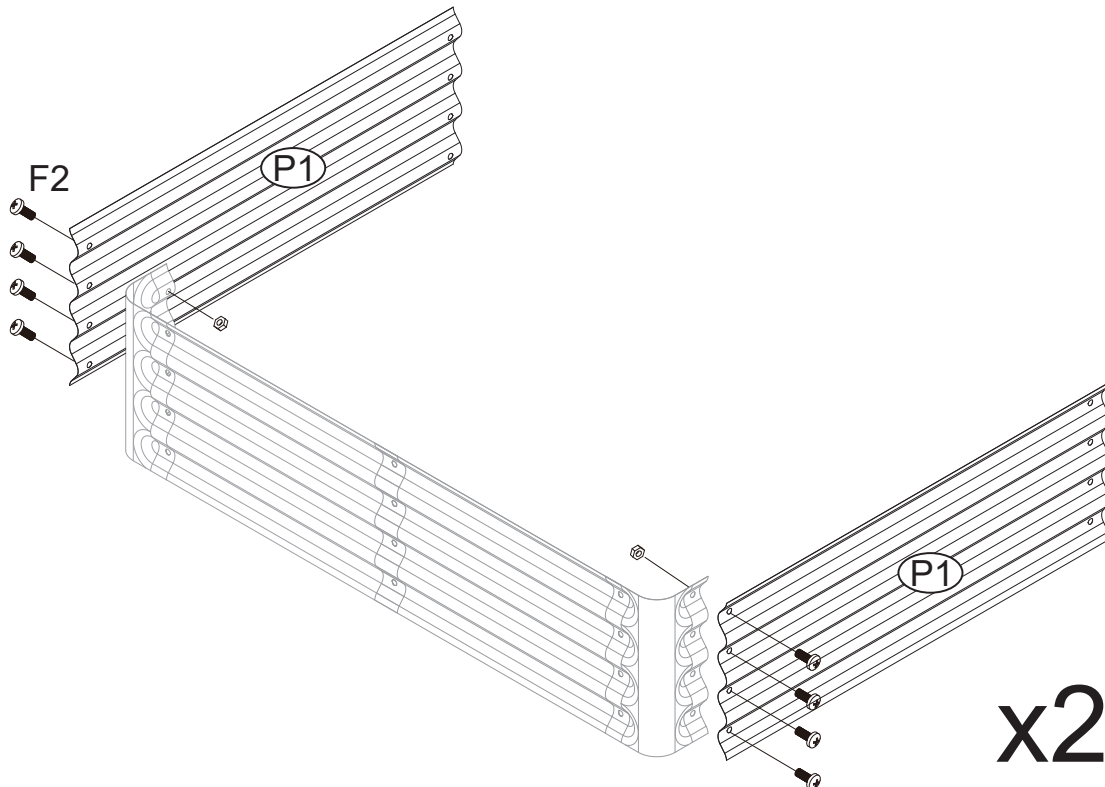
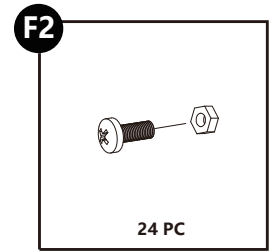
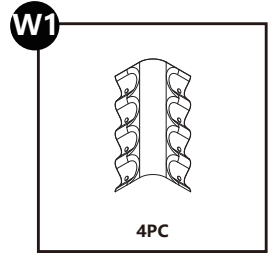
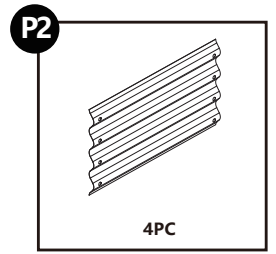


# PARTS LIST

| NO. | PART  | Qty. |
|-----|---|------|
| B1  |    | 4    |
| P1  |    | 4    |
| P2  |   | 4    |
| W1  |  | 4    |
|     |  | 1    |
| F2  |  | 52   |
|     |   |      |



x2



x2

