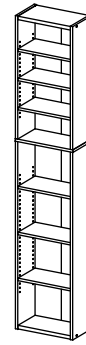
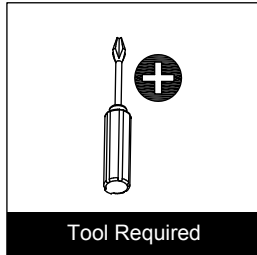
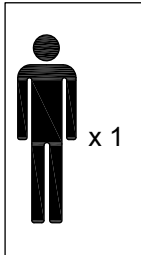
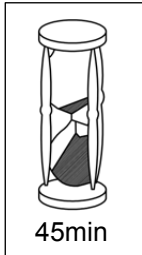


Media Tower

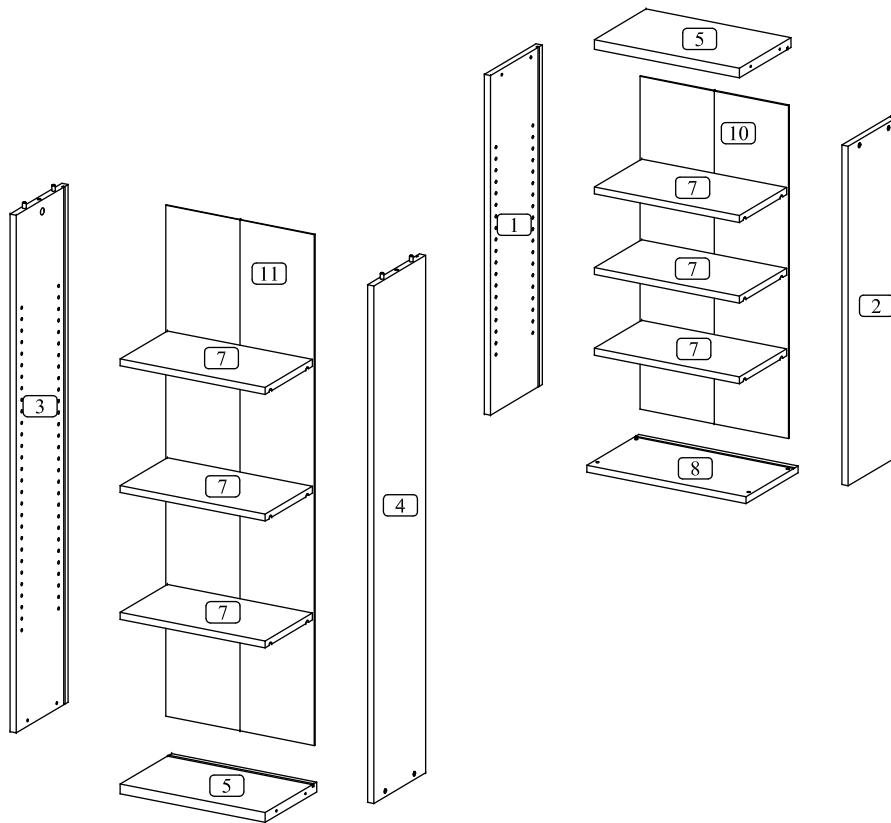


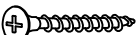


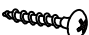
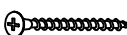

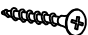

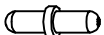
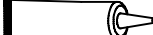

NEED HELP? For help with assembly, or if you are missing a part, please call our Customer Service.



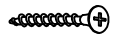
USEFUL HINTS BEFORE YOU START:

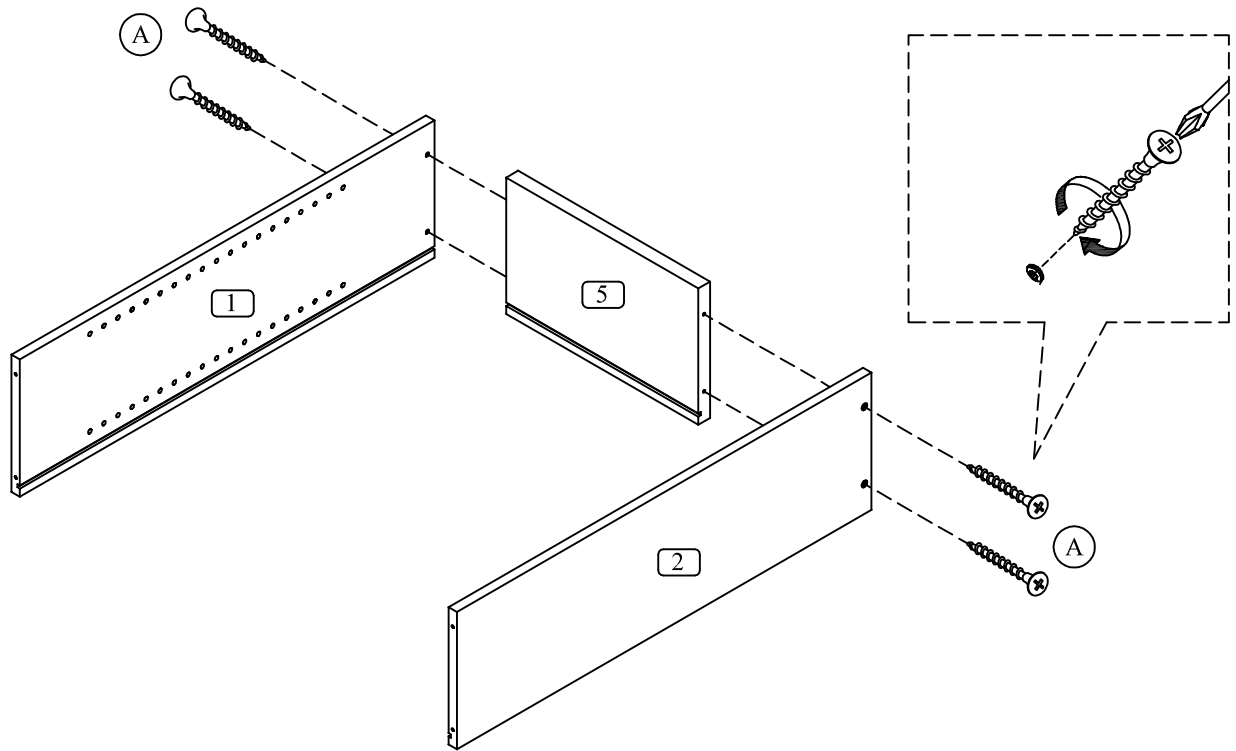
1. Read each step carefully before starting.
2. It is important that each step is performed in correct order to avoid difficulties.
3. Identify, sort and count the parts before assembly.
4. Assemble your furniture on packaging cardboard to prevent scratch or damage.
5. Clean the product with mild cleanser using soft damped cloth.
Do not use harsh or abrasive cleanser.
6. Using incompatible hardware might cause damage to product.



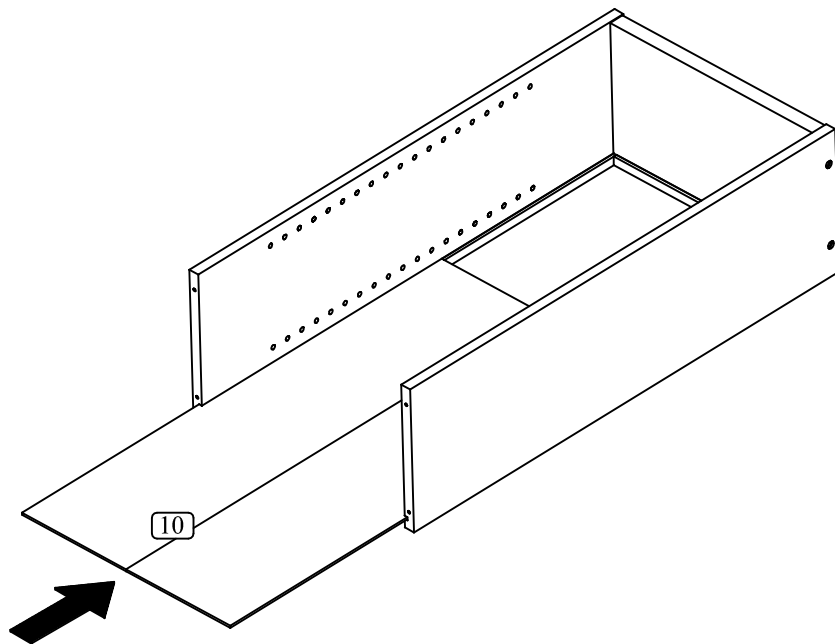
A	12 x	B	2 x	C	2 x	D	2 x	E	2 x	F	2 x
											
ø8x35 mm		ø15x9.6 mm		ø8.5x24 mm		ø6x16mm (RH)		ø6x1.1/4mm (FH)		148x18x3 mm	
G	8 x	H	8 x	I	24 x	J	1 x	K	8 x		
											
ø6x16mm (FH)		14x13x10 mm		ø4.8x20.5 mm		ø25x105 mm		ø14 mm			

1

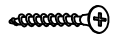

A = 4 x

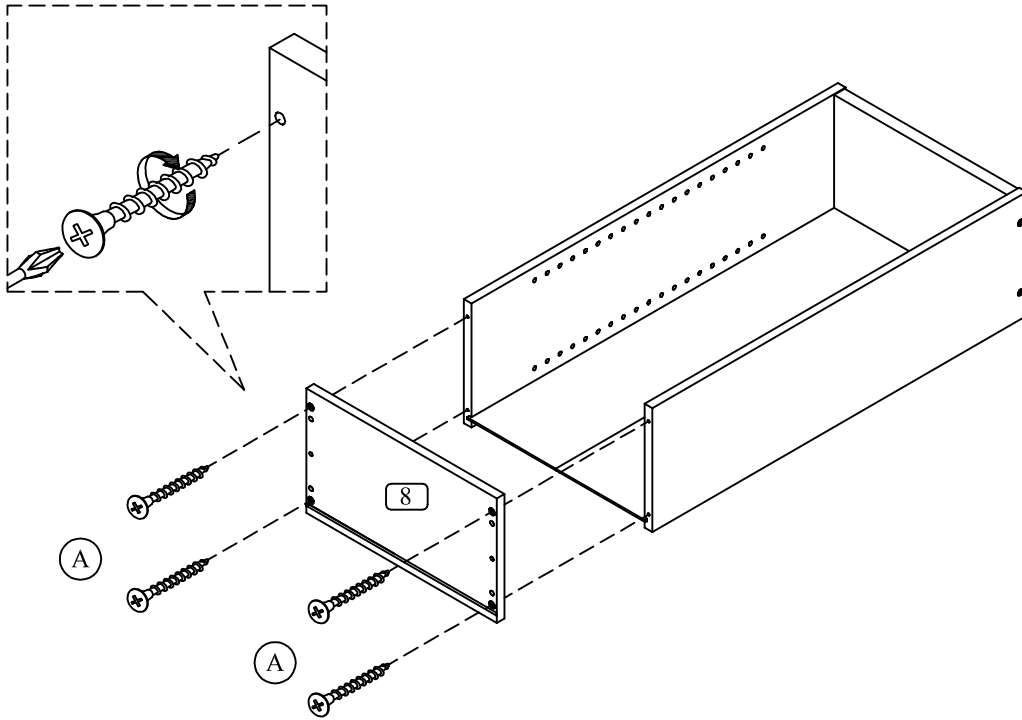


2




3

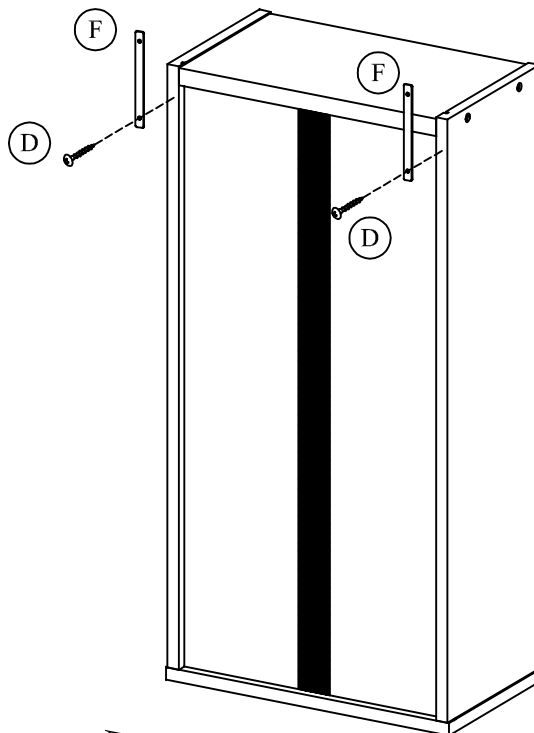

A = 4 x



4


D = 2 x


F = 2 x

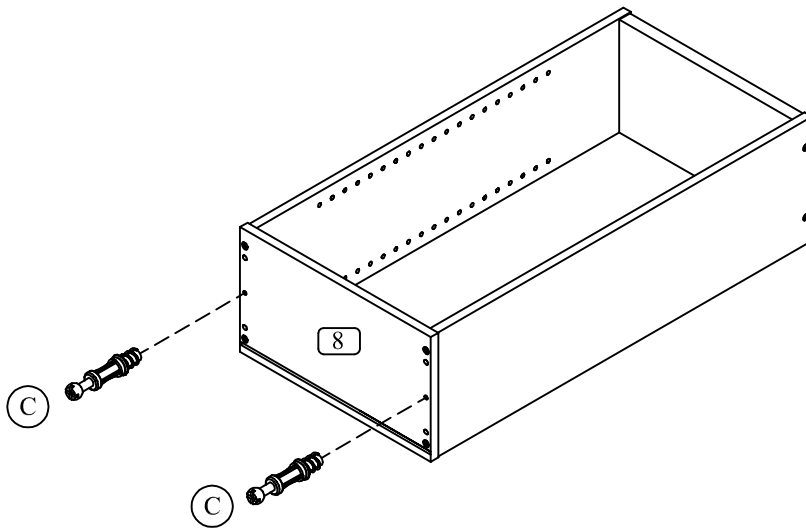


Back View

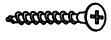
5



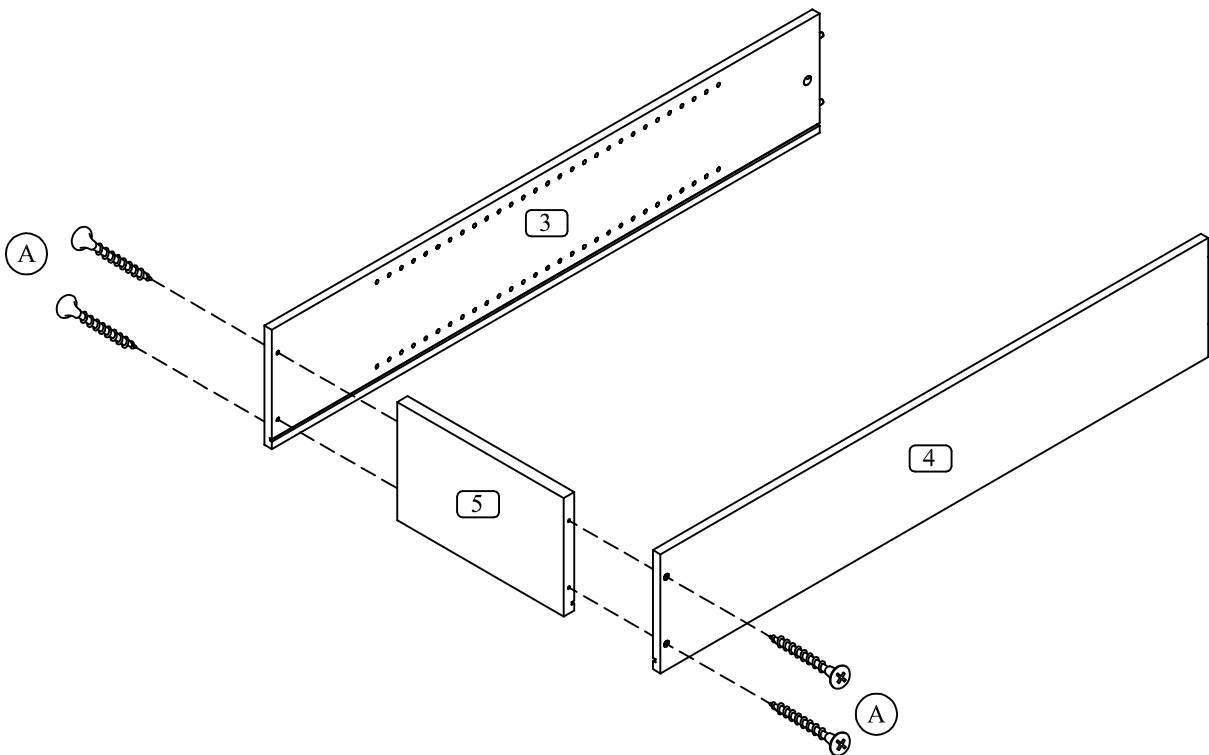
C = 2 x



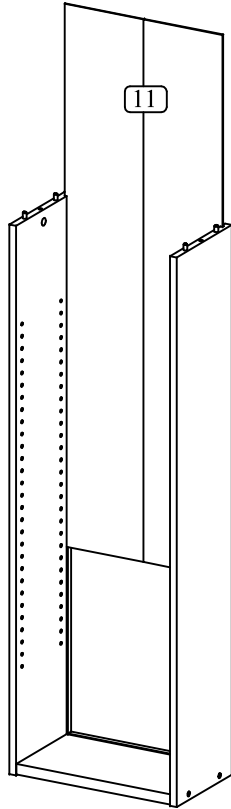
6



A = 4 x



7



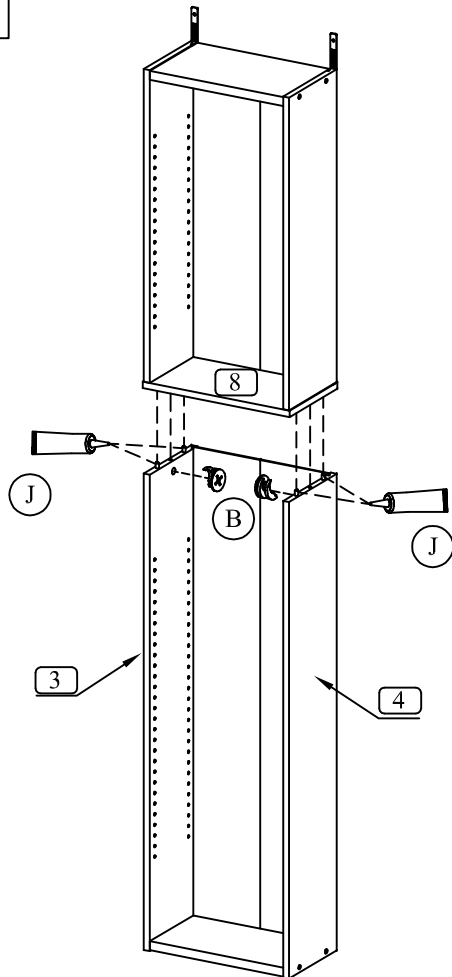
8



B = 2 x



J



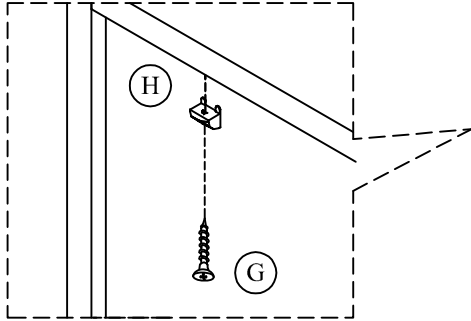
9



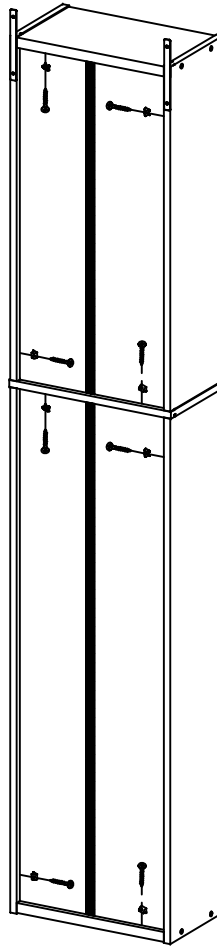
G = 8 x



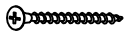
H = 8 x



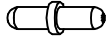
Back View



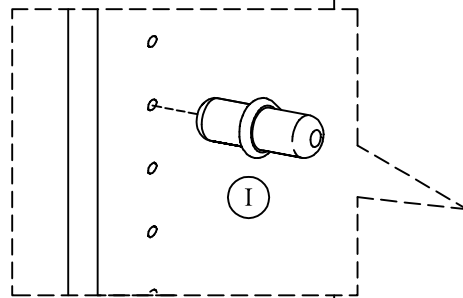
10



E = 2 x



I = 24 x



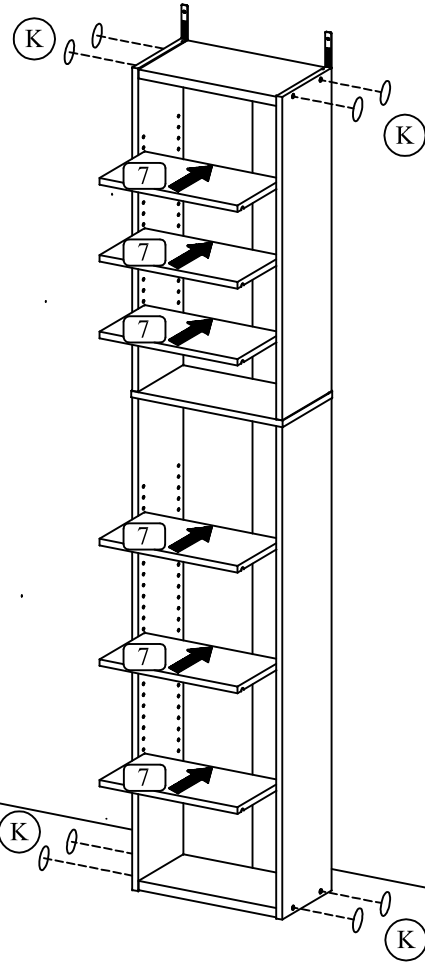
Wall

Front View

11



K = 8 x



12

Wall

Front View

