

Instruction Sheet

SAVE ALL PACKAGING MATERIALS UNTIL PRODUCT IS FULLY ASSEMBLED. HARDWARE AND SMALL PIECES MAY NOT BE SEEN AND BE ACCIDENTALLY DISCARDED WITH PACKAGING MATERIALS.

FIGURE 1

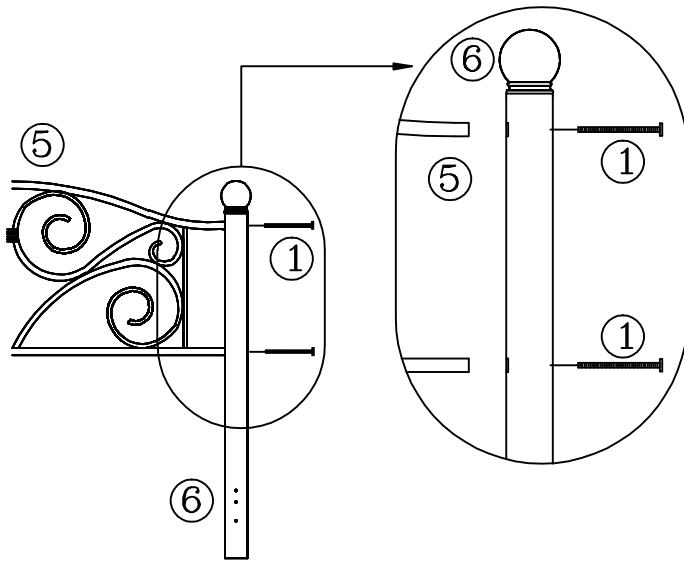


FIGURE 2

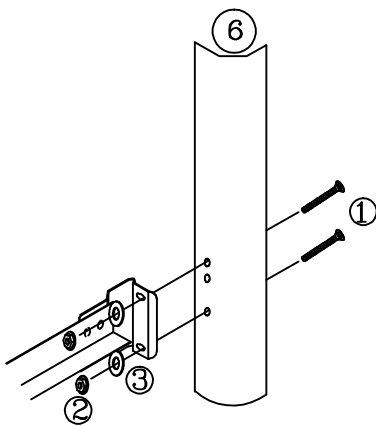
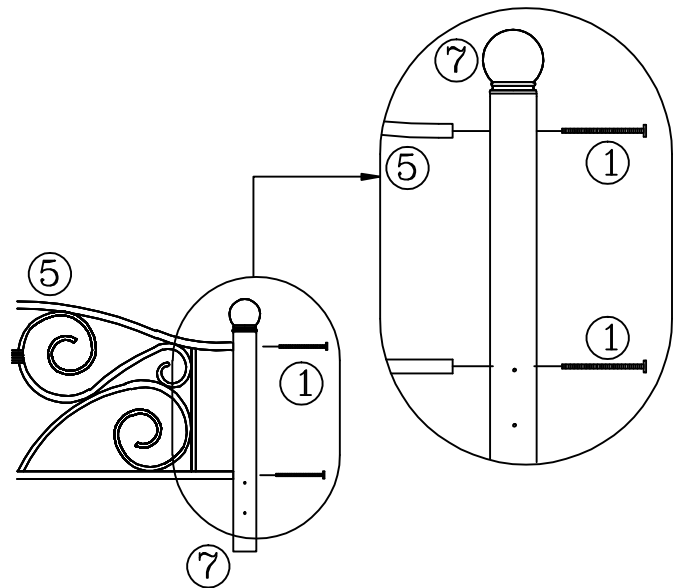


FIGURE 3

Step 1

- Align grill (5) rail ends with holes in headboard post (6). See Figure 1
- Secure post (6) to grill (5) with screws (1). See Figure 1
- Repeat on other side of headboard panel.
- Tighten all screws securely using the Allen wrench.
- Repeat same step for assembly of footboard. (See Figure 2)

Step 2

- Place headboard and frame in desired location in room.
- Place 2 screws (1) through holes located in post (6). (See Figure 3)
- **Align bed frame bracket over screws.**
- Place a washer (3) first and then a nut (2) on each screw. Hand-tighten, DO NOT TIGHTEN screws all the way.
- Repeat on other side of headboard.
- Tighten all screws securely using the Allen wrench (4).

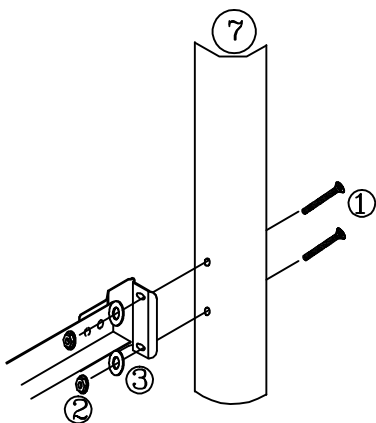


FIGURE 4

Step 3

- Position footboard panel and align holes in the post (7) with holes in the frame bracket. See Figure 4
- Place 2 screws (1) through holes located in post (7). (See Figure 4)
- **Align bed frame bracket over screws.**
- Place a washer (3) first and then a nut (2) on each screw. Hand-tighten, DO NOT TIGHTEN screws all the way.
- Repeat on other side of footboard.
- Tighten all screws securely using the Allen wrench (4).