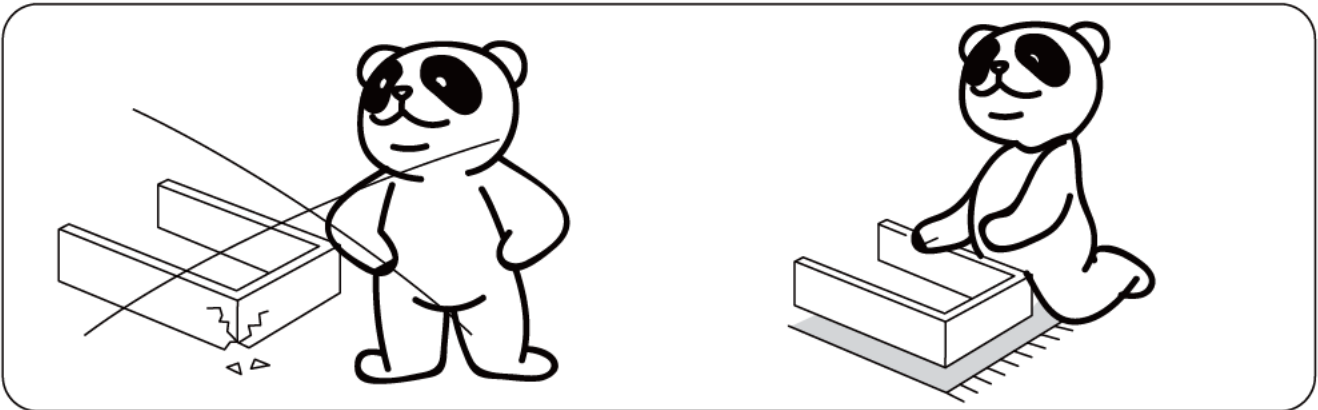
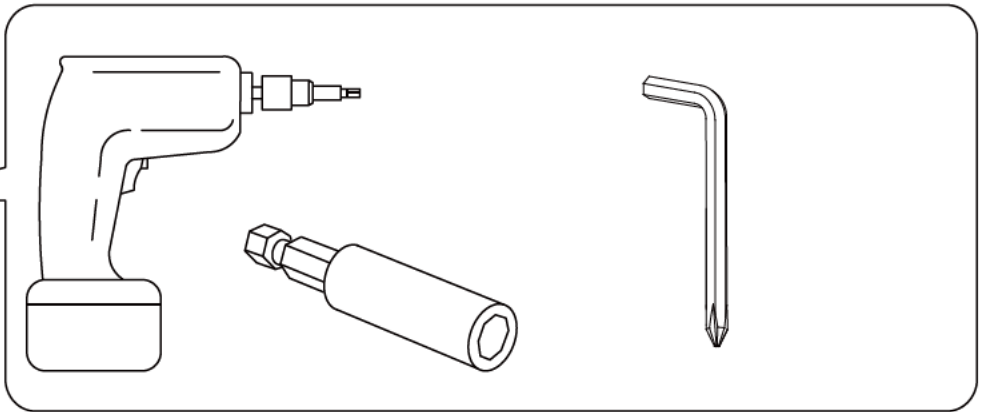
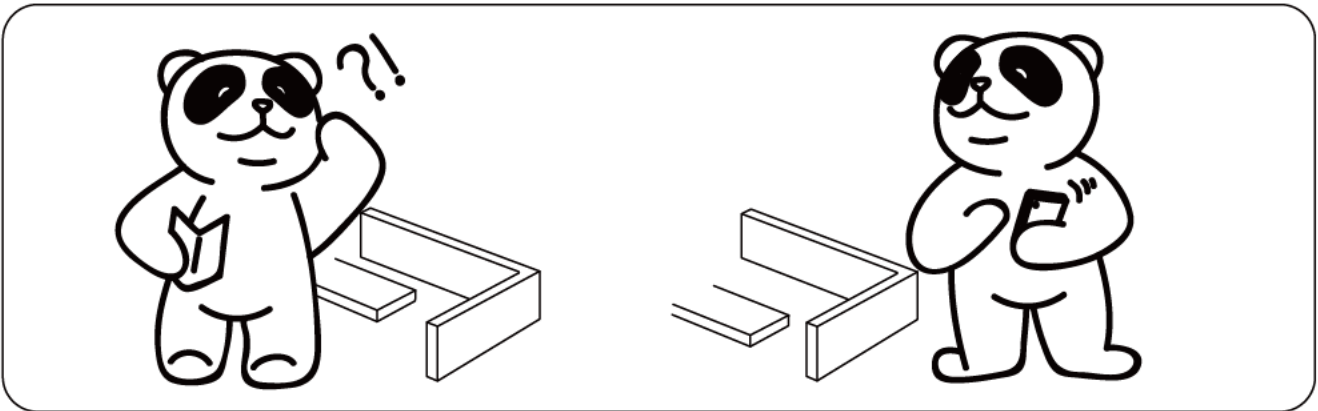


LED

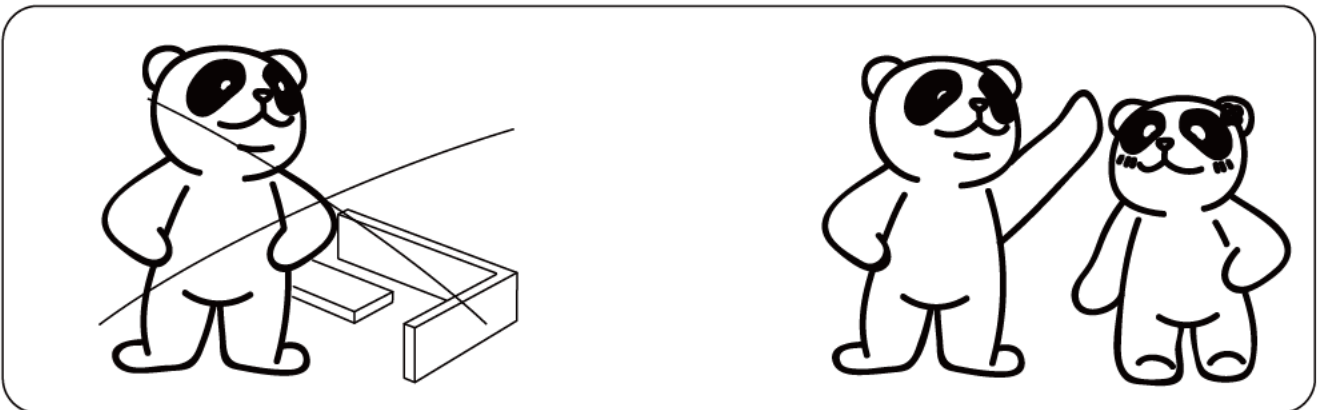
Version : 1.4



Violent installation is prohibited



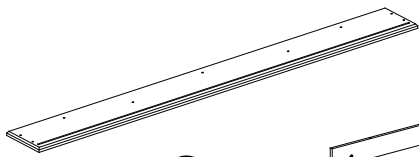
Please call if you need help



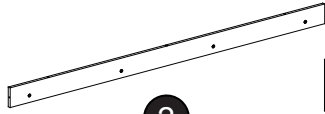
Multi-person cooperation is recommended

# Install parts

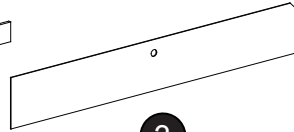
## PARTS LIST



1  
x1



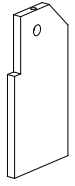
2  
x1



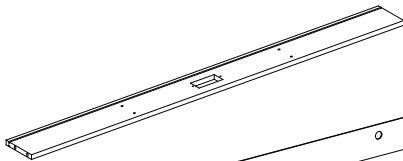
3  
x1



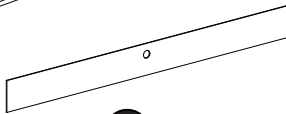
4  
x1



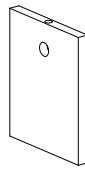
5  
x1



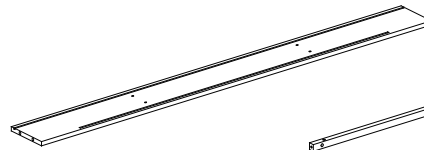
6  
x1



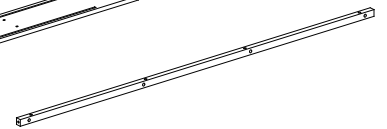
7  
x1



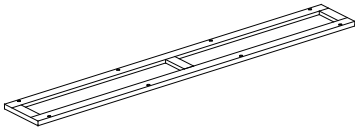
8  
x2



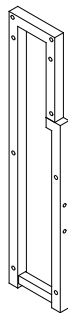
9  
x1



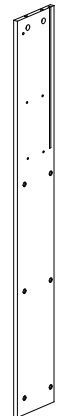
10  
x3



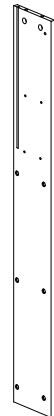
11  
x1



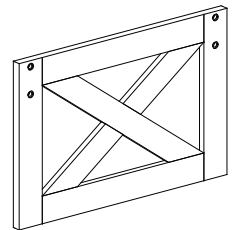
12  
x2



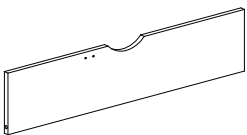
13  
x1



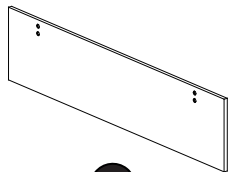
14  
x1



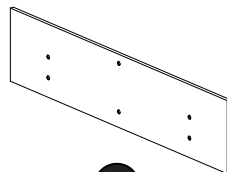
15  
x2



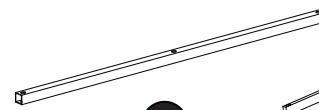
16  
x1



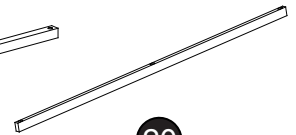
17  
x2



18  
x2



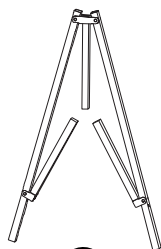
19  
x1



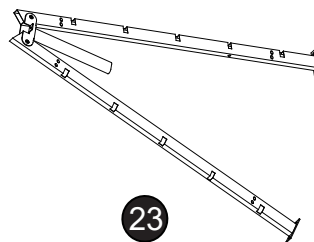
20  
x2



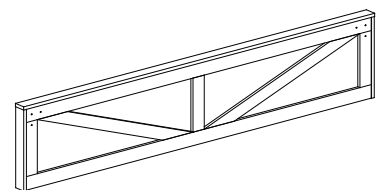
21  
x8



22  
x1



23  
x2



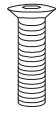
24  
x1

# HARDWARE LIST



**A**

M8\*15  
x8



**B**

M6\*50  
x13+1



**C**

M6\*33  
x12+1



**D**

M6\*28  
x26+2



**E**

M6\*10  
x18+1



**F**

M3  
x1



**G**

M4  
x1



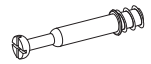
**H**

M5  
x1



**I**

15\*9  
x19+1



**J**

6\*35  
x19+1



**K**

4\*12  
x6



**L**

M5\*40  
x10+1



**P**

M6\*28  
x4



**Q**

3\*12  
x10+1



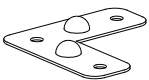
**R**

x2



**S**

M6\*16  
x2



**T**

x2



**U**

x4



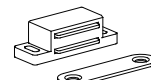
**V**

x1



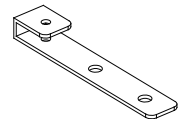
**W**

x4+2



**X**

x1



**Y**

x4



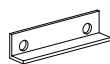
**Y1**

x4



**Y2**

M6\*22  
x4



**Z**

x2



**Z1**

x2



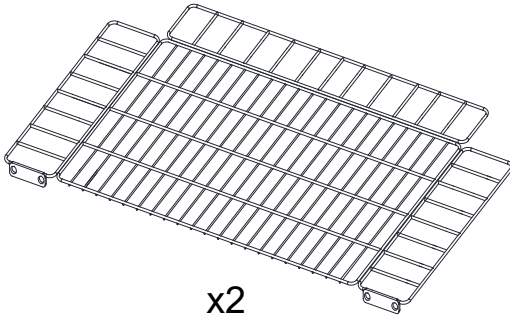
**Z3**

M6  
x8

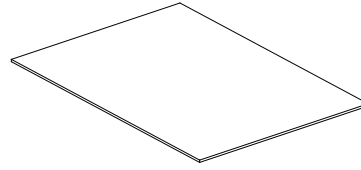


**Z4**

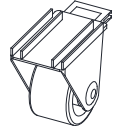
M6  
x1



x2



x2



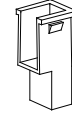
O

x8



A1

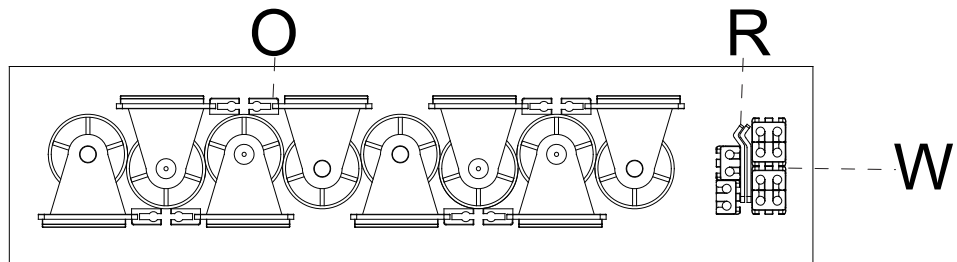
x1



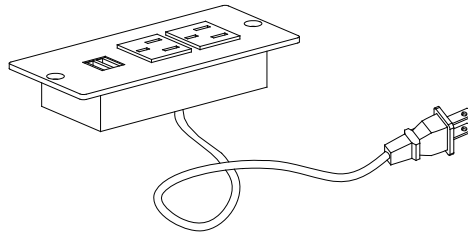
AC

x16+1

### Pull basket parts package

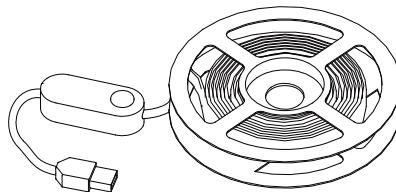


### Additional instructions of LED light bar



x1

Row insertion

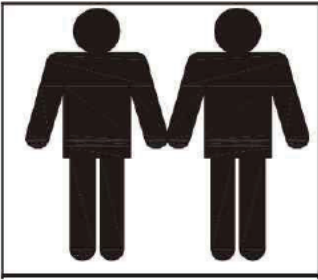


x1

Light strip

**Note:**

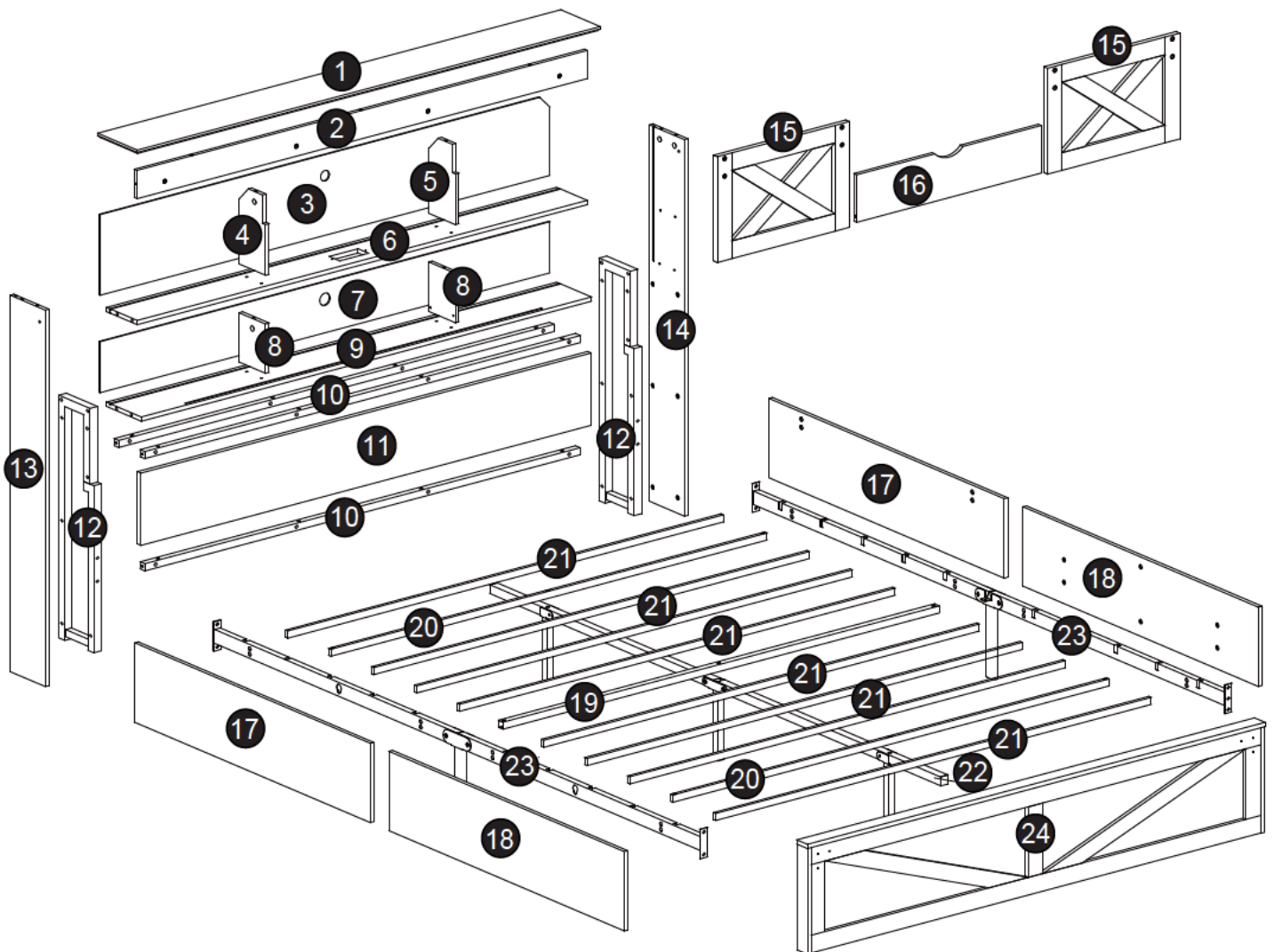
- 1. Should be assembled on flat ground to keep balance.**
- 2. Before completing the installation, do not tighten the screws.**



**It needs at least two people to install.**

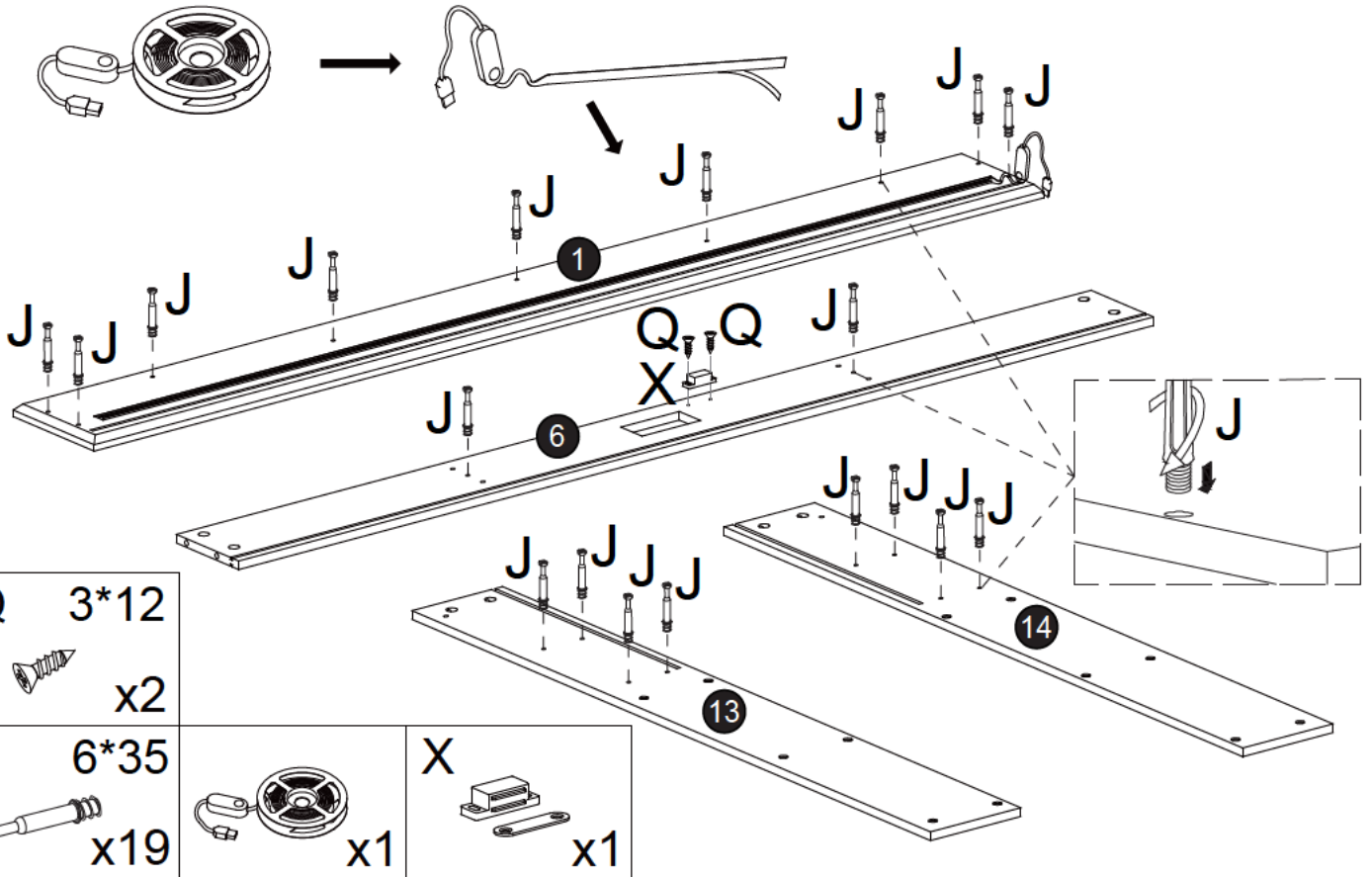
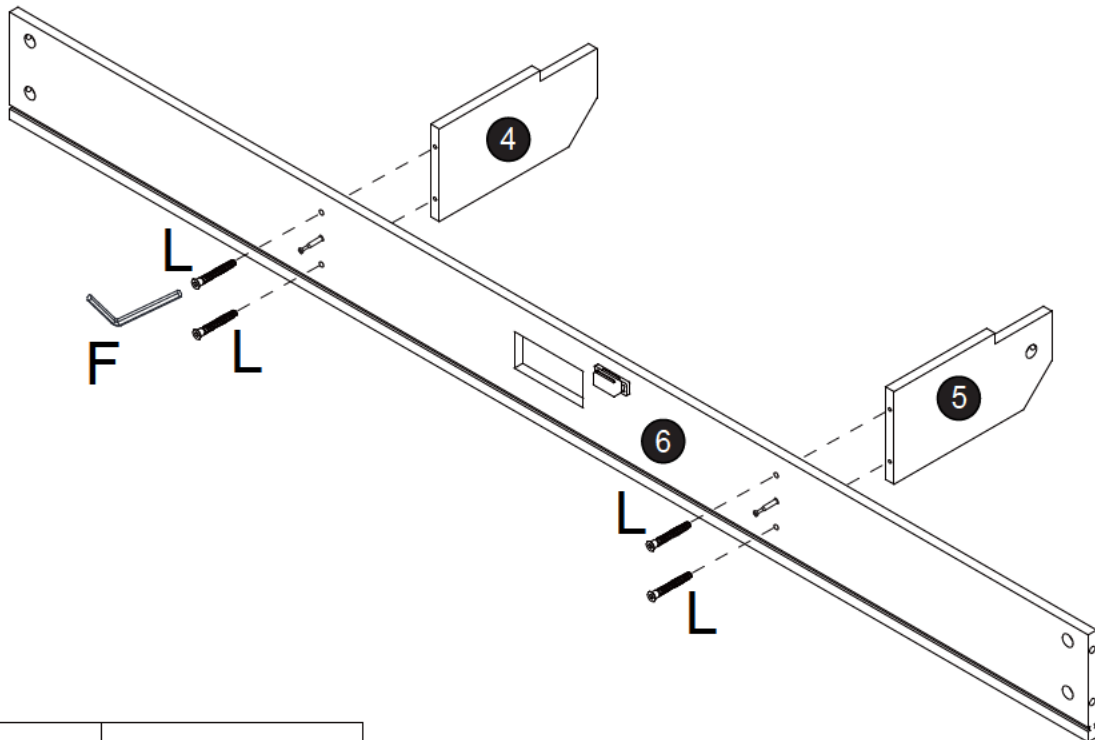




**Before starting the assembly, you must read the whole manual and follow the instructions**



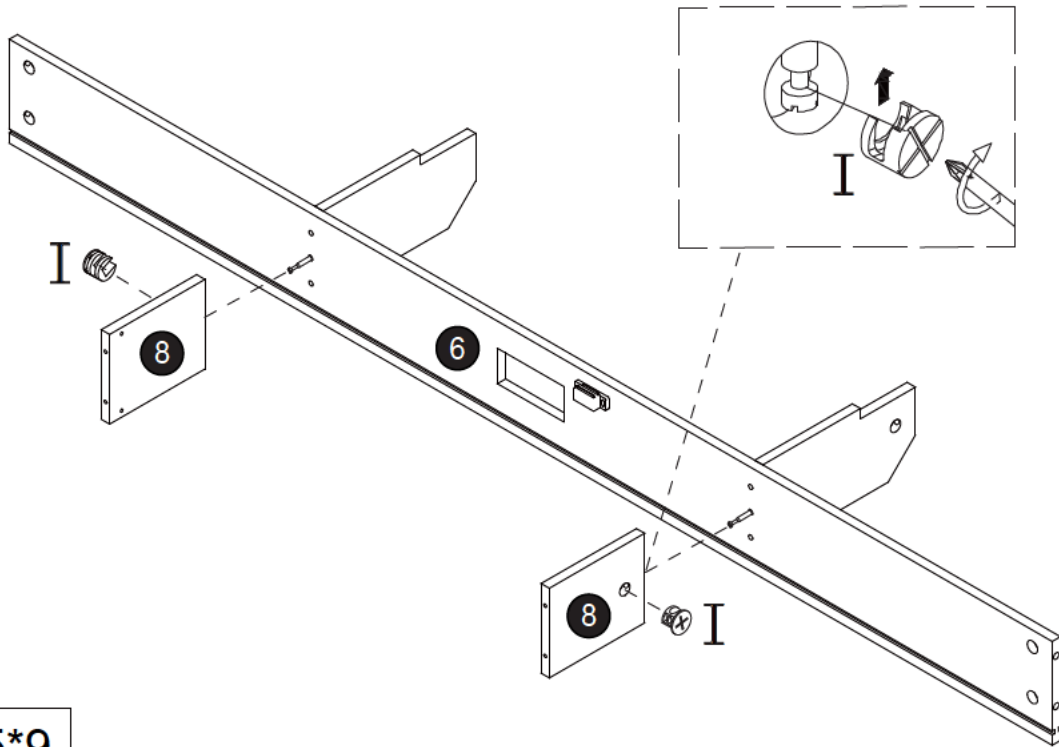
**1**

Unfold the light belt

**2**

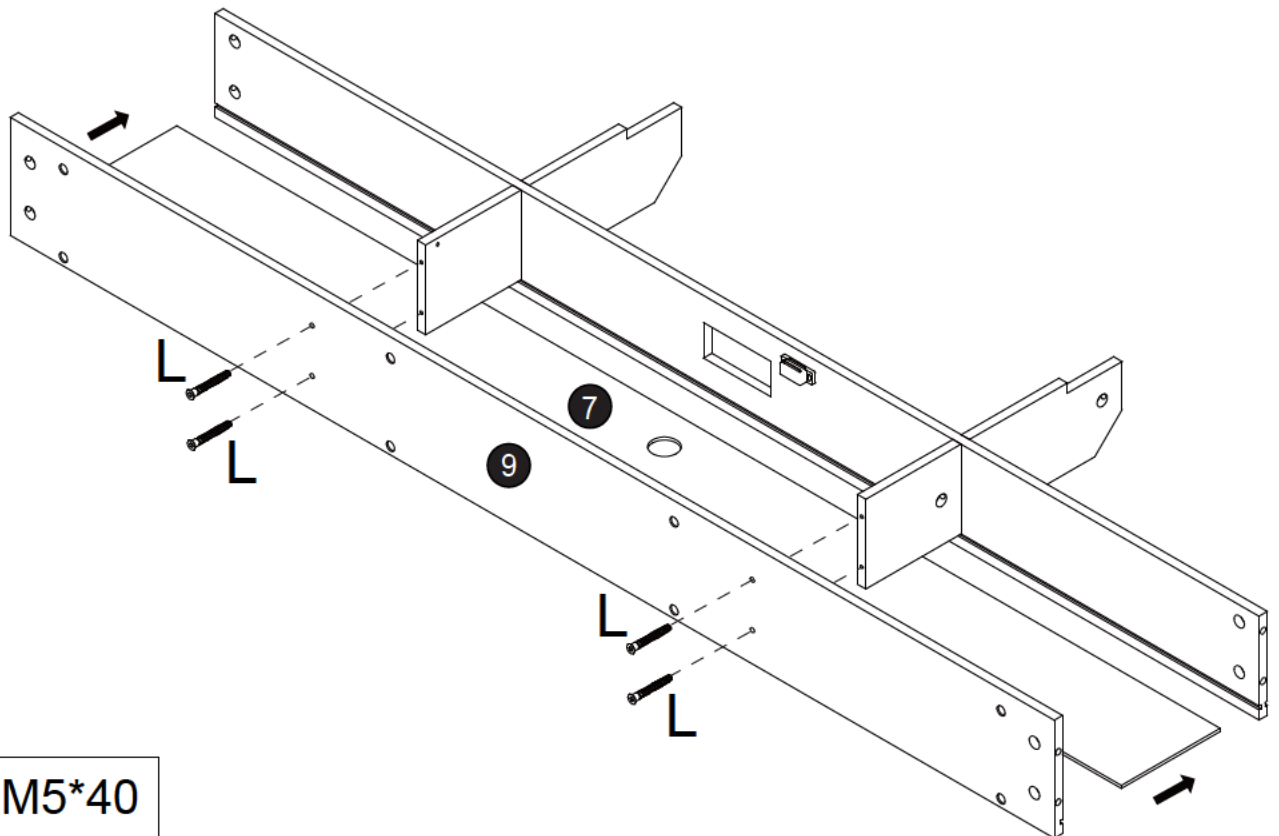
F	M3	L	M5*40
	x1		x4

3



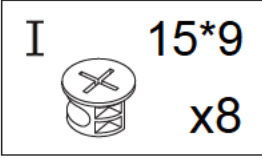
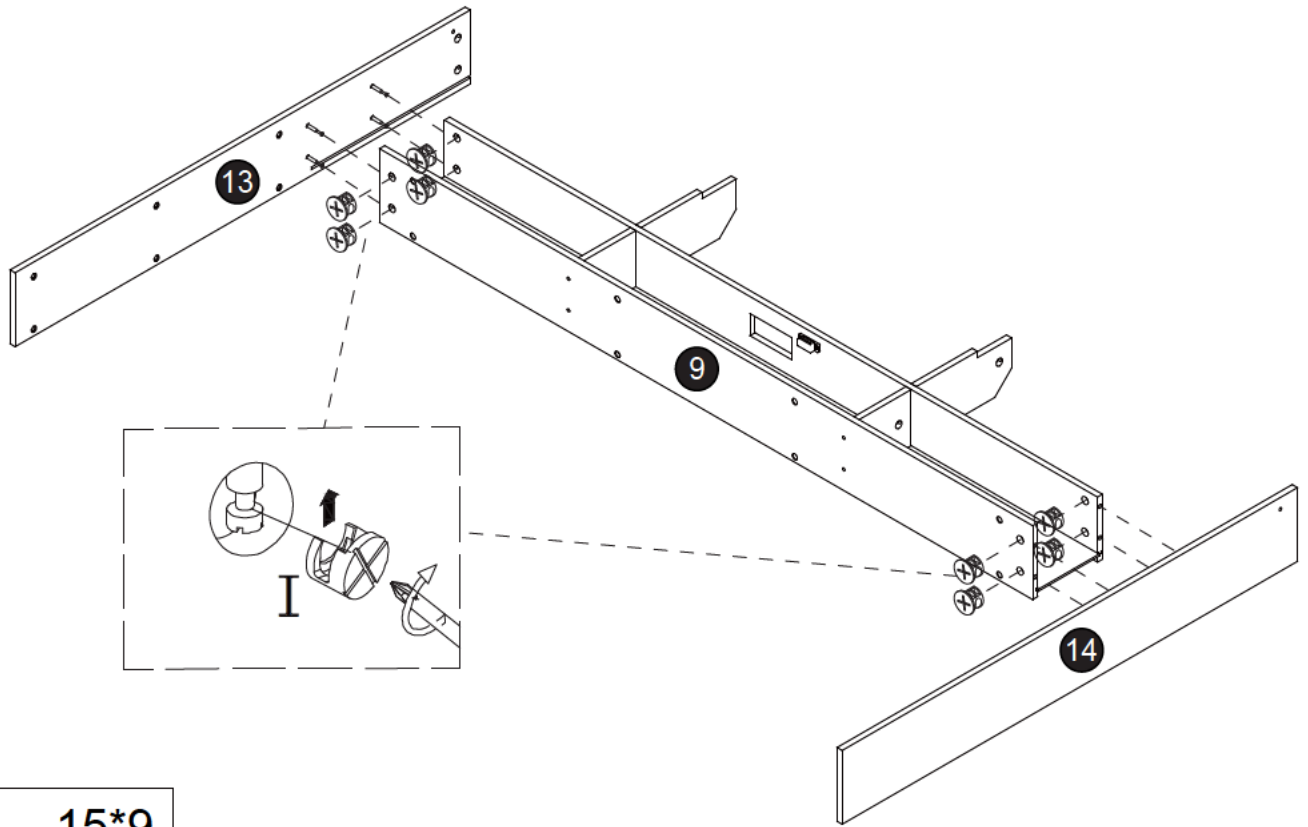
I 15\*9  
x2


4



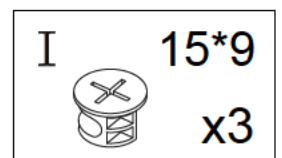
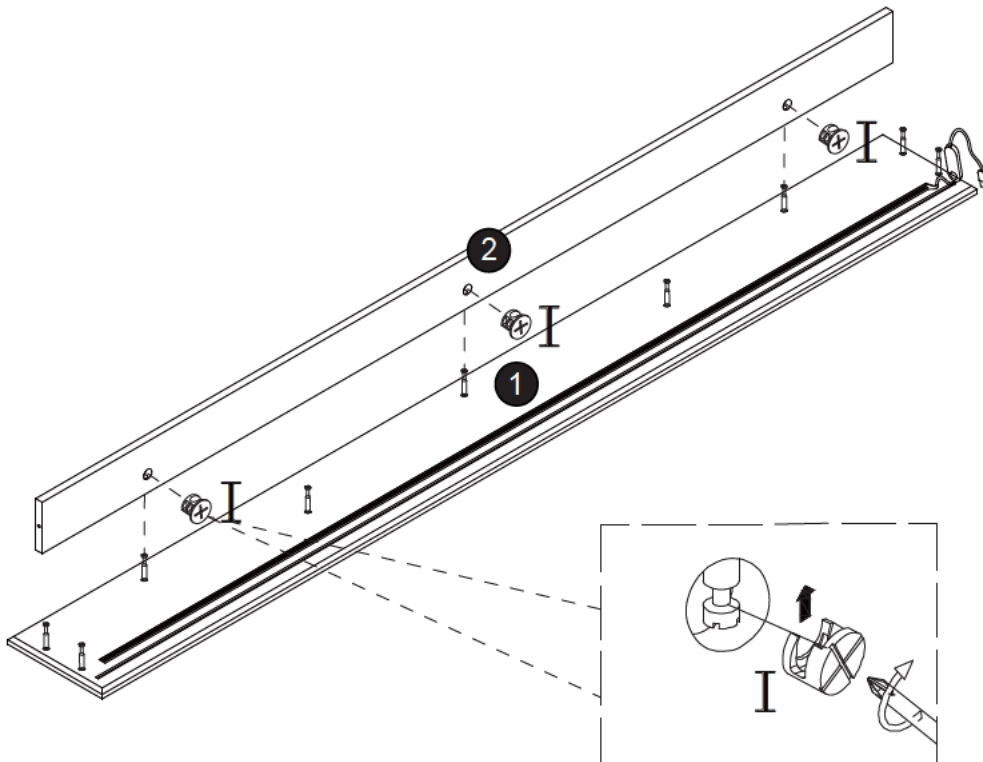
L M5\*40  
x4

5



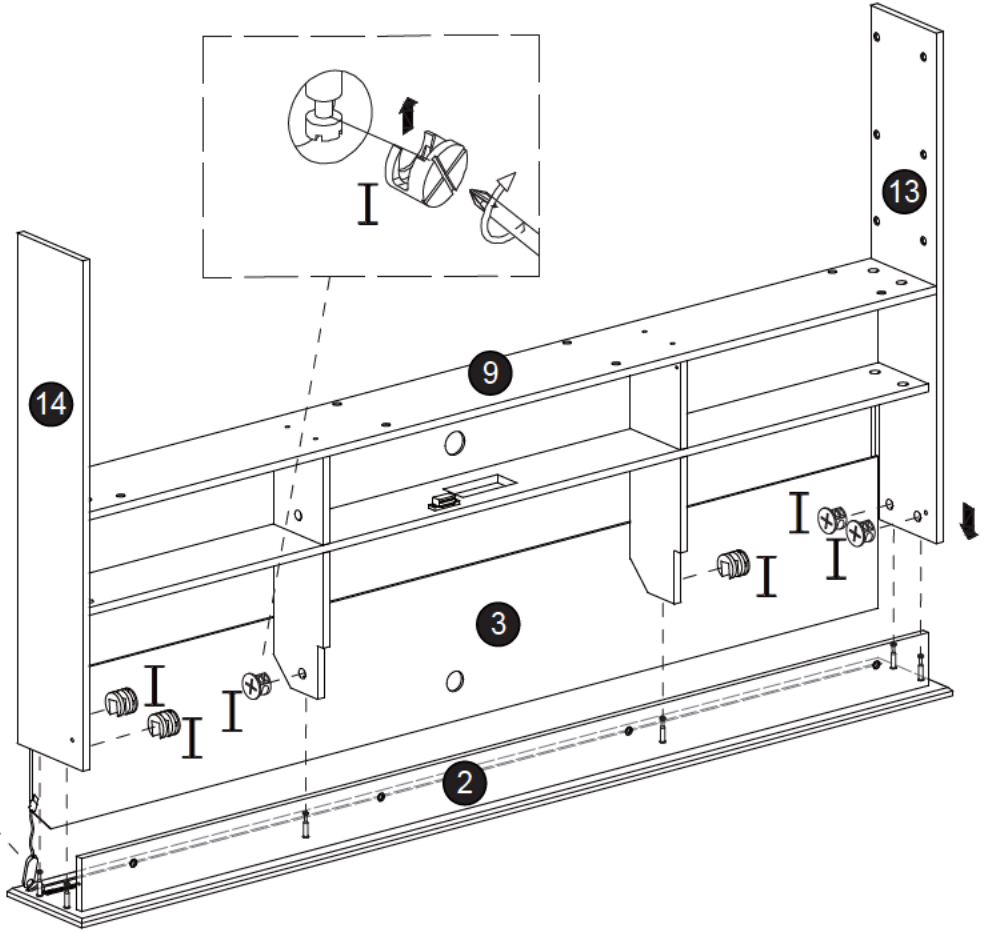
 Be careful not to overtighten the screws.


6



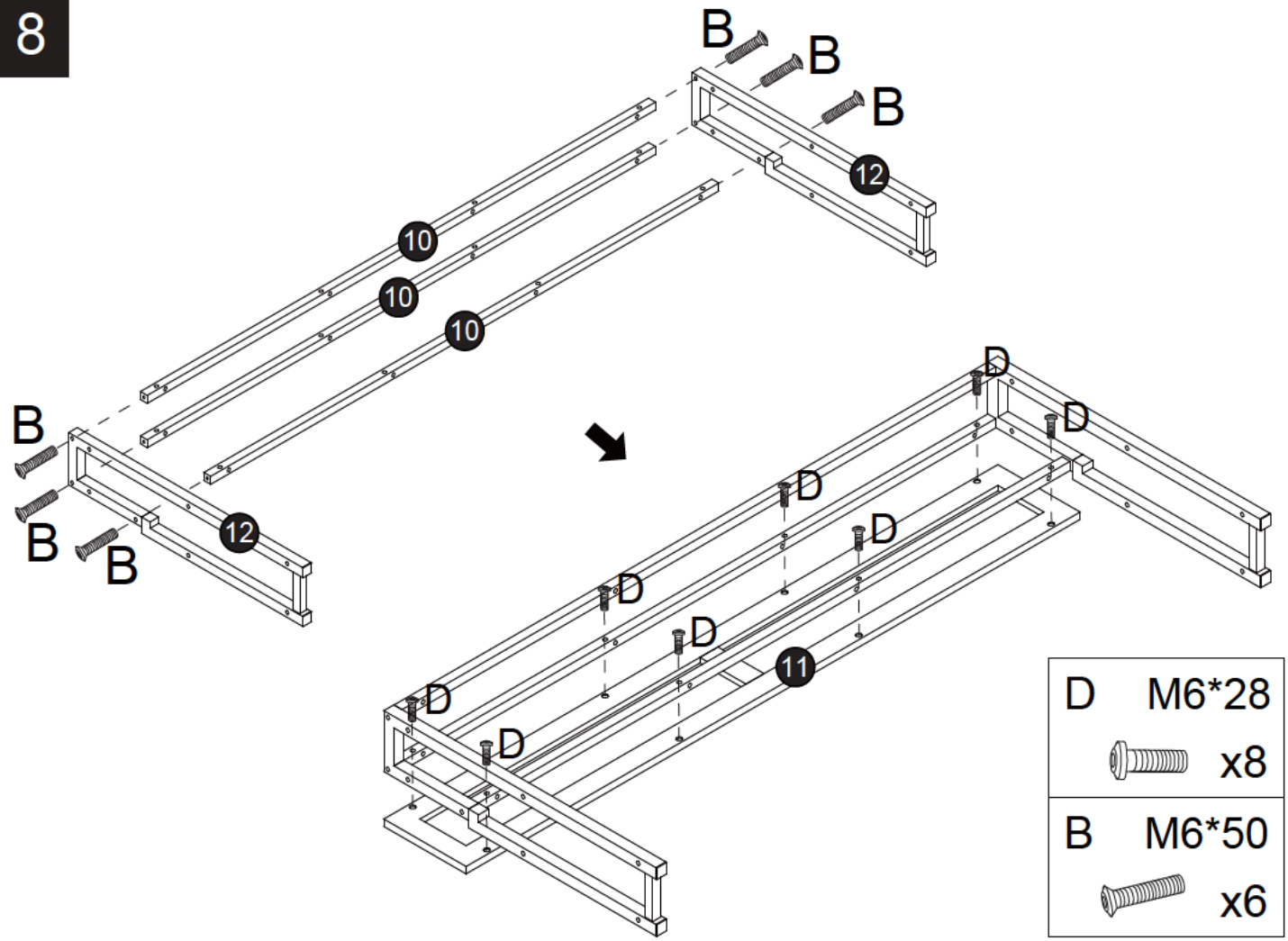
7

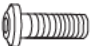

Please pay attention to the direction of board 3 and keep the light strip wire inside the cabinet.



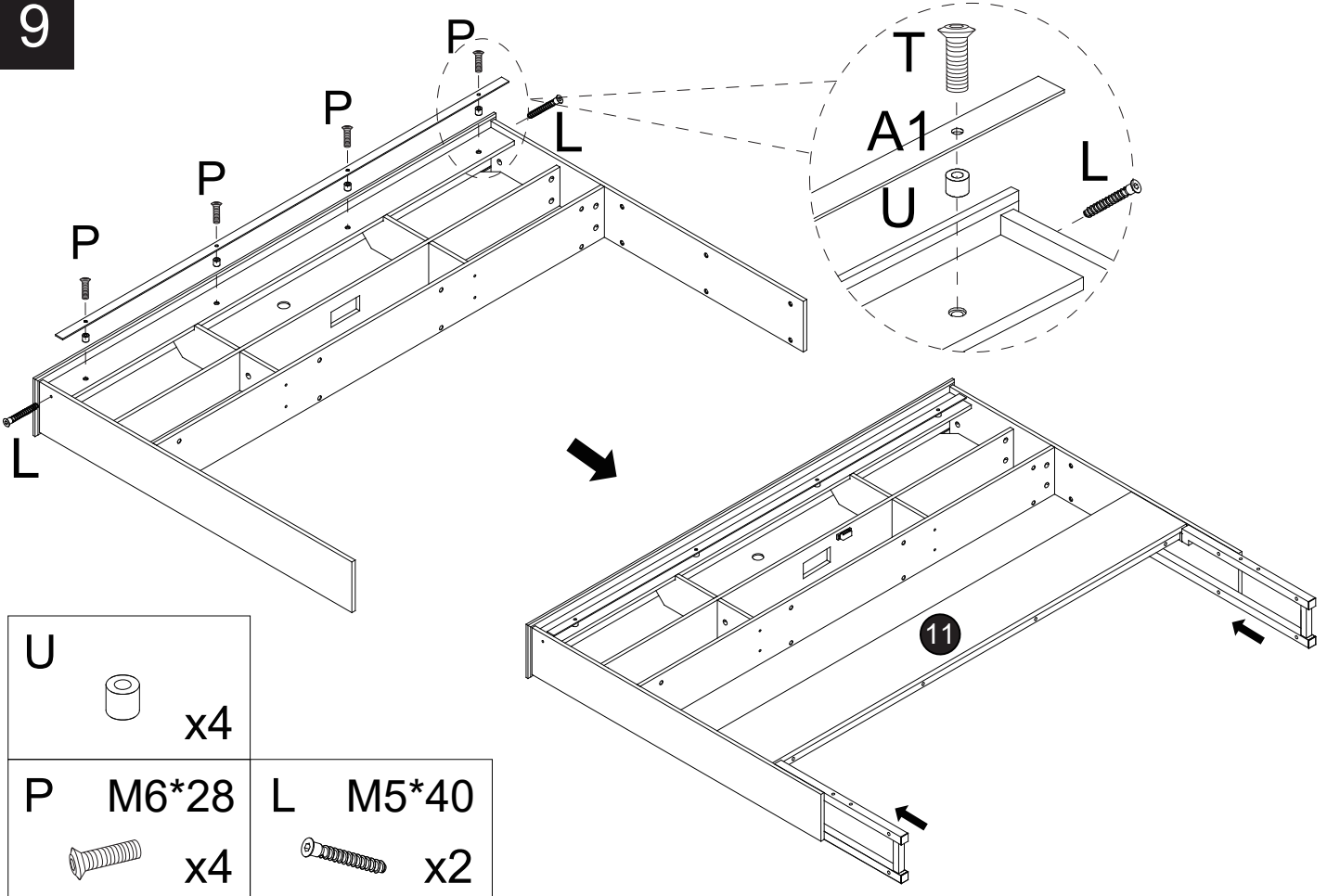
I	15*9
	x6


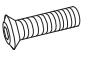

8



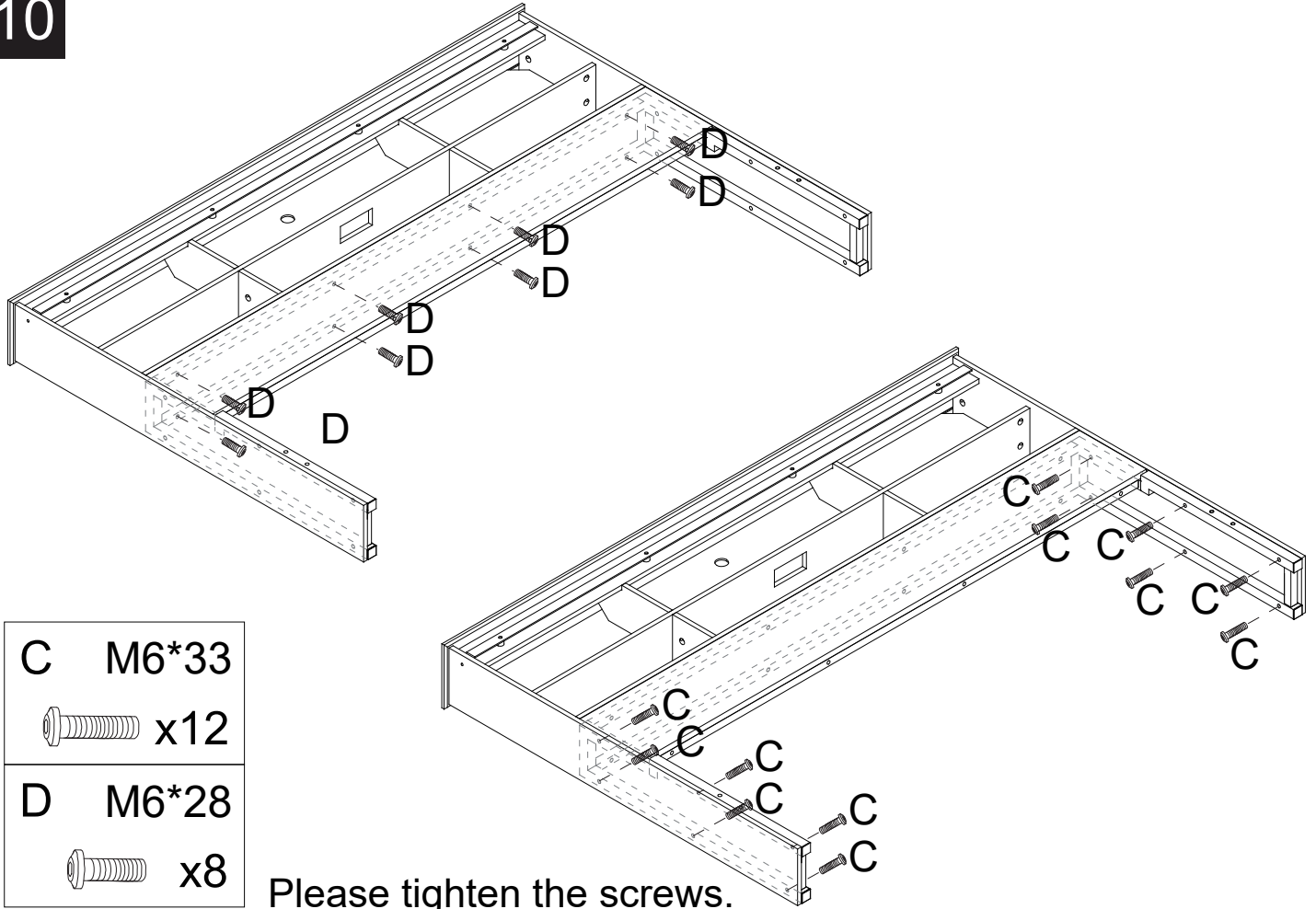
D	M6*28
	x8
B	M6*50
	x6


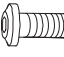
9



- |   |   |   |
|---|---|---|
| U |    | x4  |
| P | M6*28   | L M5*40   |
|   |  | x4  |
|   |   | L  |
|   |   | x2  |

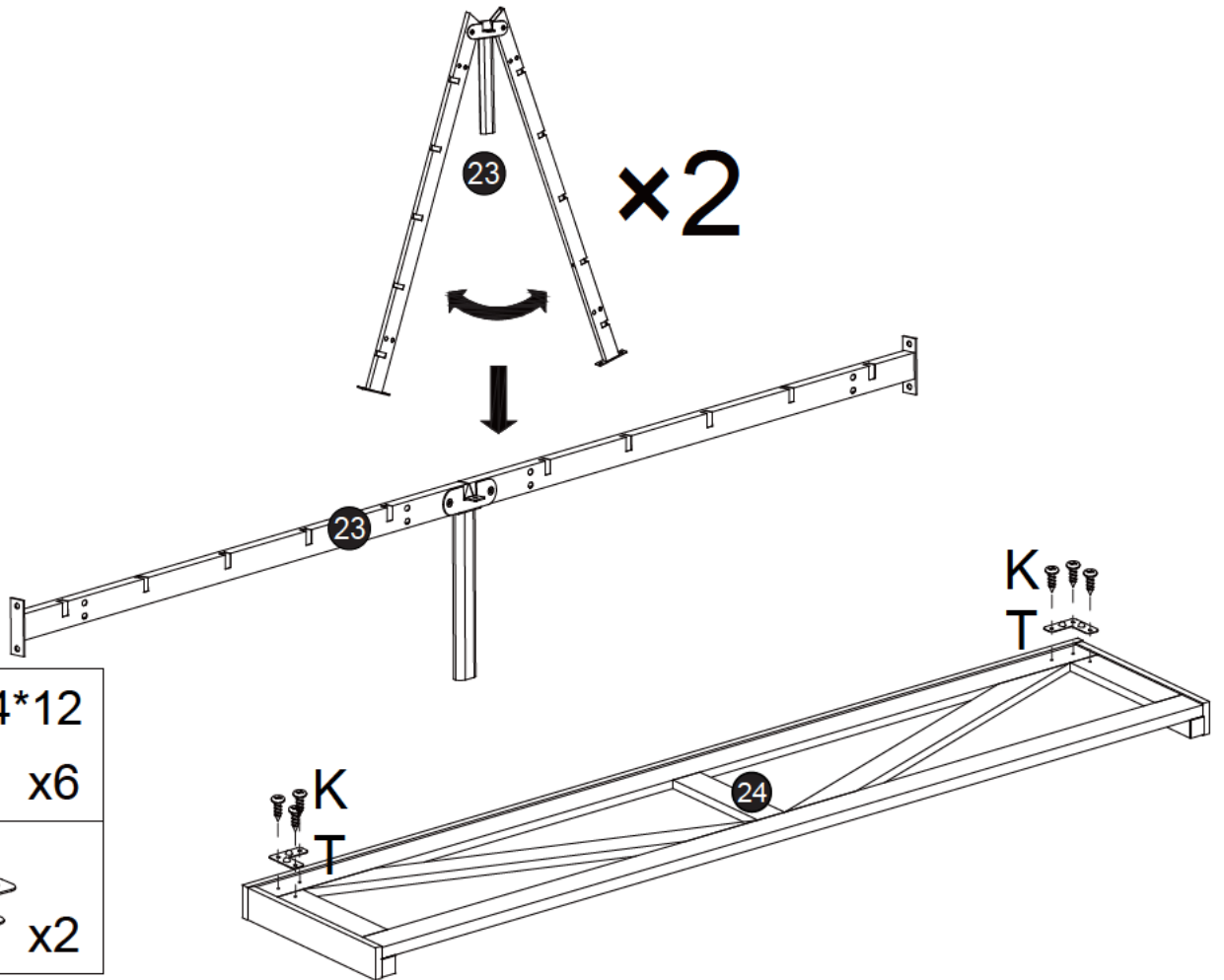
10





- |   |       |
|---|-------|
| C   | M6*33 |
|  | x12   |
| D   | M6*28 |
|  | x8    |

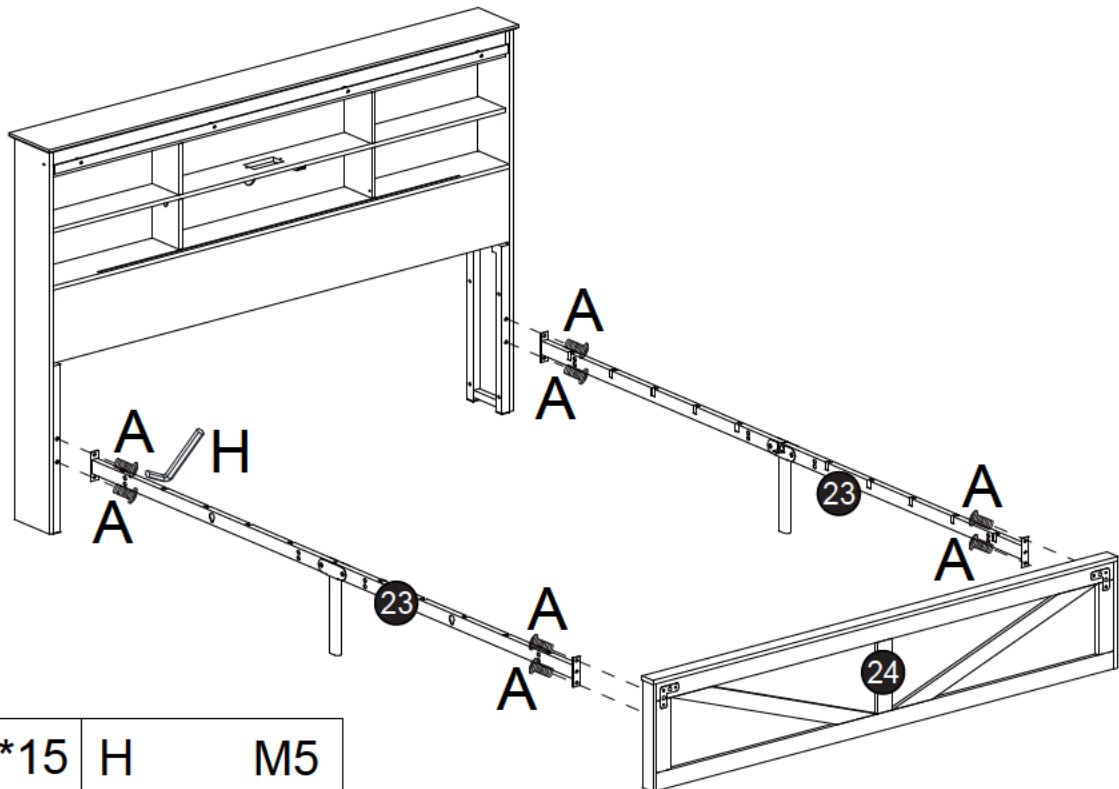
Please tighten the screws.



11



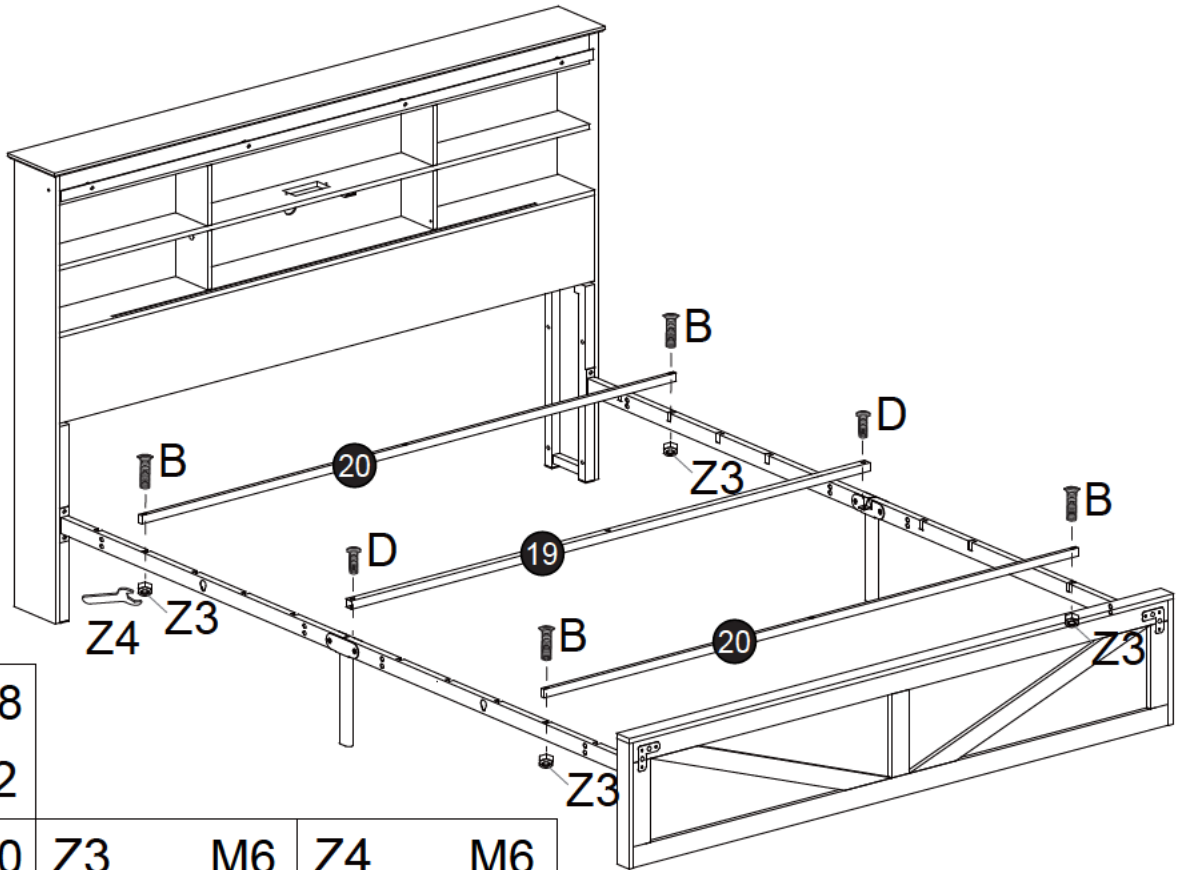
K	4*12		
	x6		
T			x2





12



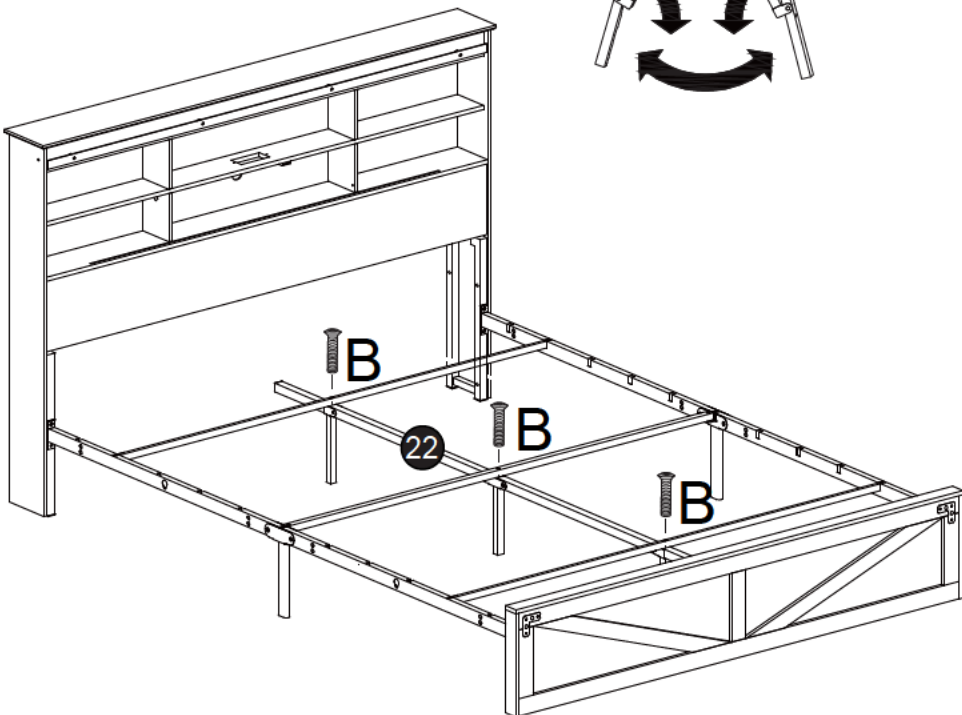
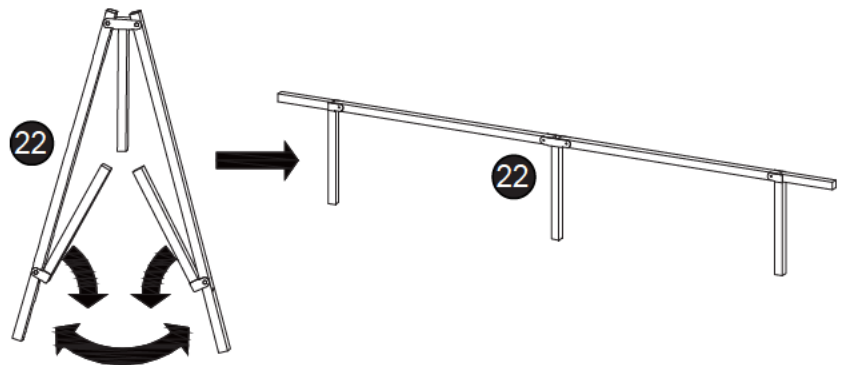
A	M8*15	H	M5
	x8		x1

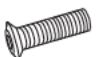
13



D	M6*28				
	x2				
B	M6*50	Z3	M6	Z4	M6
	x4		x4		x1

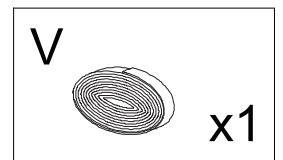
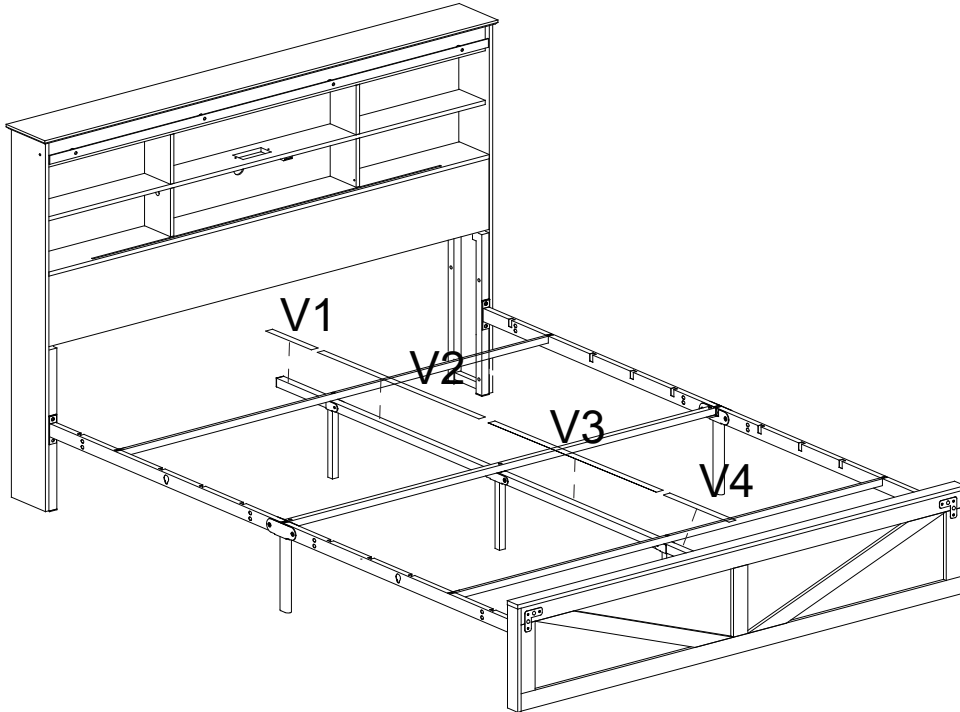
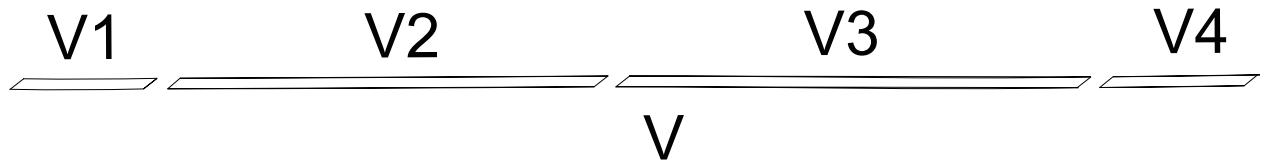
14



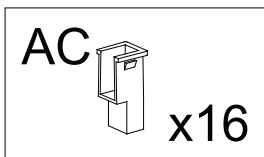
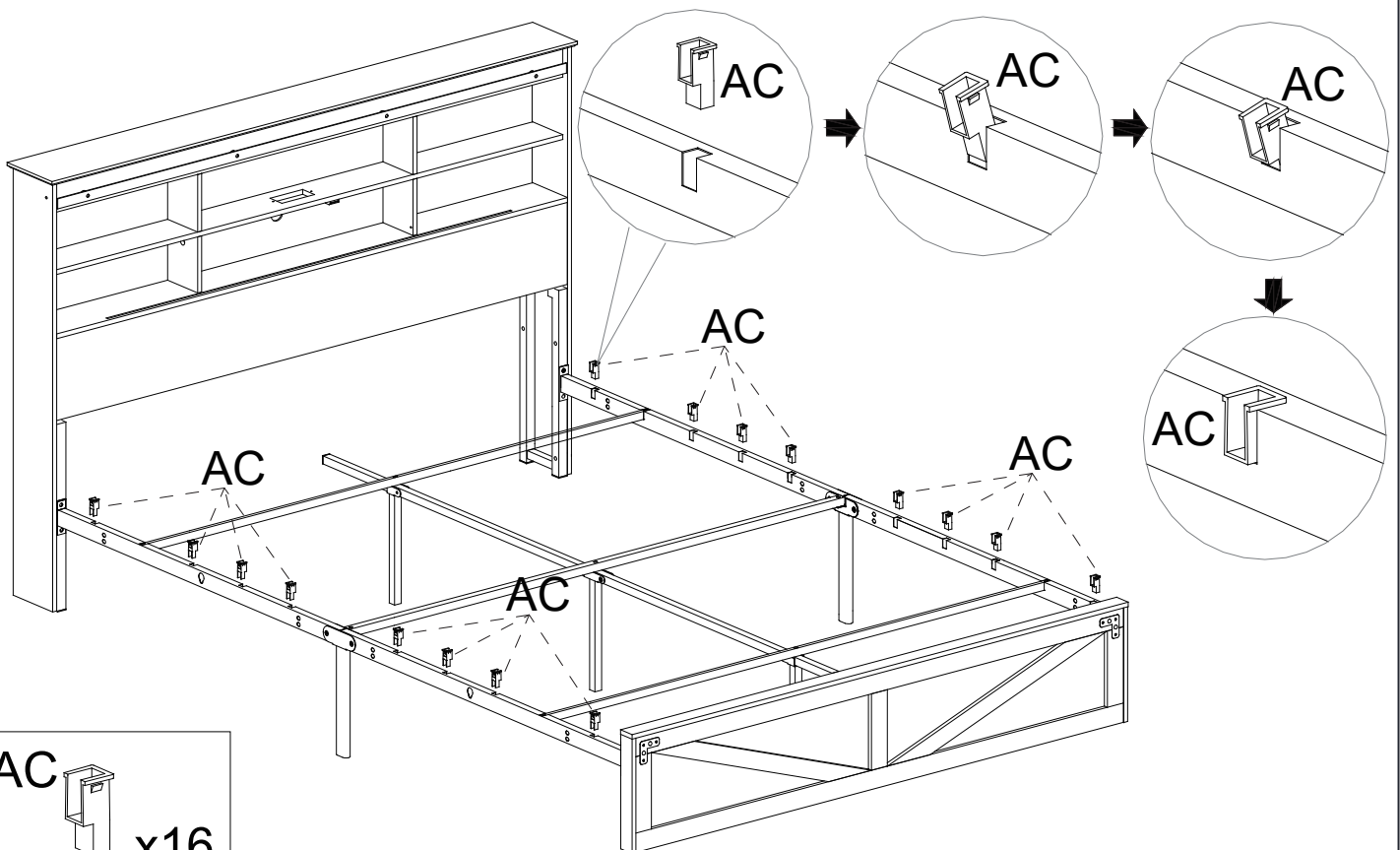
B	M6*50
	x3

15

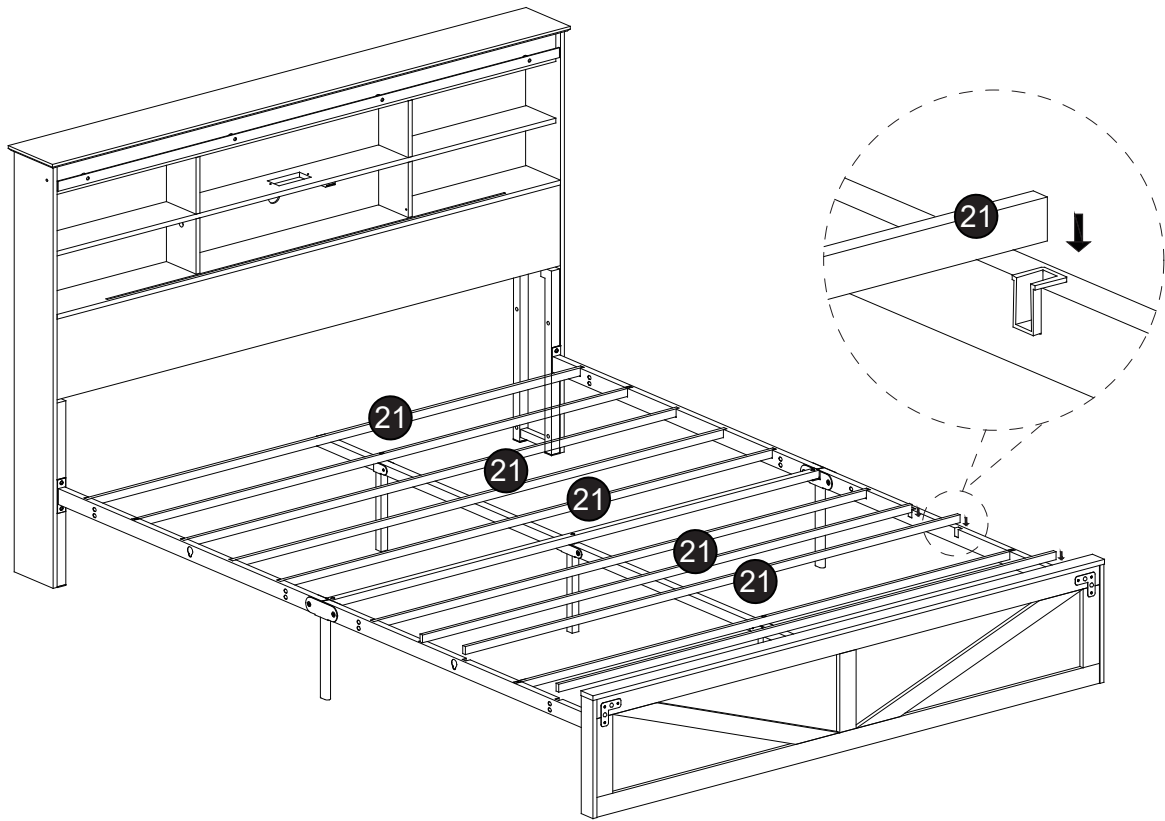
Divide the mute cotton into 4 portions and paste it.



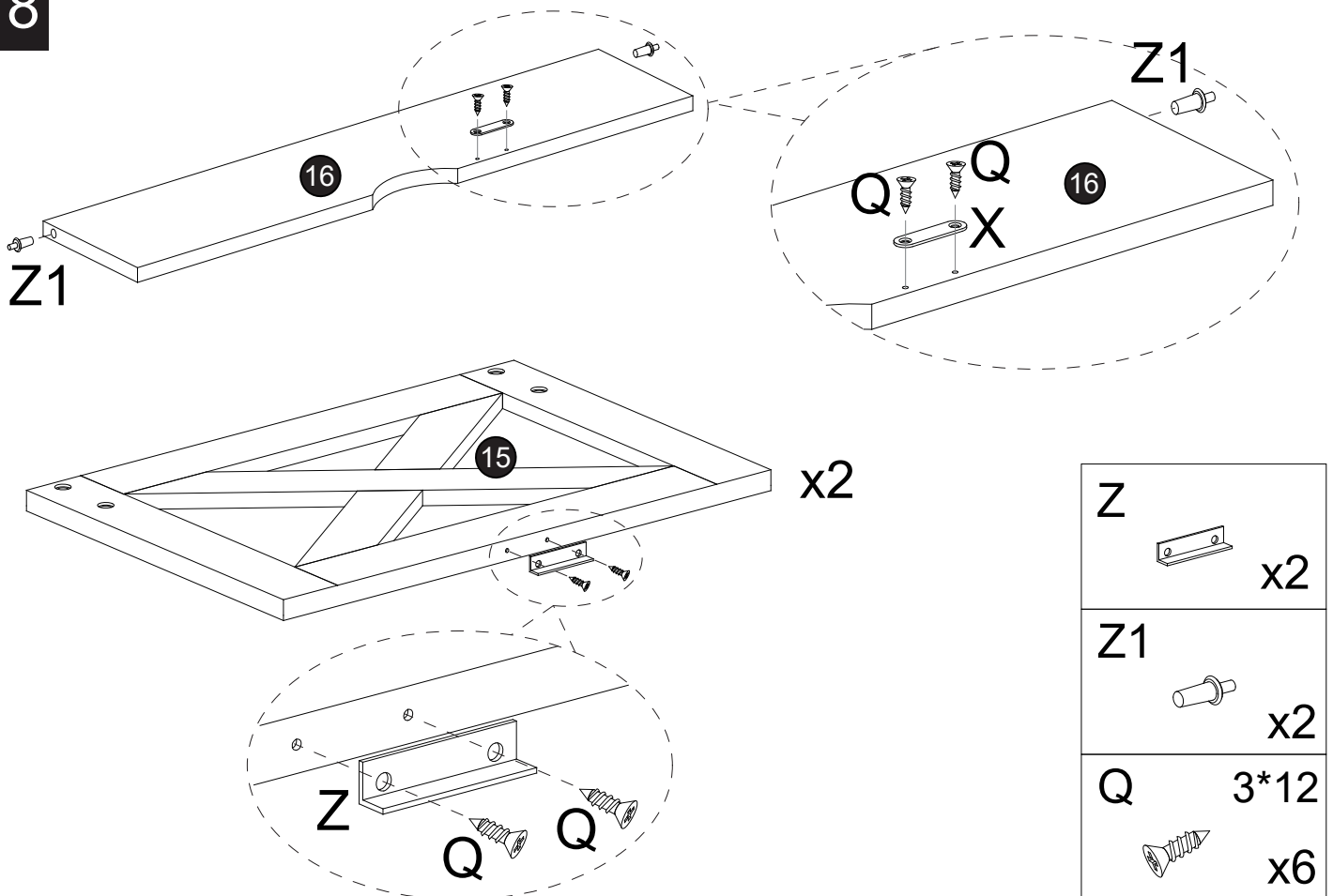
16



17

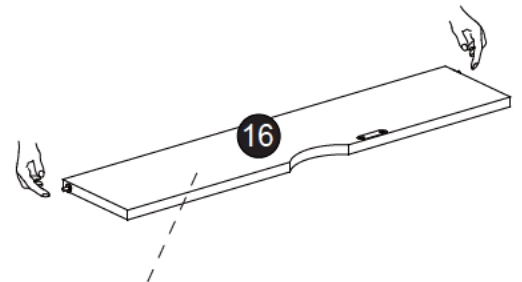
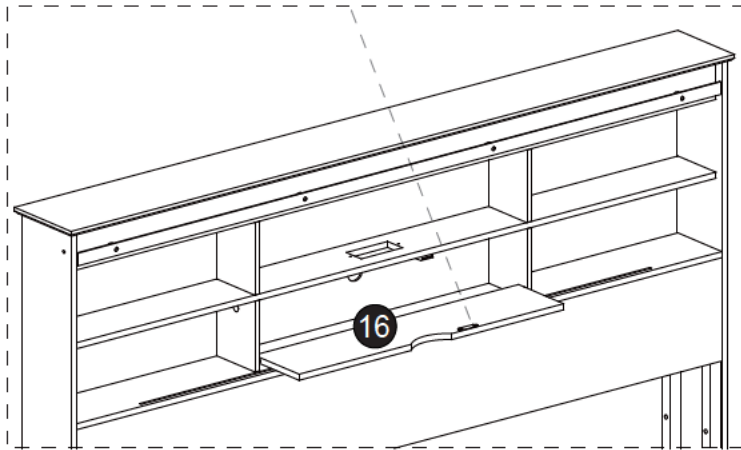


18

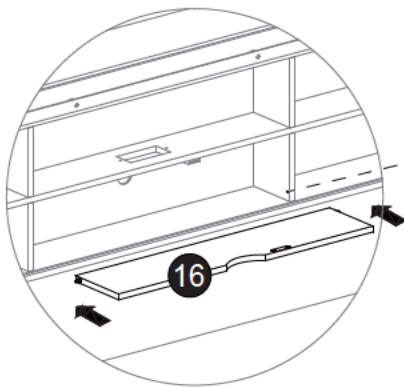


19

Please pay attention to the direction of the door suction iron when assembling the door panel.



1. Press and hold the buttons on both sides and do not release them.

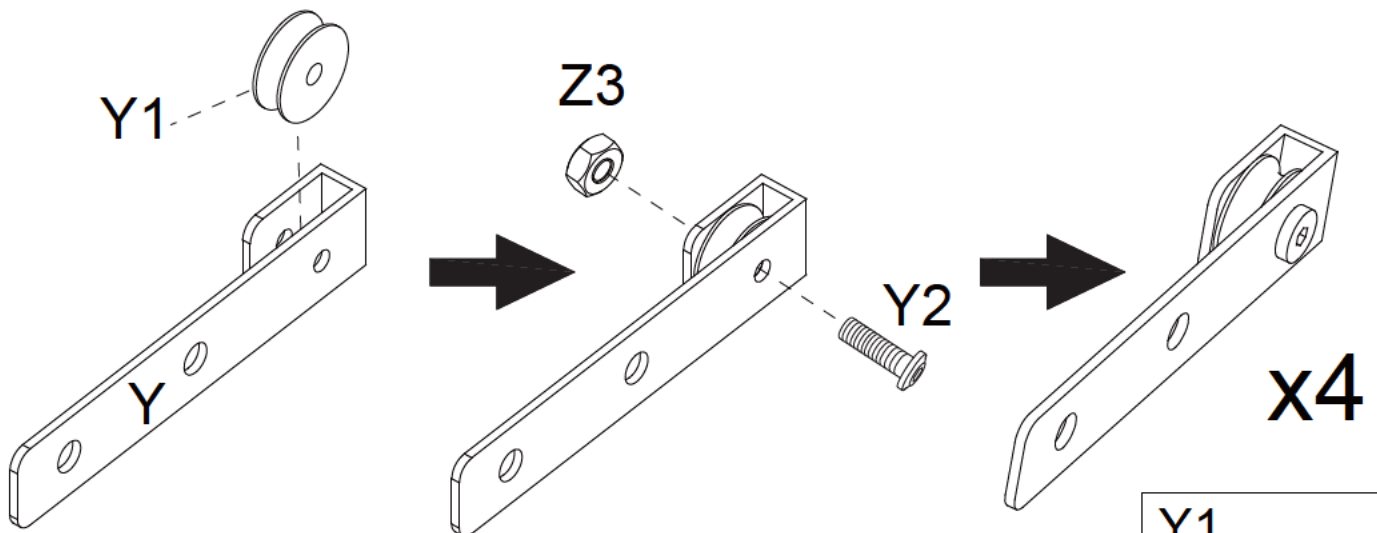



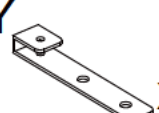



2. Please align the holes on the side panel and assemble the door panel.



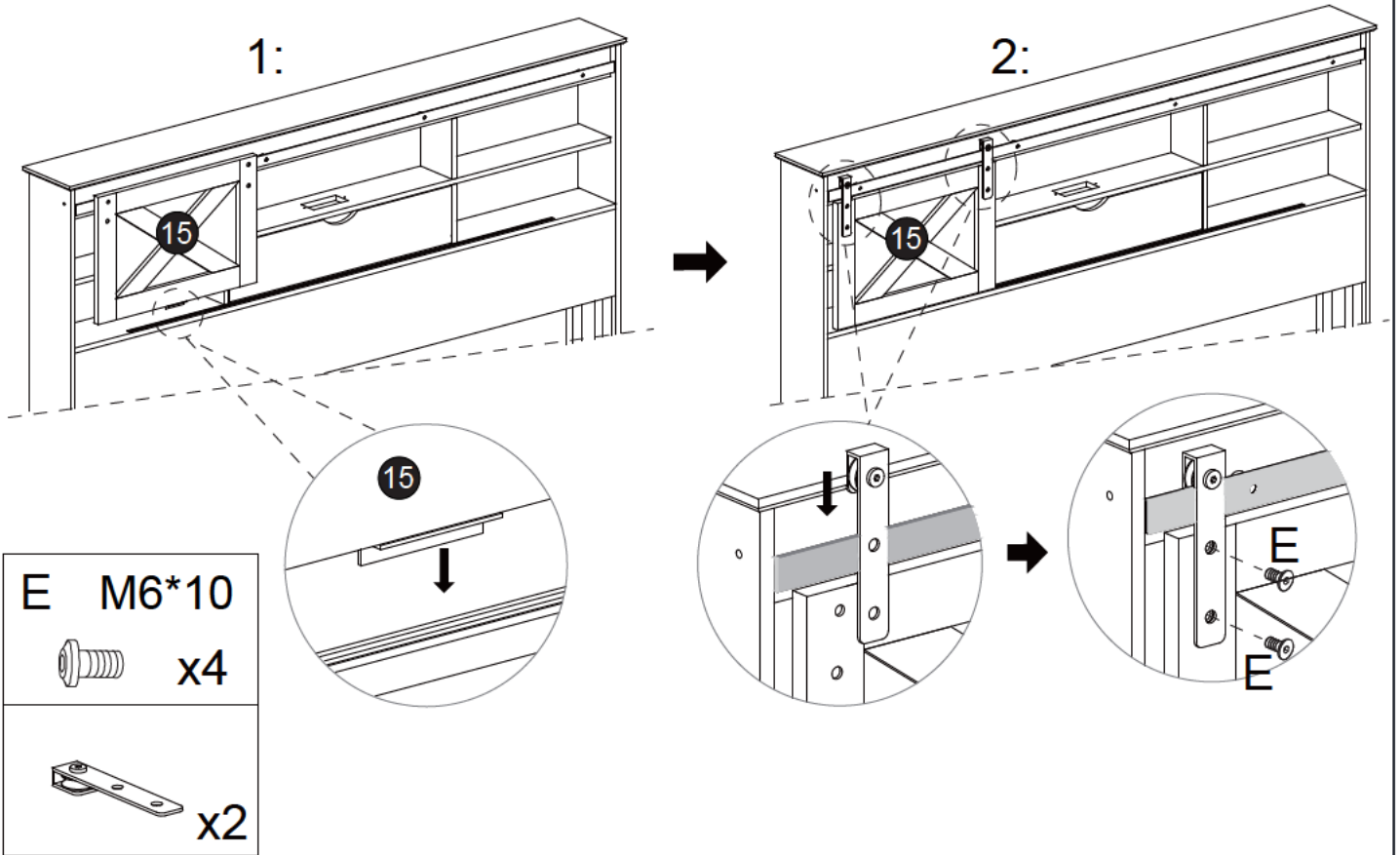
After assembly, please flip the door leaf up and close it.

20

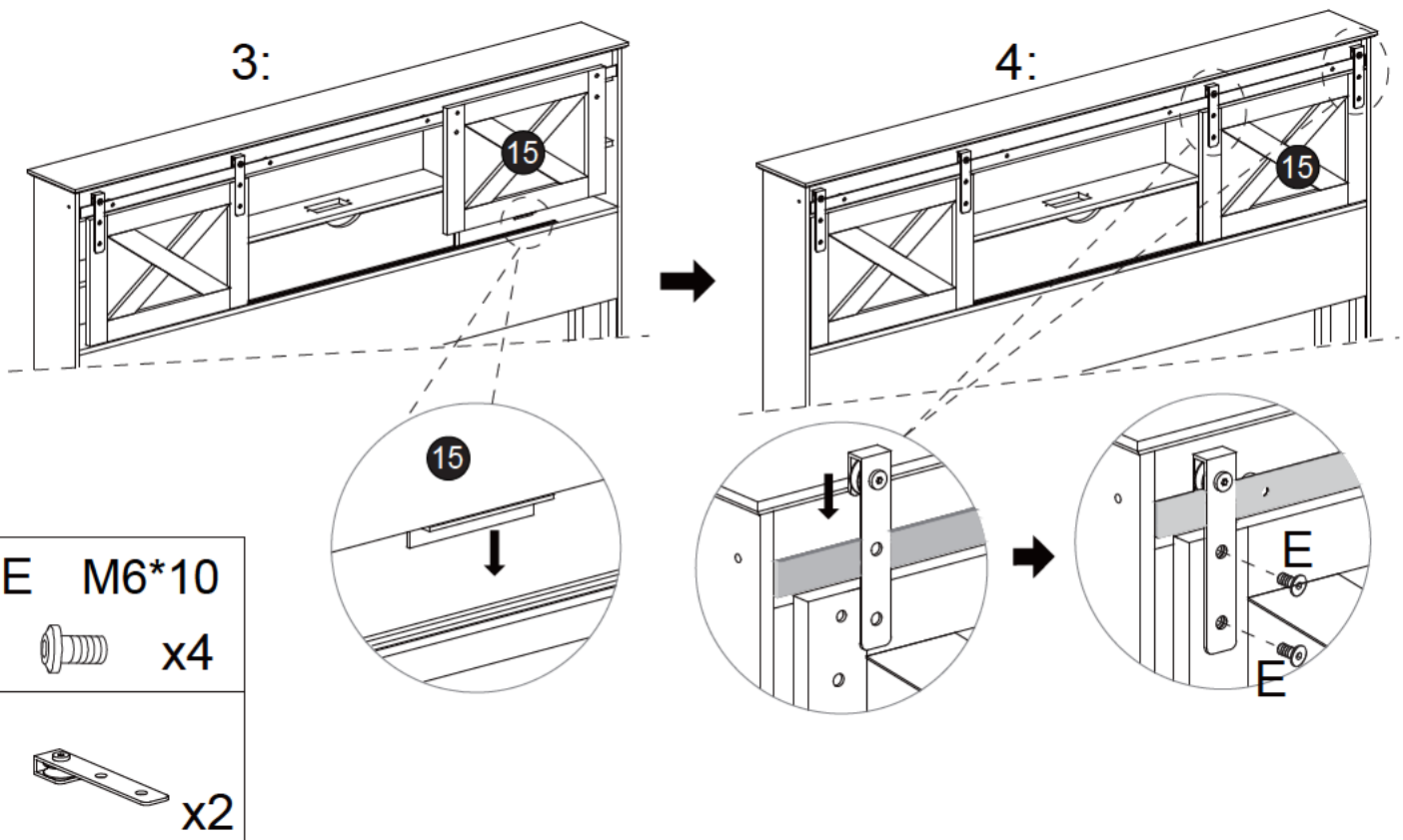


			Y1  x4
Y  x4	Z3  x4	M6 Y2  x4	M6*22  x4

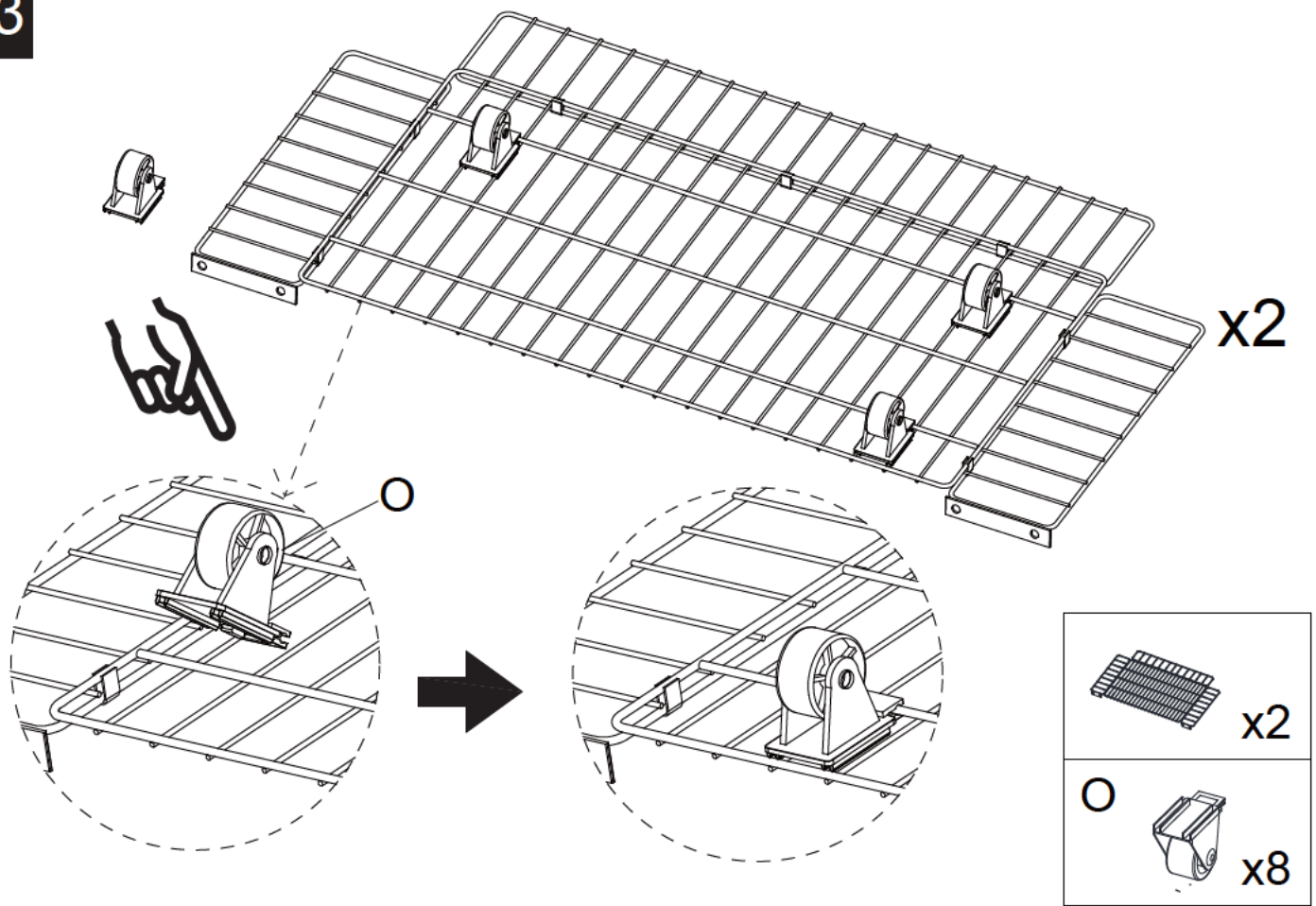
21



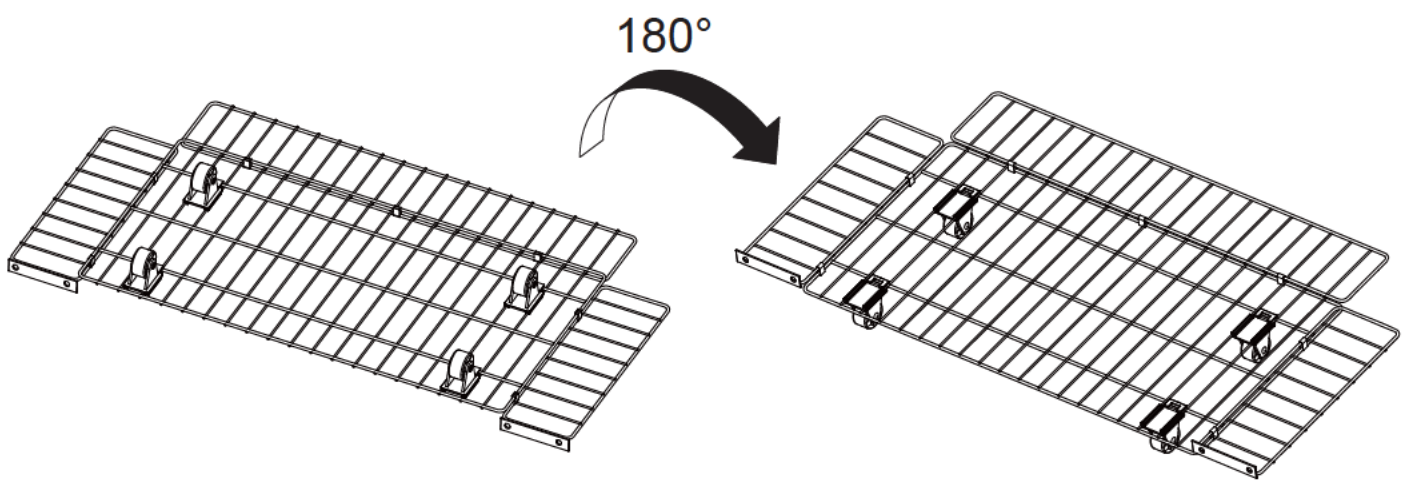
22

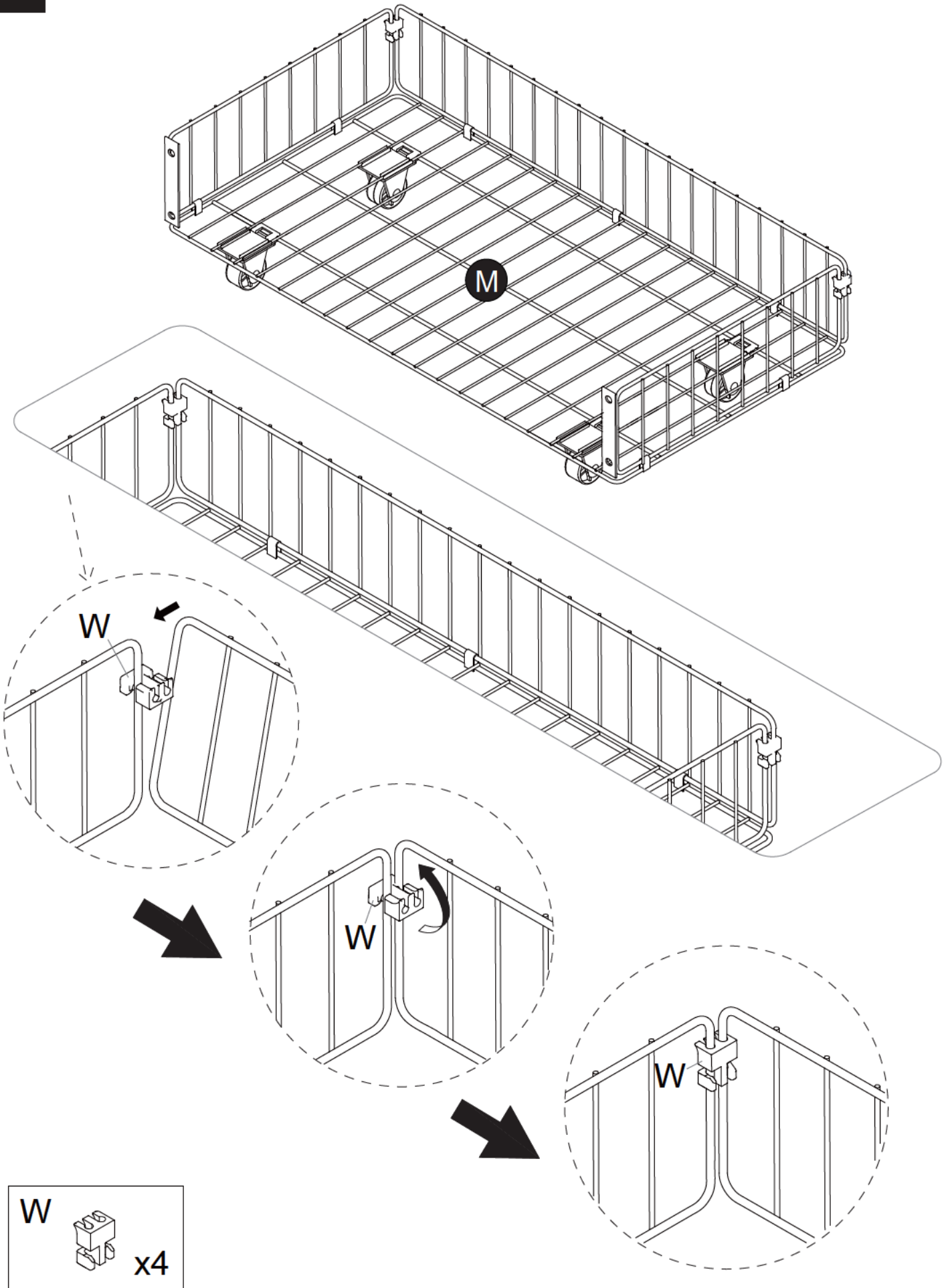


23

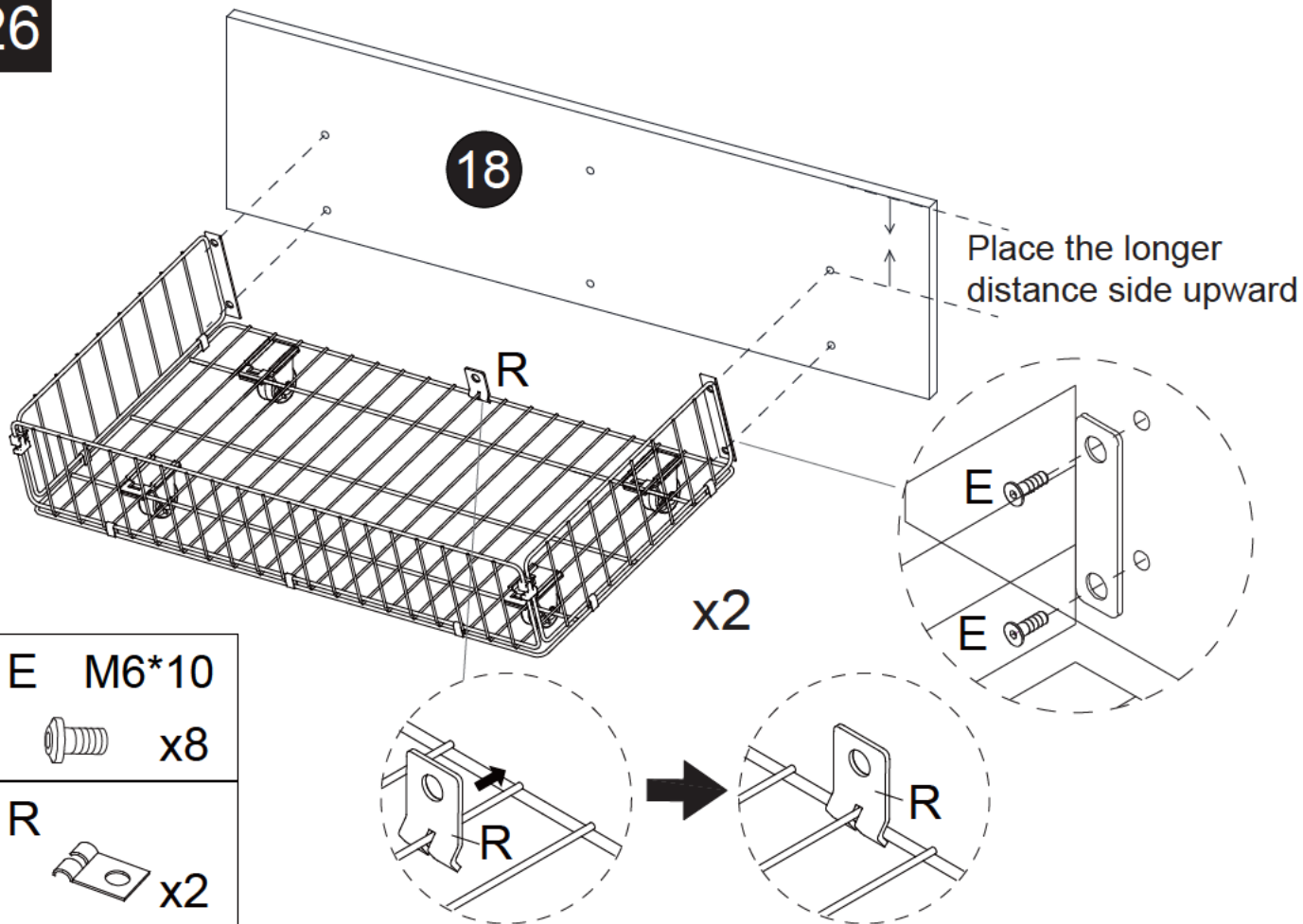


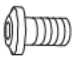

24



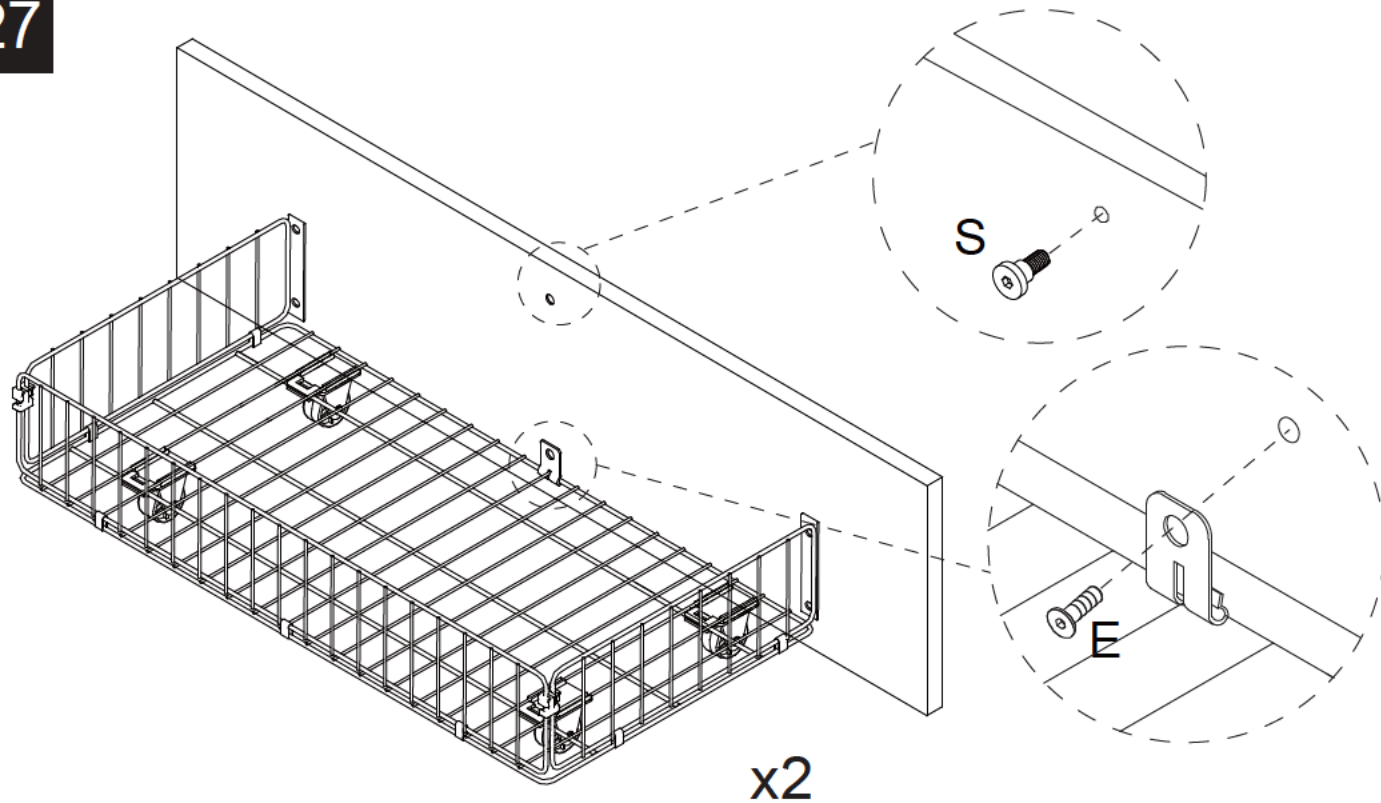


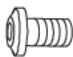

26



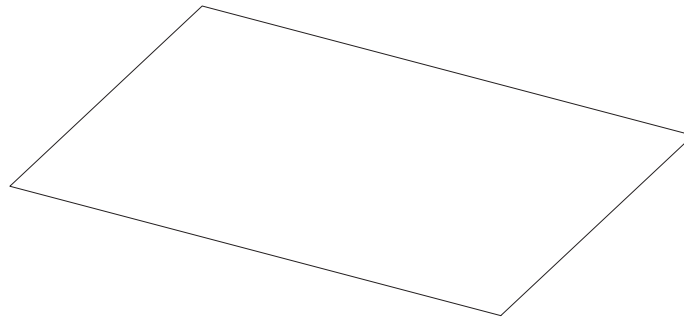
E	M6*10
	x8
R	
	x2

27

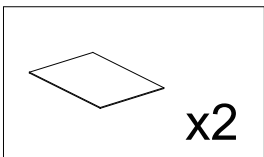
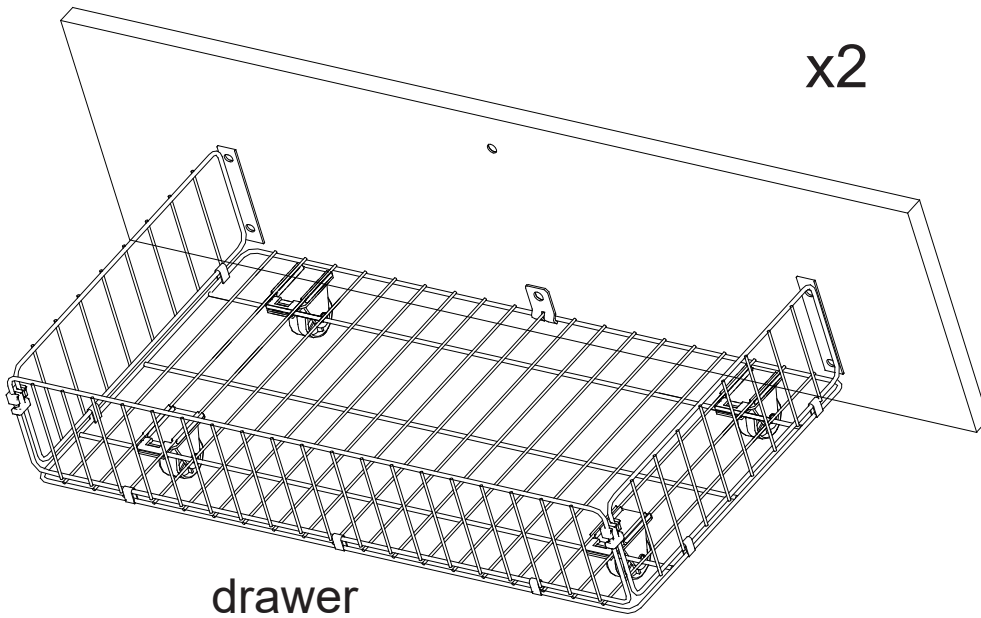
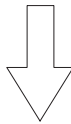


E	M6*10	S	M6*16
	x2		x2

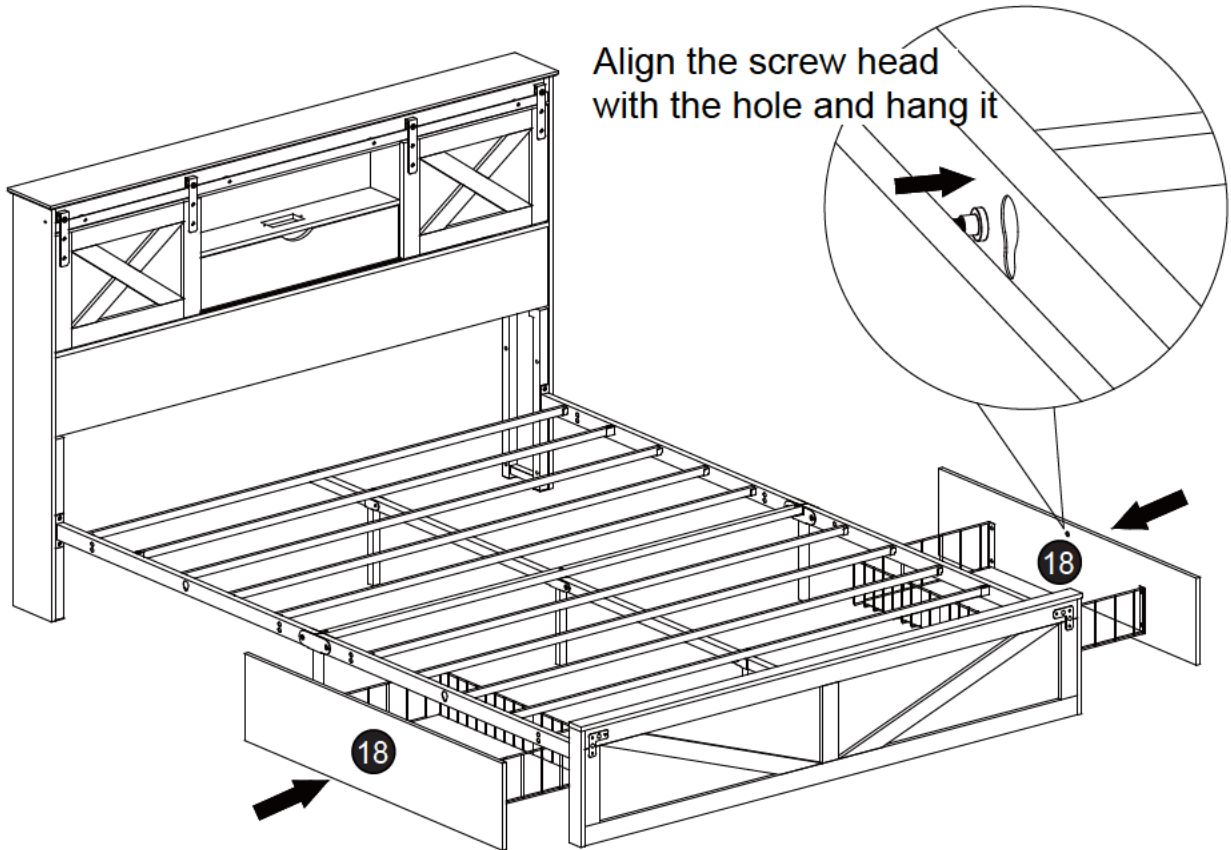
You must put the drawer pad  
in the drawer



Put it in

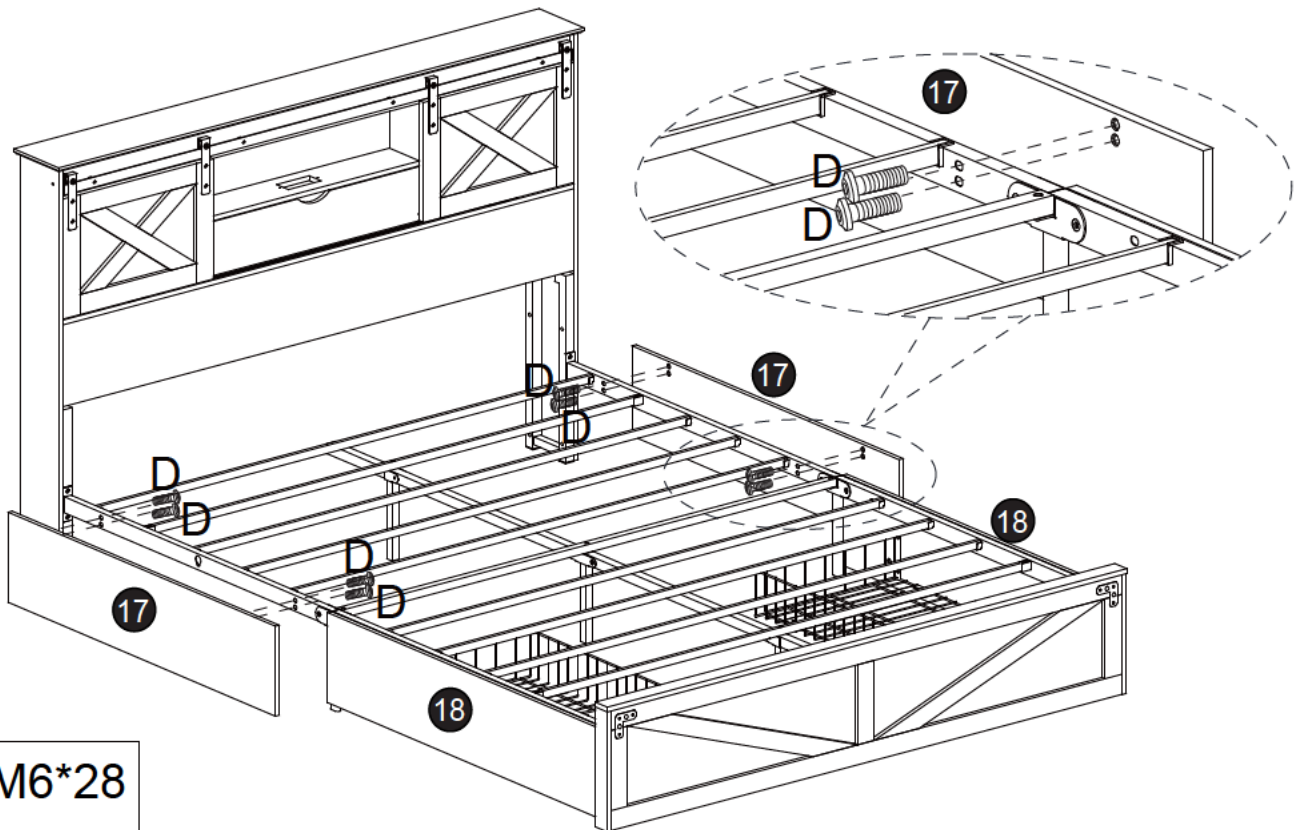


29



Please freely choose two locations to place drawers.

30

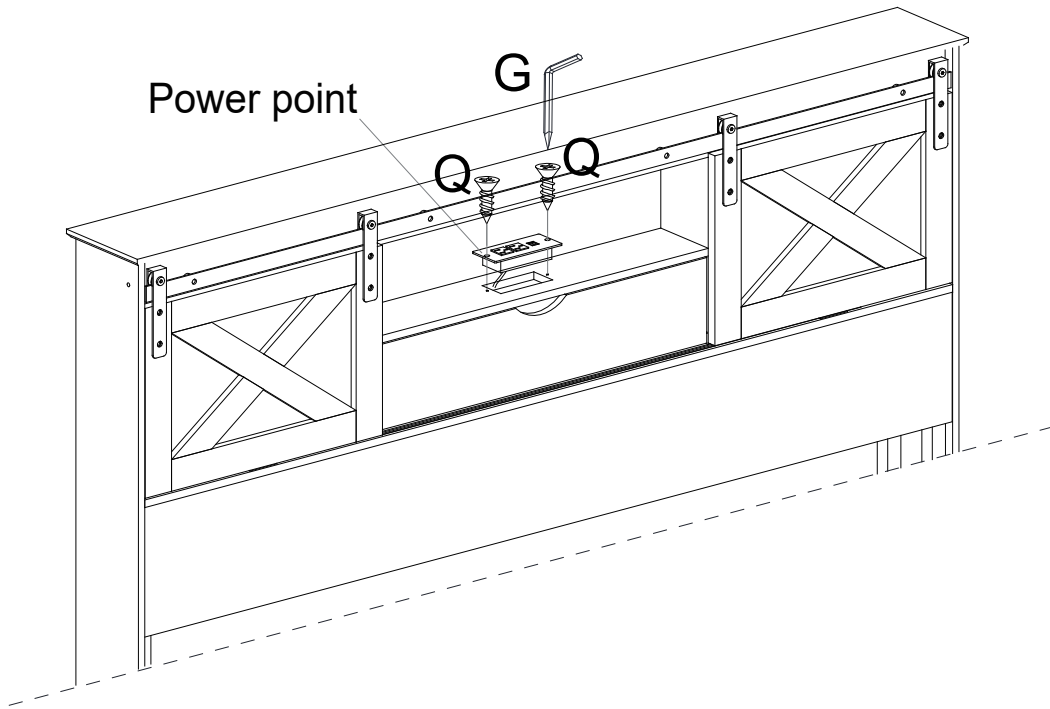



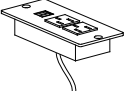
D M6\*28



x8

31

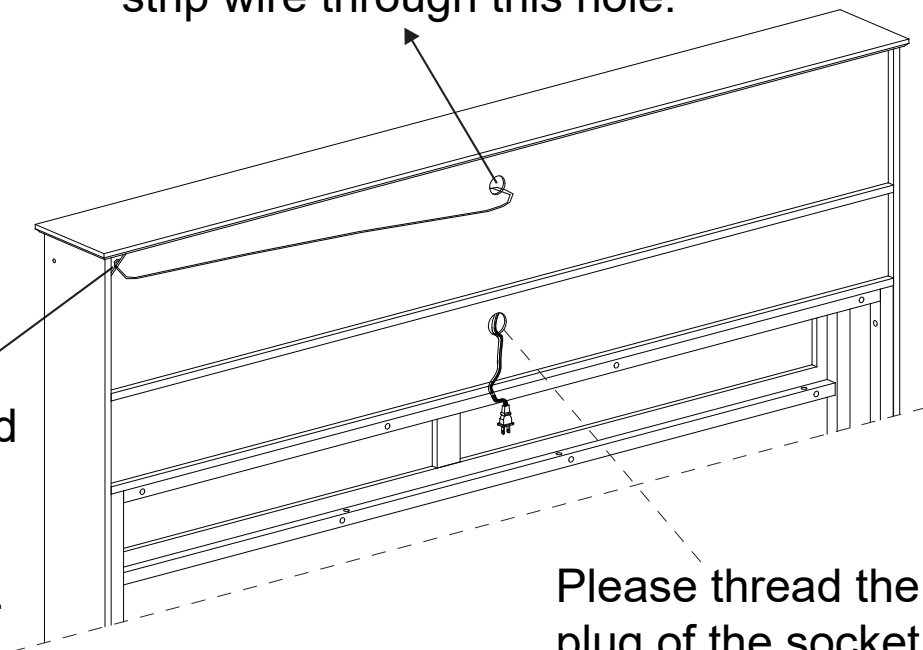


Q	3*12	Power point
	x2	 x1

32

2. Next, please thread the light strip wire through this hole.

1. Please thread the light strip wire through this hole first.



Please thread the plug of the socket through this hole.

