

ASSEMBLY INSTRUCTIONS

TOOLS REQUIRED:

Phillips Head Screwdriver (Not Provided)

BEFORE YOU START:

1. Check the parts against the parts list to make sure all items are present.
2. Assemble your furniture on a soft, flat surface to avoid scratching the finish.
3. **CAUTION:** Do not over tighten screws, nuts or bolts during assembly.
4. Your furniture may require occasional tightening.

INSTRUCTIONS:

1. Turn the case top upside down on a clean soft surface. Screw hanger bolt on Bun foot into spring insert on bottom base. Secure all bun feet and make sure they align together. (See Figure 1)
2. Place Pier Deck on top of Pier Base. Make sure the Deck is flush with the back edge and the side panels of the Base.
3. Secure the hutch to the base by rotating the mending plate down 90 degrees to a vertical position at the lower back edge of the Deck and using screw (A) into holes of mending plate. Tighten screw with Phillip head screwdriver. (See Figure 2)
4. Repeat the process for the other mending plates.
5. Carefully place the glass on its right location. (See Figure 3)
6. Repeat the process for the other glass.

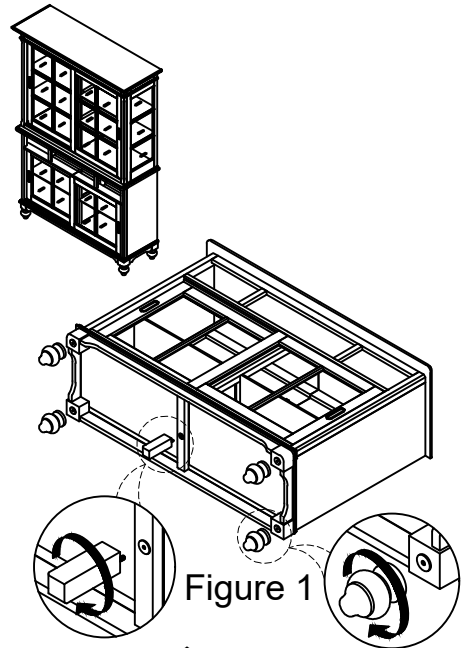
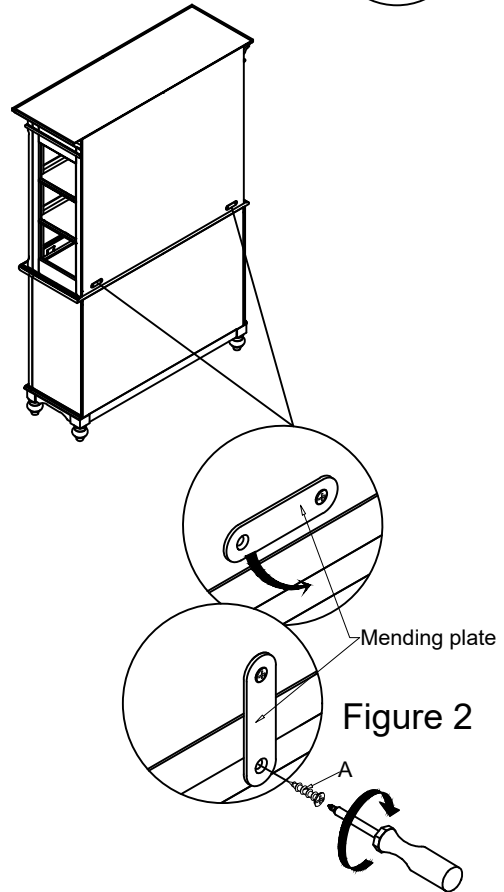


Figure 1



Mending plate

Figure 2

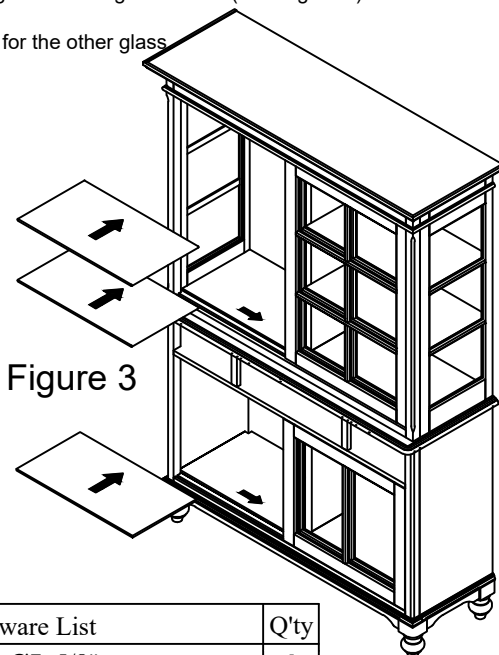



Figure 3

No.	Hardware List	Q'ty
A	 Screw Ø7x5/8"	2