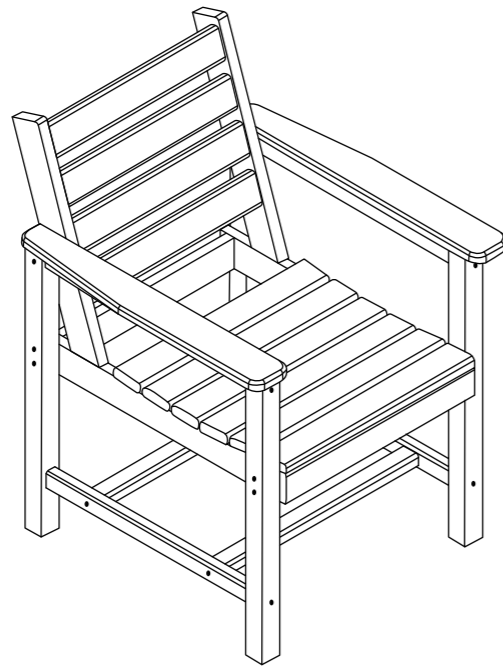


Chair



ATTENTION:

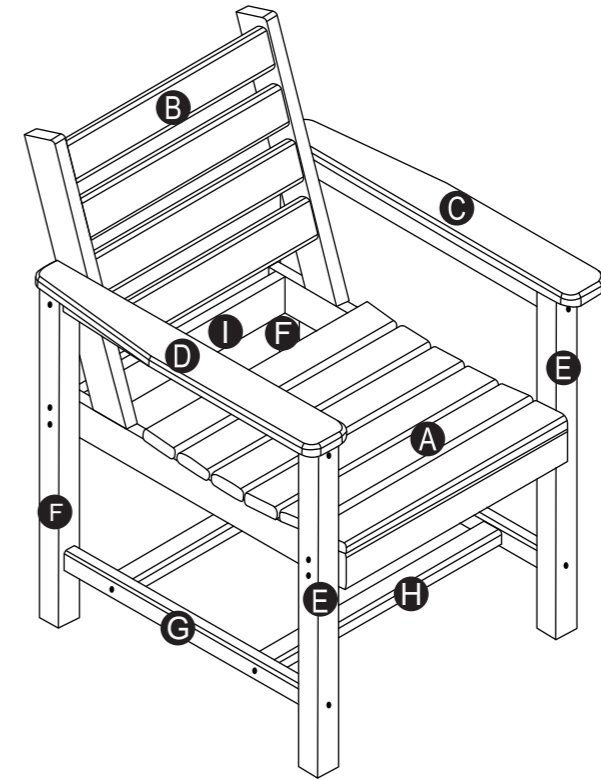
1. Please check the manual carefully and make sure you have received all the parts.
2. If there is anything missing, please let us know the letter of the needed part (see parts & hardware list below).
3. If there are any damaged pieces, please send us clear photos. We will respond promptly and offer our best support.



Parts List x3

A Seat panel 1PC	B Back panel 1PC	C Left arm 1PC	D Right arm 1PC	E front leg 2 PC	F hind leg 2 PC
G Side connecting rod 2PC	H Front connecting rod 2PC	I Posterior transverse 1PC	1 M6x70BOLT 6PC	2 M6x80SCREW 4PC	3 M6x70SCREW 10PC
4 M6x50SCREW 4 PC	5 M6 WASHER 6PC	6 WRENCH 6PC	7 ALLEN WRENCH 1PC	8 WRENCH 1PC	

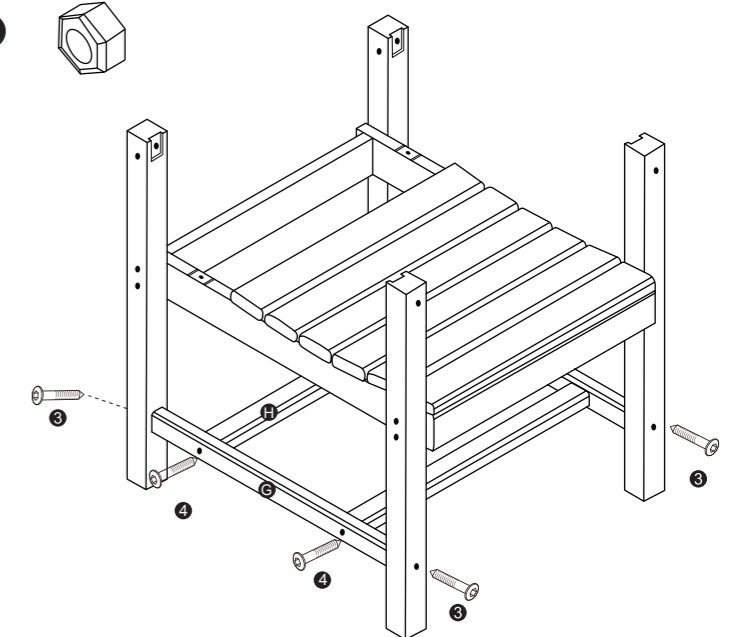
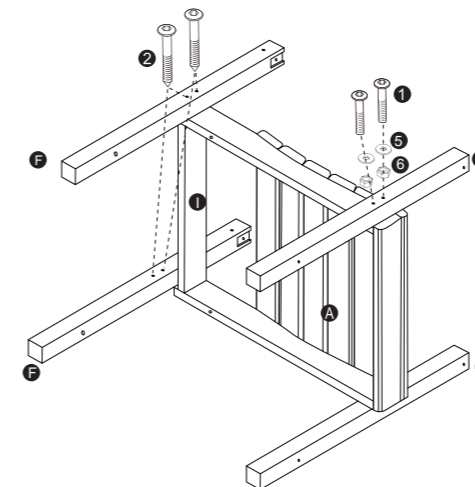
Assembly



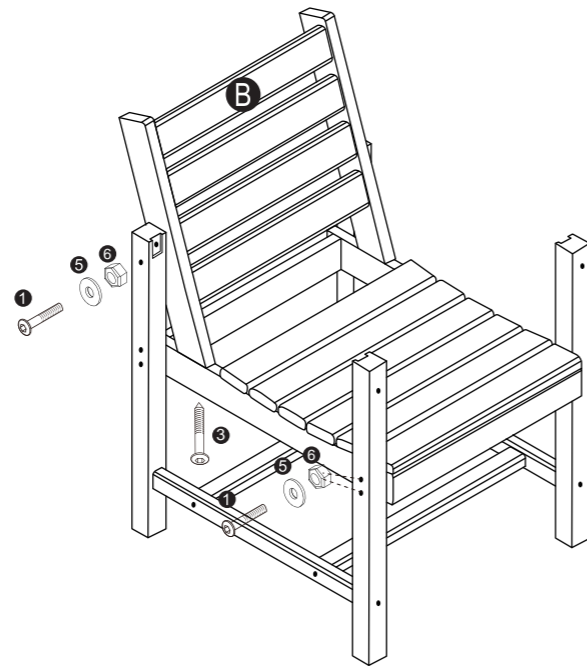
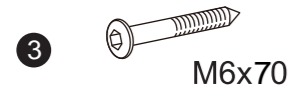
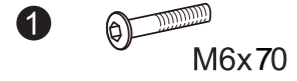
STEP1

STEP2

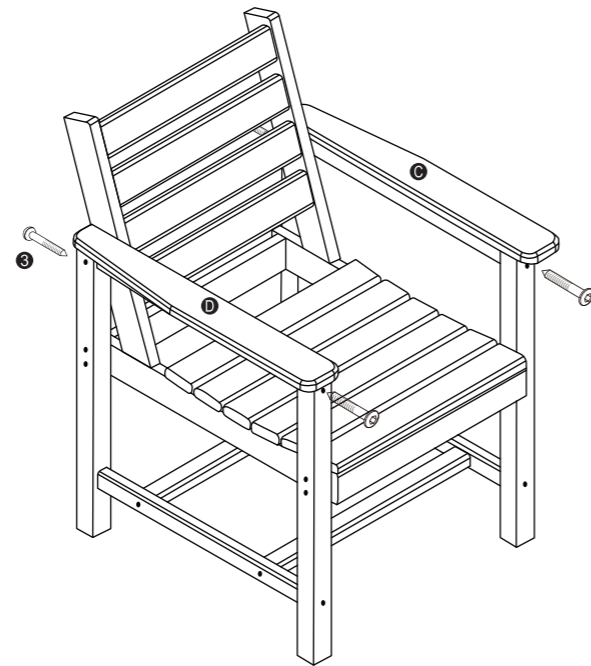
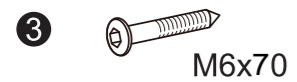
! Side-down placement will make installation easier.



STEP3



STEP4



Tighten all screws after assembly.

Attention

Customer Support Statement

We are committed to providing you with the best customer support. If you have any questions or issues during the installation process, please contact us via email (see contact information below) and provide your phone number and address. We will provide installation support, guided videos, and offer replacement for any defective parts. We ensure that we will respond to your inquiries within 24 hours to guarantee your satisfaction. Customer satisfaction is crucial to us!

Email Contact: faftersales@outlook.com

