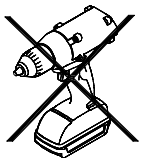
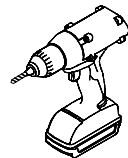
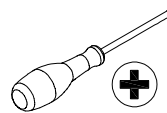
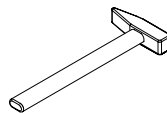
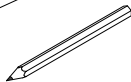
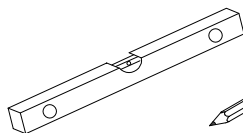
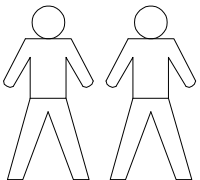
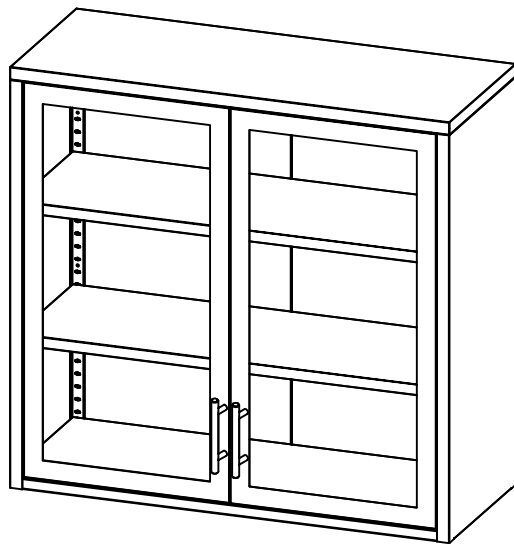
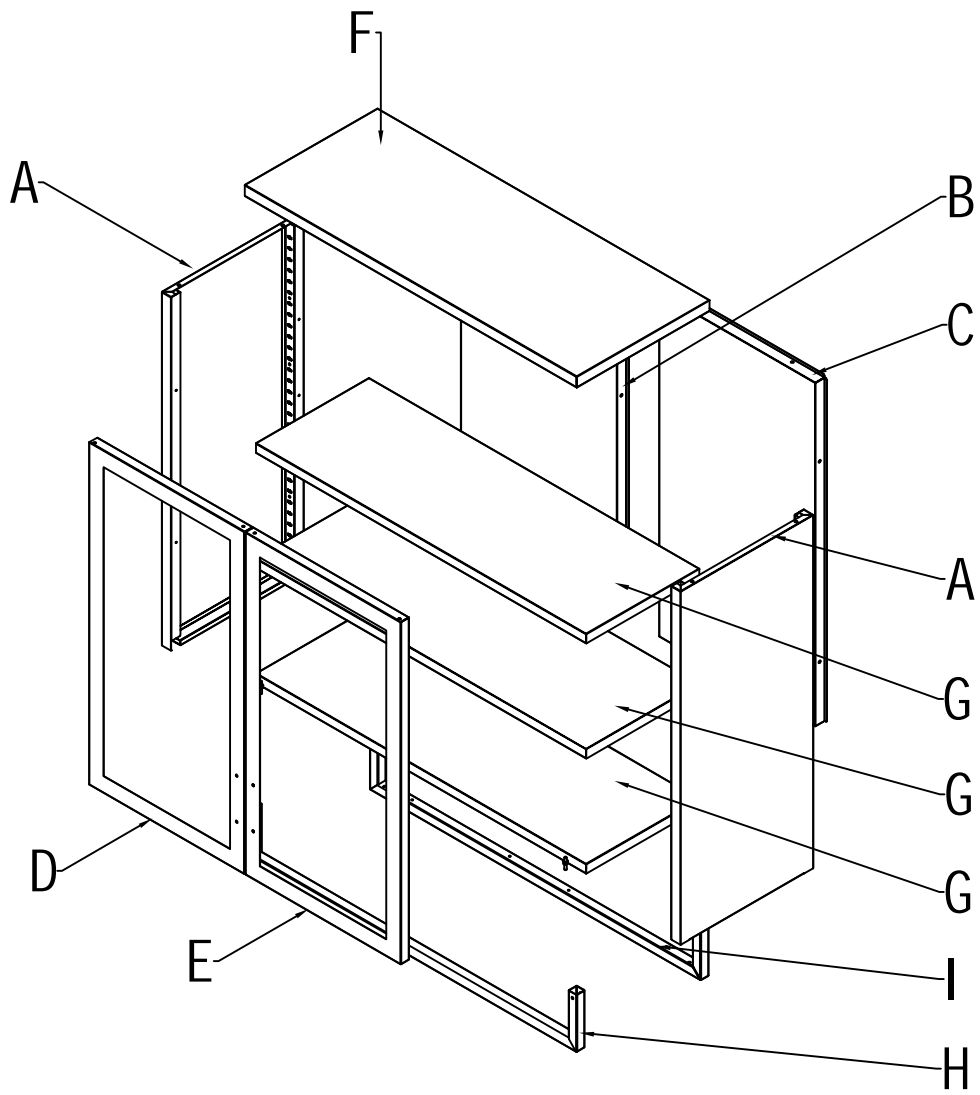


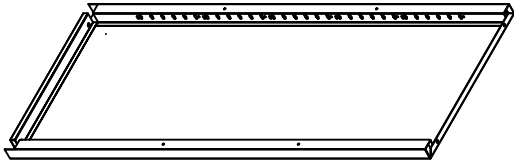
ASSEMBLY INSTRUCTION



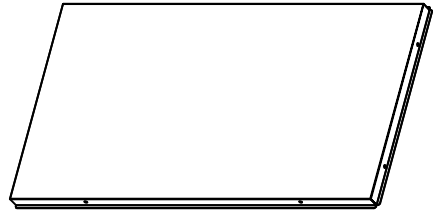
1/9



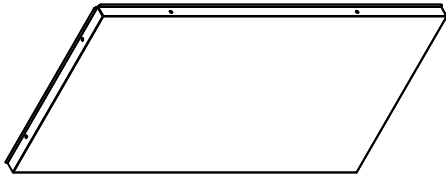
A*2



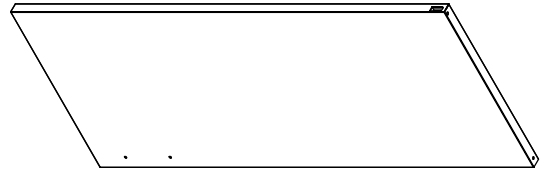
B*1



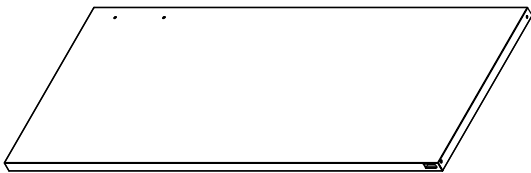
C*1



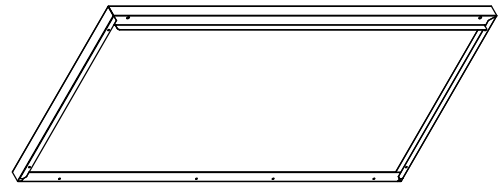
D*1



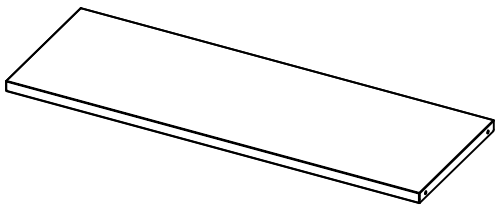
E*1



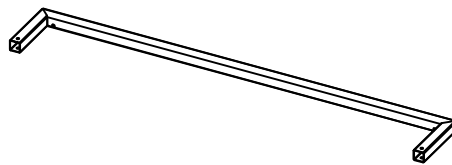
F*1



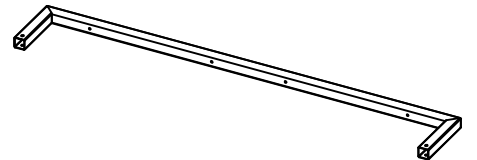
G*3



H*1



I*1



a



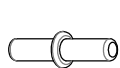
×2

b



×8

c



×2

d



×6

e



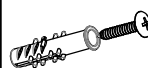
×22

f



×4

g



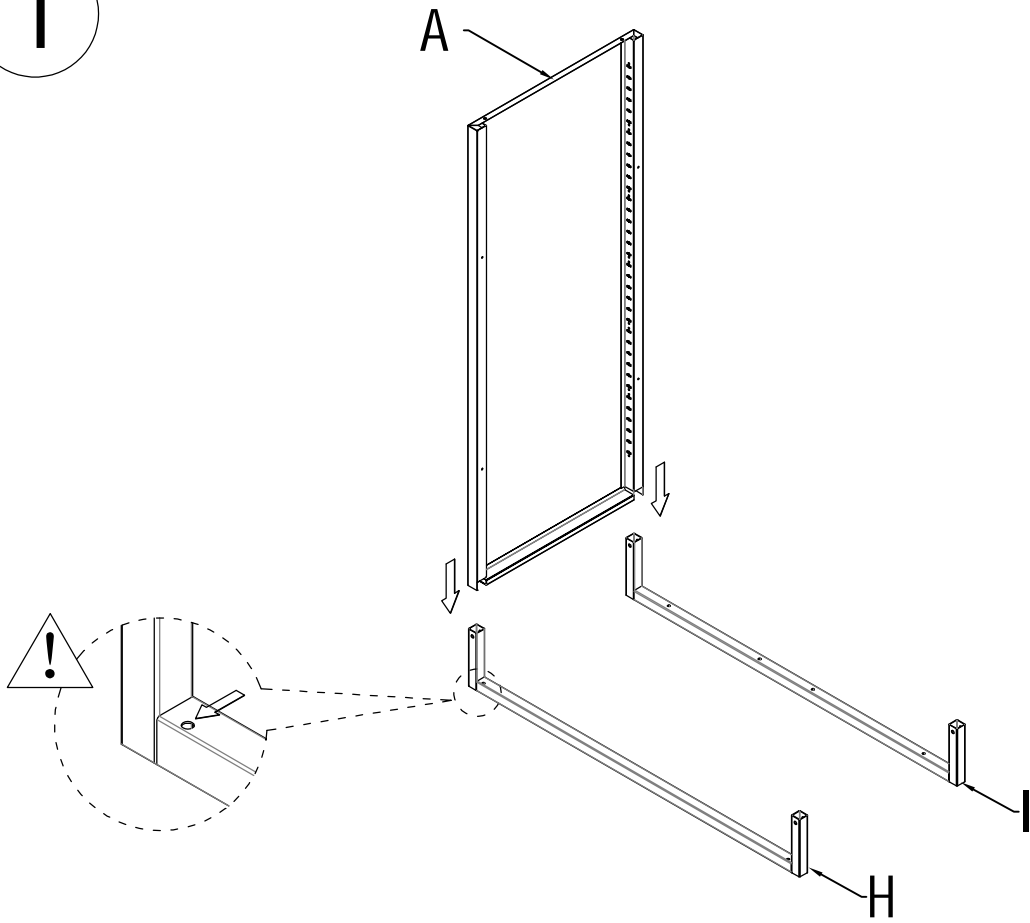
×4

h

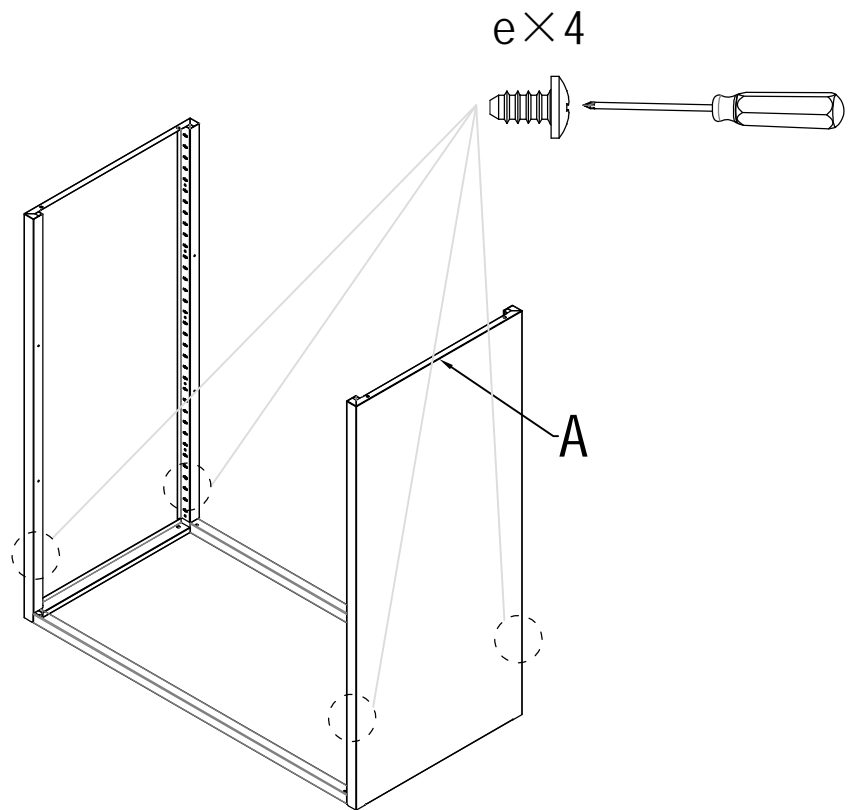


×2

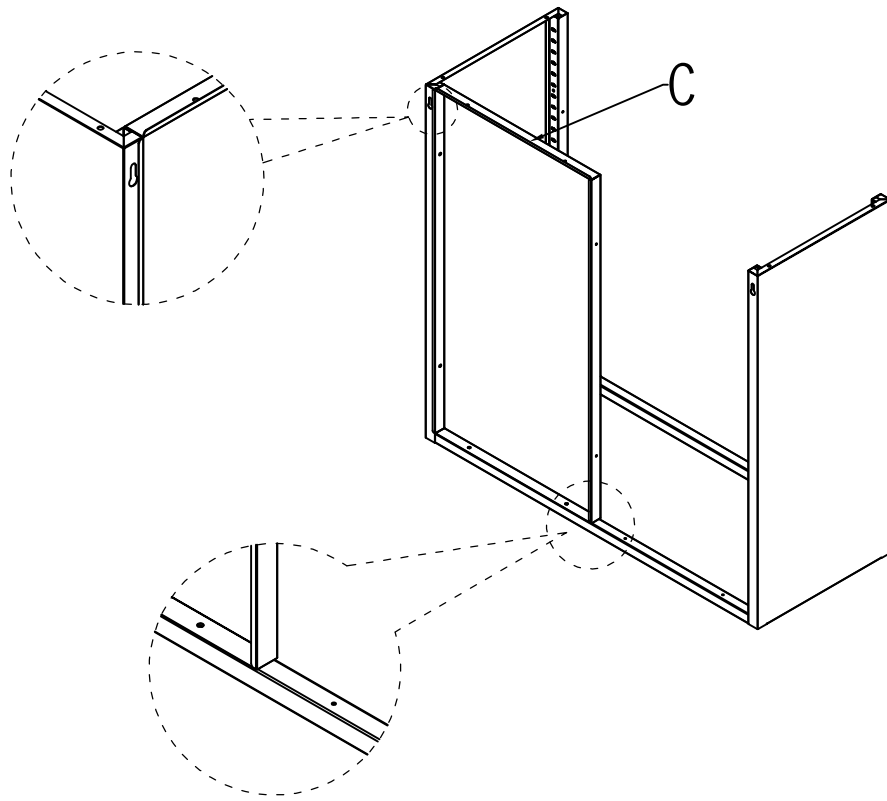
1



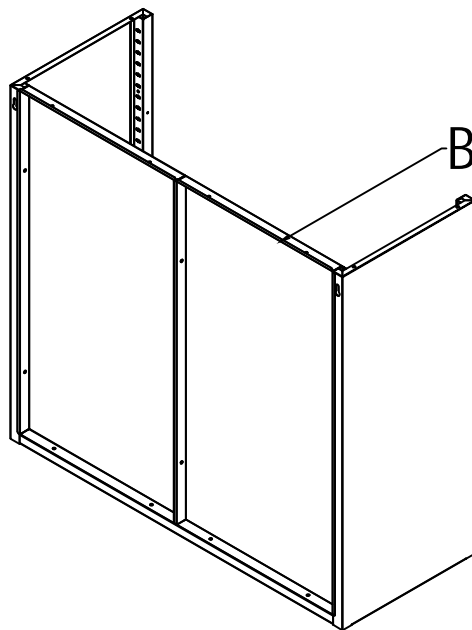
2



3

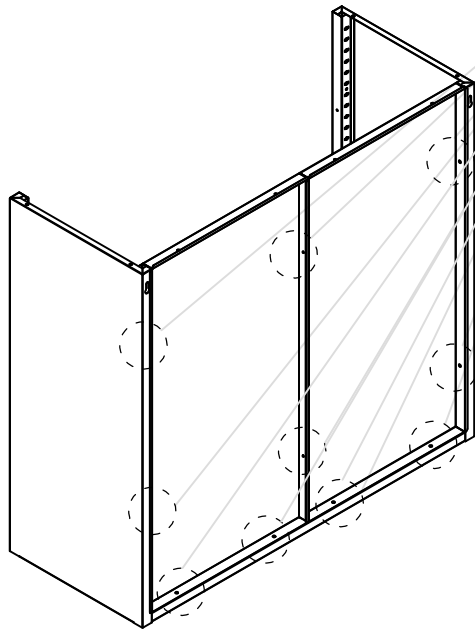


4



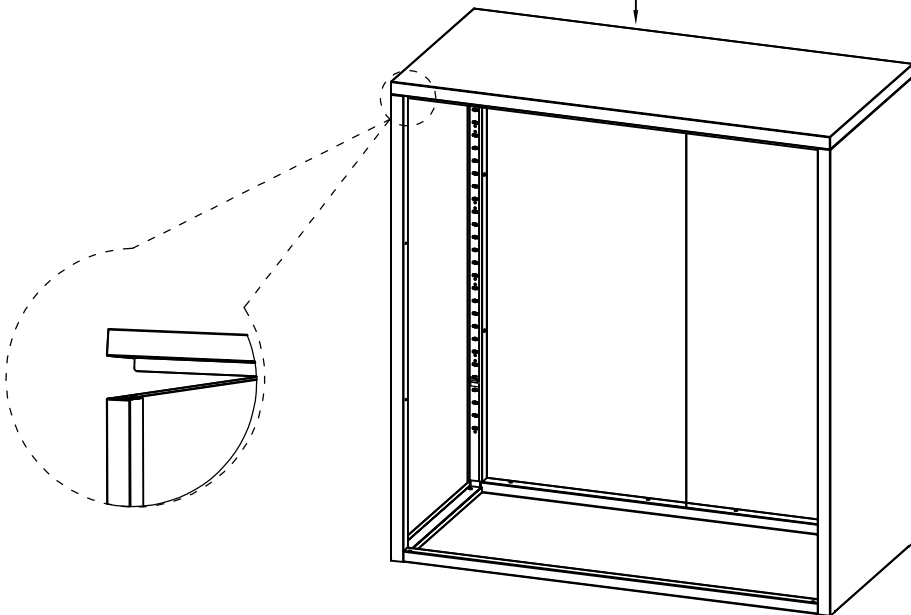
5

e×10

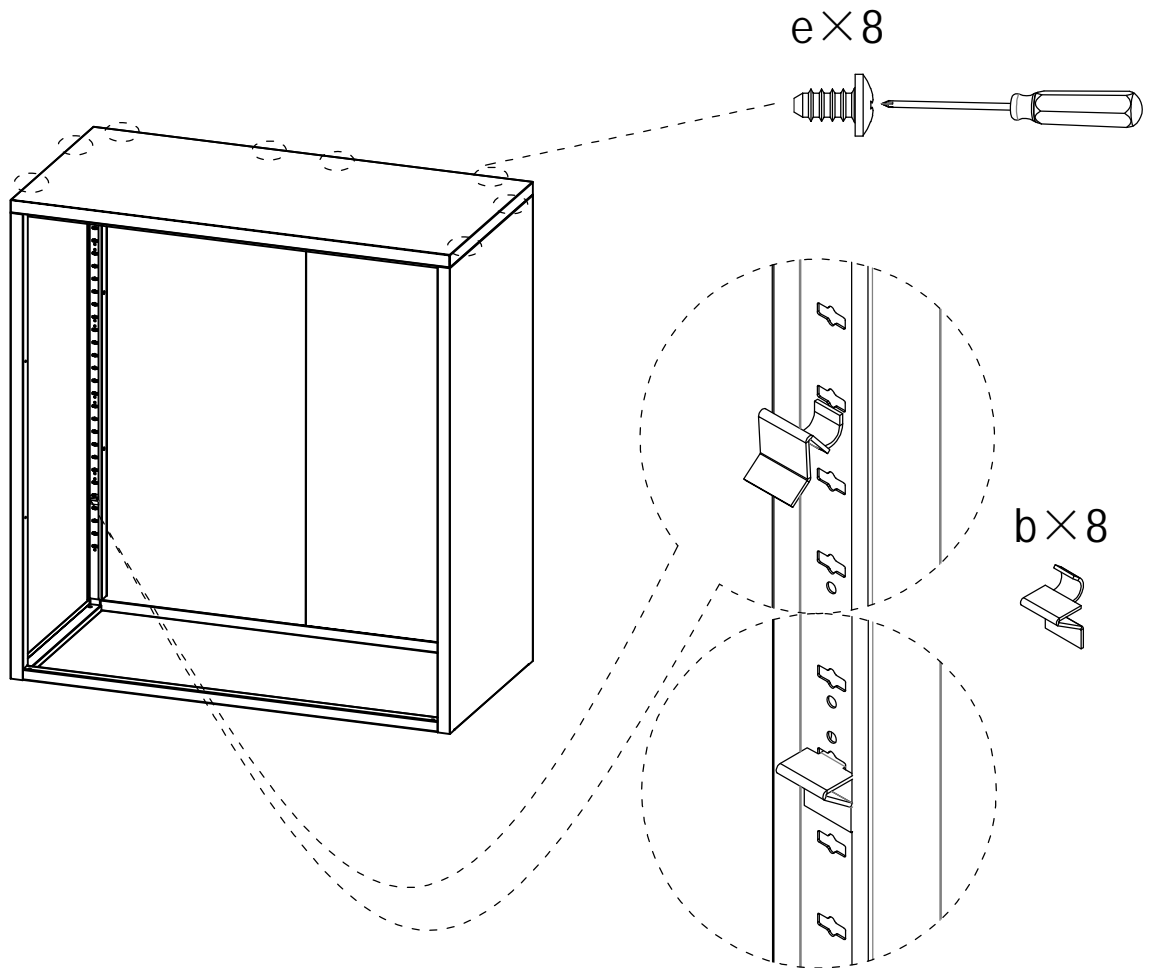


6

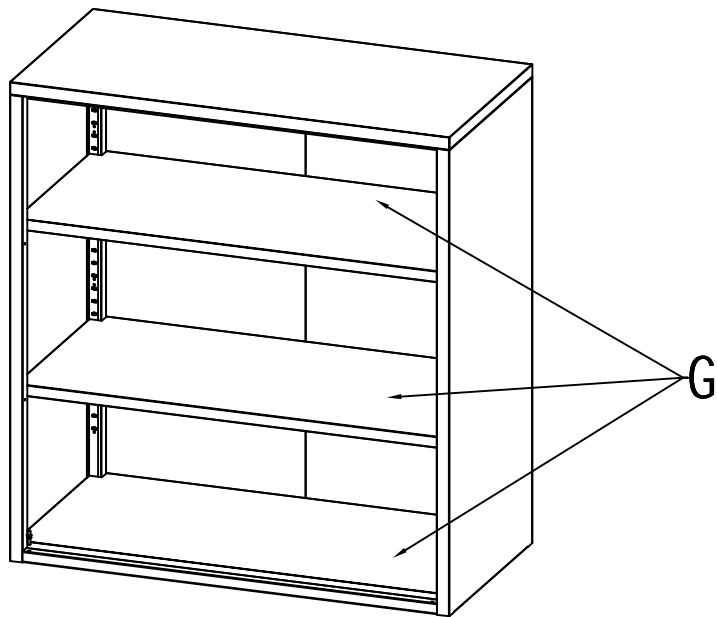
F



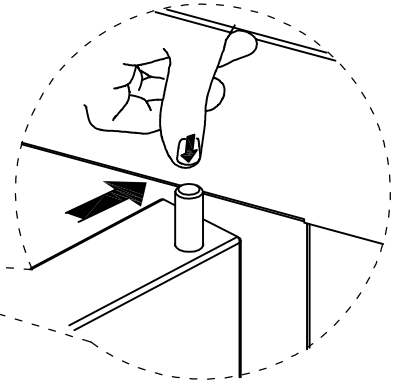
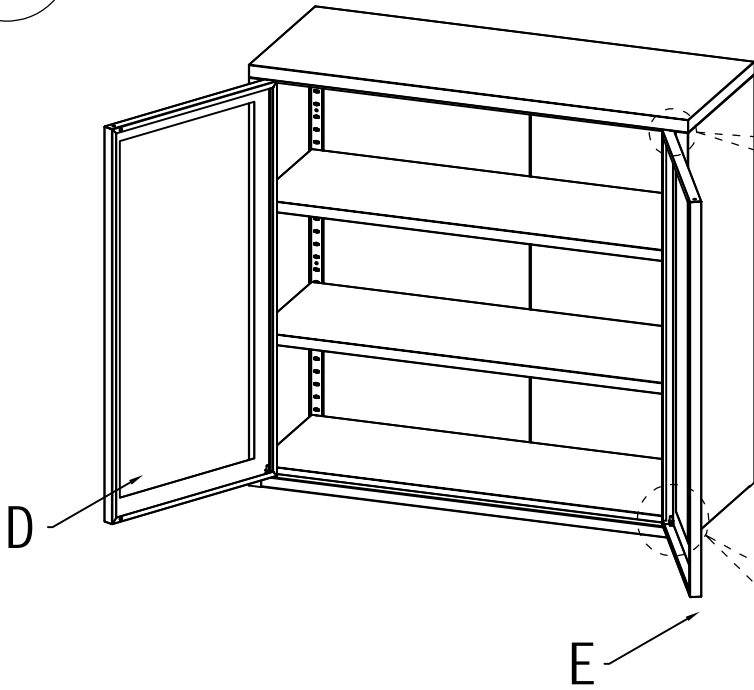
7



8



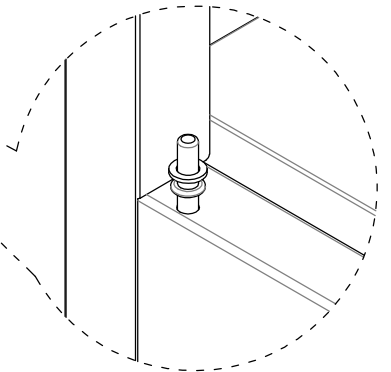
9



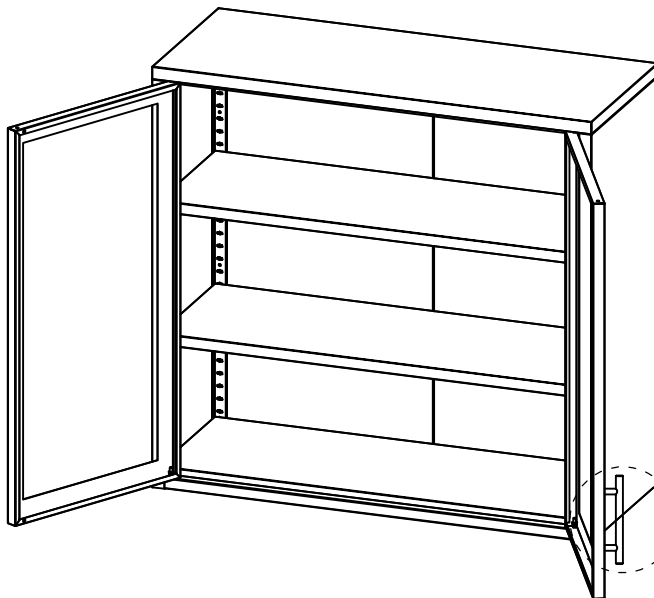
$c \times 2$



$d \times 2$



10



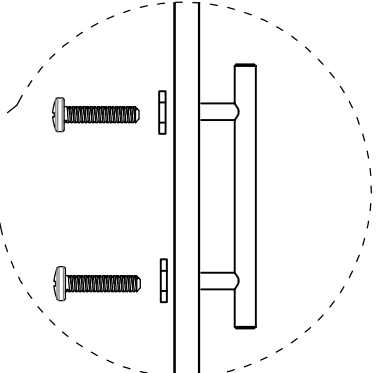
$a \times 2$



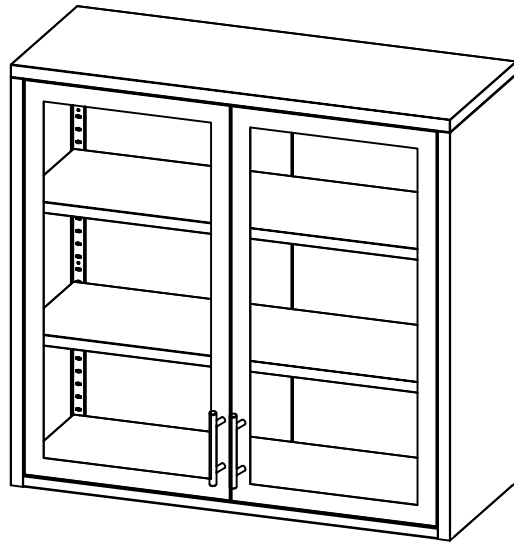
$d \times 4$



$f \times 4$

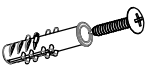


11



12

$g \times 4$



$h \times 2$

