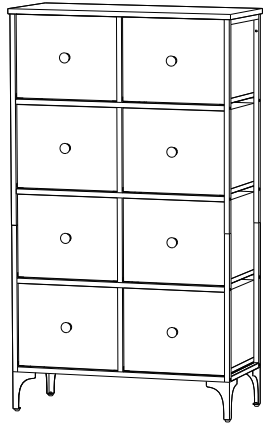


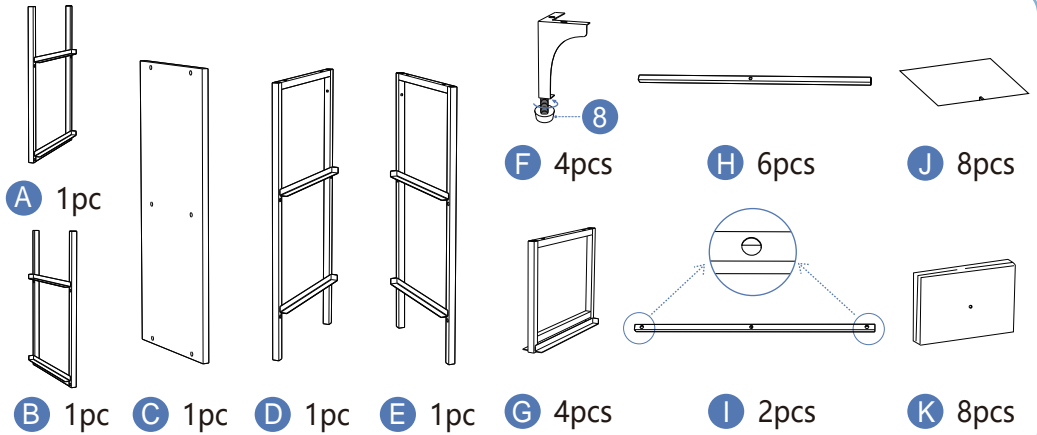
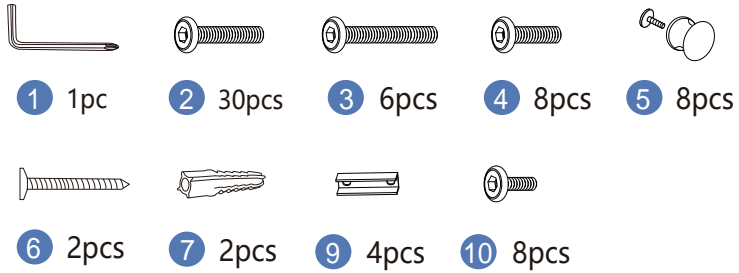
Assemble Instruction

ATTENTION: Do not tighten the screws until you have complete setup assembly.



Product Assembly Accessories:

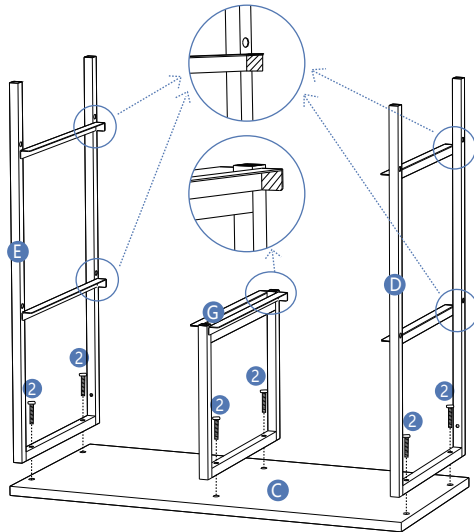
We prepare a spare one for part of the screws in case of damage or loss.



step1:

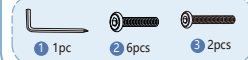
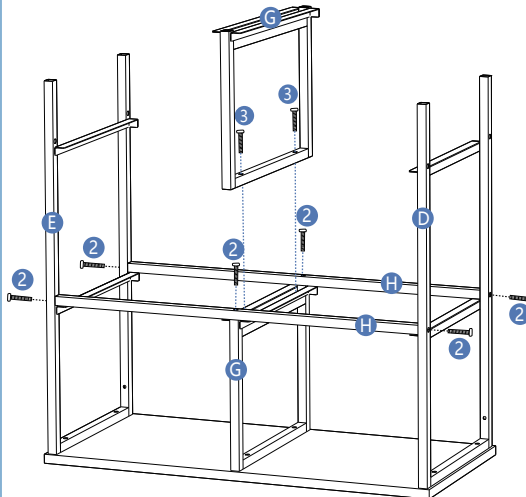
Secure the frame **D**, **E** and **G** to the board **C** with screw **2**.

Note: The stoppers for the drawers have to be on the same side.



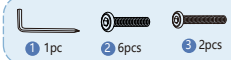
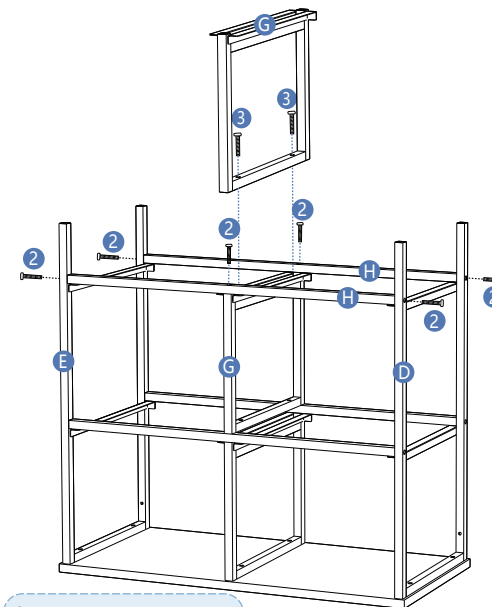
step2:

1. Fix the frame **H** to the frame **D**, **E** and **G** with screw **2**.
2. Connect the frames **G** with screw **3**.



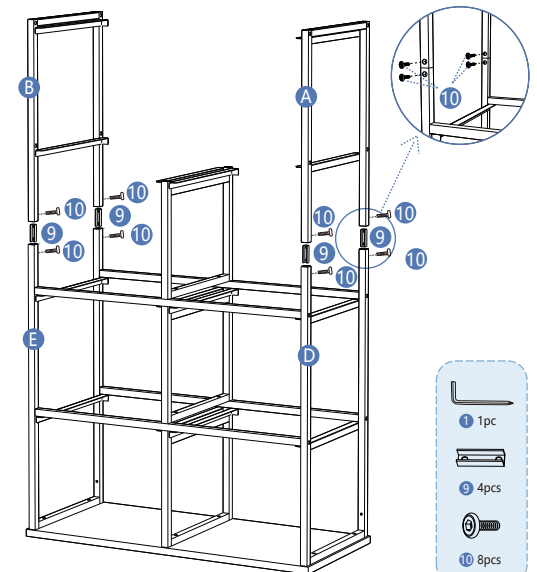
step3:

Fix **H** and **G** as in the previous step2.



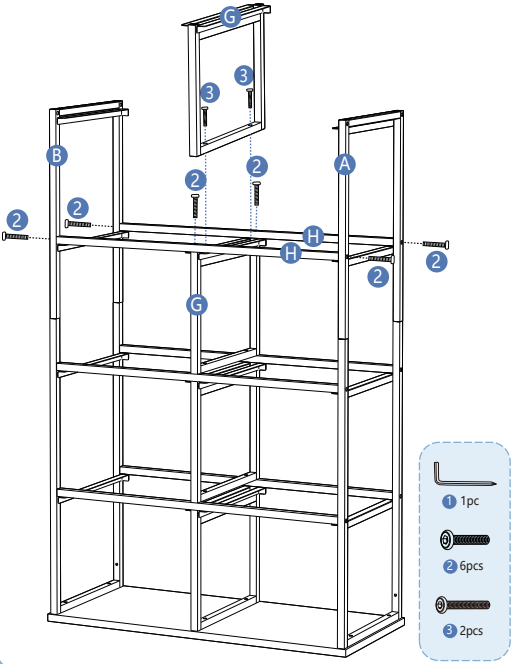
step4:

Connect **A** to **D**, **B** to **E** with accessories **9** and screw **10**.



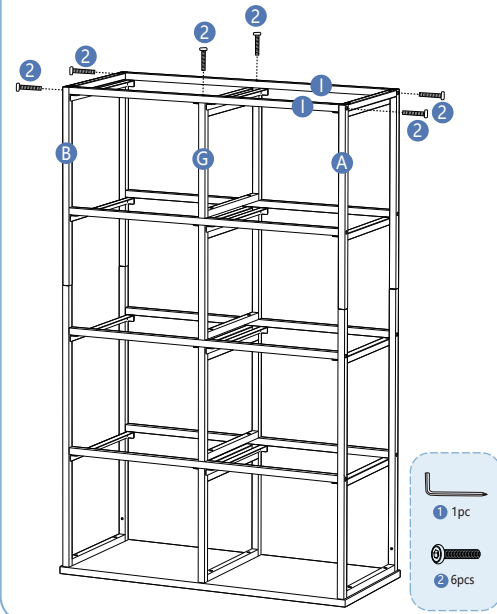
step5:

Fix **H** and **G** as in the previous step2.



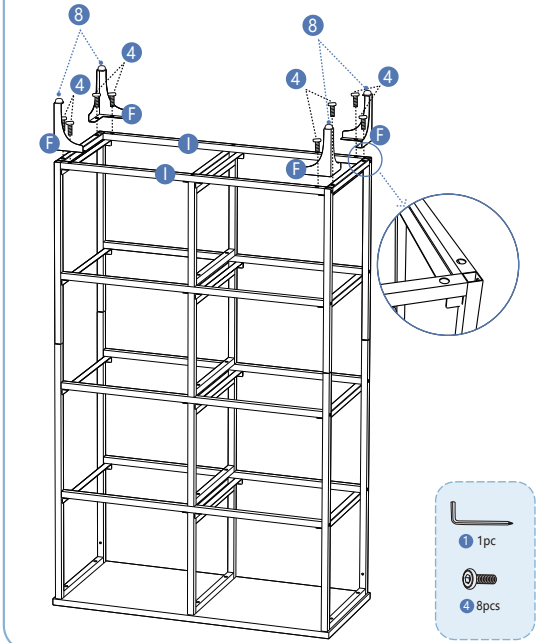
step6:

Fix the frame **I** to the frame **A**, **B** and **G** with screw **2**.



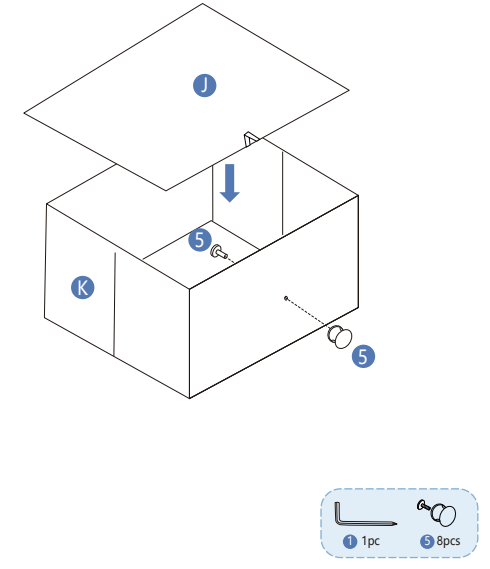
step7:

1. Install metal feet **F** with screw **4**.
2. Adjustment feet **8** have been installed on **F** in advance. You can adjust the height by rotating it when the ground is uneven.



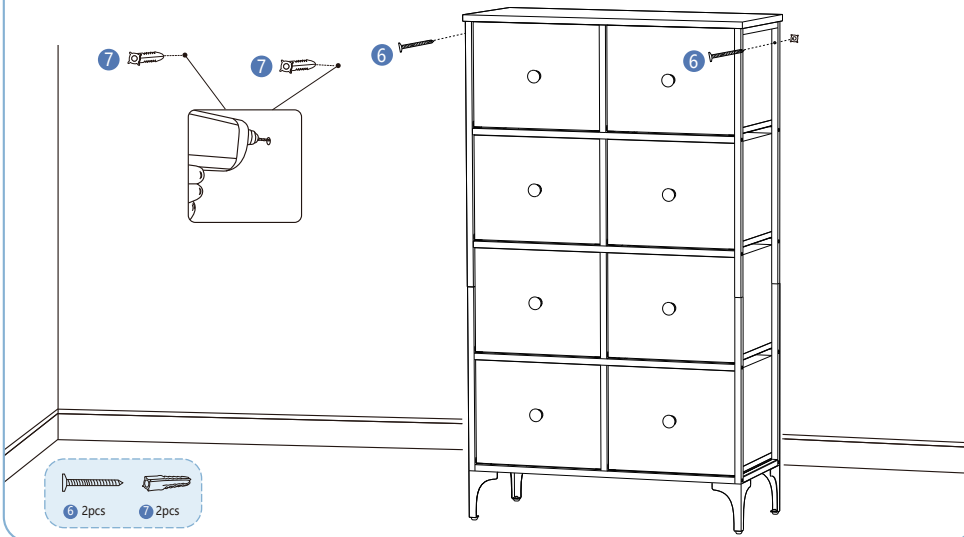
step8:

Install the handle **5** on the drawer **K** with screws, insert the inner board **J**.



step9:

Use a power drill to make holes in the wall, insert expansion screw **7**, and fix the dresser with screw **6**.



Assembly Notes

- It is recommended that you categorize the accessories before installation to quickly find the required accessories during installation.
- When installing the frame, make sure that the end stoppers of the drawer slots of the three metal frames are in the same direction.

Matters Needing Attention

- Please make sure the weight of the objects you put in the drawers follows the allowed weight standards.
Max static load capacity of the tabletop: 45lb
Max static load capacity of each drawer: 7lb
- Washing the entire dresser can be detrimental to its construction. Please clean it gently with a wet cloth instead.
- A smell of wood is present on all new products. Please keep the dresser in a well-ventilated room soon after construction so that the odor can leave.
- Secure the dresser to the wall with our provided anti-tip kit to enable stability and protection for your loved ones.