











# Assembly Instructions

**Caution : You must read this before you proceed**

## Care & Maintenance

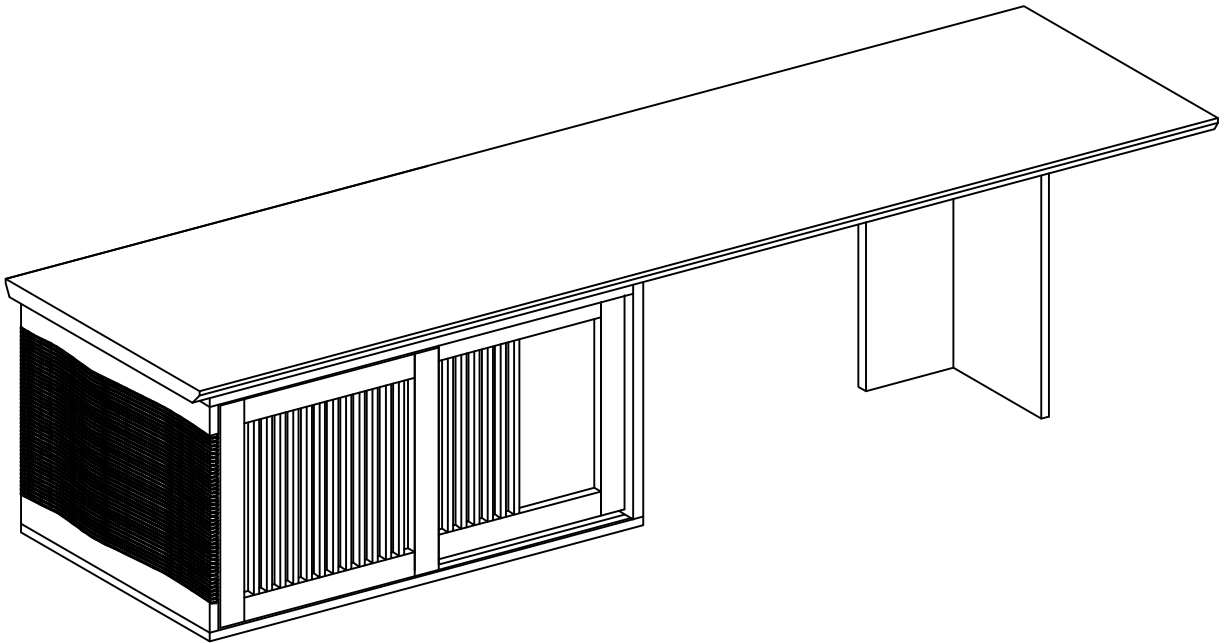
- ⊘  ● Not for commercial use. For residential use only.
- ✓  ● Furniture may scratch floors. We recommend using furniture pads to protect your floors.
- ⊘  ● Do not put hot items directly on furniture surface.
- ⊘  ● Do not clean furniture with harsh cleansers or polish.
- ⊘  ● Do not place furniture under direct sunlight.
- ⊘  ● Do not place furniture near heating or cooling vents.
- ⊘  ● Do not write on furniture without a padded barrier to protect the surface.
- ⊘  ● Do not place furniture outside . For indoor use only.
- ⊘  ● Stains may be removed with mild soap solution and damp cloth.
- ⊘  ● Children should not climb or jump on the furniture.

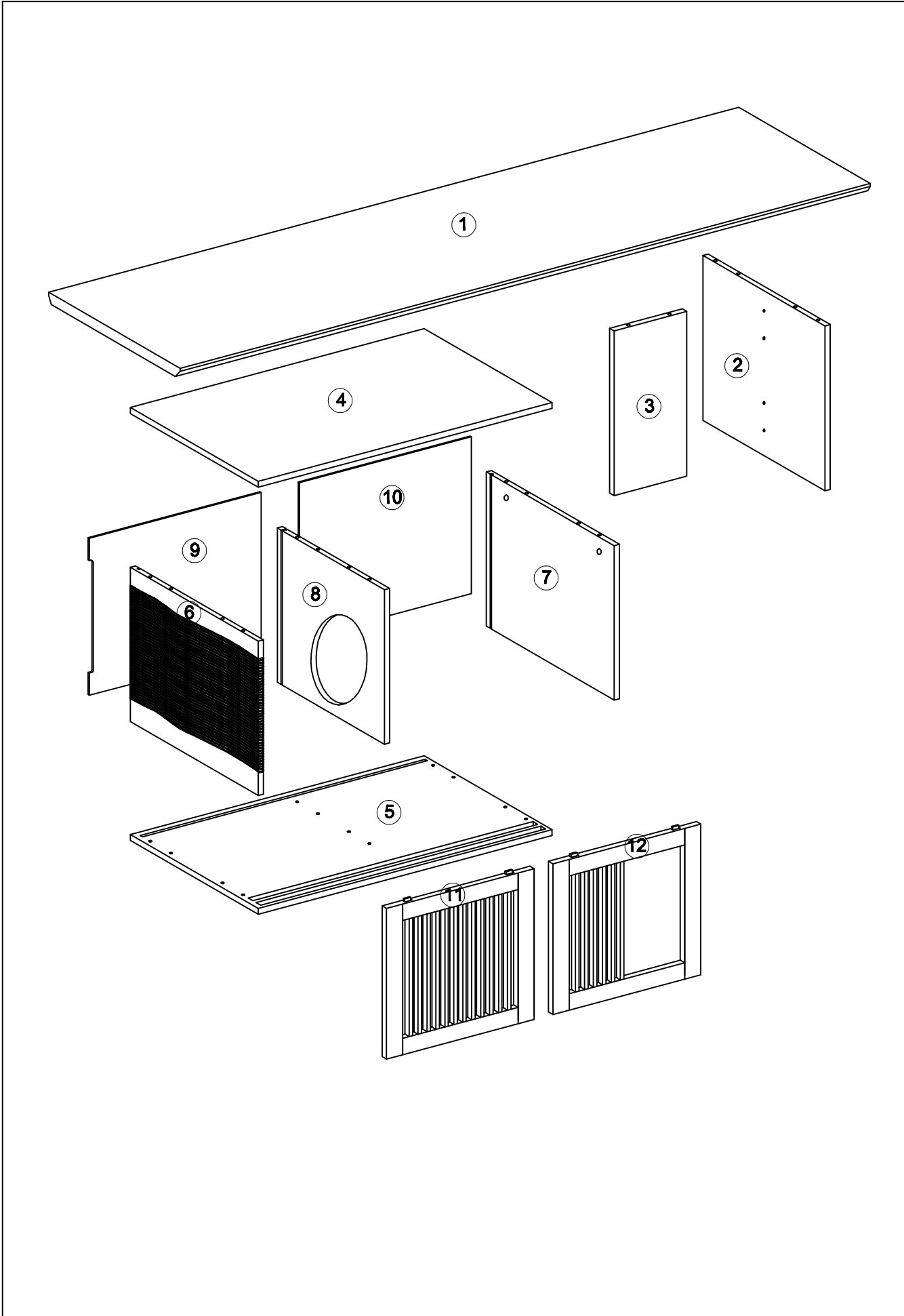
- ✓  ● Dust and pick-up spills using a clean, non-colored, lint-free cloth.

Please look in carton for hardware packs and legs.  
Sets often ship in multiple boxes and may arrive a day or two apart.

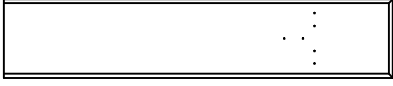
# Assembly instruction

SKU:N843P251404W  
N843P251405W

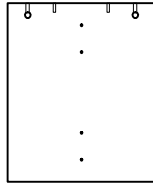




# Parts List



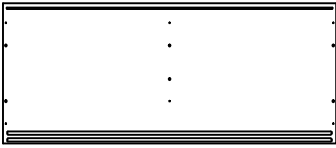
1



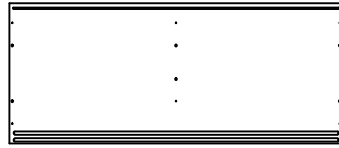
2



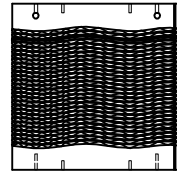
3



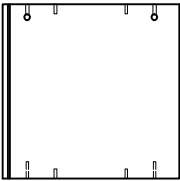
4



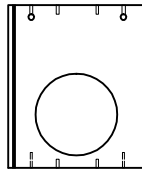
5



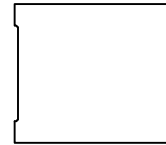
6



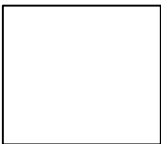
7



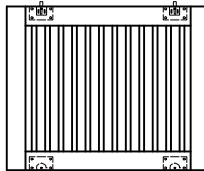
8



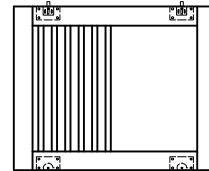
9



10

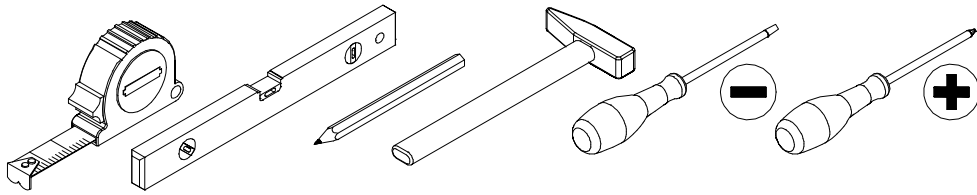


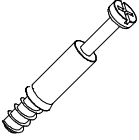
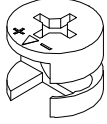
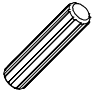

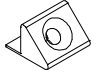

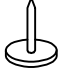

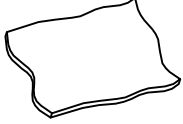
11


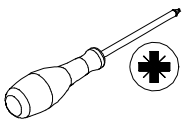


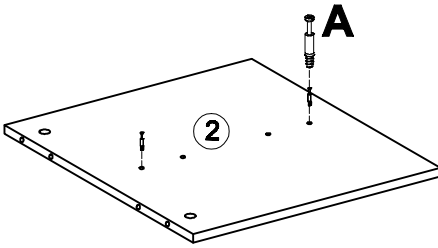

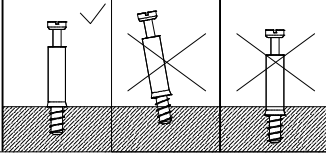
12

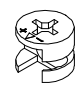

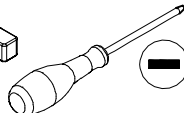
# Hardware

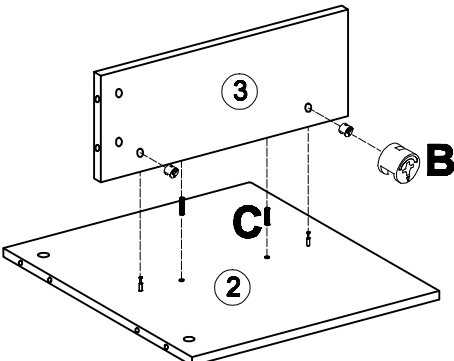

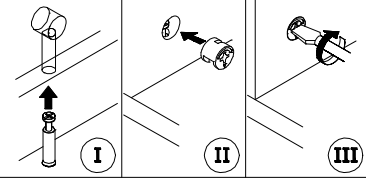


<p><b>A x 12+1</b></p> 	<p><b>B x 12+1</b></p> 	<p><b>C x 16+1</b></p> 	<p><b>D x 8</b></p> 	<p><b>E x 8</b></p> 
<p><b>F x 6</b></p> 	<p><b>G x 9</b></p> 	<p><b>H x 1</b></p> 	<p><b>I x 1</b></p> 	

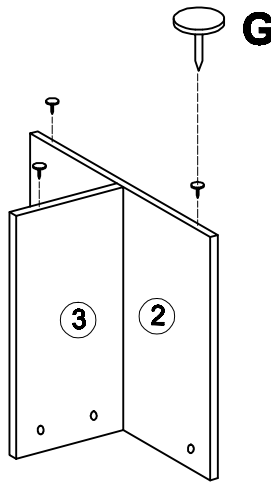
<b>STEP1</b>	<b>A x 2</b>  $\varnothing 6 \times 35\text{mm}$	
--------------	---	---

	 
---	--

<b>STEP2</b>	<b>B x 2</b>  $\varnothing 15 \times 9.5\text{mm}$	<b>C x 2</b>  $\varnothing 6 \times 30\text{mm}$	
--------------	---	---	---

	 
--	---

<b>STEP3</b>	<b>G x 3</b>  $\varnothing 12 \times 2\text{mm}$	
--------------	---	---

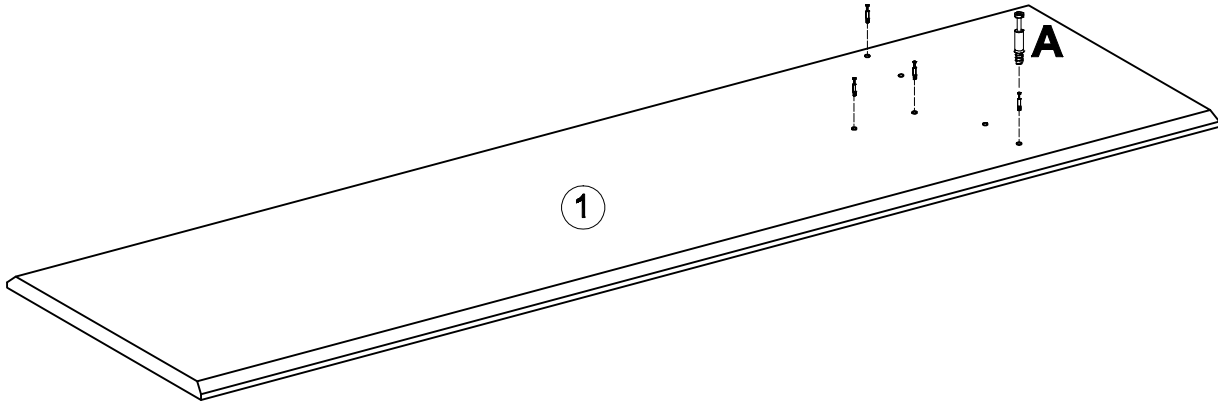
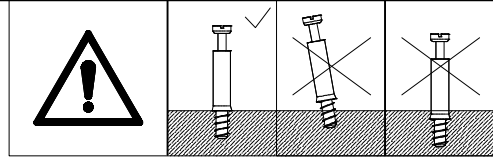
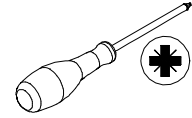

---

# STEP 4

A x 4



Ø6 x 35mm



# STEP 5

B x 4

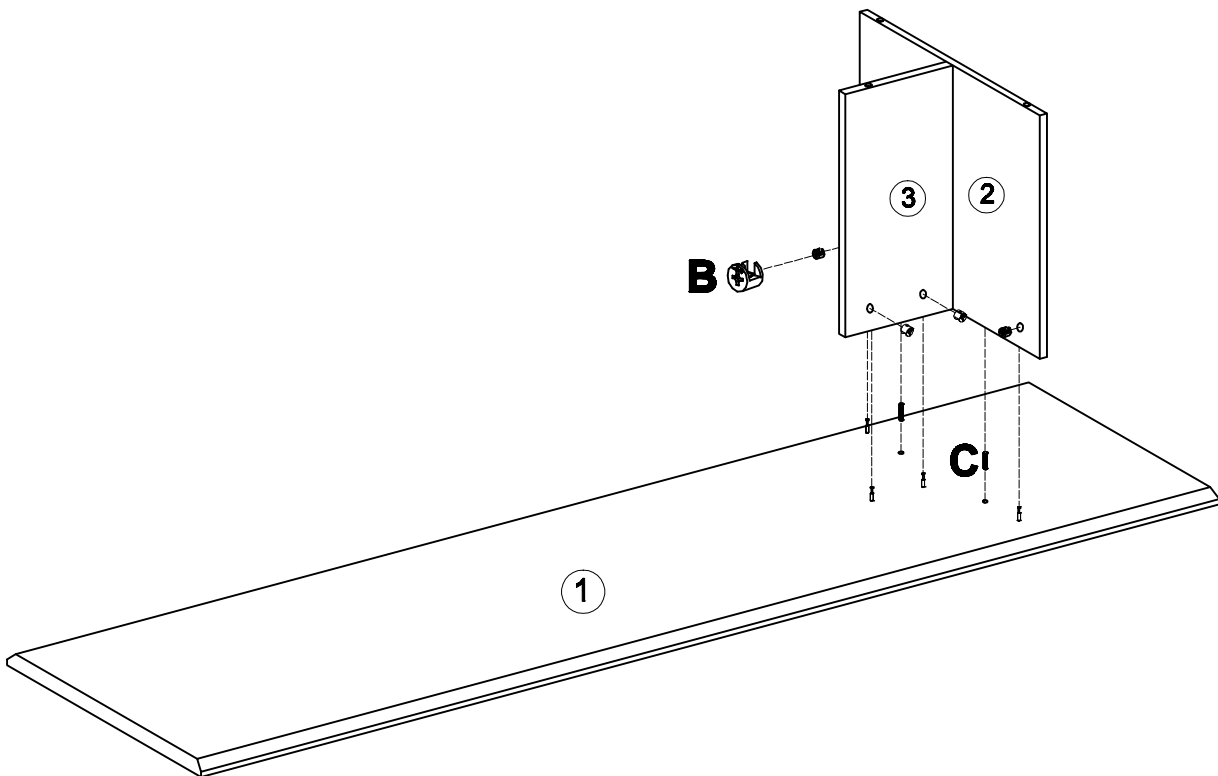
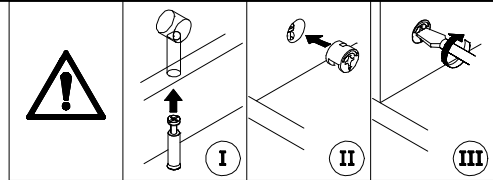
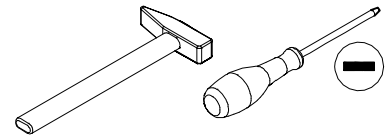


Ø15 x 9.5mm

C x 2



Ø6 x 30mm

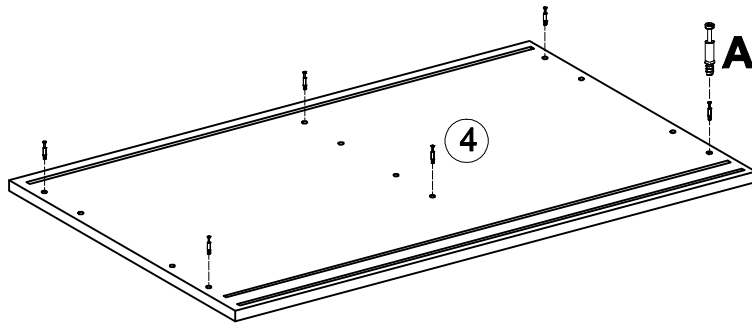
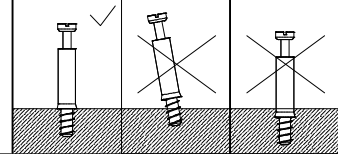
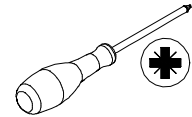


# STEP6

A x 6



Ø6 x 35mm



# STEP7

B x 2

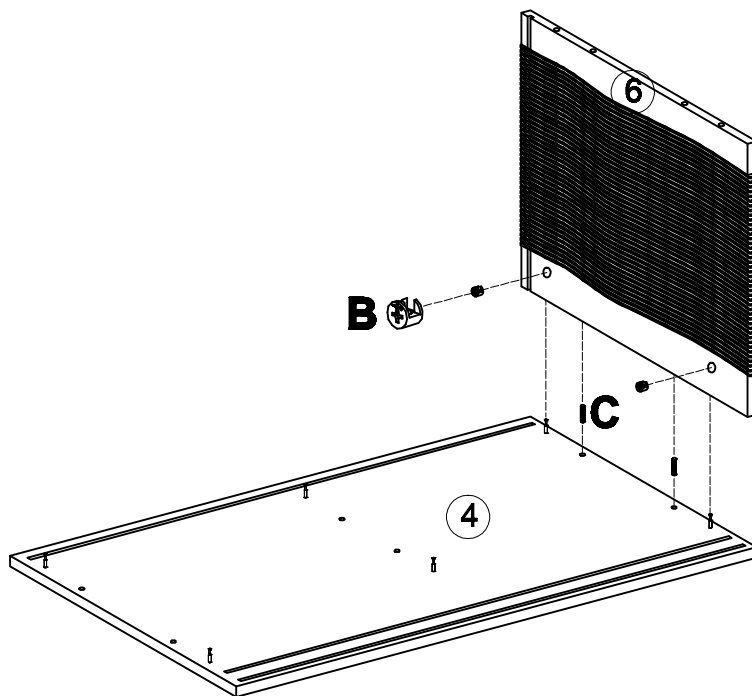
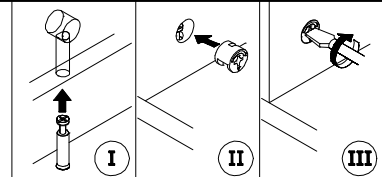
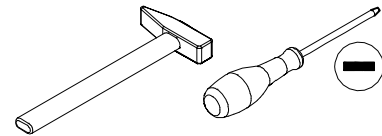


Ø15 x 9.5mm

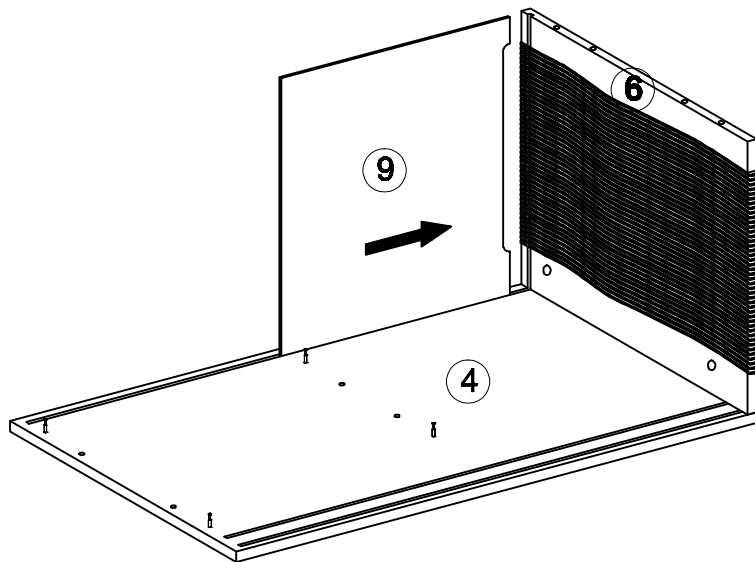
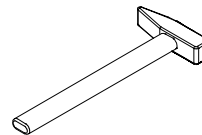
C x 2



Ø6 x 30mm



# STEP8



# STEP9

**B x 4**

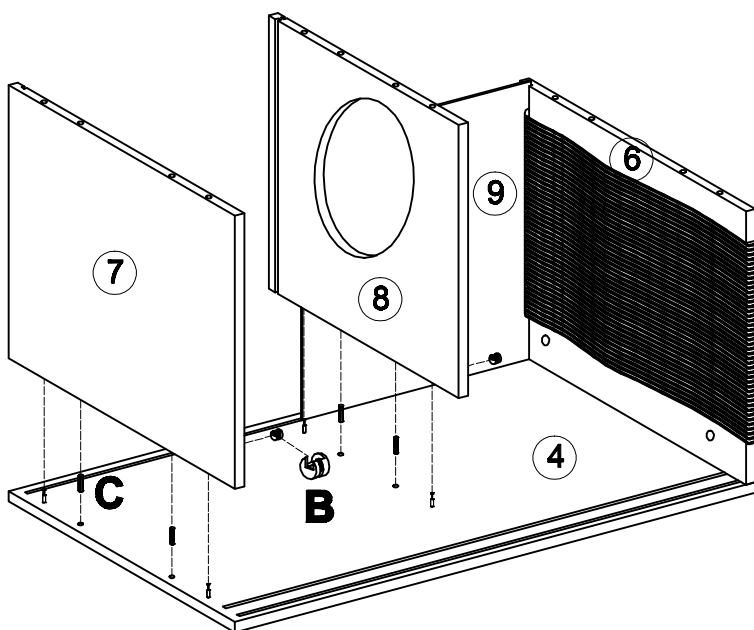
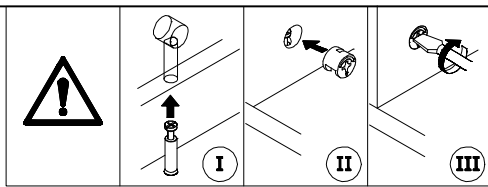
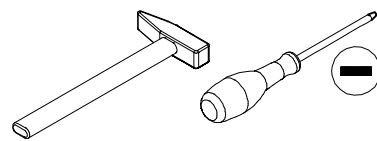


Ø15 x 9.5mm

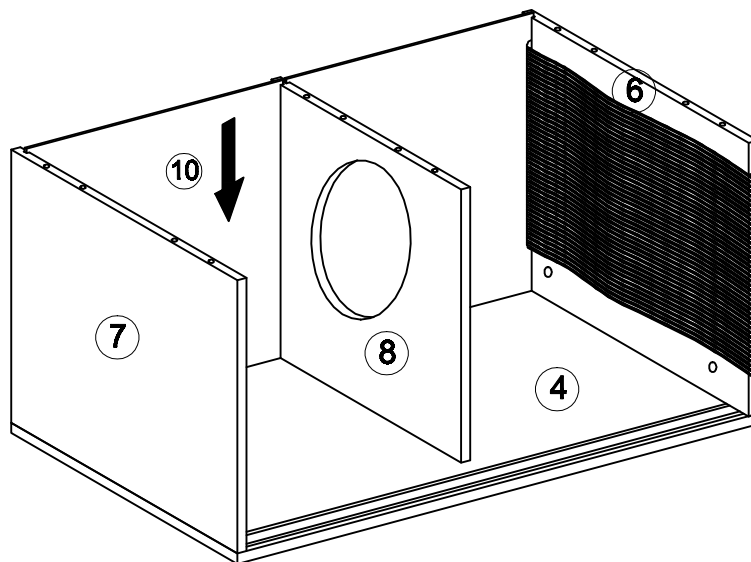
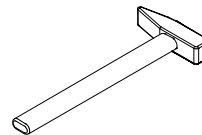
**C x 4**



Ø6 x 30mm



# STEP10



# STEP11

**C x 4**



**Ø6 x 30mm**

**F x 6**

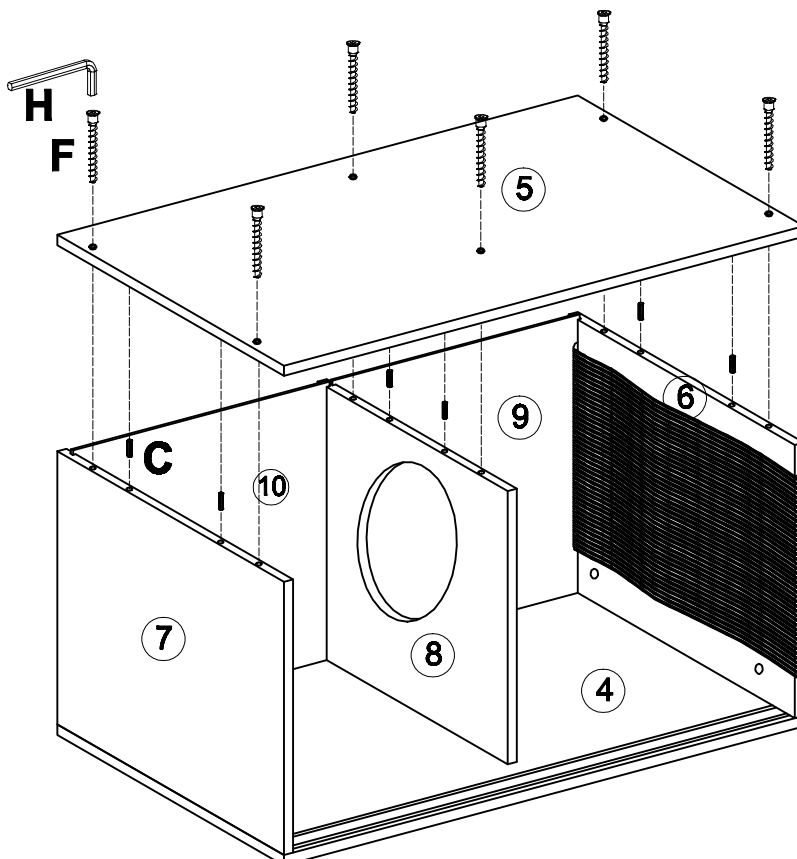


**Ø7 x 48mm**

**H x 1**

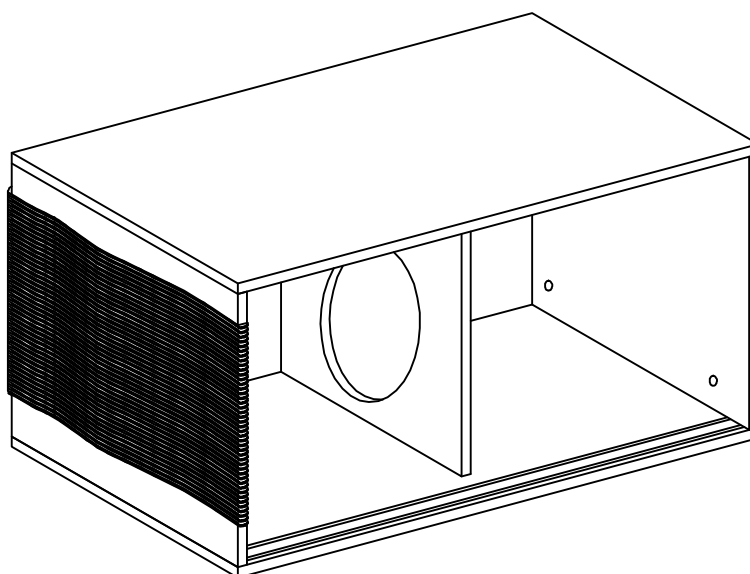
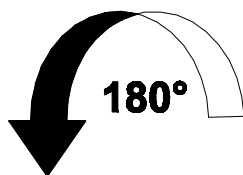
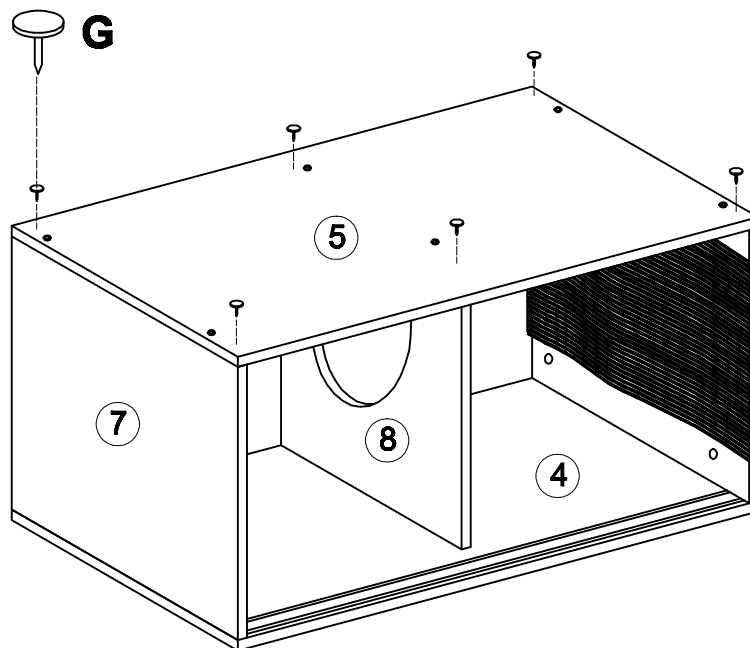
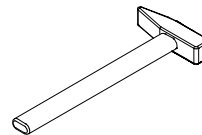


**M4 mm**

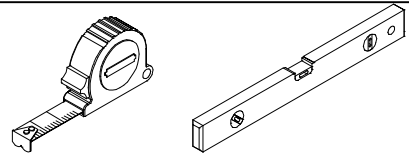


# STEP12

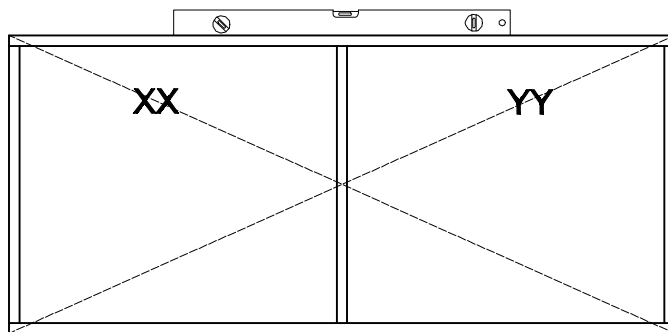
G x 6



# STEP13



XX=YY=90°



# STEP14

**E x 8**

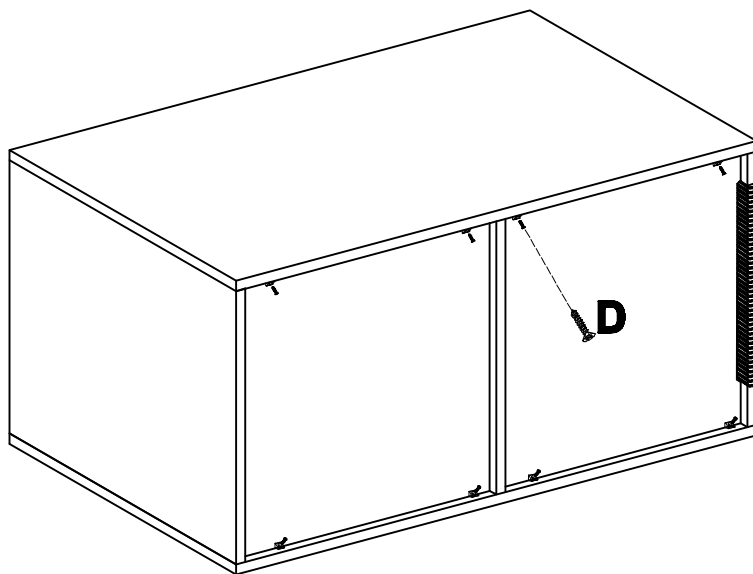
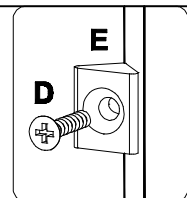
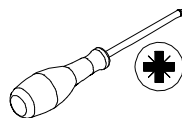


15 x 15 x 9mm

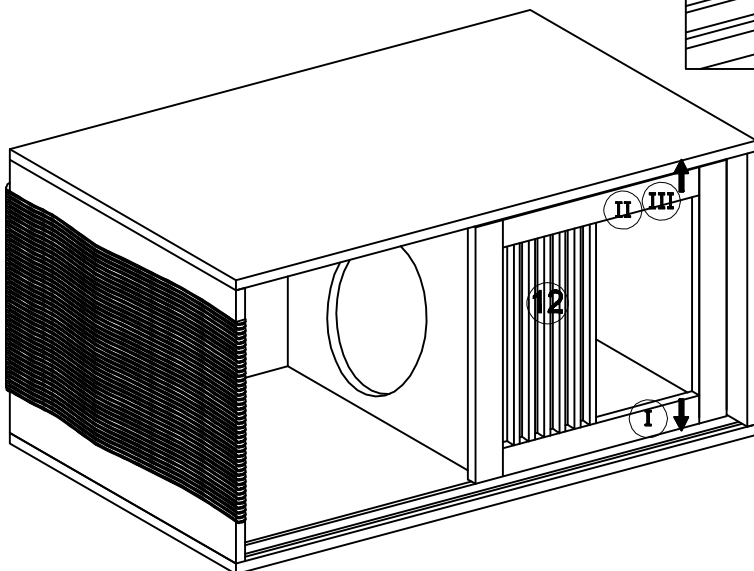
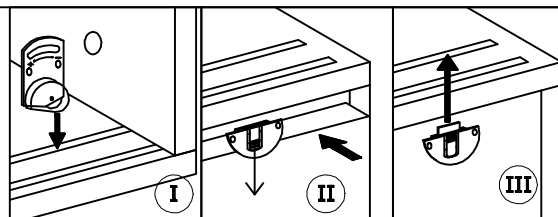
**D x 8**



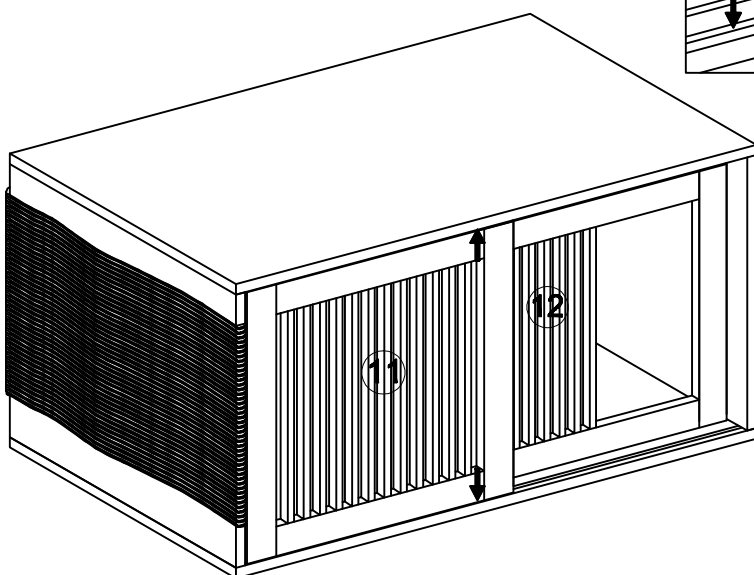
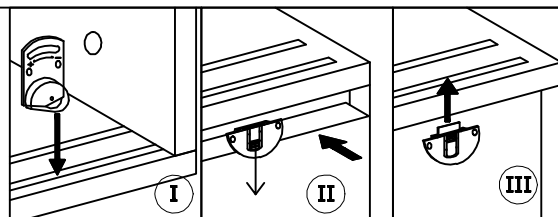
Ø3.5 x 14mm



# STEP15



# STEP16



**STEP17**

**1x1**

