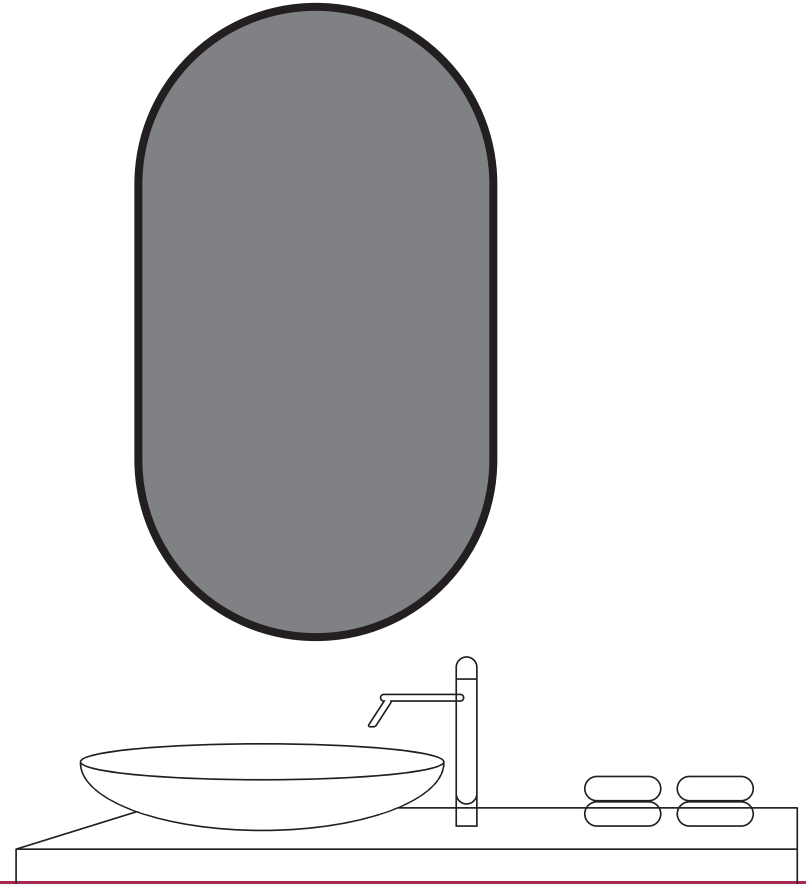
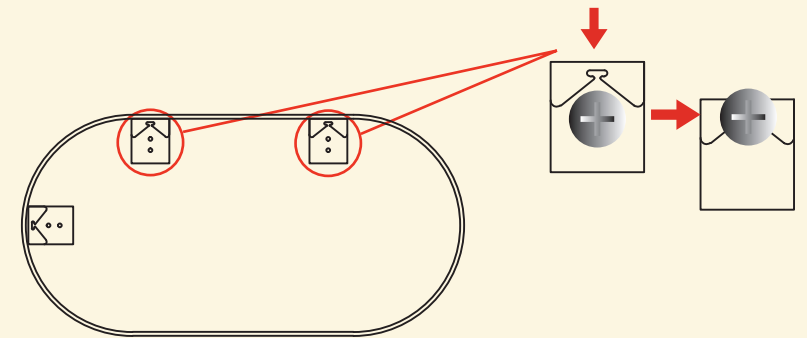
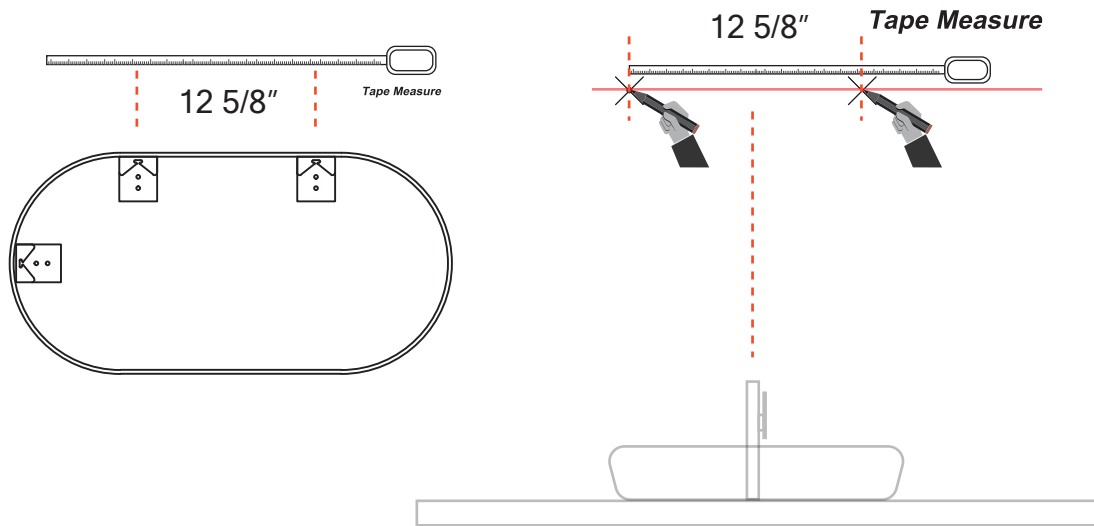


— Bathroom Vanity Mirror —



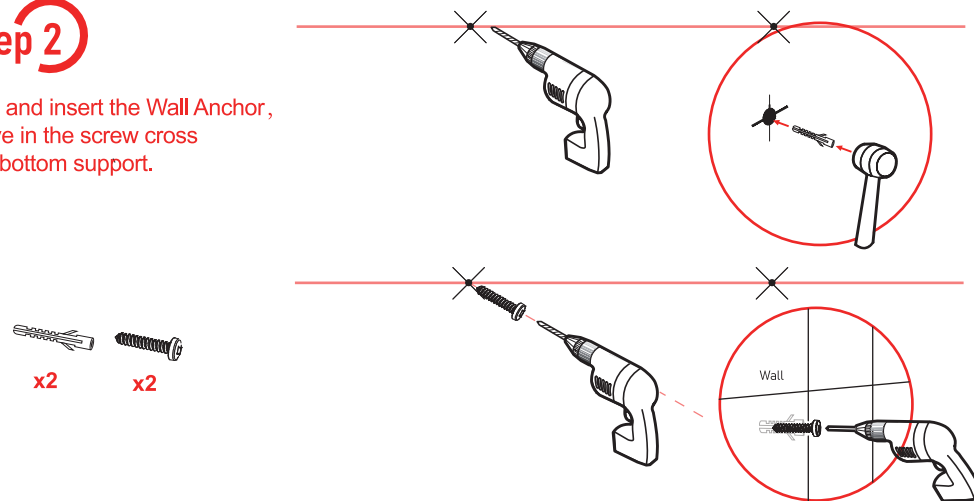
Step 1

Use the tape measure the height, and draw the horizontal line and the vertical line of the wash-basin. Measure the distance of the mirror hole, and mark the hole place on the wall.



Step 2

Drill and insert the Wall Anchor, Drive in the screw cross the bottom support.



Step 3

Align the holes of the mirror with the screws and hang them to complete the installation

