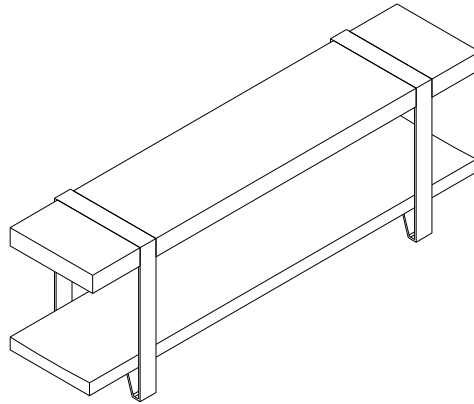


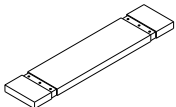
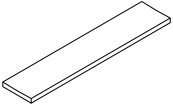

Bench








Thank you for purchasing our Bench. **We have found it helpful to have a second person present in at least one step of the assembly.**

Assembly Instructions

Lay out all parts on a "non-abrasive" surface to avoid scratching furniture.

NO.	DRAWING	DESCRIPTION	Q'TY
A		TOP	1
B		SHELF	1
C		METAL END	2

NO.	DRAWING	DESCRIPTION	Q'TY
D		M6*40MM BOLT	6
E		M6*20MM BOLT	4
F		WASHER	6
G		FELT PAD	4
H		WRENCH	1

NOTE: The Tops and Shelves used in this collections are SOLID WOOD. Solid Wood can shrink over time. The design of this collection has the top fitting inside a metal frame. We engineered the tops to be oversized in the width to accommodate any shrinkage.

Step 1

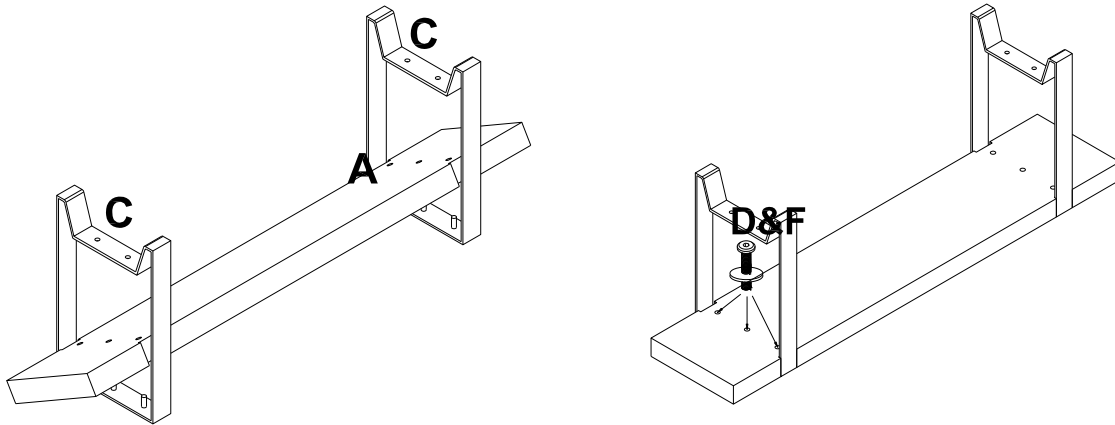
Read through these instructions thoroughly before beginning assembly. We have found this to be of great value when first assembling this product.

Step 2

Remove all parts and hardware from packing material. Wooden pieces should be placed on a non abrasive surface (like the carton or carpet) to prevent damage to the finish.

Step 3

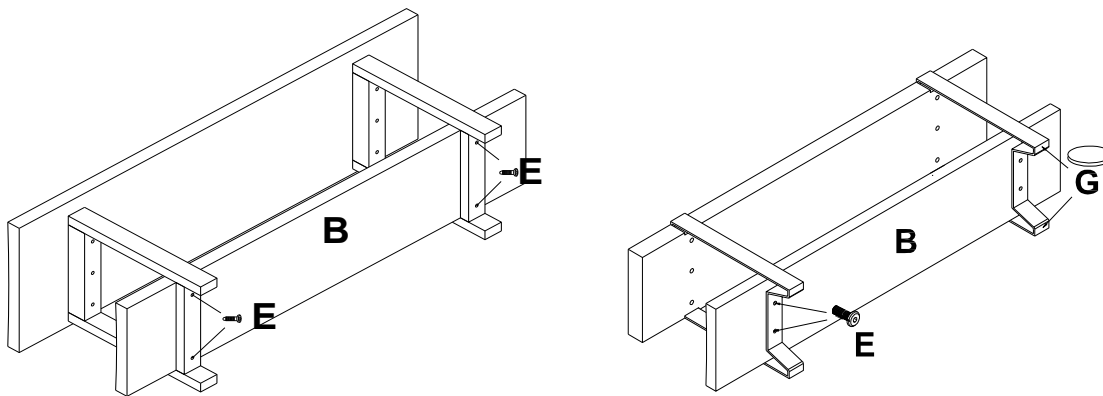
With Grooves facing down, position Top (A) in to the 2 Metal Ends (C). Align the Metal Ends to the Grooves in the Top. Attach the Top in 6 places to the Metal Ends using the 40 MM Bolt (D) & Washer (F). **DO NOT TIGHTEN FIRMLY AT THIS TIME.**



Step 4

Note: It will help to have a second person at this time to assist in assembly.

Lay on side and position Shelf (B) in to Metal Ends (C). Align thru holes in Shelf Support on Metal Ends to the threaded inserts in shelf. Attach shelf in 4 places using 20 MM Bolt (E). Adhere Felt Pad (G) on bottom of 4 feet.



TIGHTEN ALL BOLTS FIRMLY AT THIS TIME.

CARE

Clean with mild soap and wipe dry.
