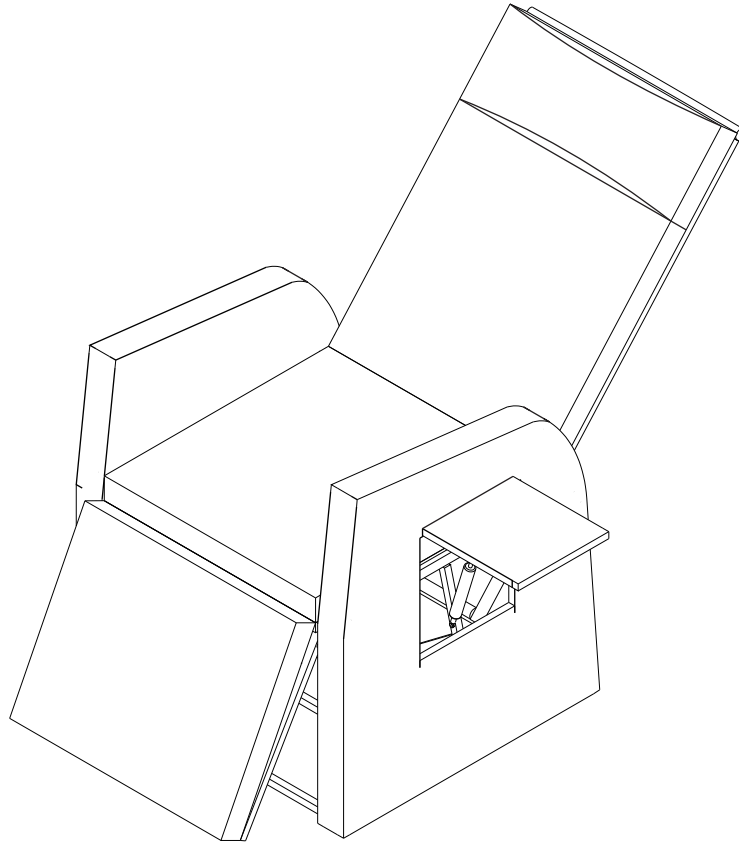


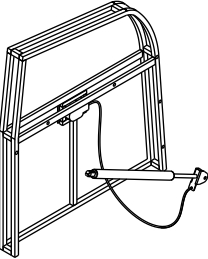
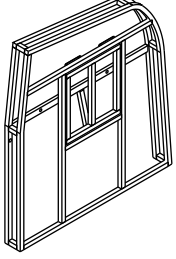
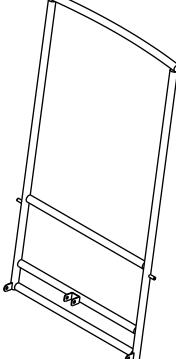
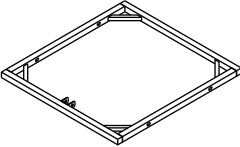
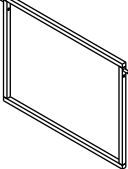
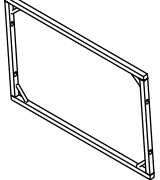
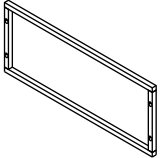

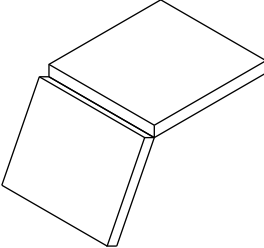
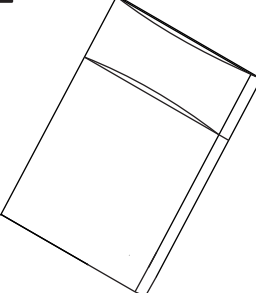
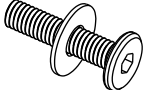
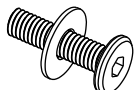



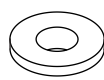
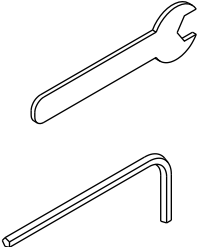
ASSEMBLY INSTRUCTION



Notice:

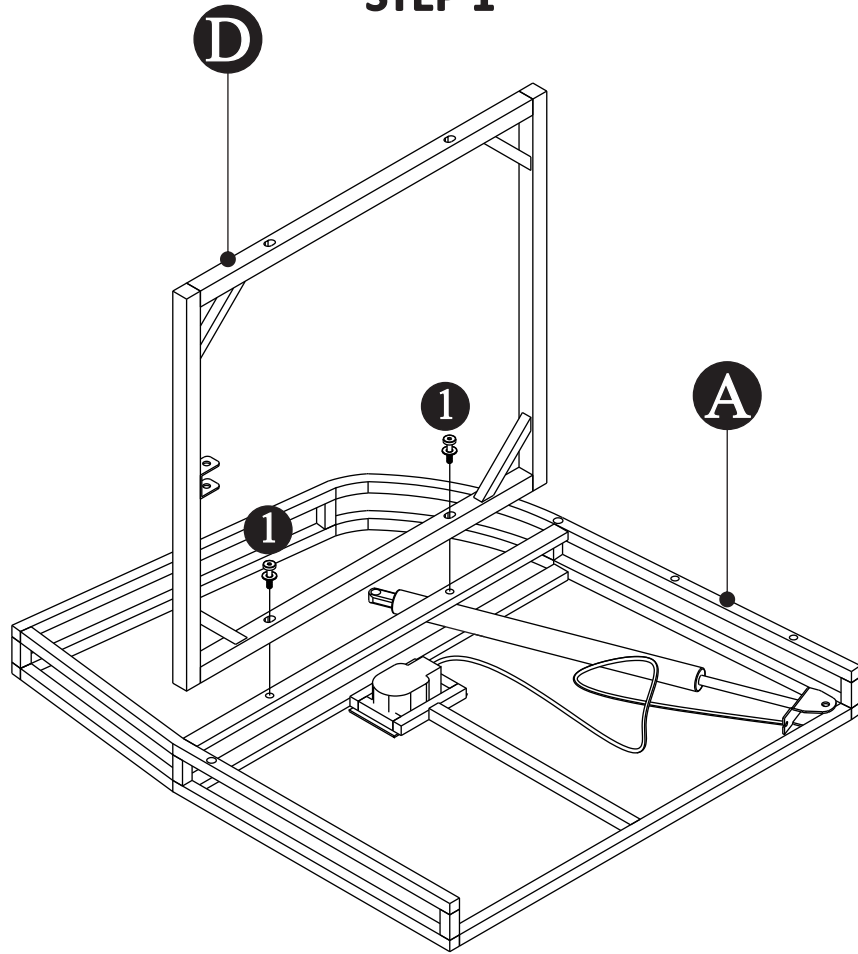
1. 50% Tighten before fixing all screws, Allen wrench is recommended instead of an electric drill.
2. Place the item on a flat ground to adjust and make sure it remains stable
3. Tighten up all screws with tools gradually.
4. If the screws are not aligned with holes during assembly, please loosen all the other screws to 50% and continue the assembly process.
5. If the item is not stable, please loosen all the screws, adjust it on a flat ground and tighten up all screws again.
6. Note : If one or some screws are fully tightened during assembly, chances are the others will not be aligned with holes. In addition, all the holes are designed to be relatively larger to provide more space for the adjustment of the screws.

Part list & Hardware

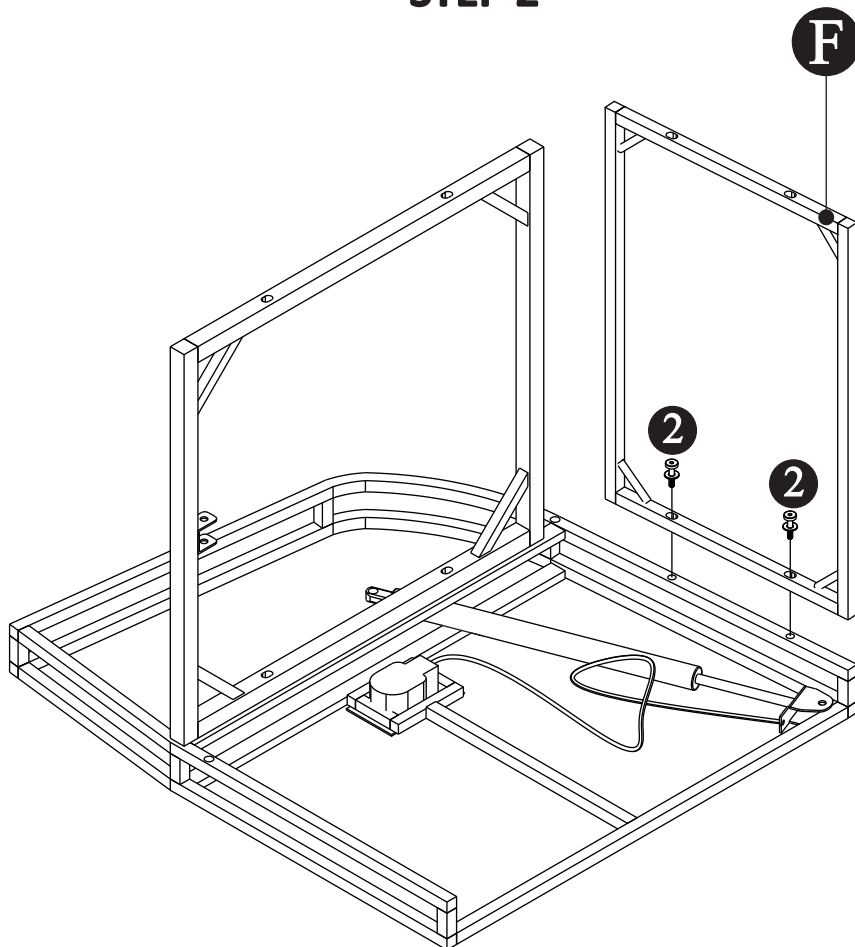
<p>A x 1</p>  <p>Right Armrest</p>	<p>B x 1</p>  <p>Left Armrest</p>	<p>C x 1</p>  <p>Chair Back</p>	<p>D x 1</p>  <p>Chair Seat</p>
<p>E x 1</p>  <p>Front Side</p>	<p>F x 1</p>  <p>Back Side</p>	<p>G x 1</p>  <p>Frame</p>	<p>H x 2</p>  <p>Long Steel Part</p>
<p>I x 1</p> 	<p>J x 1</p> 	<p>① x 6</p>  <p>M6x40mm</p>	<p>② x 8</p>  <p>M6x30mm</p>
<p>③ x 4</p>  <p>M6x15mm</p>	<p>④ x 4</p>  <p>Nut M6</p>	<p>⑤ x 8</p>  <p>Plastic washer M8x5mm</p>	<p>⑥ x 4</p>  <p>Plastic washer M8x2mm</p>
<p>⑦ x 1</p> 			

For successful installation, When installing, please do not tighten the screws once, when the screws are all installed, a unified tighten all the screws

STEP 1

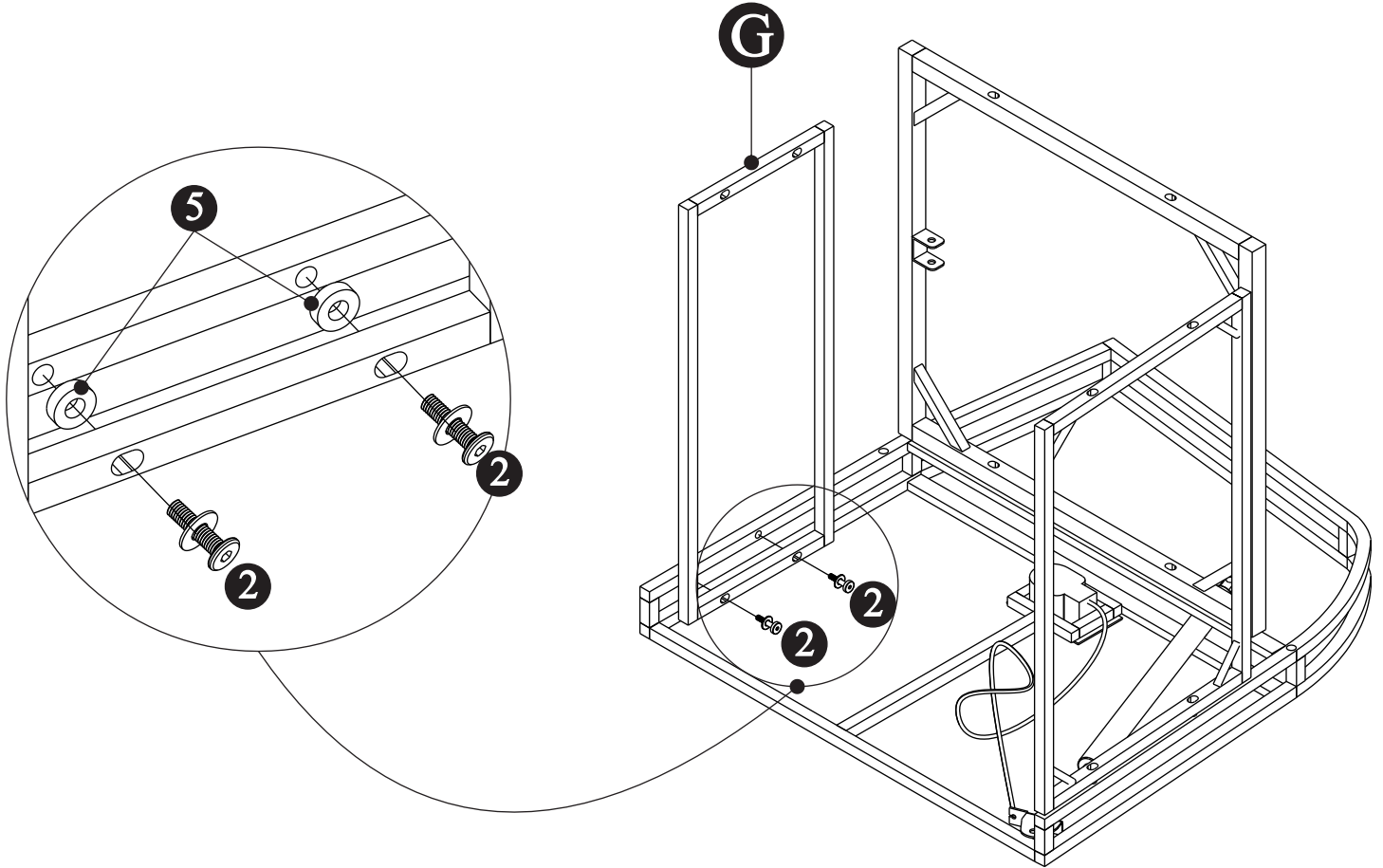


STEP 2

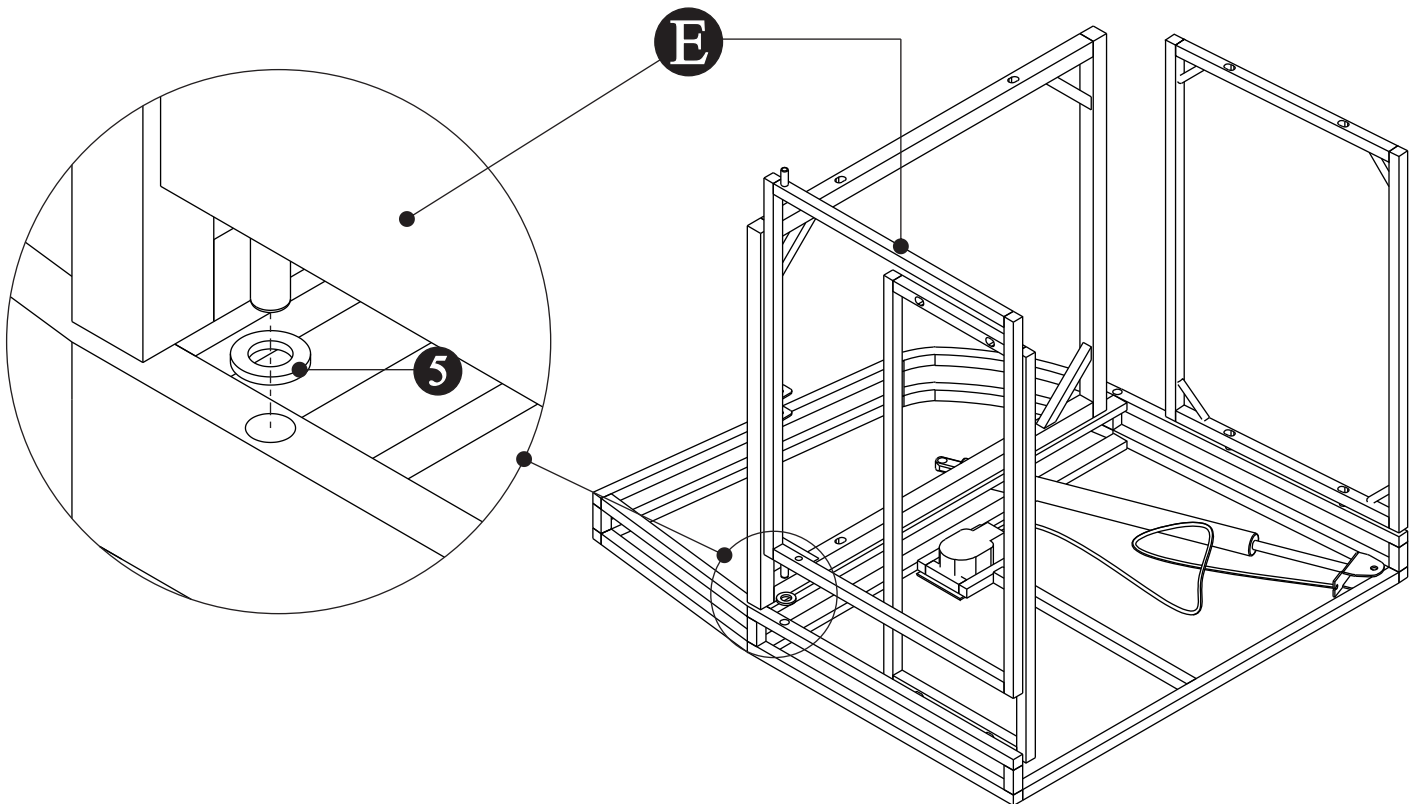


For successful installation, When installing, please do not tighten the screws once, when the screws are all installed, a unified tighten all the screws

STEP 3

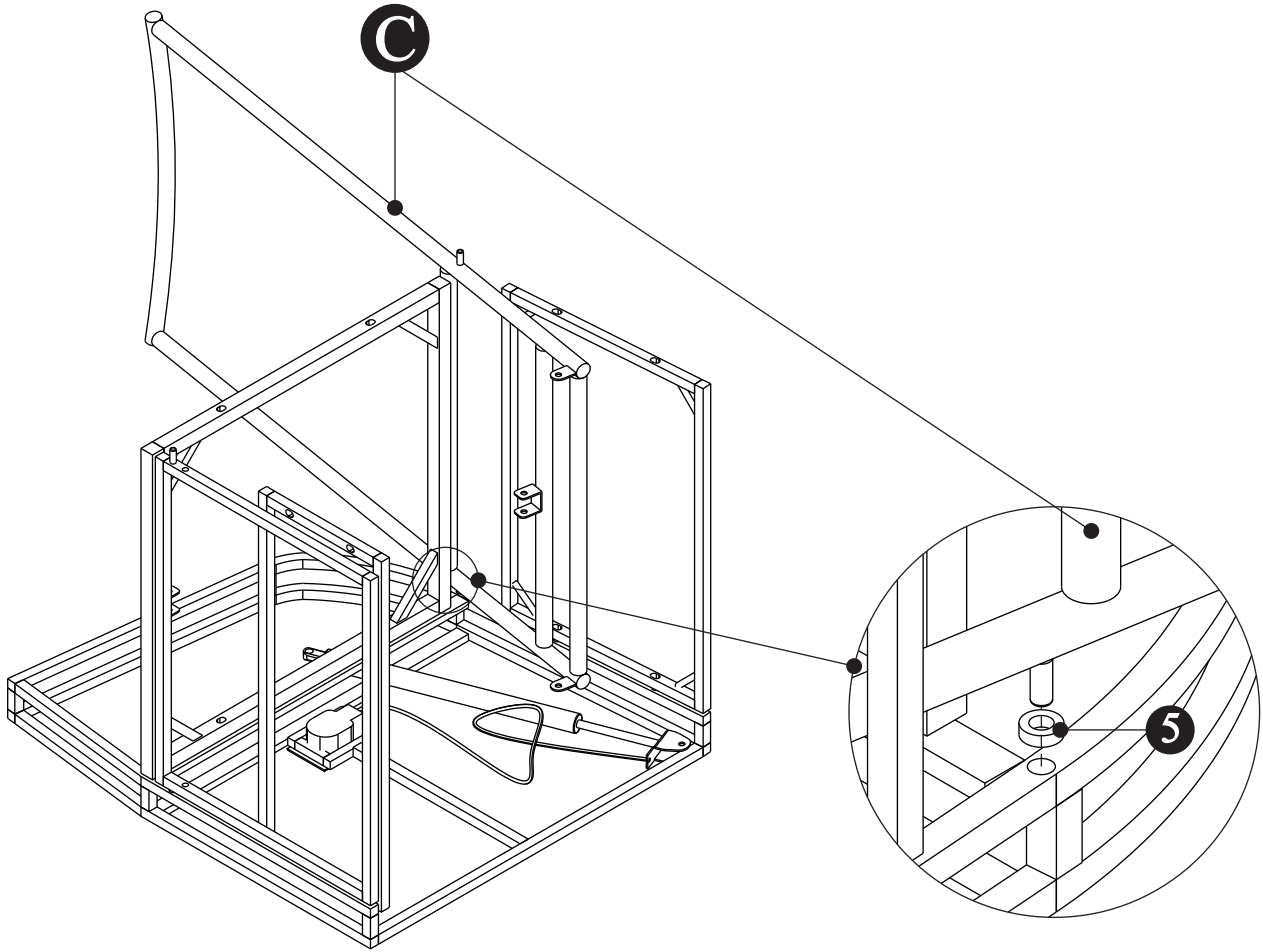


STEP 4

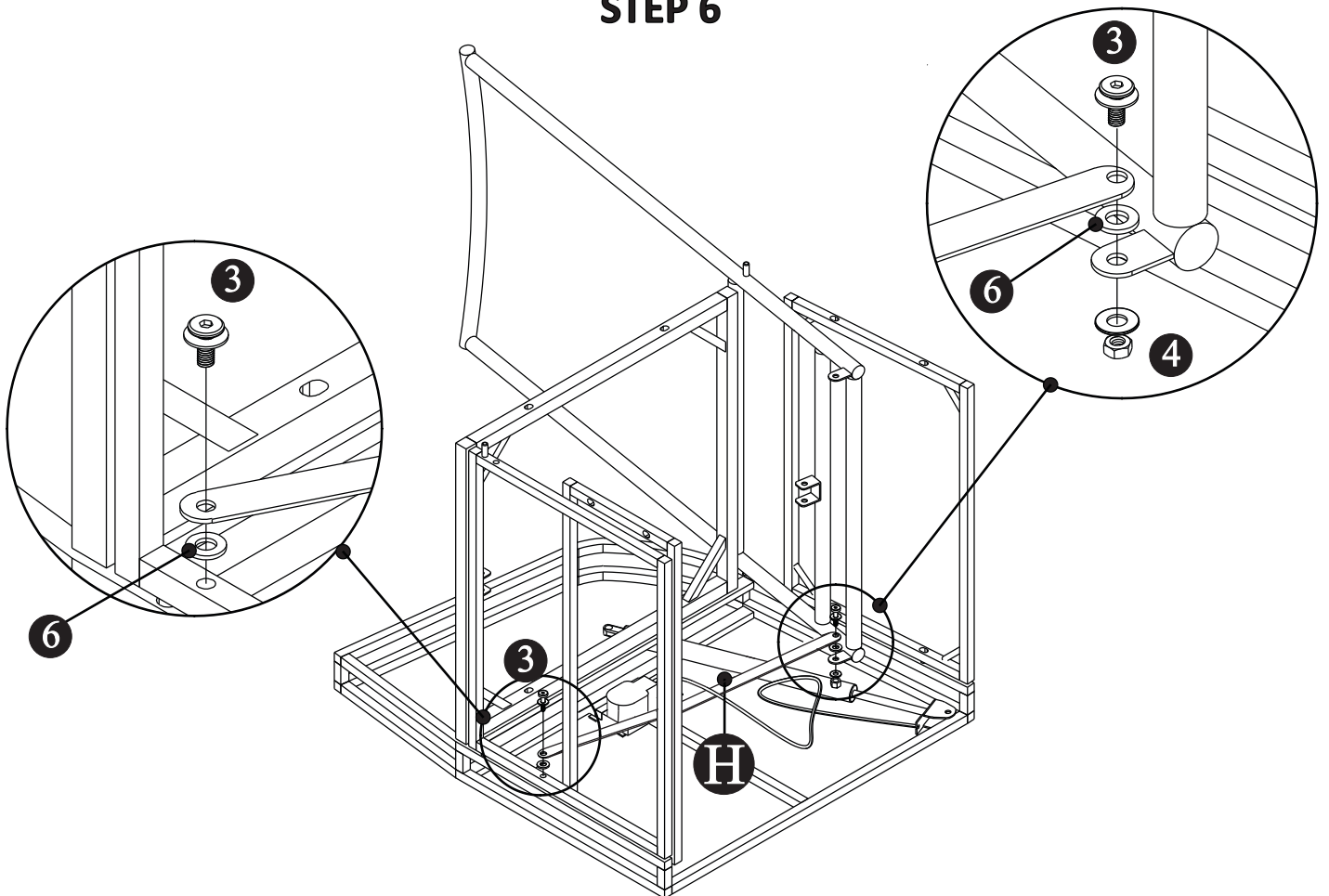


For successful installation, When installing, please do not tighten the screws once, when the screws are all installed, a unified tighten all the screws

STEP 5

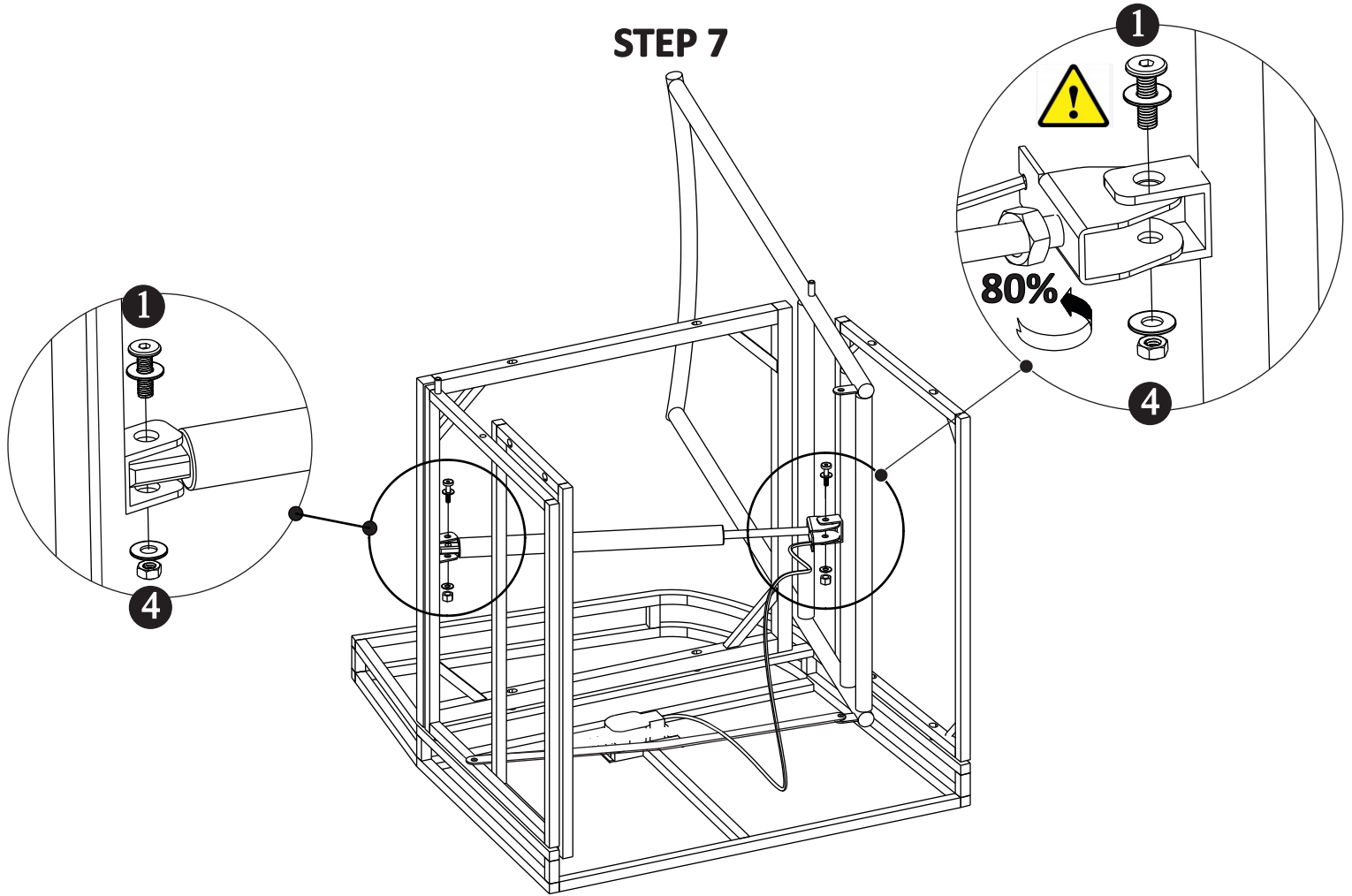


STEP 6

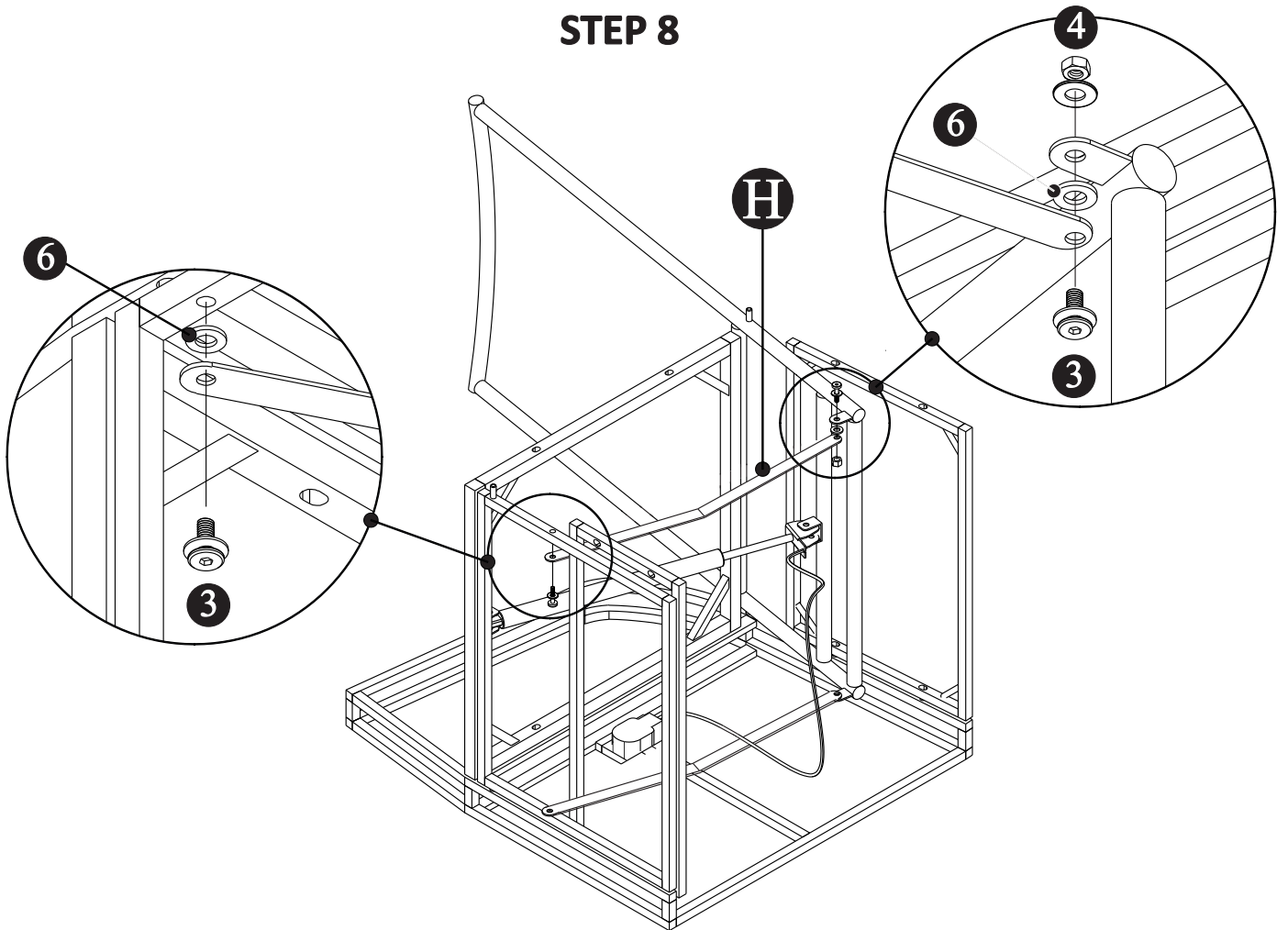


For successful installation, When installing, please do not tighten the screws once, when the screws are all installed, a unified tighten all the screws

STEP 7



STEP 8

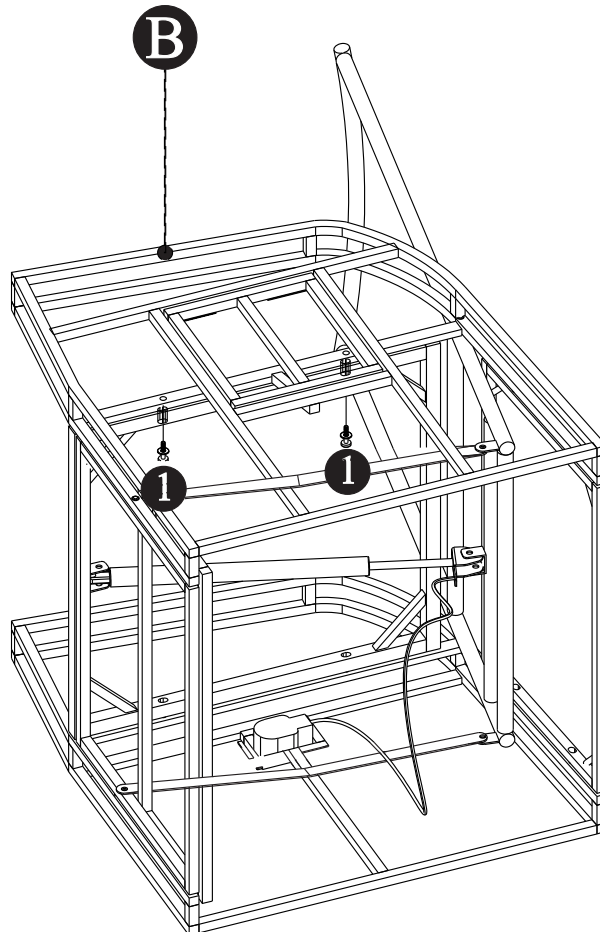


For successful installation, When installing, please do not tighten the screws once, when the screws are all installed, a unified tighten all the screws

STEP 9

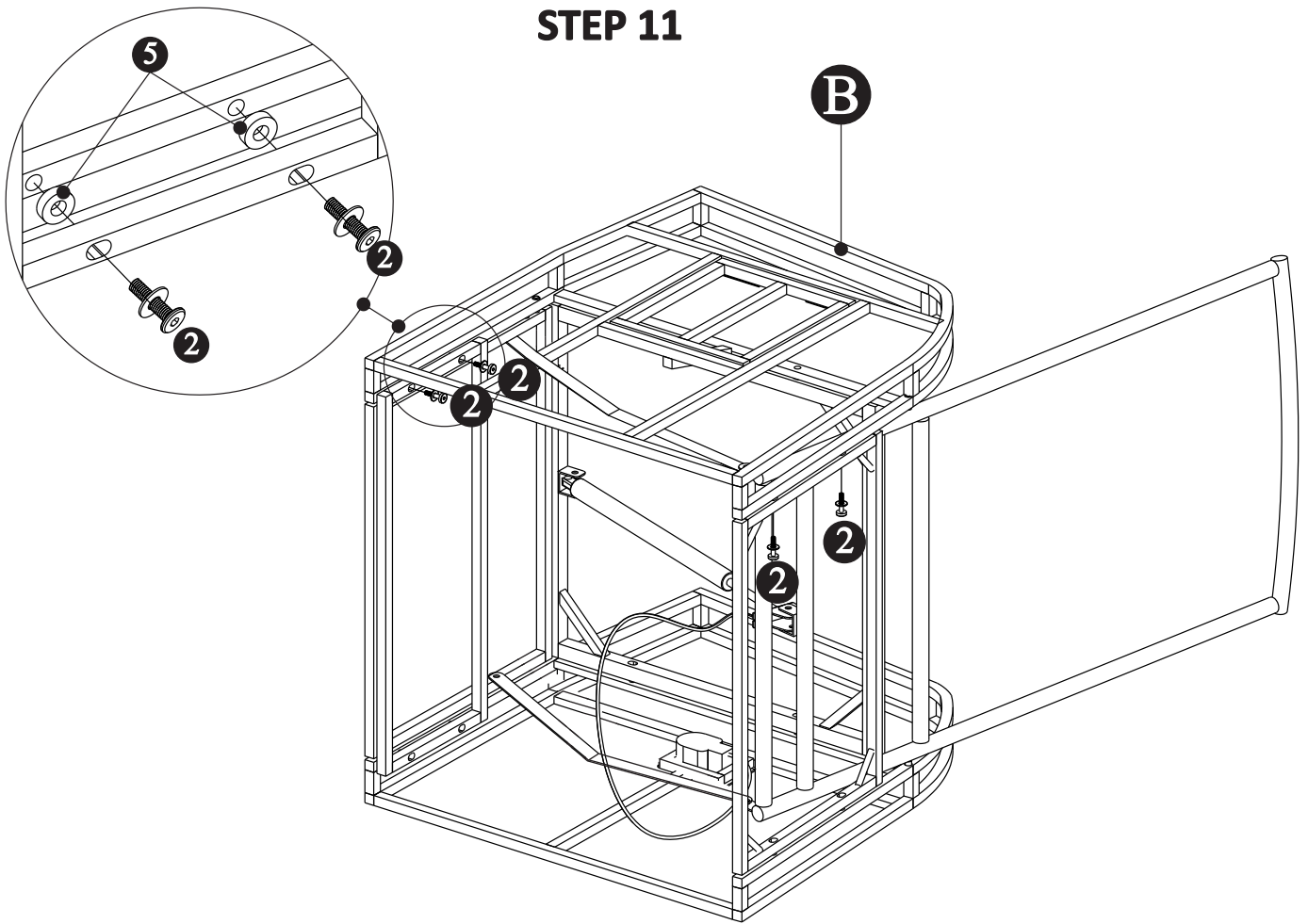


STEP 10

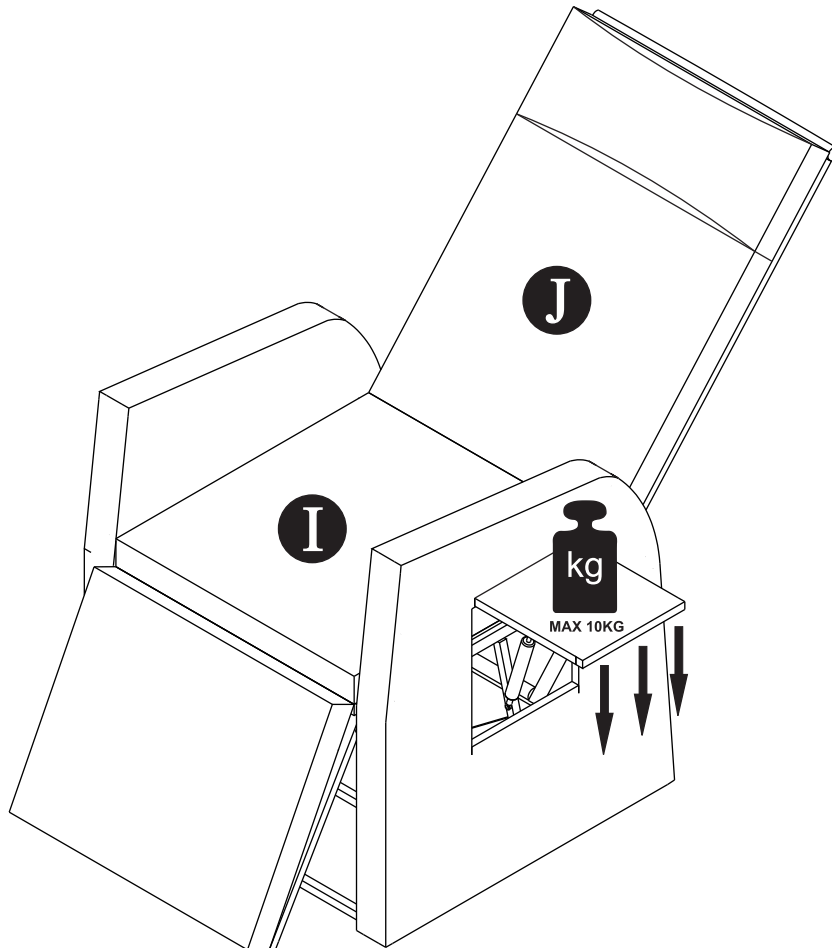


For successful installation, When installing, please do not tighten the screws once, when the screws are all installed, a unified tighten all the screws

STEP 11



STEP 12



1

The cushion can be fastened to the rattan with the effective horn button.



2

Open the rattan and fasten the horn button to a chosen position.



3

Attached to a spare tape, the horn button allows the cushion to move freely.



4

Contact us for any further problems concerning the item.

