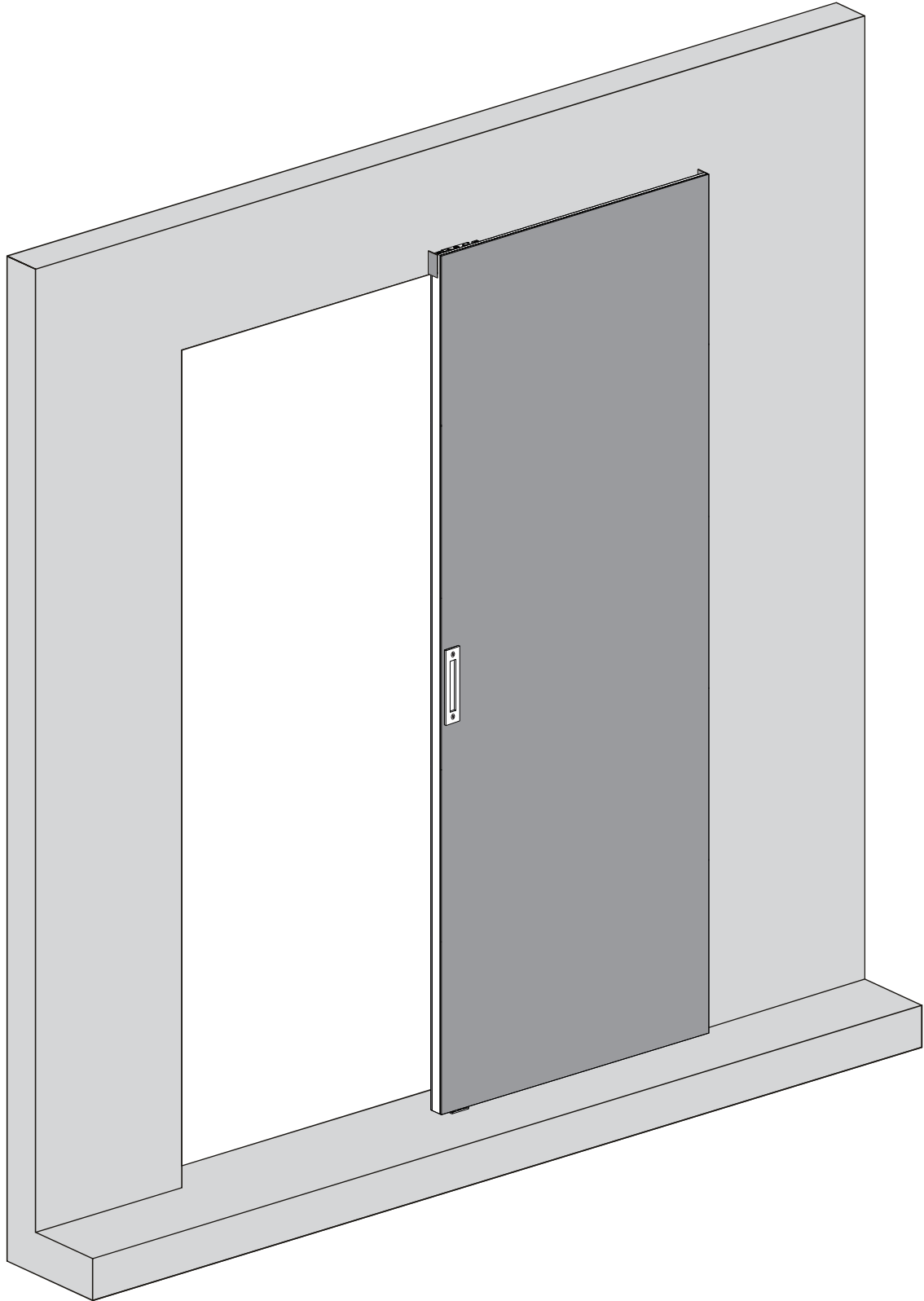


# 30\*84 inch Hidden Barn Door Installation Manual

---

Any question please contact us :  
[support@jubest.com](mailto:support@jubest.com)

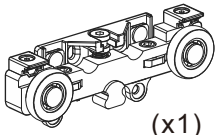

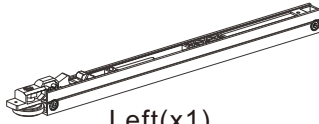
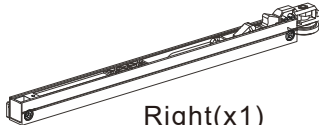
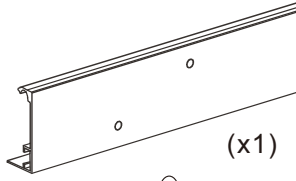

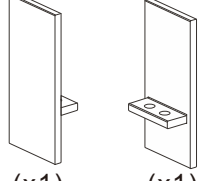

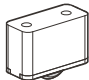

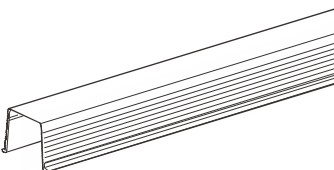
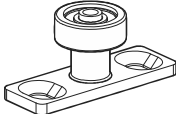



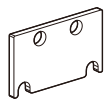


YCM07-30x84IN+HD



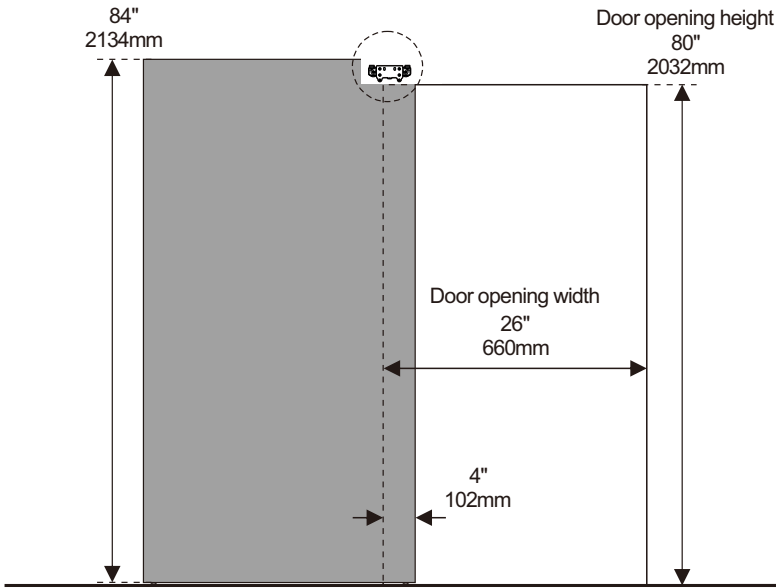
# TOOLS REQUIRED



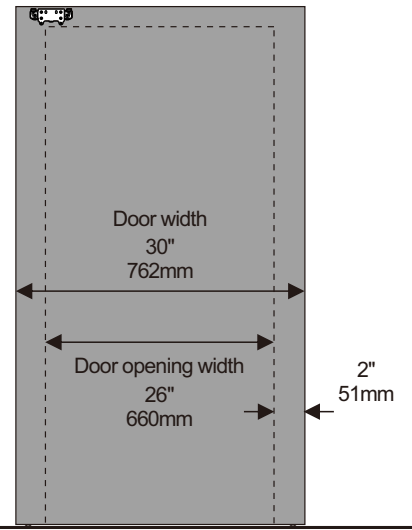
# WHAT IS IN THE BOX

<p><b>A</b> Adjustable top roller</p>  <p>(x1)</p>  <p>(x4) (x4)</p> <p>ST 11/64"x1 31/32" (4.2mmx50mm) <math>\text{Ø} 5/16"</math> (8mm)</p>	<p><b>B</b> Soft close kits</p>  <p>Left(x1)</p>  <p>Right(x1)</p>	<p><b>C</b> Sliding track</p>  <p>(x1)</p>  <p>(x7)</p> <p>ST 9/64"x33/64" (3.5mmx13mm)</p>	<p><b>D</b> End caps for track</p>  <p>(x1) (x1)</p>  <p>(x2)</p> <p>ST 7/64"x3/8" (2.9mmx9.5mm)</p>
<p><b>E</b> Bottom roller</p>  <p>(x2)</p>  <p>(x4)</p> <p>ST 11/64"x63/64" (4.2mmx25mm)</p>	<p><b>F</b> Bottom guide channel</p>  <p>(x1)</p>	<p><b>G</b> Floor mounted guide</p>  <p>(x1)</p>  <p>(x2) (x2)</p> <p>ST 3/16"x1 1/2" (4.8mmx38mm) <math>\text{Ø} 5/16"</math> (8mm)</p>	<p><b>H</b> Flush pull</p>  <p>(x2)</p>  <p>(x4)</p> <p>M 15/64"x63/64" (6mmx25mm)</p>
<p><b>I</b> Spacer</p>  <p>(x1)</p>	<p><b>J</b> Door slab</p>  <p>(x1)</p> <p>30"x84" (762mmx2134mm)</p>	 <p>(x1)</p>	

Door opened position

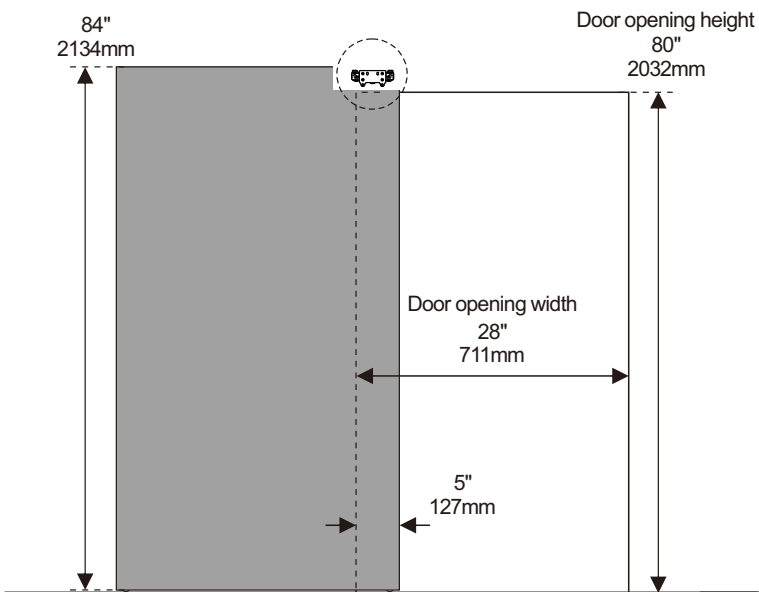


Door closed position

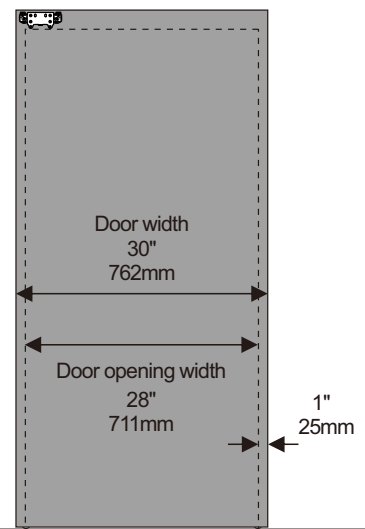


fits 26\*80 or 28\*80 inch door opening, please consult with us before installation if you have other sizes of door opening

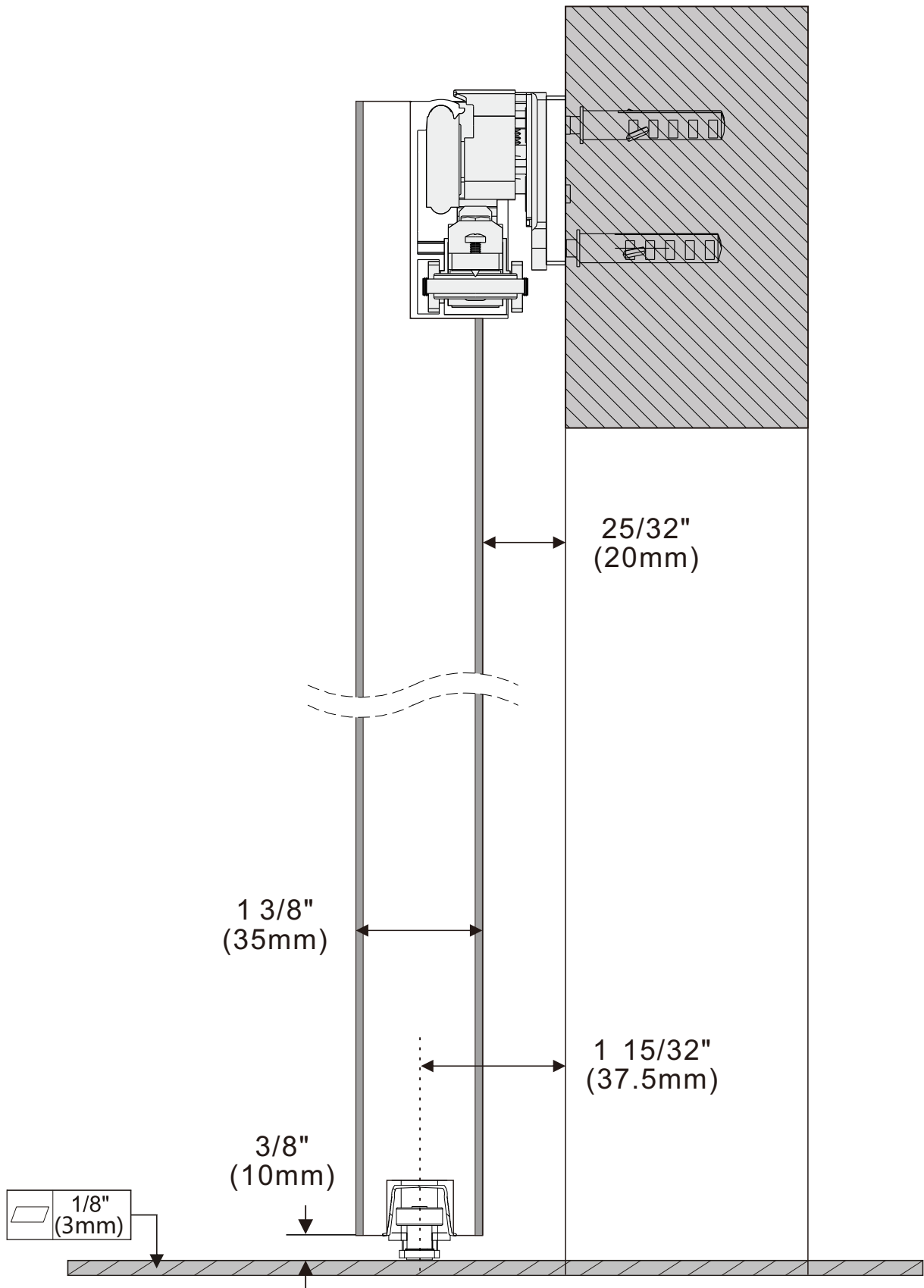
Door opened position



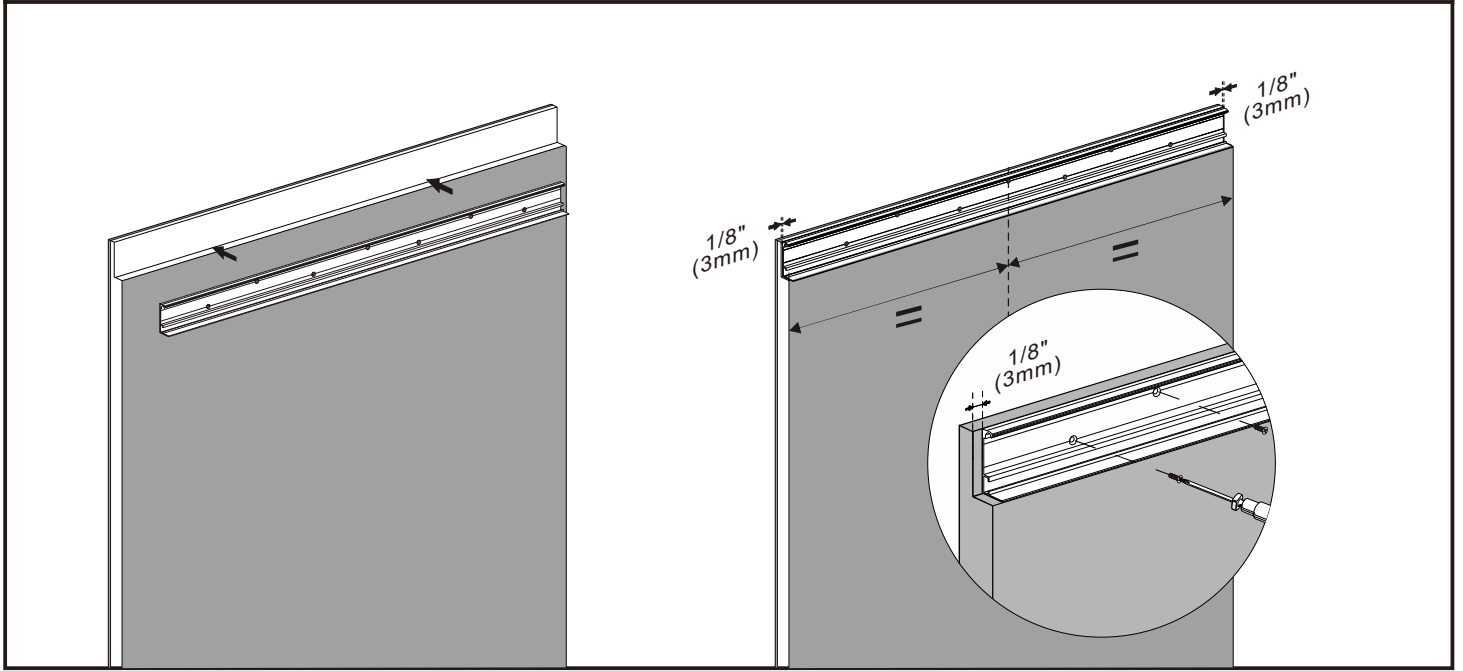
Door closed position



# Section drawing



# 1 Mount aluminum track (C) on door (J)



# 2 Mount soft close kits(B)

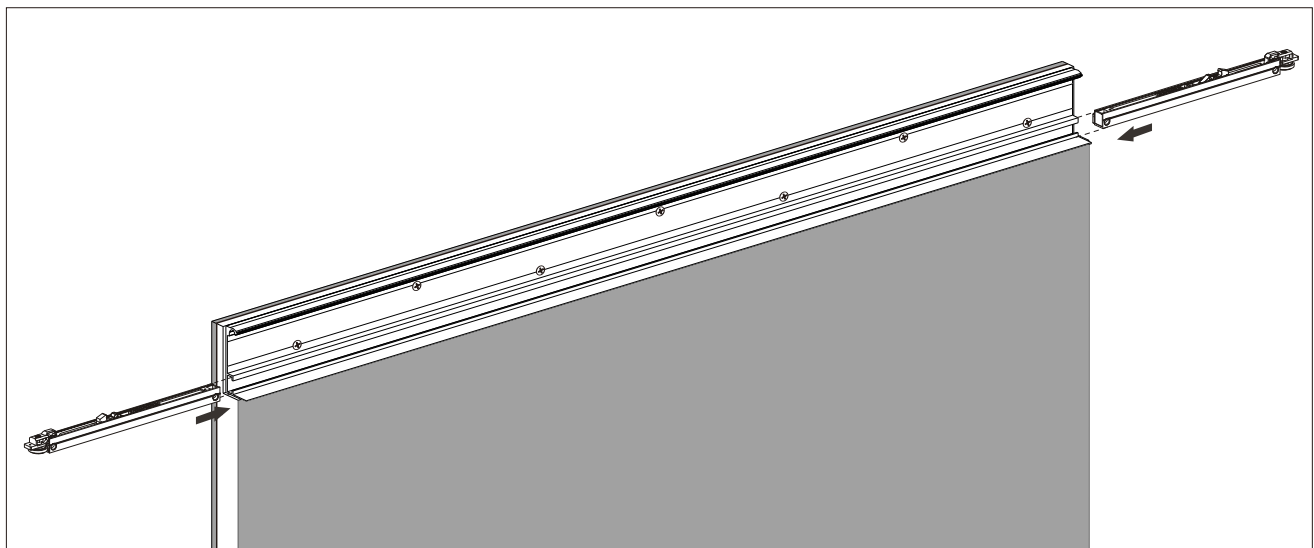
① Activate soft close devices by hand



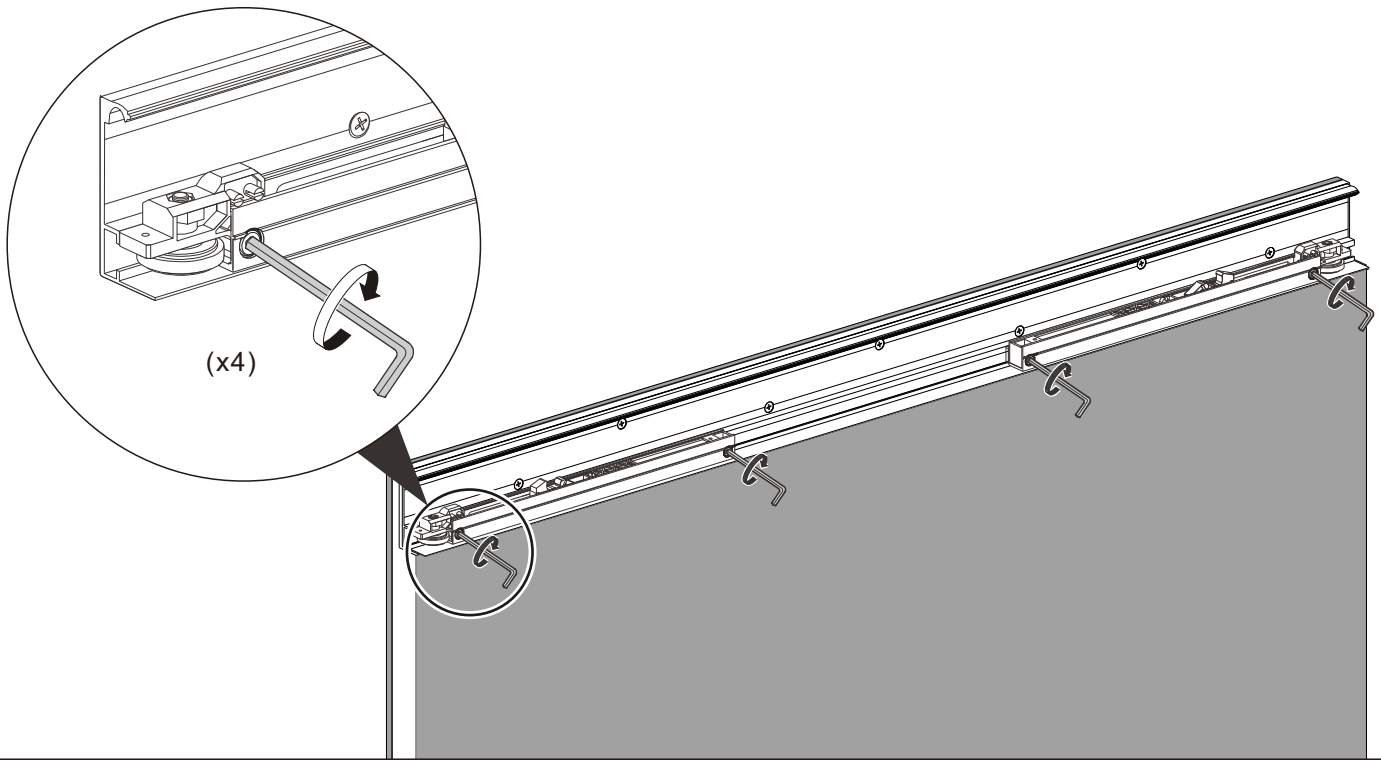
② Loosen screw on both ends of soft close device



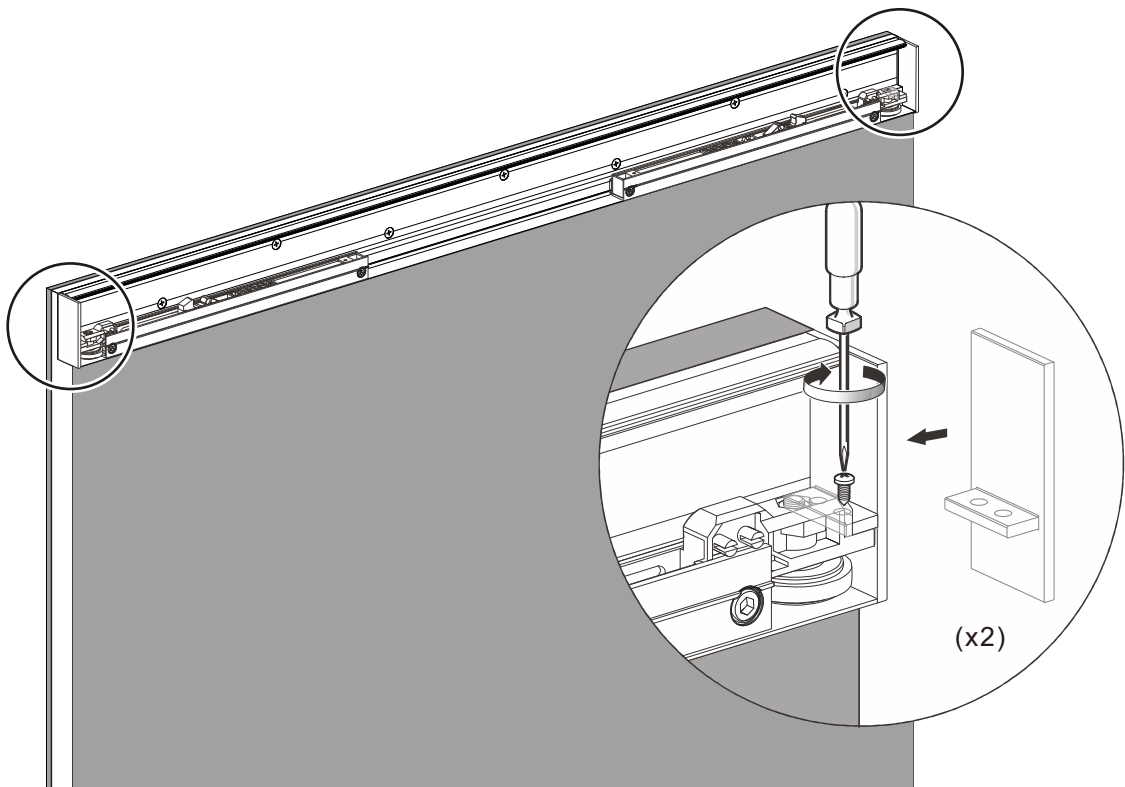
③ Slide both left sided and right sided soft close devices in the track(C)



④ Ensure it is flush with the end of track(C) and fasten the screw

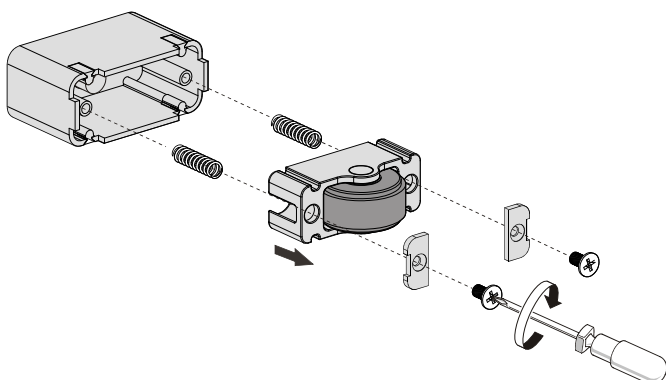


③ Fasten caps(D) onto both ends of track

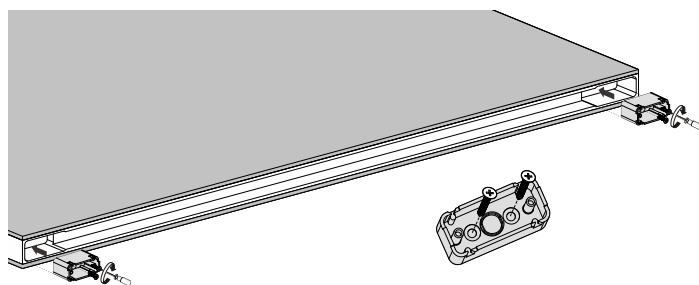


## 4 Install bottom roller(E) and guide channel(F) inside the slot of door slab(J)

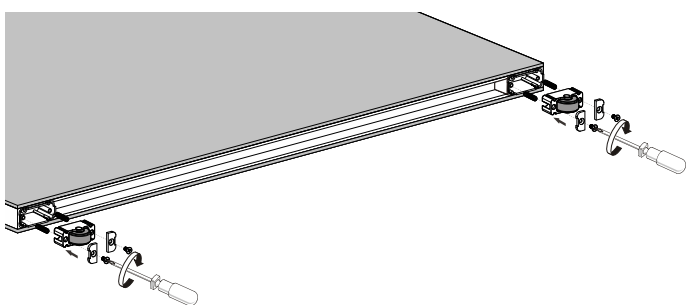
① Remove the wheel from the case



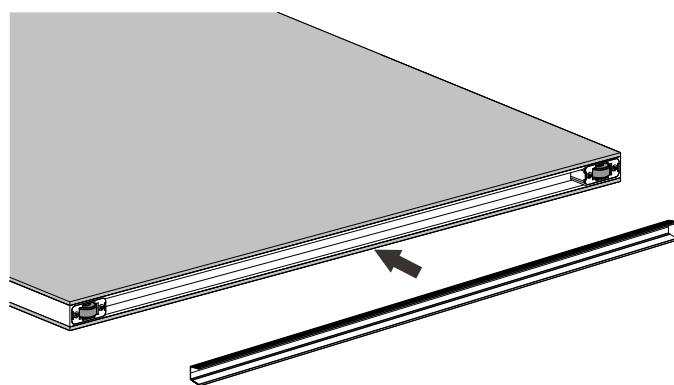
② Fasten bottom roller case inside the bottom of door slab



③ Fasten the wheel inside the case



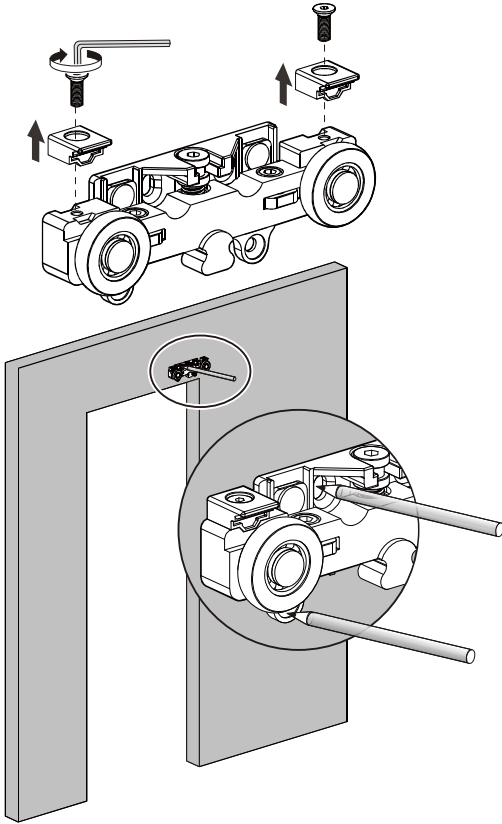
④ Press fit guide channel inside the slot



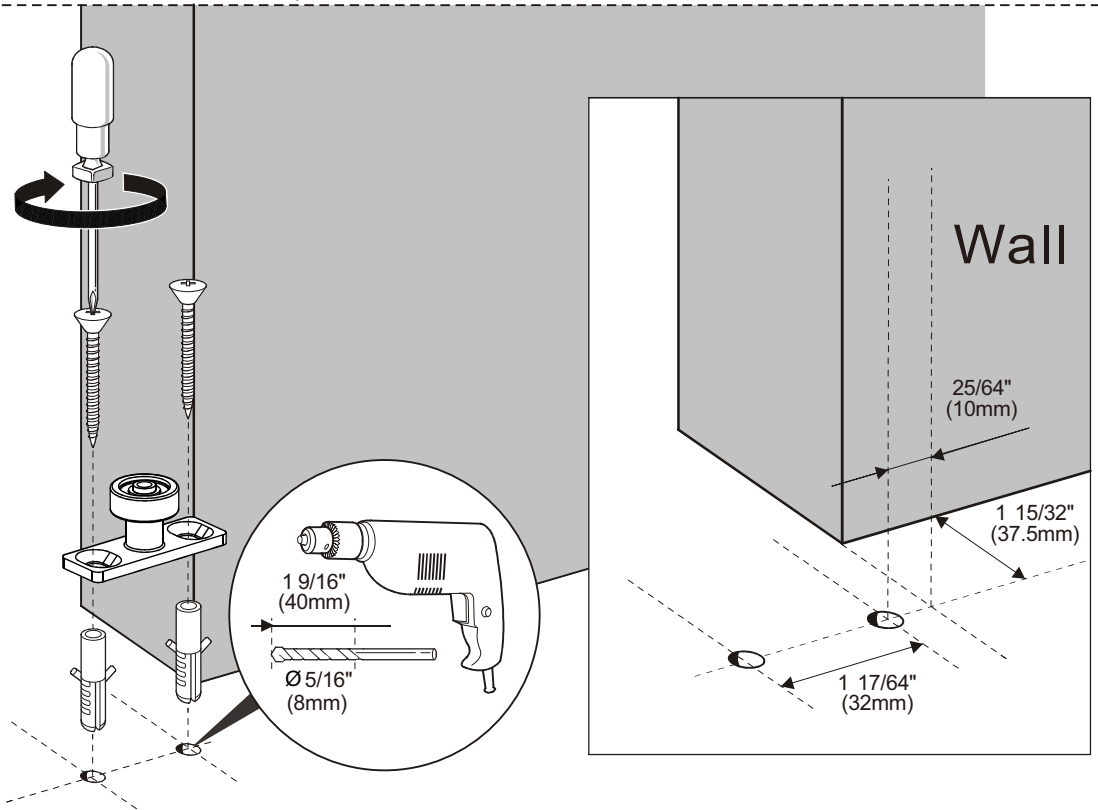
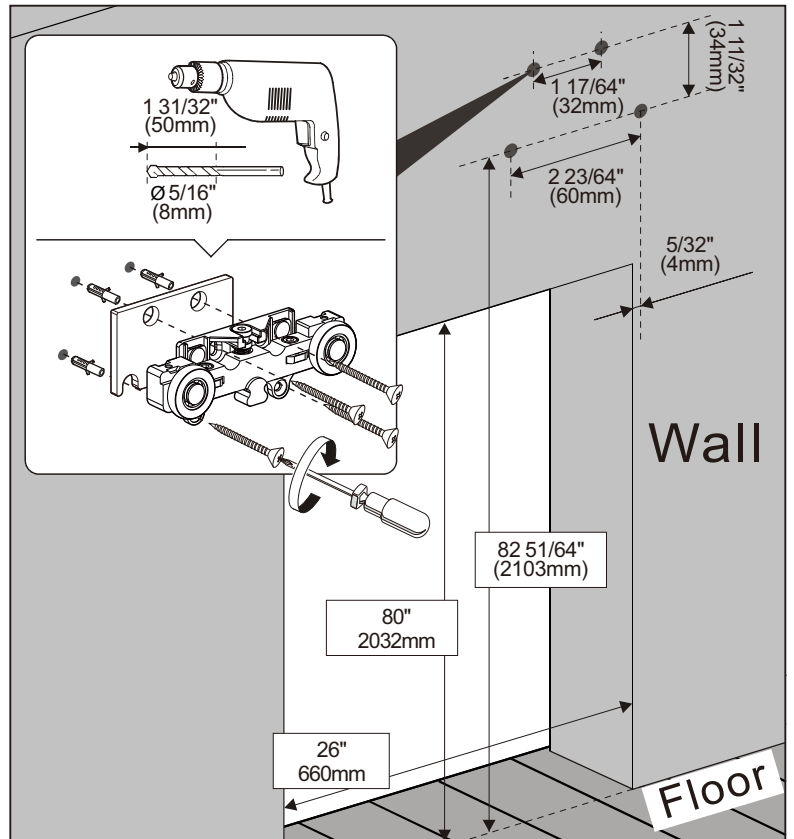
**5** Mount adjustable top roller(A) and mount floor guide(G)  
 NOTE: top roller assembly must be installed into wall blocking.

Door opening size: 26x80"

① Loose the screw and remove anti-jump block



② Fasten the top roller onto wall through spacer(I)



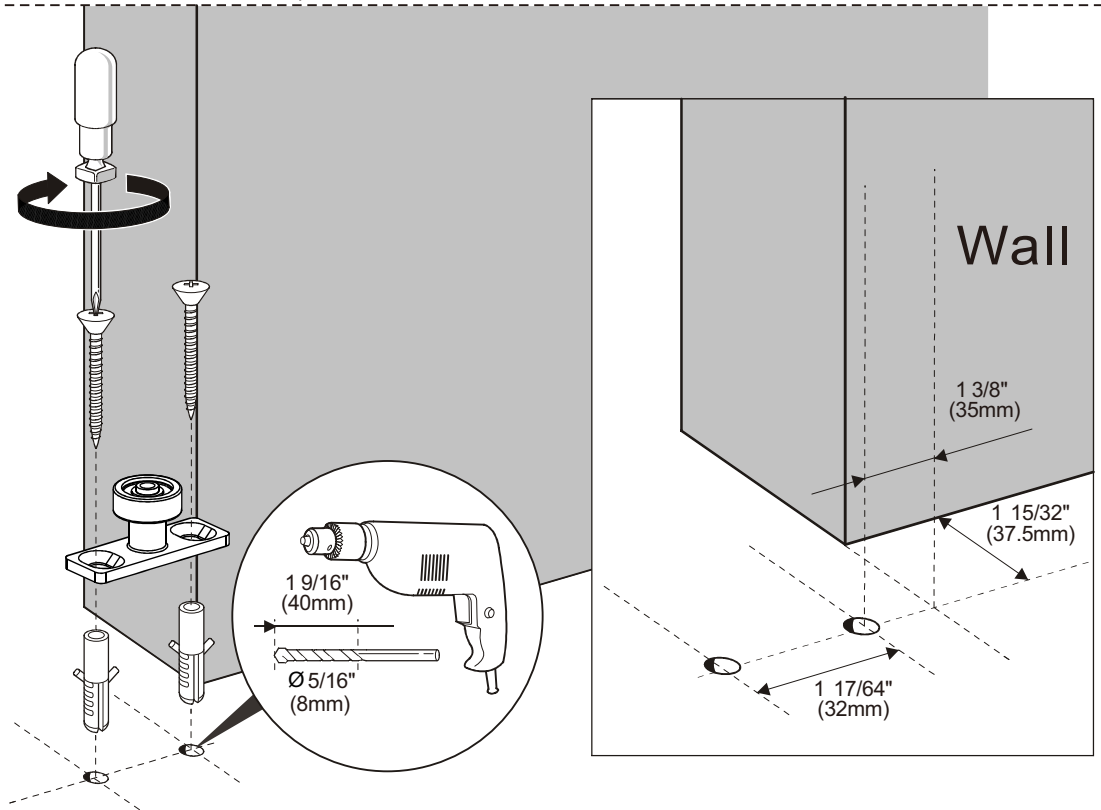
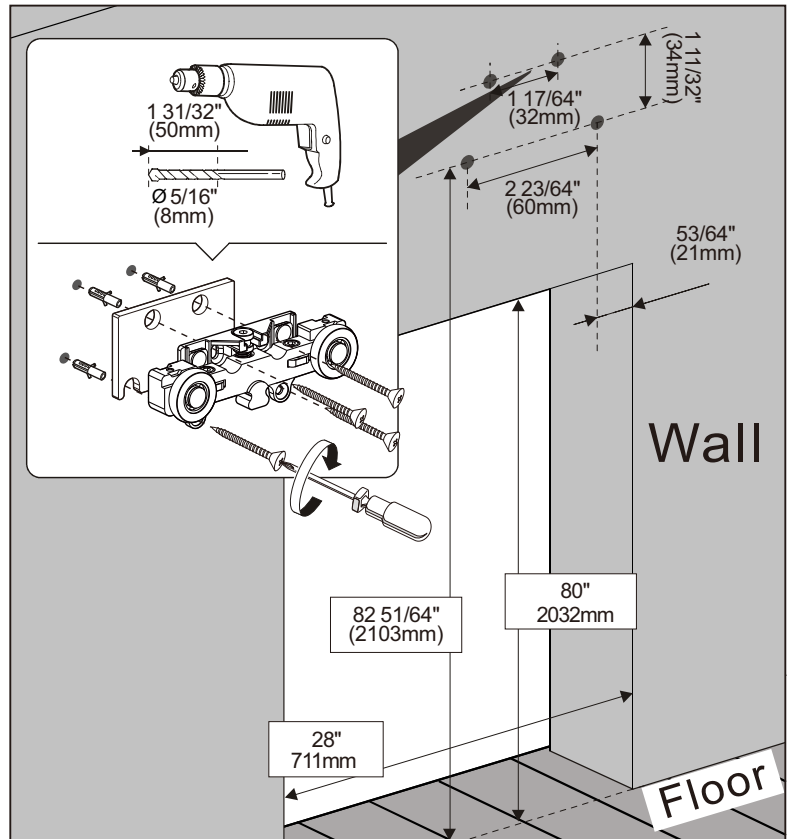
**5** Mount adjustable top roller(A) and mount floor guide(G)  
 NOTE: top roller assembly must be installed into wall blocking.

Door opening size: 28x80"

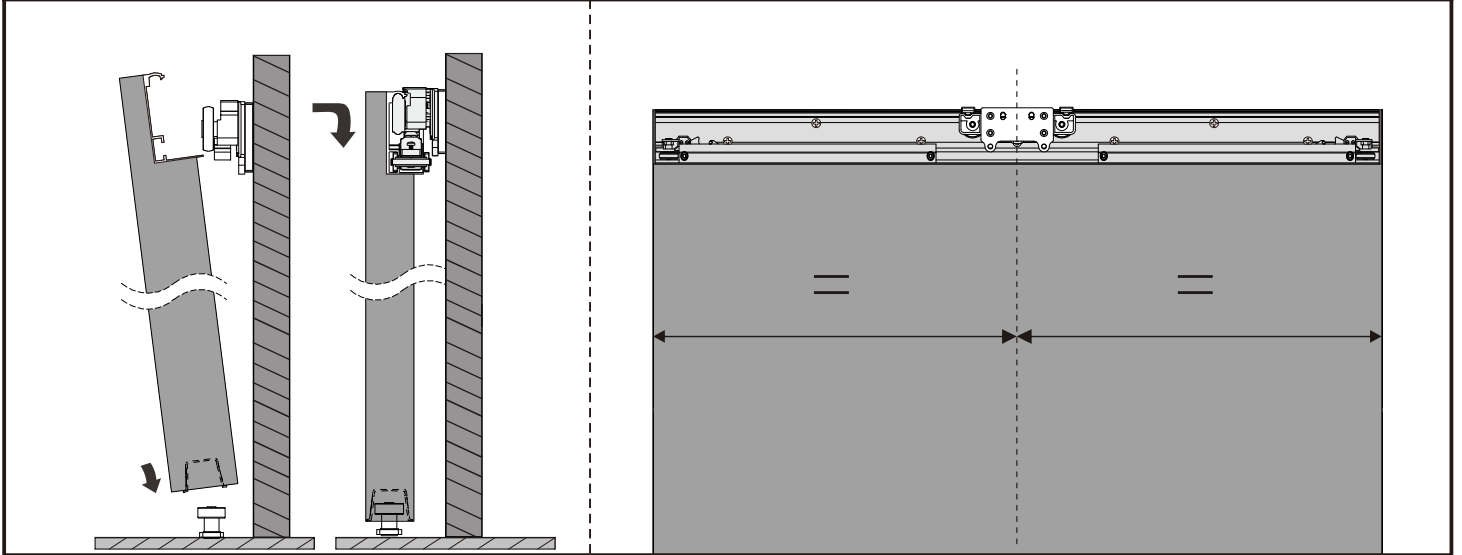
① Loose the screw and remove anti-jump block



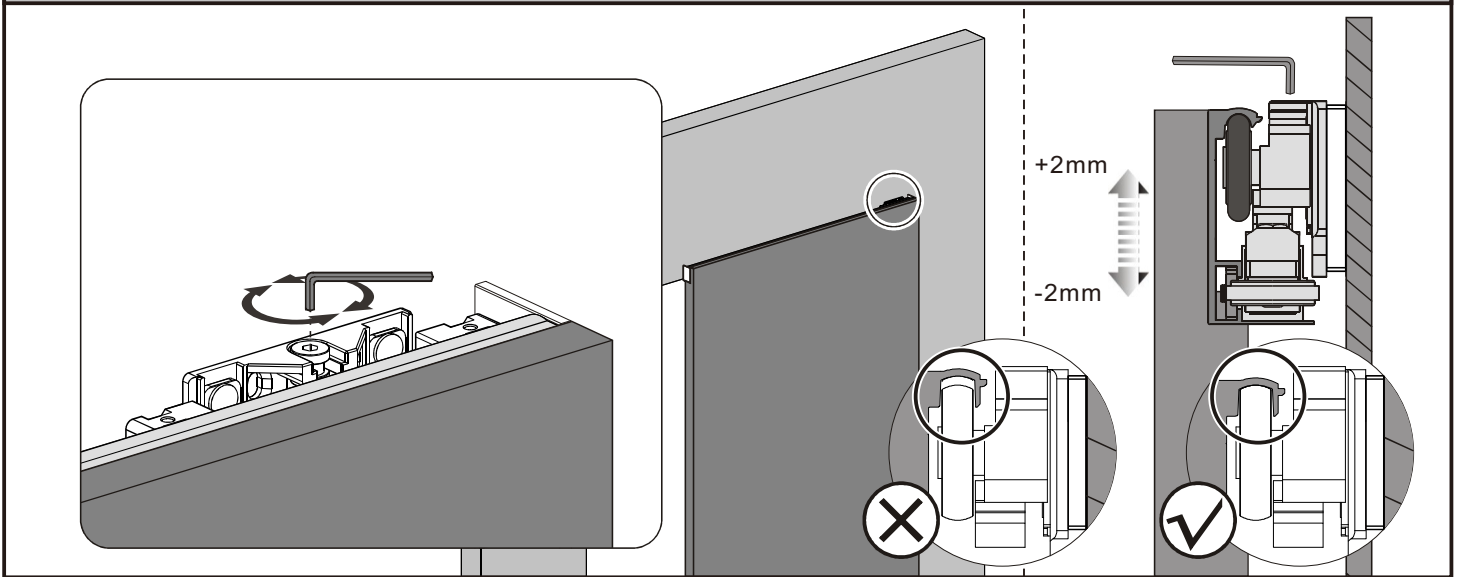
② Fasten the top roller onto wall through spacer(I)



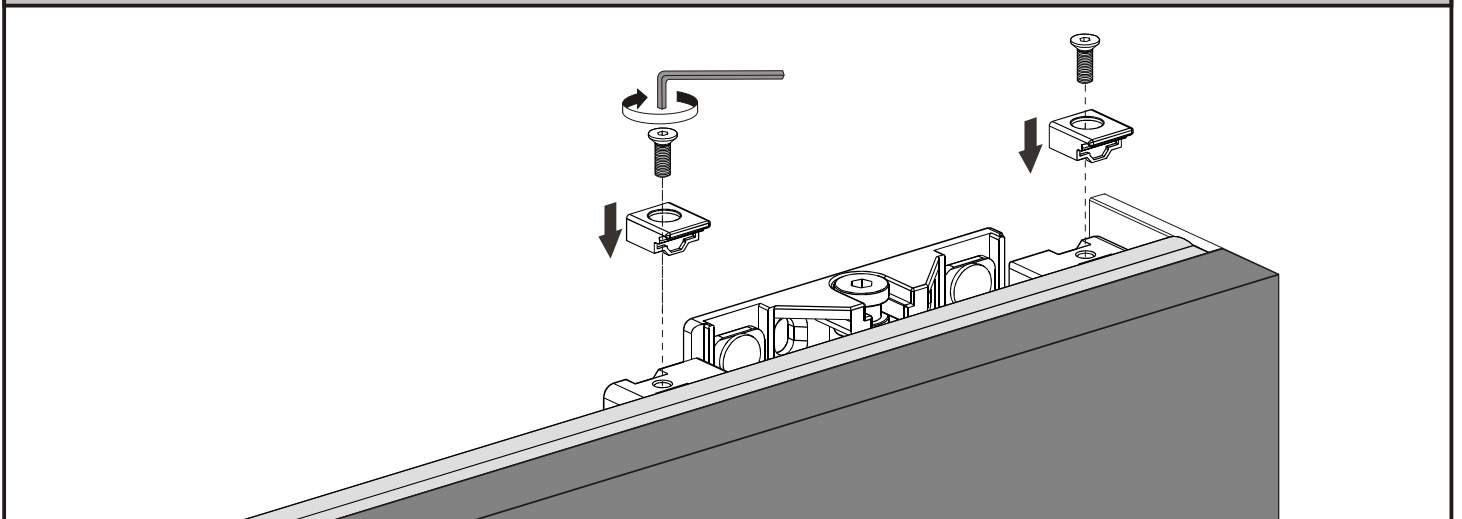
**6** Install door slab(J) onto top track(C) and slide the door slab to ensure top roller(A) is at the center of track(C) horizontally



**7** Fasten the screw to adjust the hanger height to ensure wheel touches the upper inside of track



**8** Tighten the anti-jump block



**9** Slide the door slab both left and right to ensure actuator is in between the fin of soft close device



**10** Adjust the tightness of the screw to ensure door slab(J) is parallel with wall



**11** install flush pull(H) onto both sides of door slab(J)

