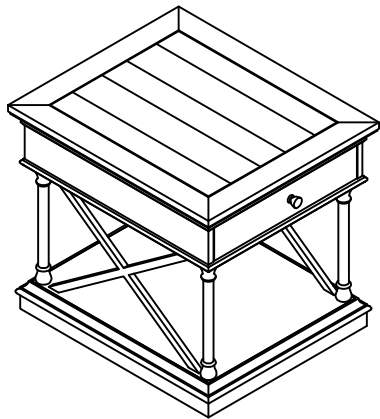


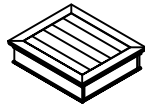
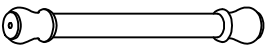


ASSEMBLY INSTRUCTION

DESCRIPTION: DRAWER END TABLE





Thank you for purchasing this quality product. Be sure to check all packing material carefully for small parts, which may have come loose inside the carton during shipment. Identify and count all parts and compare with the parts list below.



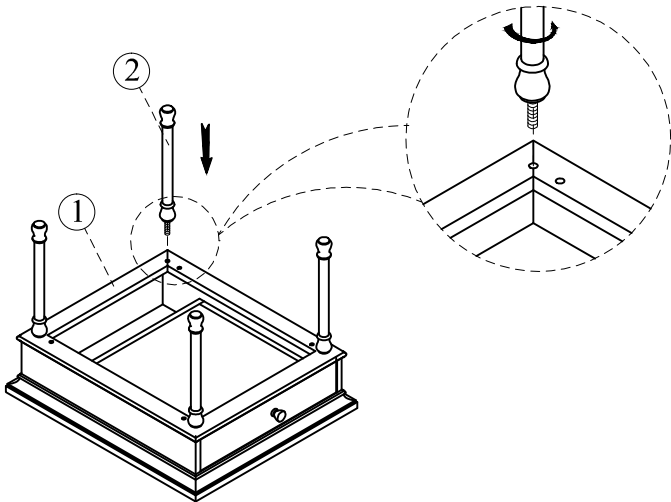
PARTS LIST

NO	DRAWING	DESCRIPTION	QTY
1		Table Top	1
2		Metal Leg	4
3		Metal X-Frame	2
4		Table Base	1

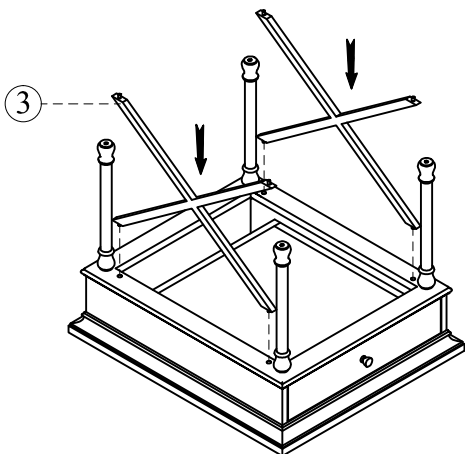
HARDWARE LIST

NO	DRAWING	DESCRIPTION	QTY
A		Bolt Ø5/16"x32mm	4
B		Spring Washer Ø5/16"xØ13mm	4
C		Flat Washer Ø5/16"xØ19mm	4
D		Allen Key 4mm	1

STEP 1



STEP 2



STEP 3

