

## SAFETY PRECAUTION

### IMPORTANT: PLEASE READ BEFORE INSTALLATION:

1. Before you begin installing the fan, shut power off at the circuit breaker of the fuse box.

2. **CAUTION:** Read all instructions and safety information before installing your new fan. Review accompanying assembly diagrams.

3. Make sure that all electrical connections are in accordance with National Electrical Code, ANSI/NFPA 70 and local codes. Hire a licensed electrician if you are unfamiliar with installing electrical wiring.

4. Make sure the installation site you choose allows the fan blades to rotate without any obstructions. Allow a minimum clearance of 2.1m (7 feet) from the floor and 18 inches from the tip of the blades to the wall.

5. **WARNING:** To reduce the risk of fire, electric shock, or personal injury, mount to outlet box marked "Acceptable for Fan Support of 15.9 kg (35 lbs) or less" and use mounting screws provided with the outlet box.

6. **CAUTION:** To reduce the risk of injury, use only the screws provided with the outlet box in conjunction with the lock washers provided with the fan.

7. The outlet box and support structure must be securely mounted and capable of reliably supporting a minimum of 35 pounds. Use only U.L. listed outlet boxes marked "Acceptable for Fan Support of 15.9 kg (35 lbs) or less".

8. After you install the fan, make sure that all mounting components are secured to prevent the fan from falling.

9. Do not insert anything into the fan blades while the fan is operating.

10. To change the direction of the rotation of the blades the fan must be in operation mode.

11. All set screws must be checked and retightened where necessary before installation.

12. **WARNING:** To reduce the risk of personal injury, do not bend the blade bracket when installing the brackets, balancing the blades, or cleaning the fan. Do not insert foreign objects in between rotating fan blades.

13. **CAUTION:** To reduce the risk of electric shock, disconnect the electrical supply circuit to the fan before installing light kit.

14. After making the wire connections, the wires should be spread apart with the grounded conductor and the equipment-grounding conductor on one side of the outlet box and the ungrounded conductor on the other side of the outlet box.

15. The splices after being made should be turned upward and pushed carefully up into the outlet box. Conductor wiring identified as grounded is to be connected to a grounded conductor of power supply. Conductor wiring identified as ungrounded conductor is to be connected to an ungrounded conductor. Conductor wiring identified for equipment grounding is to be connected to an equipment-grounding conductor.

16. This device complies with part 15 of the FCC Rules. Operation is subject to the following two conditions: (1) This device may not cause harmful interference, and (2) this device must accept any interference received, including interference that may cause undesired operation.

**WARNING:** To reduce the risk of fire or electric shock, this fan must be installed with a general use, isolating wall control/switch.

**WARNING:** To reduce the risk of fire or electric shock, do not use this fan with any solid-state speed control device.

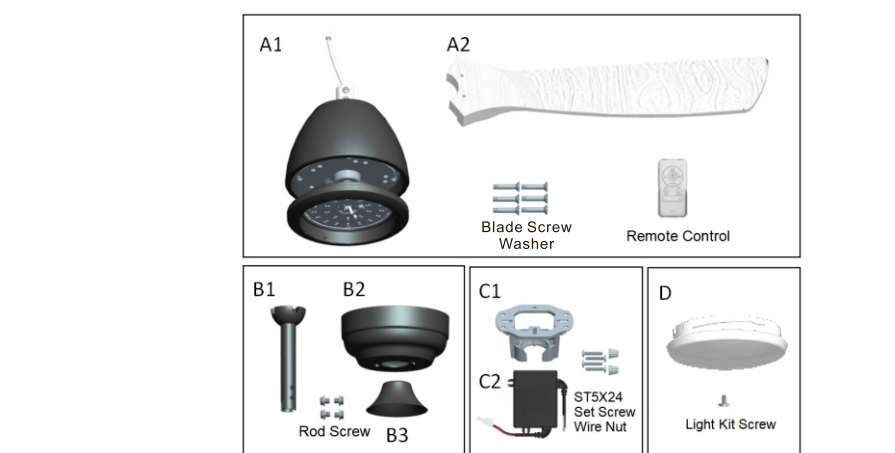
**NOTE:** The important safeguards and instructions appearing in this manual are not meant to cover all possible conditions and situations that may occur. It must be understood that common sense, caution and care are factors which cannot be built into this product. These factors must be supplied by the person (s) installing, caring for and operating the unit.

**CAUTION:** The light source is designed for this specific application and can overheat if serviced by untrained personnel. If any servicing is required, the product should be returned to an authorized service facility for examination or repair.

## BEFORE YOU START

Contact a licensed electrician if you are uncomfortable performing electrical work. A licensed electrician must install the fan if required by local code. Do not use the fan with a dimmer switch. Turn OFF power at breaker.

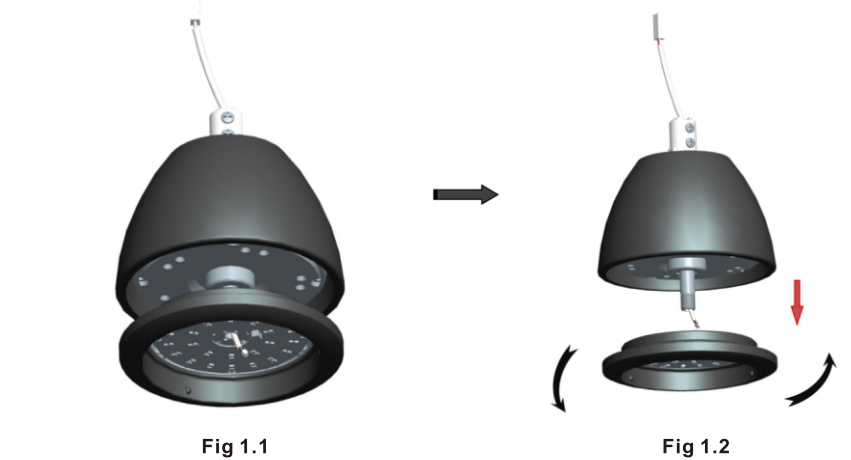
## Product Instruction:



## Installation:

### Disassembling the Motor Assembly

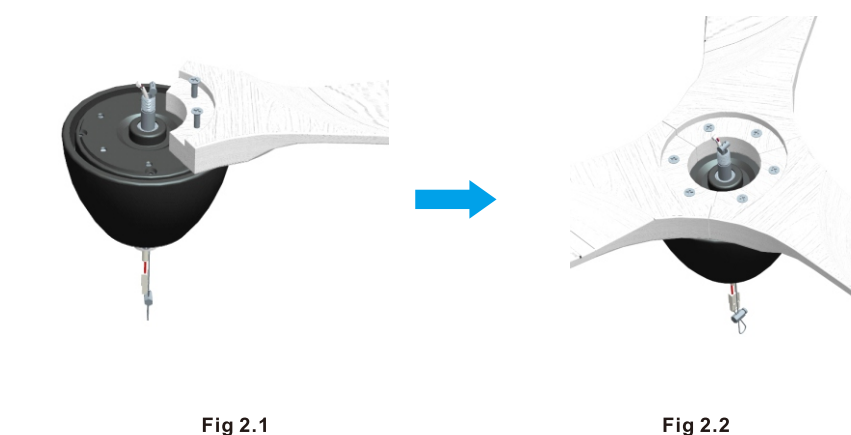
1.1 Take the motor assembly out of the box and then remove the light kit by rotating counterclockwise. Save the light kit for later use.



### Installing the Fan Blades

Align two blade holes with the screw holes of the motor head and fasten blades with the blade screws and washers as shown in Fig 2.1. Repeat for the remaining blades.

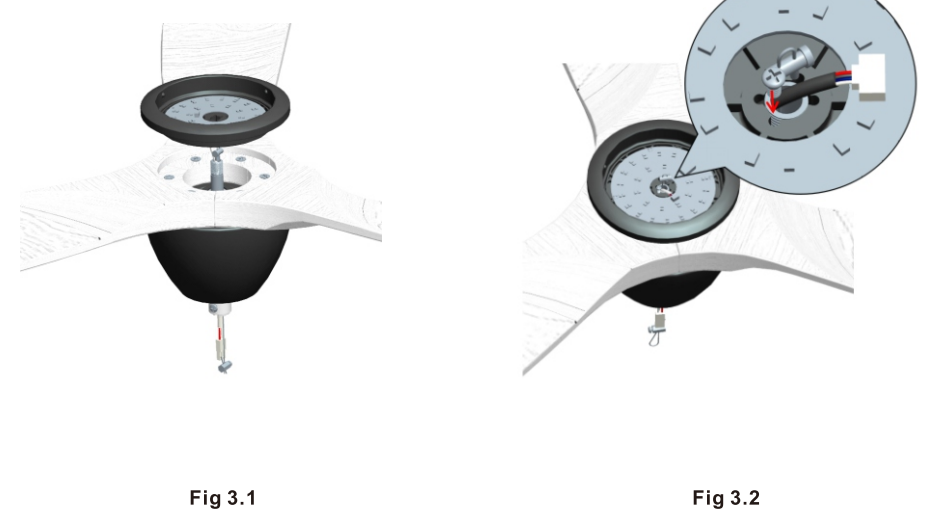
The installation of the blades is shown in the Fig 2.2.



### Installing the Light Kit

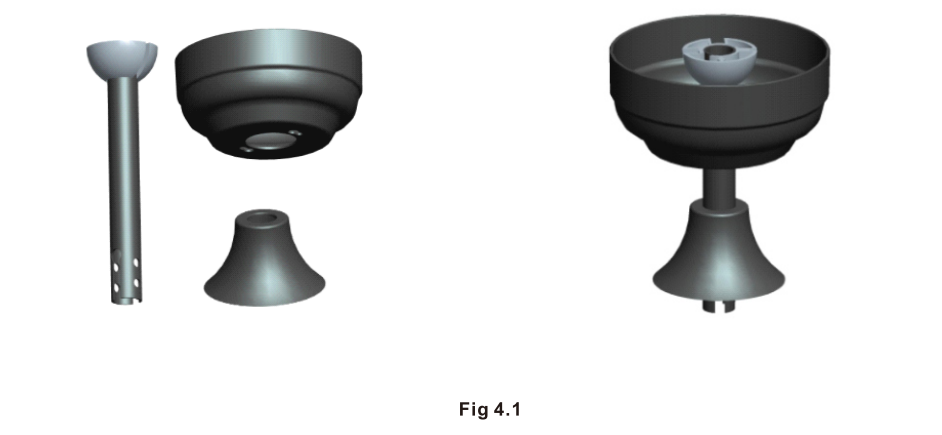
3.1 Feed the light pin wire and safety rope through center hole of the light kit. Rotate the light kit clockwise to lock the inner thread inside the middle hole of the light kit with the outer thread of the motor shaft. After that, one of four slots in the middle hole of the light kit should be aligned with the slot of the motor shaft.

3.2 Insert the light pin wire plug into the light kit terminal block. Join the half slot of light kit and half slot of motor shaft by tightening the light kit screw.



### Installing Downrod:

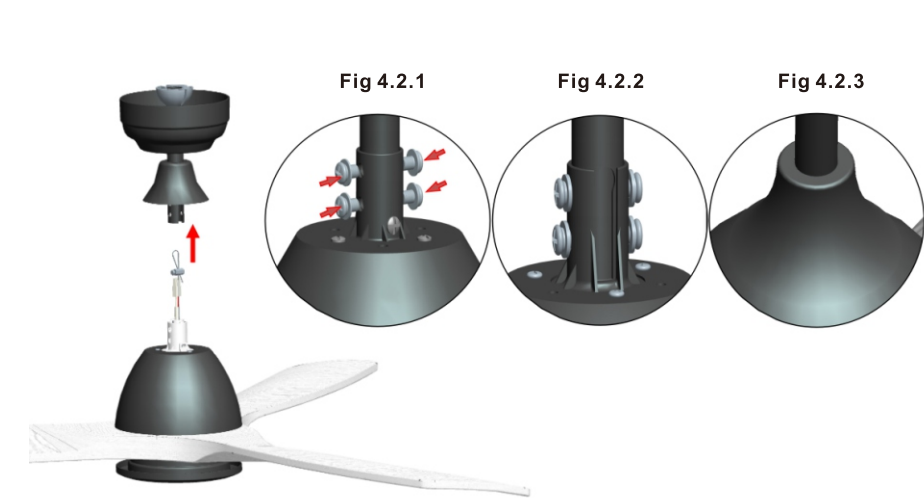
4.1 Assemble downrod as pictured in Fig 4.1.



4.2 Feed the motor pin wire and safety rope through the downrod.

Install four downrod screws (in screw package), securely tightening down to ensure proper connection. (See Fig 4.2.1 & 4.2.2)

Slide the wiring cover down until it rests on top of the motor assembly. (See Fig 4.2.3)



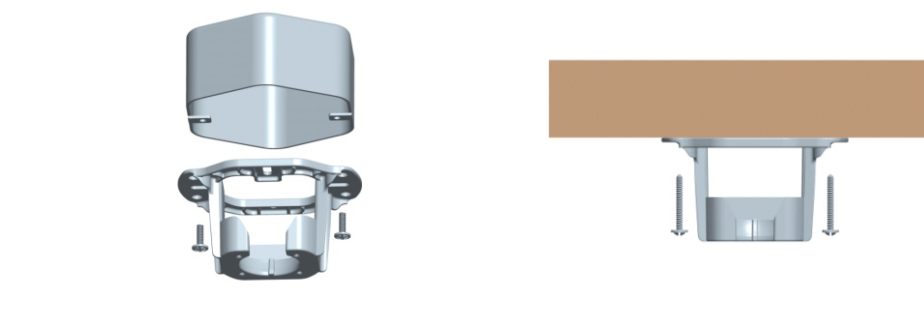
### Installing the Mounting Bracket

Install the mounting bracket to the ceiling box, as shown in Fig 5.1 below. Rotate the mounting bracket in different directions so that the bracket mounting holes match the screw holes of the ceiling box.

**NOTE:** This mounting bracket is a standard cable box. If the mounting bracket is installed at the outlet box, it should be installed on the outlet box with two screws matching the outlet box itself, as shown in Fig 5.1.

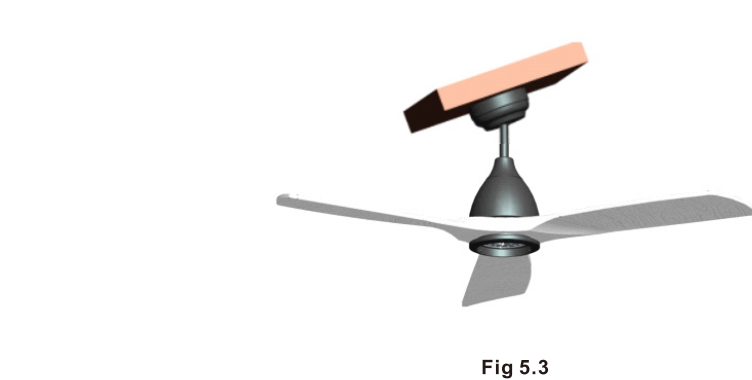
**NOTE:** DO NOT use plastic outlet box. Use only U.L. listed outlet boxes marked "Acceptable for Fan Support of 15.9 kg (35 lbs) or less". This bracket can also be mounted to the wooden ceiling beam, and then the four ST5x24 screws can be used to lock the corresponding holes on the left and right sides of the bracket.

**NOTE:** The wooden ceiling beam must meet the tensile test of 30KG for installation, as shown in Fig 5.2. It is also possible to install the mounting bracket directly to the concrete ceiling and install four screws (not included) to the left and right corresponding holes of the bracket to lock the ceiling.



### If you have an angled or vaulted ceiling (Fig 5.3)

1. When installing the mounting bracket, the bracket groove is upward.  
2. You will need a longer downrod.  
3. The maximum angle is 27 degree.



### Hanging Ceiling Fan & Installing Power Adapter & Wiring the fan:

**WARNING:** To reduce the risk of fire, electric shock or other personal injury, mount the fan only to an outlet box or supporting system marked acceptable for fan support and use the mounting screws provided with the outlet box.

**WARNING:** Check to see that all connections are tight, including ground, and there are no visible bare wires at the wire nuts (except for the ground wire).

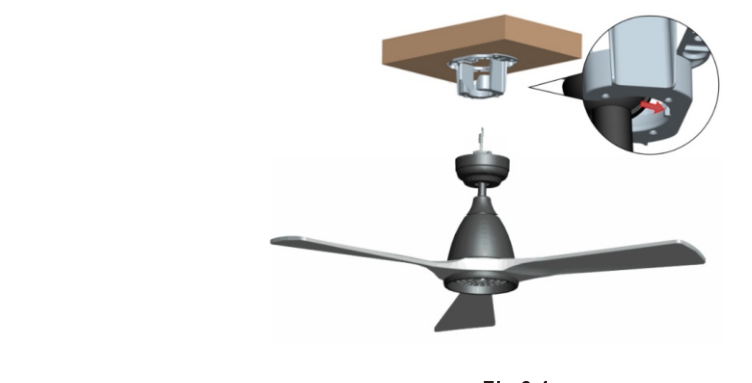
**WARNING:** To reduce the risk of fire or electric shock, do not use this fan with any solid-state speed control device.

**WARNING:** To avoid any electrical shock, be sure electricity is turned off at the main fuse box before wiring.

Install the ball end of the downrod into the opening of mounting bracket. Rotate the downrod until the tab in the mounting bracket is seated in the slot in the downrod ball as shown in the enlarged image of Fig 6.1.

Attach the other end of safety rope to a safe place.

**WARNING:** The fan and/or downrod should not rotate in the mounting bracket, if installed correctly. Failure to align the slot in the downrod ball with the tab on the mounting bracket may result in fan falling causing serious injury or death.



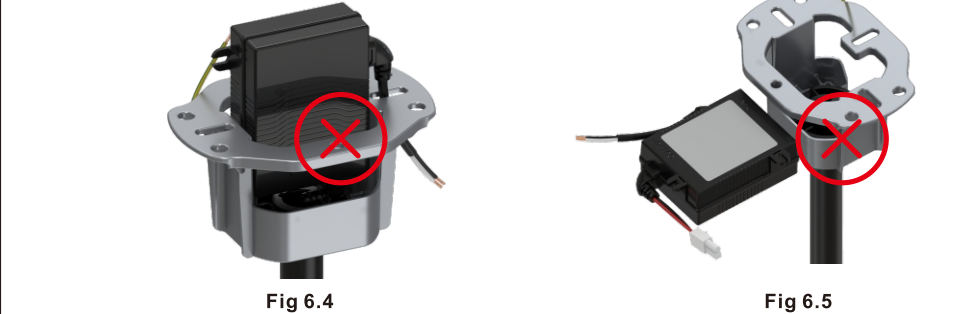
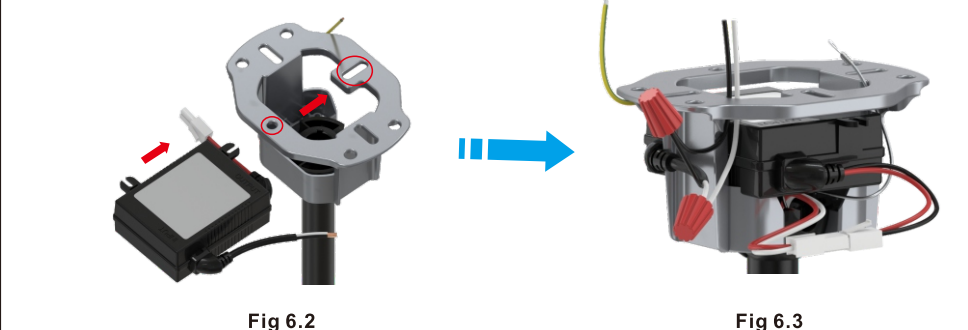
Slide the Adapter inside the bracket and connect the DC output wire connector plug of the adapter with the motor pin wire connector which through the downrod as shown in Fig 6.3. Make sure all wires are tucked in the canopy. Connect the input wires of the adapter to the supply wires.

**IMPORTANT:** After the connections have been made, the connected wires should be turned upward and pushed carefully up into the outlet box.

**WARNING:** Slide the adapter horizontally into the bracket in the direction of the arrow shown in Fig 6.2 below, and the flat side facing the ceiling. Note that the upper patterns of the mounting bracket correspond to the two sides of the adapter's push-in.

**NOTE:** DO NOT stand upright (as shown in Fig 6.4) or place the adapter incorrectly (as shown in Fig 6.5) otherwise the adapter cannot be inserted into the bracket, which will affect the wiring.

**NOTE:** The Green/Yellow wire from bracket connects with the supply Ground wire using the wire nut. Connect the White wire of the Adapter to the supply White (Neutral) wire using a wire nut, connect the Black wire of the Adapter to the supply Black (Hot/Live) wire using a wire nut. Then hide them inside the ceiling. (Make sure all the wires are connected to the correct colors as shown in Fig 6.3)

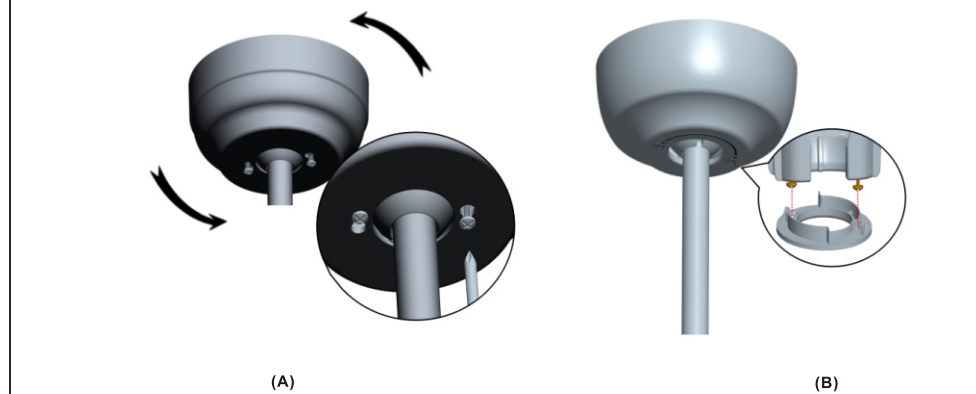


### Installing the Canopy

There are two kinds of canopies and two ways to install. You may receive one of them. Please follow below instructions before installation.

**A: The screws of mounting bracket are exposed.** Make sure all wires are tucked in the canopy. Raise the canopy to the mounting bracket, align the hole slots in the canopy with the two mounting bracket screws, then turn the canopy in the direction of the arrow in Fig A until the mounting brackets screws engage from the bigger slots of the canopy to the smaller ones. Then secure the canopy to the mounting bracket by tightening the screws.

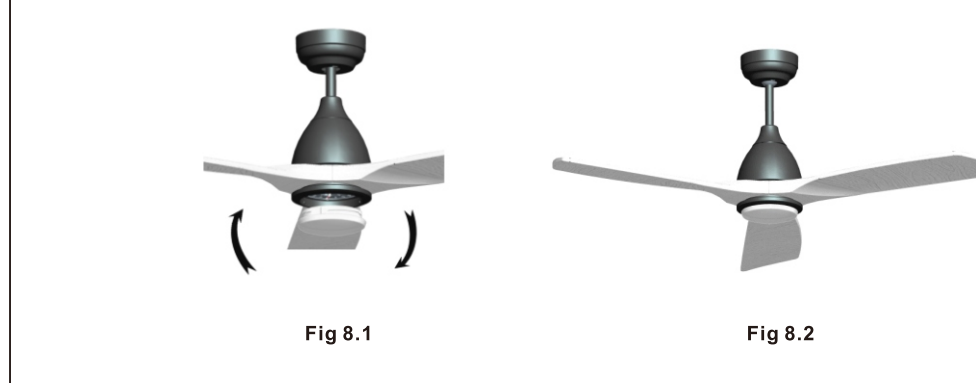
**B: The screws of mounting bracket are not exposed.** Make sure all wires are tucked in the canopy. Raise the canopy to the mounting bracket, align the two screws into the slot inside the canopy, rotate and twist the canopy to lock into place according to the direction symbol/arrow.



### Installing the Light Shade

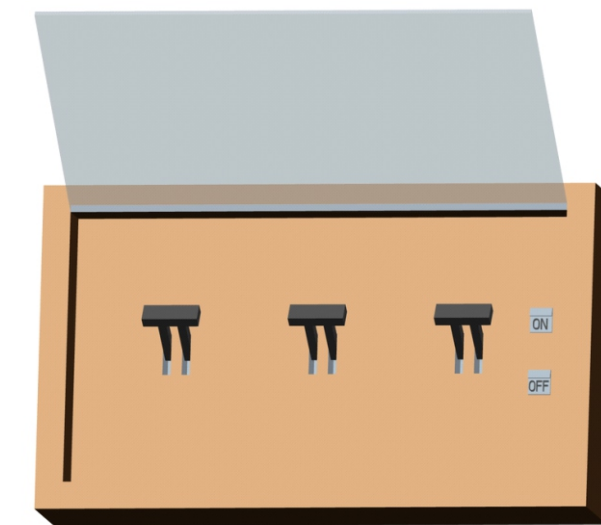
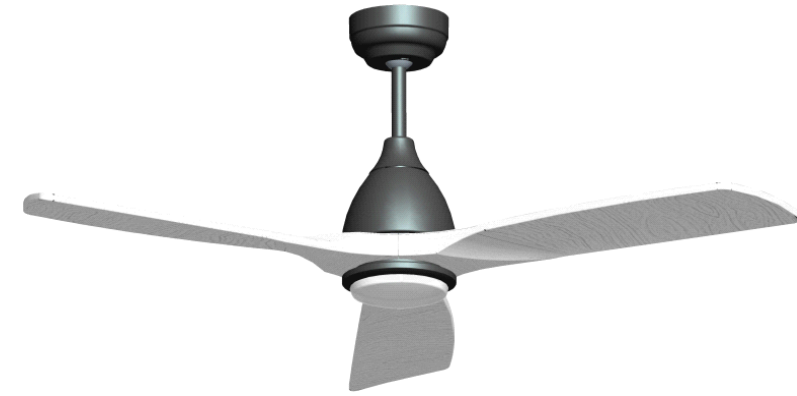
Align the light shade slot with the slot of light kit pan, and turn it clockwise to lock it tightly. (See Fig 8.1) The light shade installed. (See Fig 8.2)

**WARNING:** To prevent SERIOUS INJURY or DEATH, make sure that light shade is properly secured. Allow the light shade to cool completely before removing.



### Power on

Installation is now complete. Turn on the power switch then observe whether the fan light is on. Test and pair your fan immediately using the remote control.

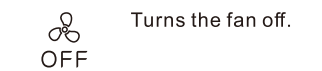


### Remote Control Operating Instructions:

#### Pairing the Remote Control to Your Fan

Power on the fan and pair the remote to the fan within 1 min. To pair remote to fan, press and hold button for 3 secs to pair remote to the fan. Successful pairing will trigger the fan light off.

#### Remote Control button definitions



Turns the fan off.



Switches between summer mode and winter mode. Summer mode - (Counter-clockwise) A downward airflow creates a cooling effect. Winter mode - (Clockwise) An upward airflow moves warm air away from the ceiling area and redistributes it around the living space.



Turns the fan on and decreases fan speed.



Turns the fan on and Increases fan speed.



Switches the fan speed between nature mode and normal mode. Simulates a natural breeze, gentle enough not to disturb while you sleep.



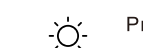
Turns the lights on or off and RF pairing. **Note:** Power on the fan and pair the remote to the fan within 1 min. To pair remote to fan, press and hold button for 3 secs to pair remote to the fan. Successful pairing will trigger the fan light off.



Switches between warm light and cool light. WIFI Troubleshooting. **Note:** Press/hold button for 5 sec. The fan will switch to AP Mode, then select AP Mode on APP, follow the APP control instructions and enable fan Wi-Fi.



Press/Hold button to decrease the light intensity.



Press/Hold to button to increase the light intensity.

**Warning: Do not expose the remote control to direct contact of water.**

### APP Control Connection:

1. First download the free Carro Home app from the App Store or Google Play or scan the QR Code as below.

**Note:** This ceiling fan needs to use 2.4Ghz wifi to work when you connecting the device, and after connecting it can use the 5Ghz or 2.4Ghz.



2. Open the Carro Home app to create your account. The account with "Carro Home" can be registered through E-mail or Mobile phone.

3. Connect the device to the Carro Home app (Four ways connection):

#### 1 Bluetooth connect (WIFI & Bluetooth on)

- Press "+" button into the device list, then a window will pop up to show you some devices can be connected.
- Click "Go to add" (If you click "Do not add" in mistake, please see "Do not add" steps).
- Choose the device.
- Connect to your home WIFI, then back to the app and wait for connecting.

#### "Do not add" steps:

- Select "Electrical"(smart switch) or "Air Circulation"(smart ceiling fan) on the sidebar menu then select "Ceiling Fan Switch" or "Ceiling Fan" and tap next.
- Connect to your home WIFI and tap "Next" to wait for connecting.

#### 2 Auto Scan (WIFI & Bluetooth on)

- Press "+" button into the device list.
- Tap "Auto Scan" on the top.
- Wait for the device comes out and tap "Next".
- Press "+" button to add device.
- Connect to your home WIFI.
- Wait for connecting.

#### 3 WIFI connect-EZ Mode (WIFI on & Bluetooth off)

- Press "+" button to select "Electrical"(smart switch) or "Air Circulation"(smart ceiling fan) on the sidebar menu then select "Ceiling Fan Switch" or "Ceiling Fan" and tap next.
- Connect to your home WIFI (Only for 2.4Ghz).
- EZ Mode is set as default, just tap "Next" button to wait for the connection to complete.

#### 4 WIFI connect-AP Mode (WIFI on & Bluetooth off)

- Smart ceiling fan: Press and hold the WIFI button on the remote for 5 seconds into AP Mode. Smart switch: Press and hold the "OFF" button for 10 seconds till the indicator light blinking slowly to into AP Mode.
- Press "+" button to select "Electrical"(smart switch) or "Air Circulation"(smart ceiling fan) on the sidebar menu then select "Ceiling Fan Switch" or "Ceiling Fan" and tap next.

- Connect to your home WIFI (Only for 2.4Ghz).
- Choose AP Mode.
- Press "Next" button to go to connect the fan's WIFI signal.
- Choose the fan's WIFI signal "CarroHome-XXXX" then back to the app.
- Wait for connecting.

4. Connect the device to the Alexa:

- Make sure you have connected the device to the app and working normally.
- Open Alexa app, go to the skill to search "Carro Home" skill.
- Link the skill, log in with your Carro Home app account and password, then authorize and connect with Carro Home app.
- Then the Alexa will find out the device automatically.

5. Connect the device to the Google Home

- Make sure you have connected the device to the app and working normally.
- Open Google Home app, Set up a device, choose "Works with Google".
- Search "Carro Home", log in with your Carro Home app account and password, then authorize and connect with Carro Home app.
- Then the Google Assistant will find out the device automatically.

6. Connect the device to the Siri shortcuts

- Make sure you have connected the device to the app and working in functional.
- Tap "Smart" on the main menu.
- Tap "+" button.
- Tap "launch Tap To Run".
- Tap "Run the device".
- Choose the device you want to control by Siri.
- Select the function you want to control by Siri.
- Then save it.
- Add to Siri, choose the scene you just made, Add to Siri.
- Enter the sentence you want to say to make the device works, Add to Siri.

### Basic product parameters:

Model	CES483N3L	Voltage	120V
Fan Blade Span	48"	Rated Wattage	41W(Fan 26W Lamp 15W)
Gross weight	16.5lbs.	Rpm	65-230rpm
Maximum Airflow	4200CFM	Maximum Noise	58dB(A)

### Care and cleaning:

- Check the support connections, brackets, and airfoil attachments twice a year. Make sure they are secure. Because of the fan's natural movement, some connections may become loose over time. It is not necessary to remove the fan from the ceiling.
- Clean your fan periodically. Use only a soft brush or lint-free cloth to avoid scratching the finish. The plating is sealed with a lacquer to minimize discoloration or tarnishing.
- (Optional) Apply a light coat of furniture polish to the wood blades.
- (Optional) Cover small scratches with a light application of shoe polish.

#### Do not:

- Use water when cleaning. Water could damage the motor, or the wood, or possibly cause an electrical shock.
- Apply oil to your fan or motor. The motor has permanently lubricated sealed ball bearings.

**Note: Power off the fan before product maintenance or cleaning the fan.**

### FCC Statement:

**NOTE:**This equipment has been tested and found to comply with the limits for a Class B digital device, pursuant to part 15 of the FCC Rules. These limits are designed to provide reasonable protection against harmful interference in a residential installation. This equipment generates, uses and can radiate radio frequency energy and, if not installed and used in accordance with the instructions, may cause harmful interference to radio communications. However, there is no guarantee that interference will not occur in a particular installation. If this equipment does cause harmful interference to radio or television reception, which can be determined by turning the equipment off and on, the user is encouraged to try to correct the interference by one or more of the following measures:

- Reorient or relocate the receiving antenna.
- Increase the separation between the equipment and receiver.
- Connect the equipment into an outlet on a circuit different from that to which the receiver is connected.
- Consult the dealer or an experienced radio/TV technician for help.

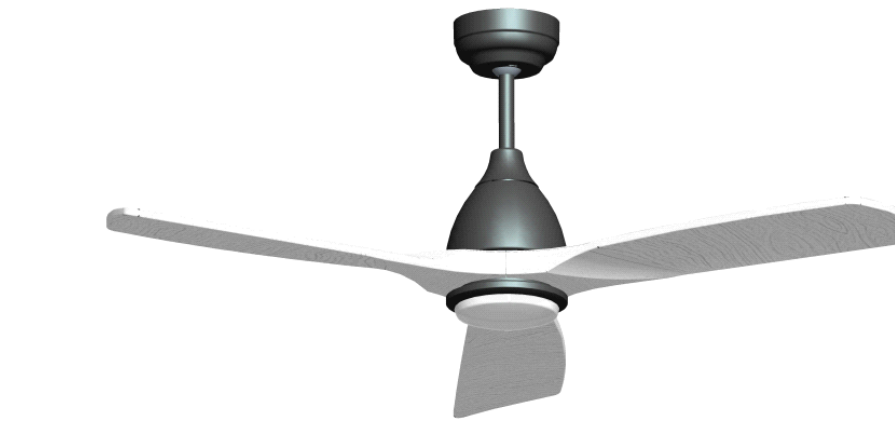
**WARNING:** Changes or modifications to this unit not expressly approved by the party responsible for compliance could void the user's authority to operate the equipment.

### Troubleshooting:

Try these troubleshooting steps before contacting the Customer Service. For additional operation, maintenance, and troubleshooting information, please contact our customer service center.

SYMPTOM	POSSIBLE SOLUTION
Fan not spinning	<ol style="list-style-type: none"> <li>Make sure the fan is getting power.</li> <li>Check your circuit breaker or fuse panel and wall switch for functionality.</li> <li>Fan wires are connecting with the house wires correctly.</li> <li>Remote control must be paired with the fan within 1 minute after the fan getting power.</li> <li>If you have paired the app but the fan still didn't work (light and fan both didn't work) or couldn't pair the app to the fan, try to reset the fan: to reset the fan, cut the power for 10 minutes, then turn the power on and press the pairing button  on the remote for 3 seconds till the fan lamp off, then pair the Carrohome app again.</li> <li>Use a multi-meter and test the adapter wiring harness to see if there is any electrical output.</li> <li>All the pin wiring on the circuit board are inserted tight and in the right position.</li> <li>Remote need to pair with the fan first.</li> <li>Make sure the fan blades spin freely.</li> <li>If you're using a wall control, check the power to the breaker from your control and try working your ceiling fan manually. (Normal switch only for the fan power on/off)</li> </ol>
Fan light not working	<ol style="list-style-type: none"> <li>Make sure LED wires are connected to the circuit board.</li> <li>Make sure the whole fan is powered.</li> <li>Remote need to pair with the fan first, correctly and in the retention slot.</li> </ol>
The fan is noisy and wobbling	<ol style="list-style-type: none"> <li>Check if the blade screws are NOT rubbing against the round plastic part of the motor.</li> <li>Check the pin wire are NOT connected against the moving part.</li> <li>Check the down fan cup is NOT hitting the motor.</li> <li>Confirm the canopy is NOT touching the ceiling while the fan is in operation.</li> <li>Check the down rod is NOT slanted.</li> <li>Tighten any loose screws on the light kit, fan blades, motor coupling, down rod, brackets and mounting hardware.</li> <li>Confirm the hanger ball is firmly seated in the mounting bracket.</li> <li>The ceiling beam must meet the minimum tensile test strength of 30KG for installation.</li> <li>Make sure the airfoils and brackets are NOT bent or deformed.</li> <li>Verify the wire connections are not rattling against each other.</li> <li>Verify the fan blades are not cracked. If the fan blades are cracked, replace the damaged blades with a new blade set from the same brand as your ceiling fan to ensure compatibility.</li> <li>The light kit is NOT slanting and hitting the motor.</li> </ol>
Unable to pair remote and app	<ol style="list-style-type: none"> <li>Check if the wires are connected in the right position or not.</li> <li>Check the batteries in the remote.</li> <li>Disconnect the power for 10 minutes, reconnect the power and pair the remote with the fan immediately, within 3 seconds. Also try pairing the App to reconnect.</li> <li>The WiFi must be 2.4Ghz, incompatible with 5Ghz WiFi or combine with 5Ghz.</li> <li>App must in the new version.</li> <li>Connect with correct app "Carro Home"</li> </ol>
Fan or light turning on or off by themselves	<ol style="list-style-type: none"> <li>Confirm the circuit breaker is not malfunctioning.</li> <li>Verify the wire connections are not frayed.</li> <li>Check the app is not set the timer or schedule</li> <li>Cut the fan power for 10 minutes then power on again.</li> <li>All the pins wiring on the circuit board are inserted tight and in the right position.</li> </ol>

Carro USA Inc.  
1431 S. Baker Ave. Ontario CA 91761  
Tel: 888-253-2374  
www.carrohome.com | cs@carrohome.com



ITEM: CES483N3L

Technical Parameter: AC 120V 60Hz

CARRO  
SMART FANS | LIGHTING

**SMART CEILING FAN INSTALLATION GUIDE**  
Please read and follow all the Instructions carefully before using this product  
The product image shown here is indicative only.  
Actual product you receive may differ.