

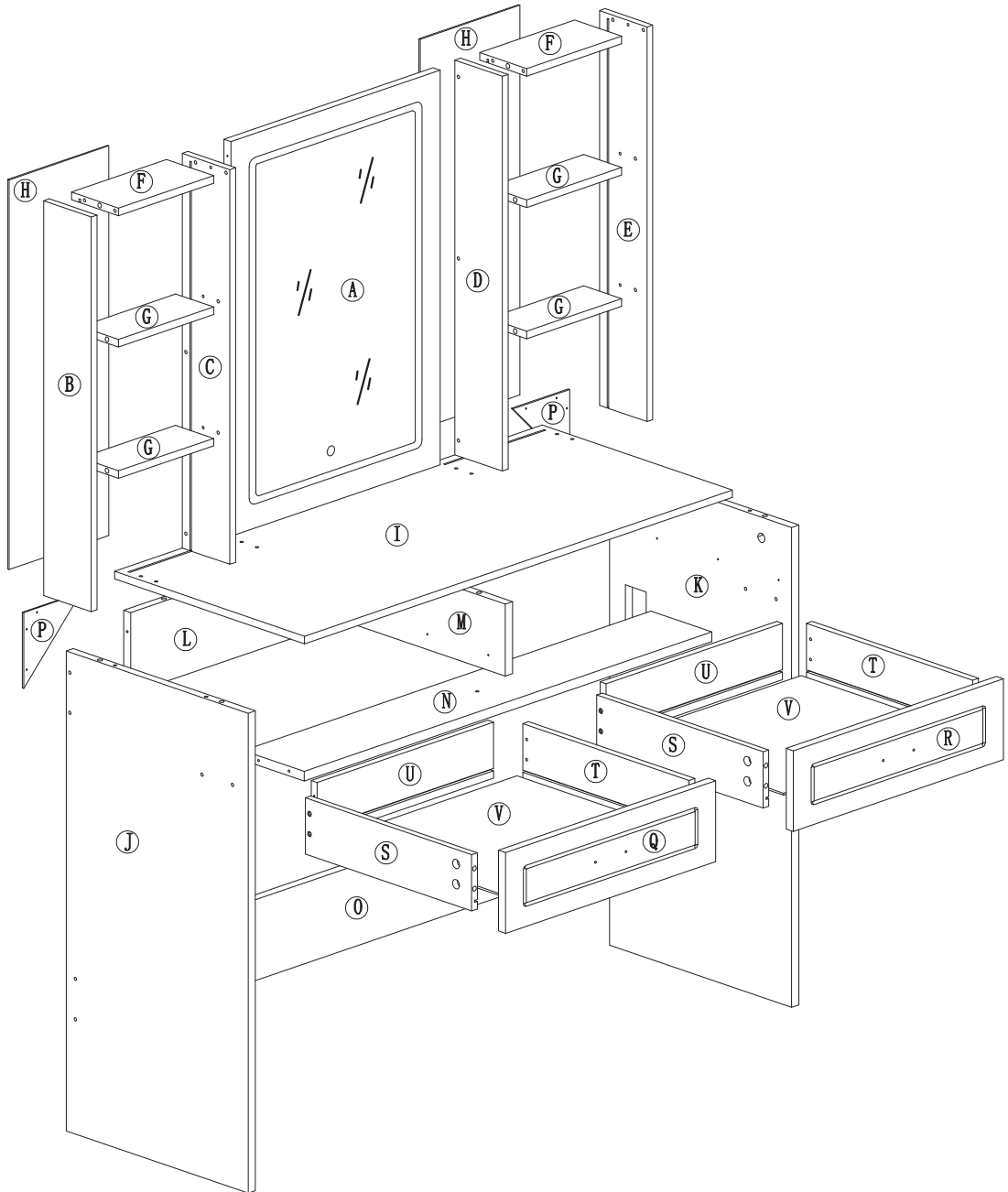
VANITY DESK

USER MANUAL

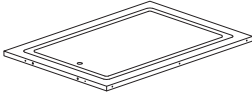
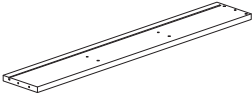
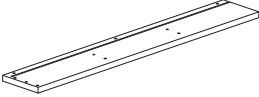
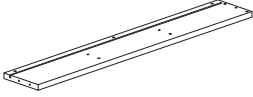
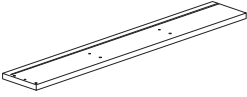
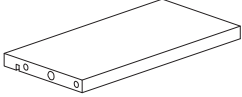
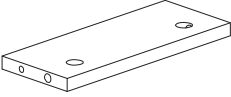

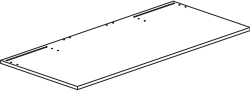
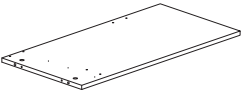
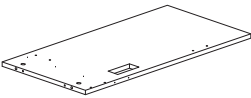
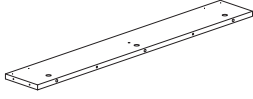
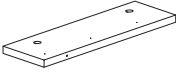
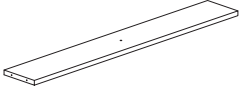
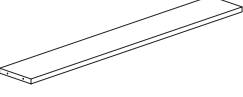
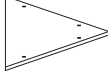
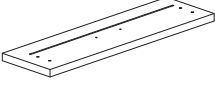
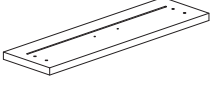



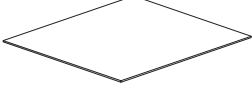
MODEL: SKUK45855

1

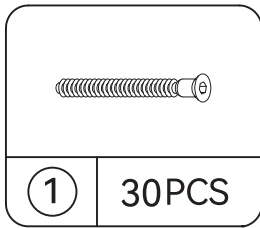
ASSEMBLY INSTRUCTIONS



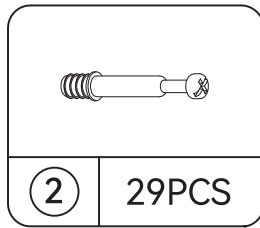
PARTS LIST

			
(A) *1PC	(B) *1PC	(C) *1PC	(D) *1PC
			
(E) *1PC	(F) *2PCS	(G) *4PCS	(H) *2PCS
			
(I) *1PC	(J) *1PC	(K) *1PC	(L) *1PC
			
(M) *1PC	(N) *1PC	(O) *1PC	(P) *2PCS
			
(Q) *1PC	(R) *1PC	(S) *2PCS	(T) *2PCS
			
(U) *2PCS	(V) *2PCS		

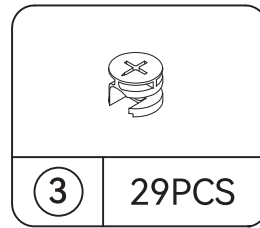
3



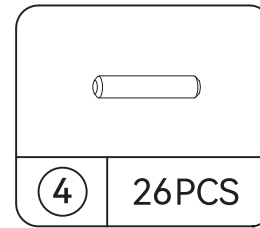
M5*50



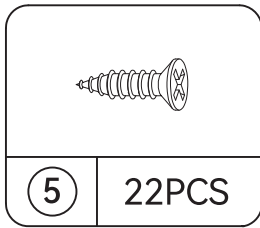
Ø6*40



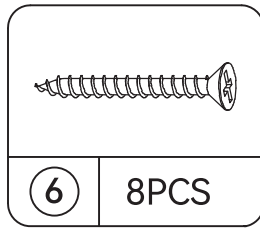
Ø15*10



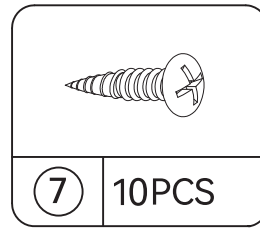
Ø6*30



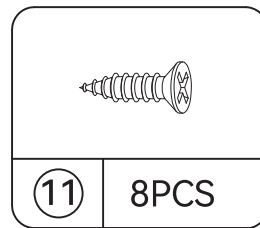
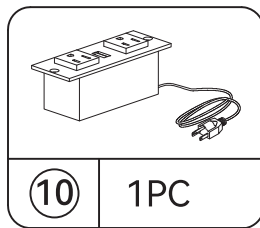
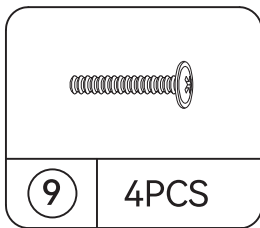
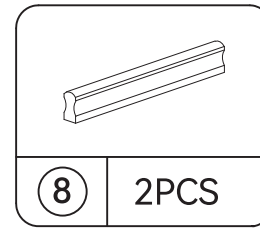
Ø3.5*14



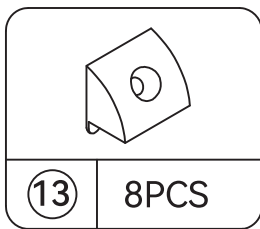
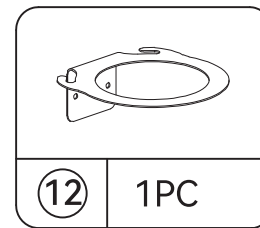
M4*35



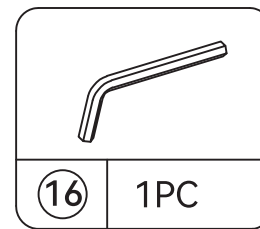
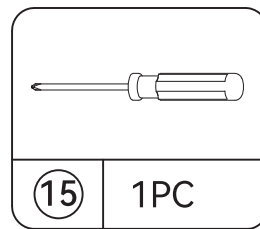
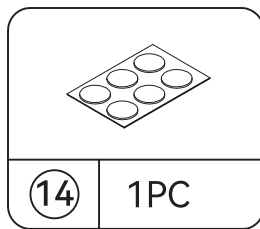
Ø4*14



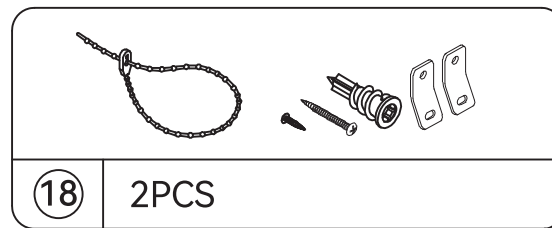
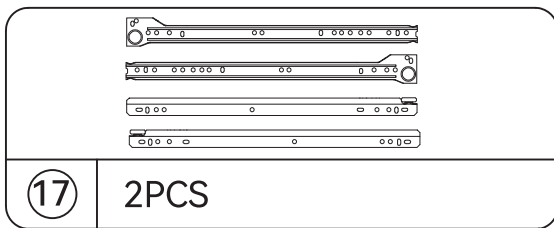
M3*16



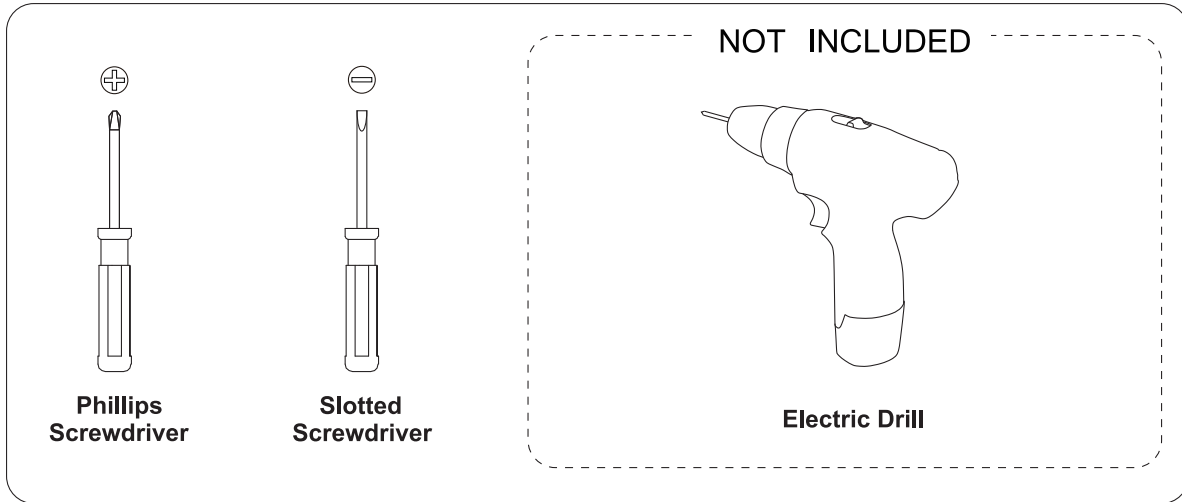
14*14*8.5



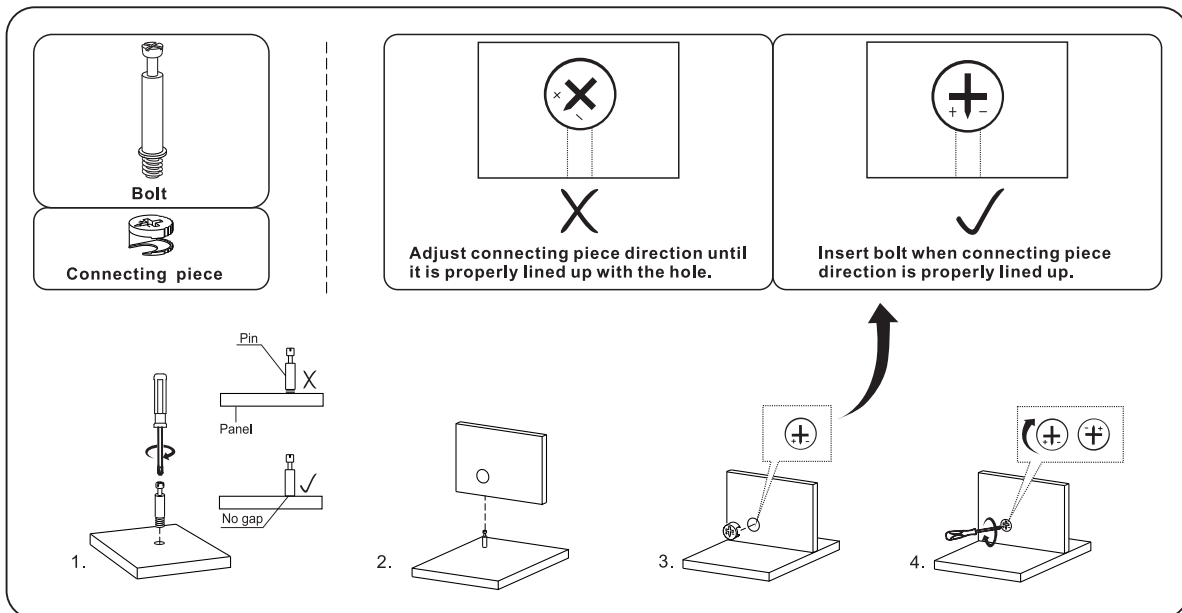
3mm

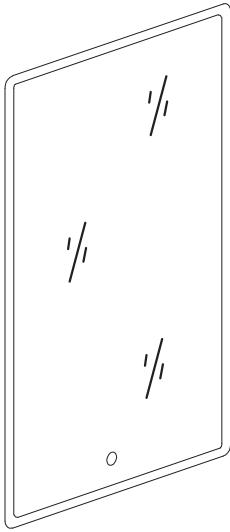


TOOL REQUIRED



INTRODUCTION





Please power on and inspect the mirror before assembly to ensure it operates normally. Begin assembly only after confirming its proper functionality.

BUTTON FUNCTION DESCRIPTION

1.Backlight: The backlight of the button displays a white light when on standby. When activated, it displays a blue light.

2.Switch: Press the button to turn on the LED light. When the LED light is on, press the button within 10 seconds to cycle through (white-warm-dual color-off) color temperatures. If no operation is performed for over 10 seconds in any color temperature mode, pressing the button again will turn off the LED light.

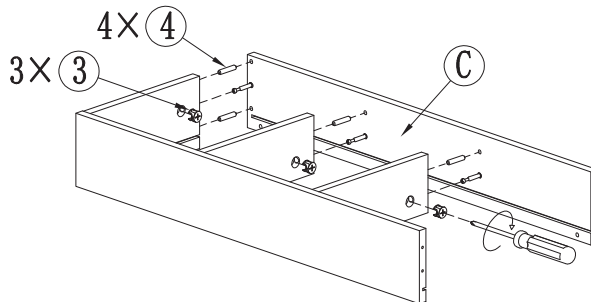
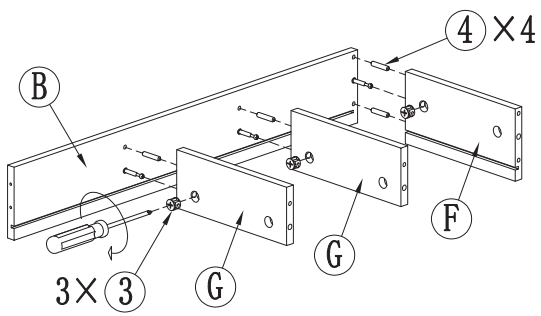
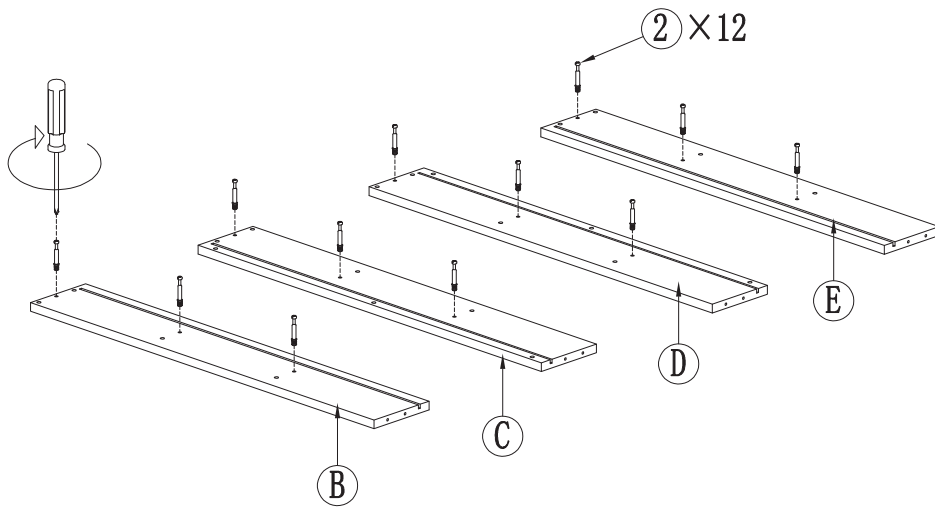
3.Infinite dimming: When the LED light is on, you can hold the switch button for 3 seconds under any light color, which will control the LED light to go from brightest to dimmest. Holding the switch button for 3 seconds again will control the LED light to go from dimmest to brightest.

4.Memory function: After the LED light is turned off in any brightness and color temperature, when turned on again, it will return to the previous color temperature and brightness state.

5.Sleep: When on standby, holding the button can turn off the backlight of the button. Press it again to wake up and turn on the backlight, along with the LED light.

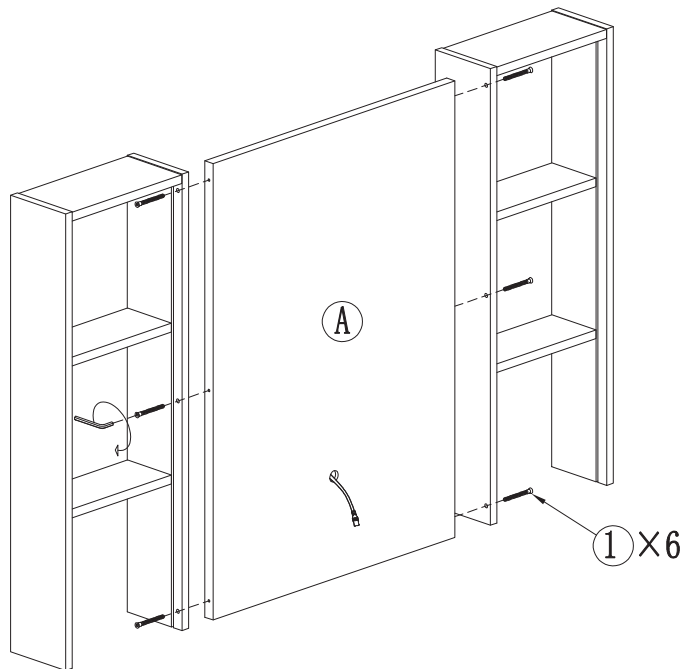
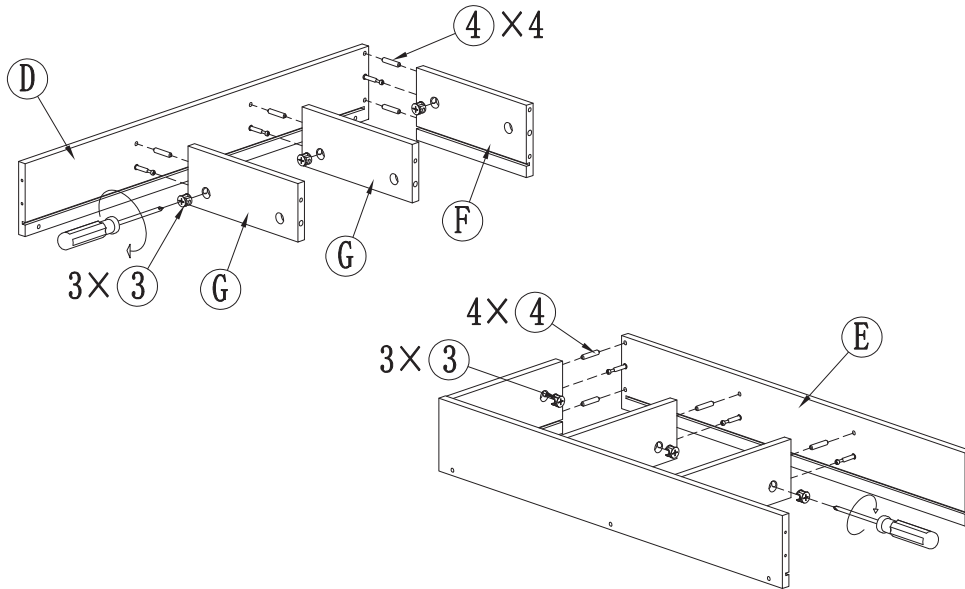
6

STEP 1



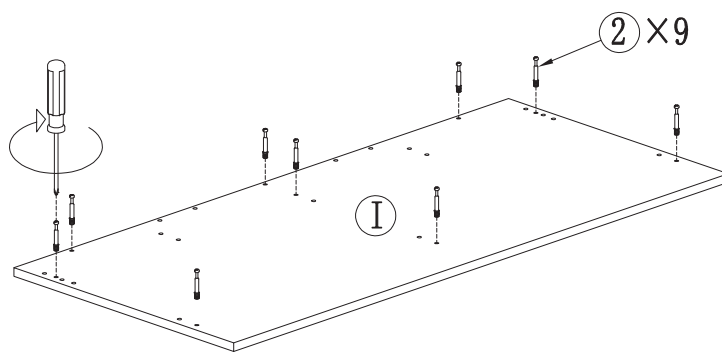
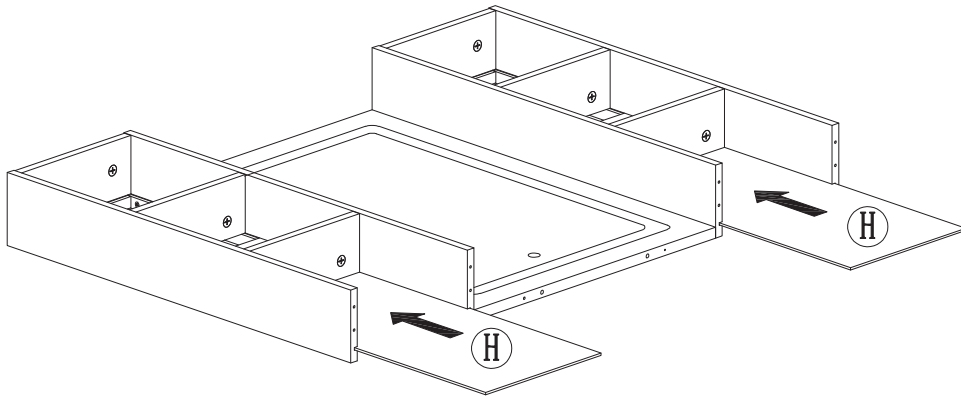
7

STEP 2



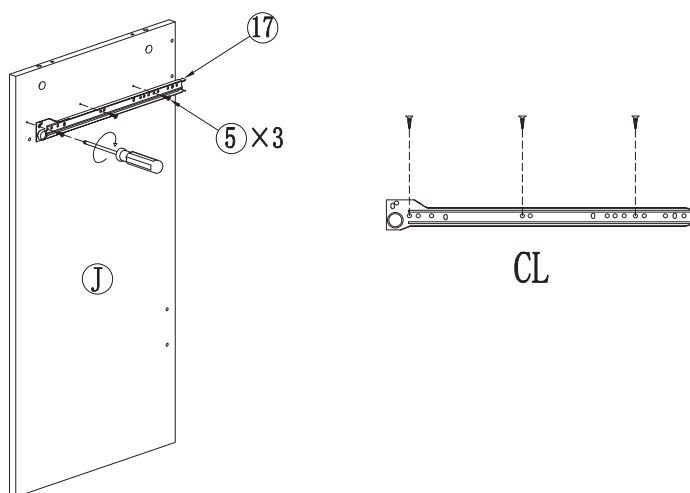
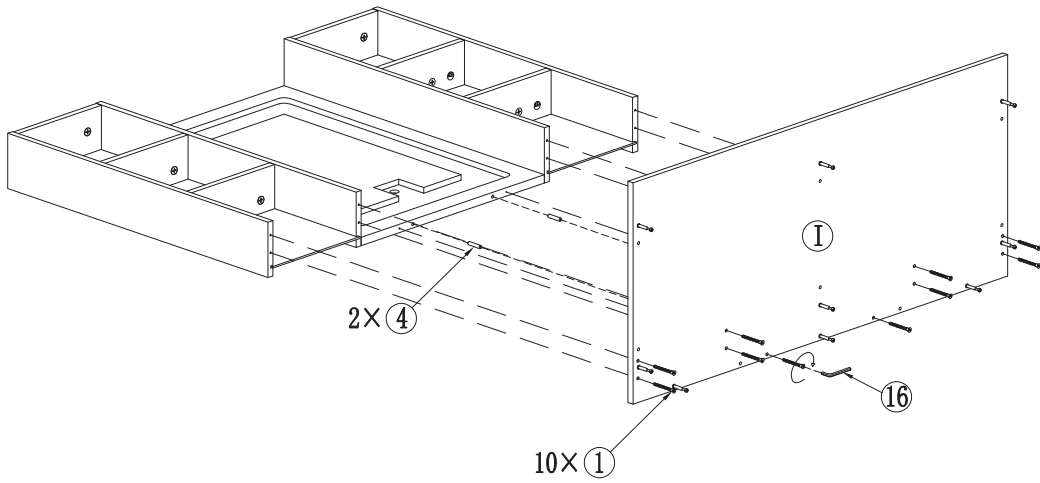
8

STEP 3

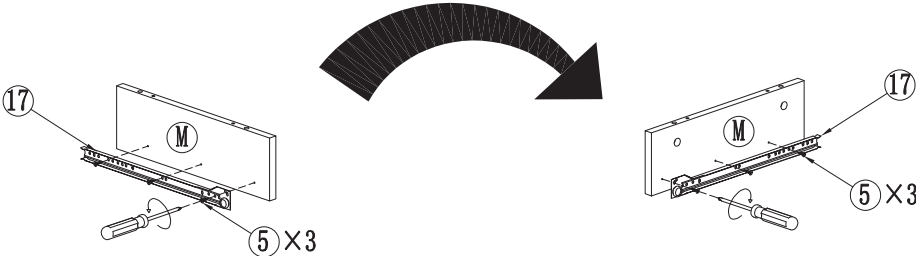
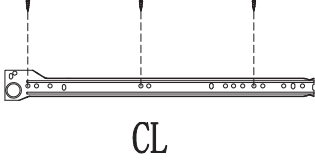
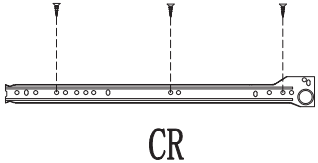
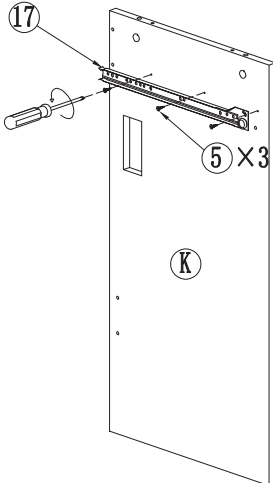
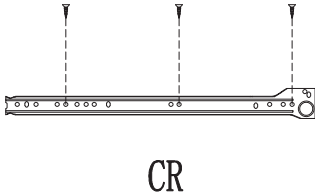


9

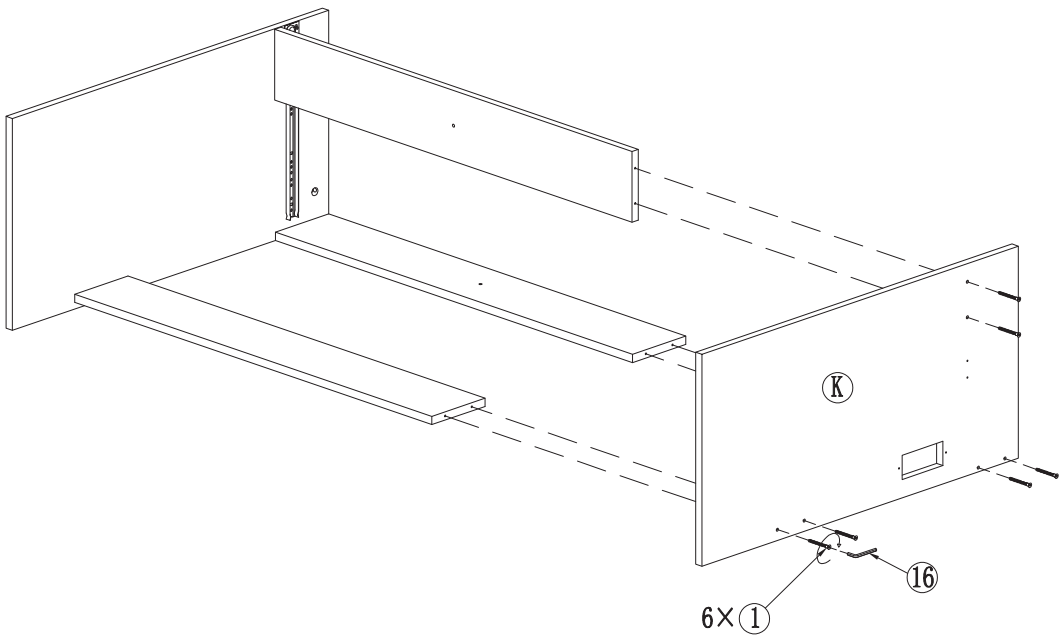
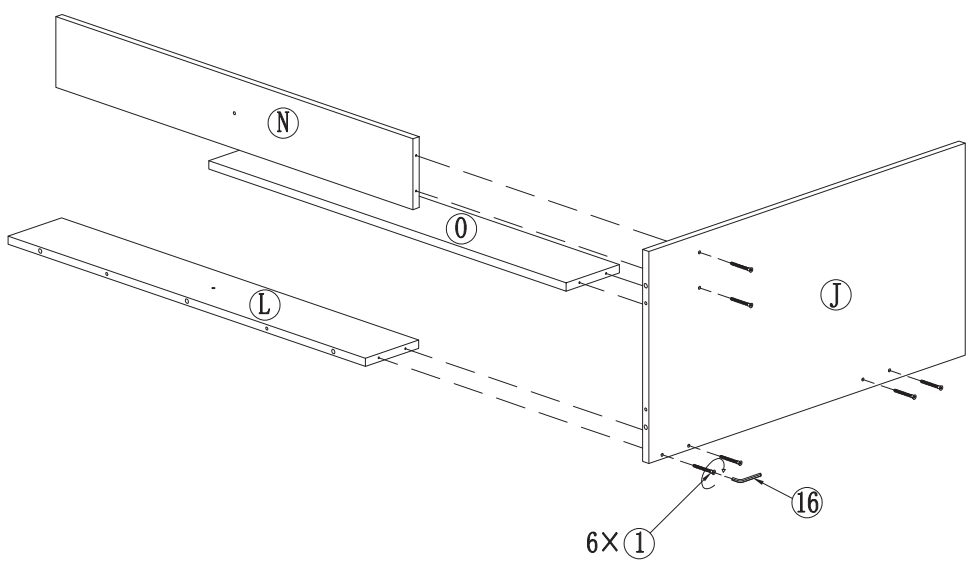
STEP 4



STEP 5

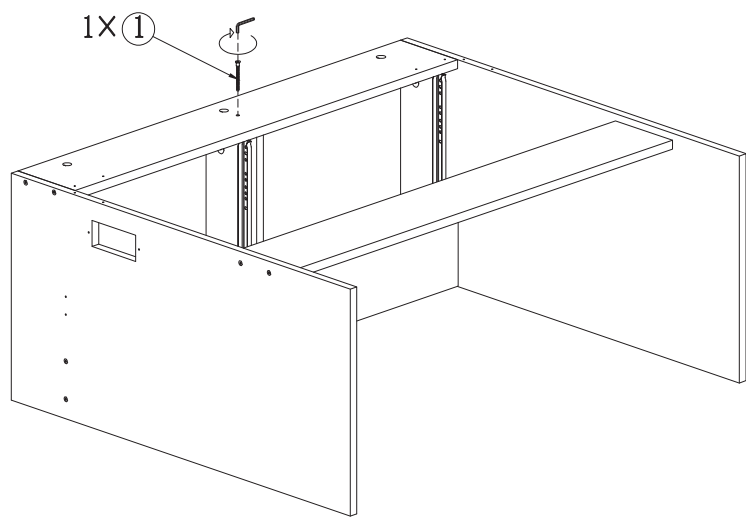
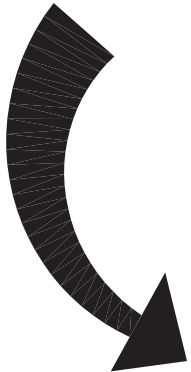
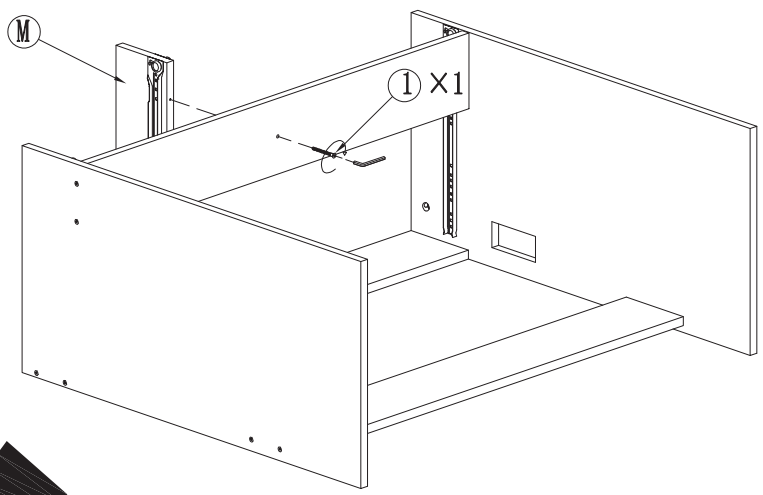


STEP 6



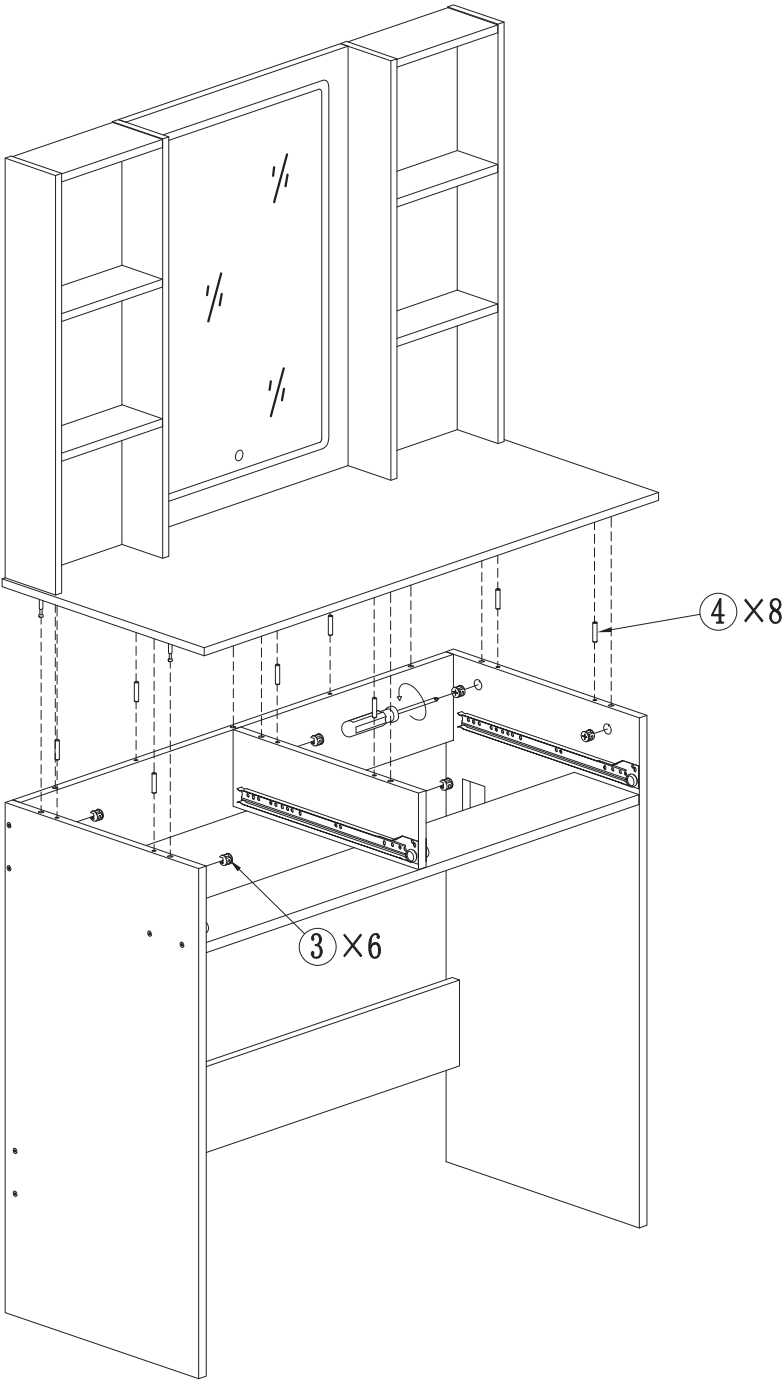
12

STEP 7



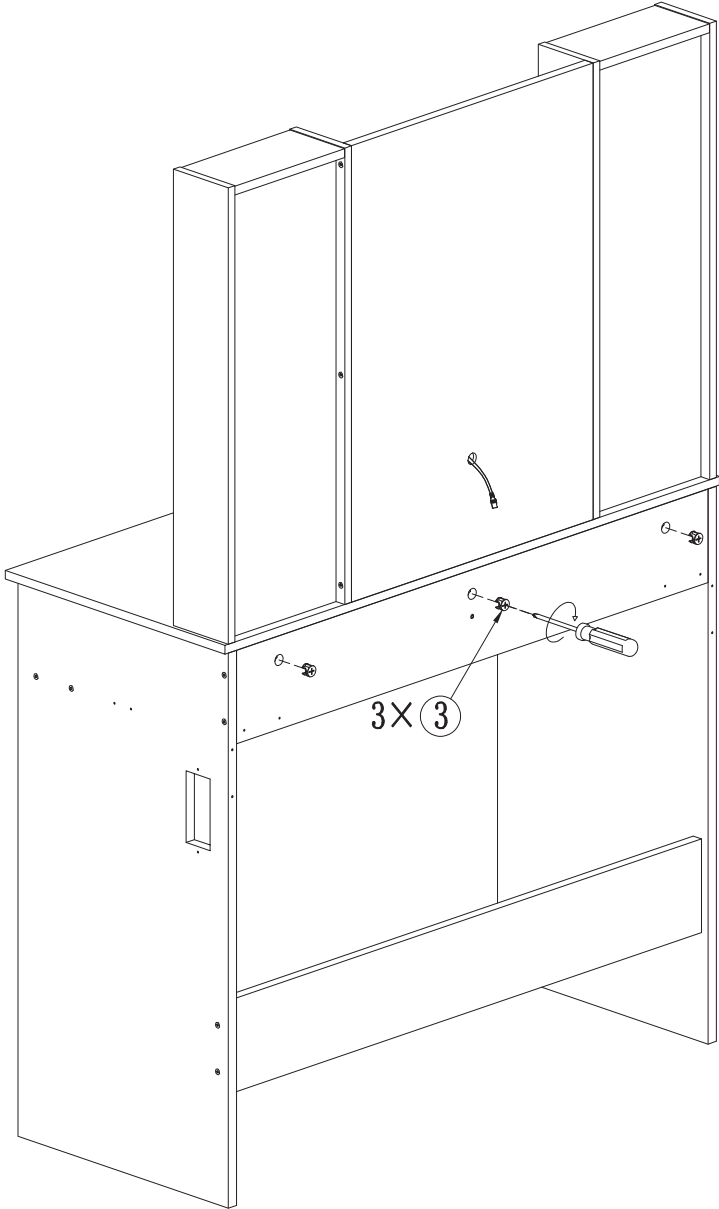
13

STEP 8



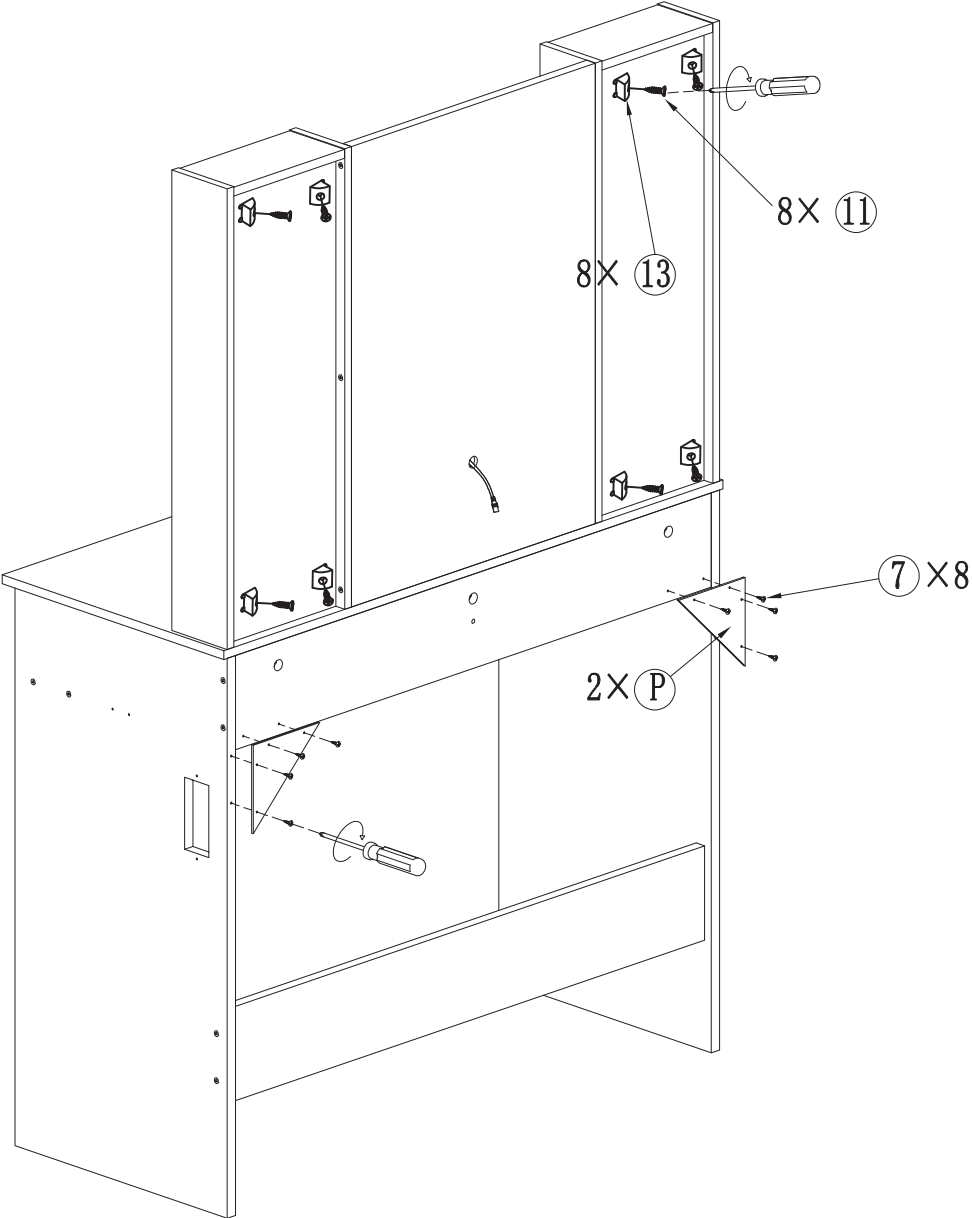
14

STEP 9

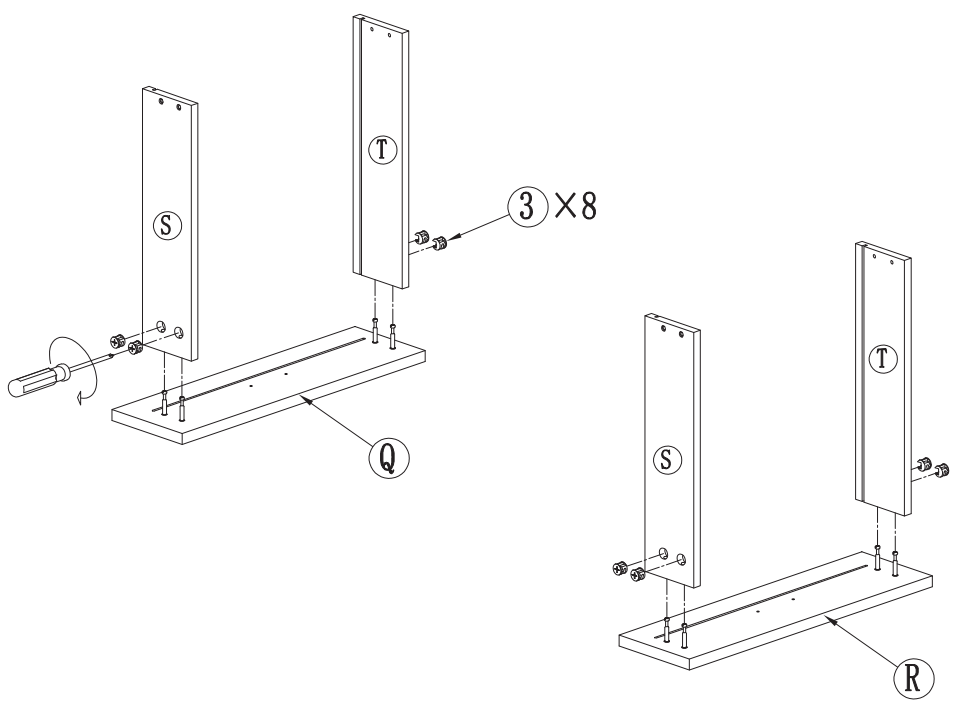
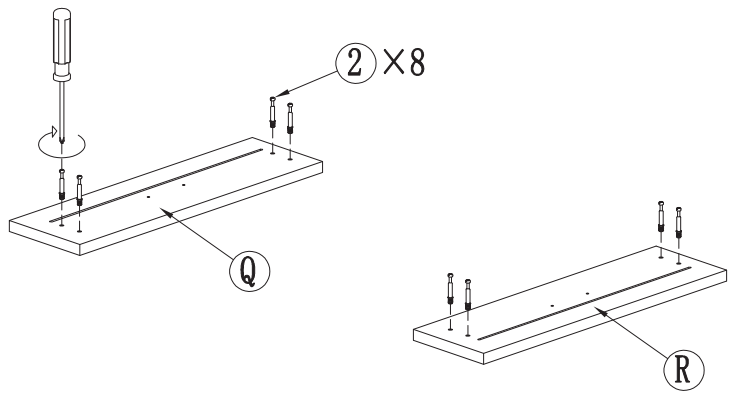


15

STEP 10

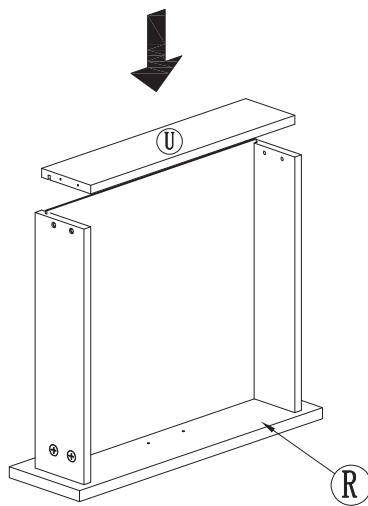
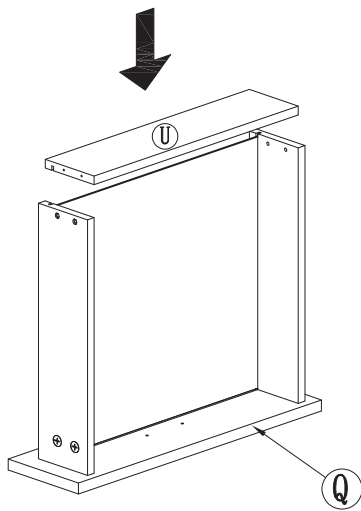
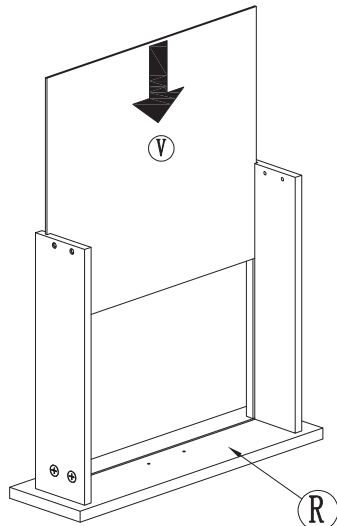
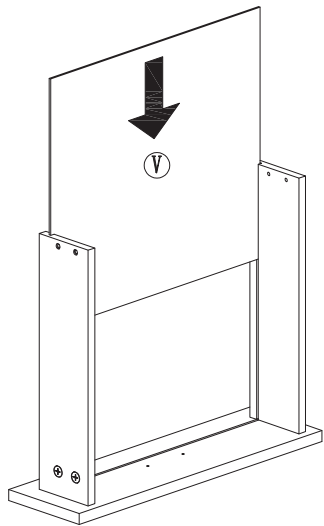


STEP 11

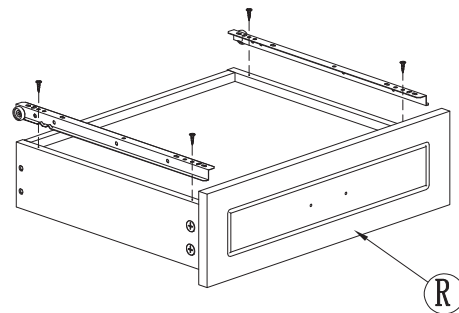
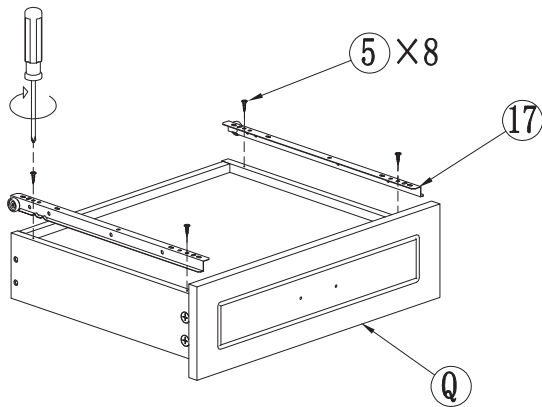
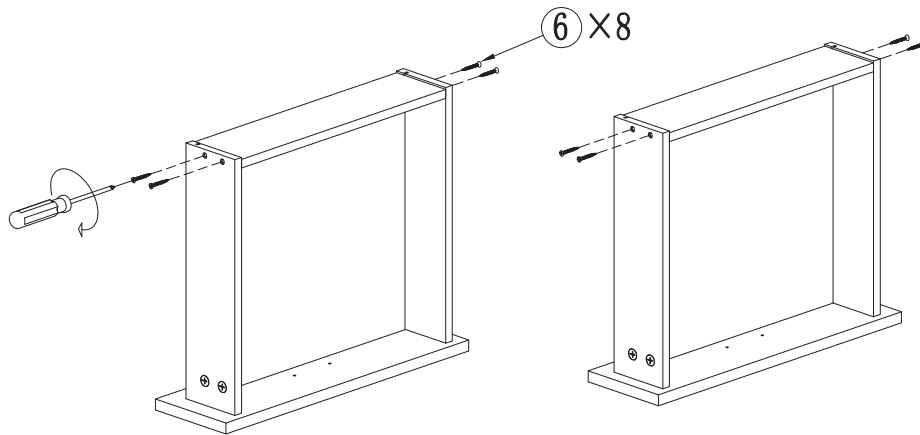


17

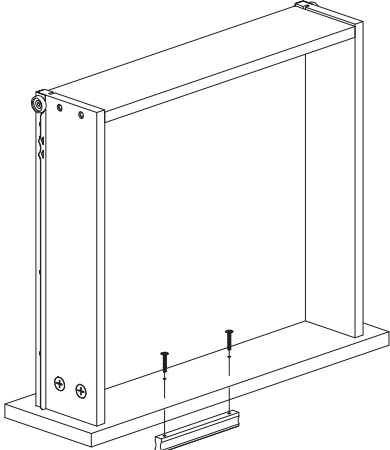
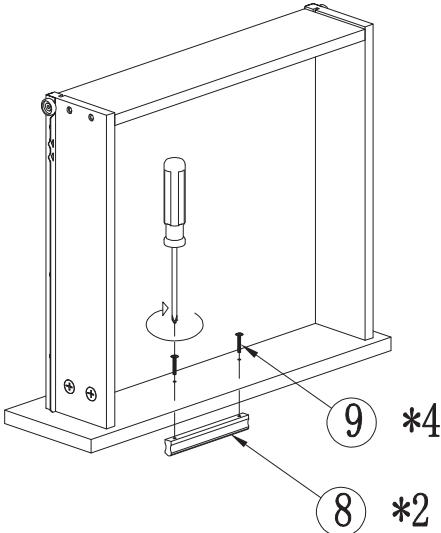
STEP 12



STEP 13

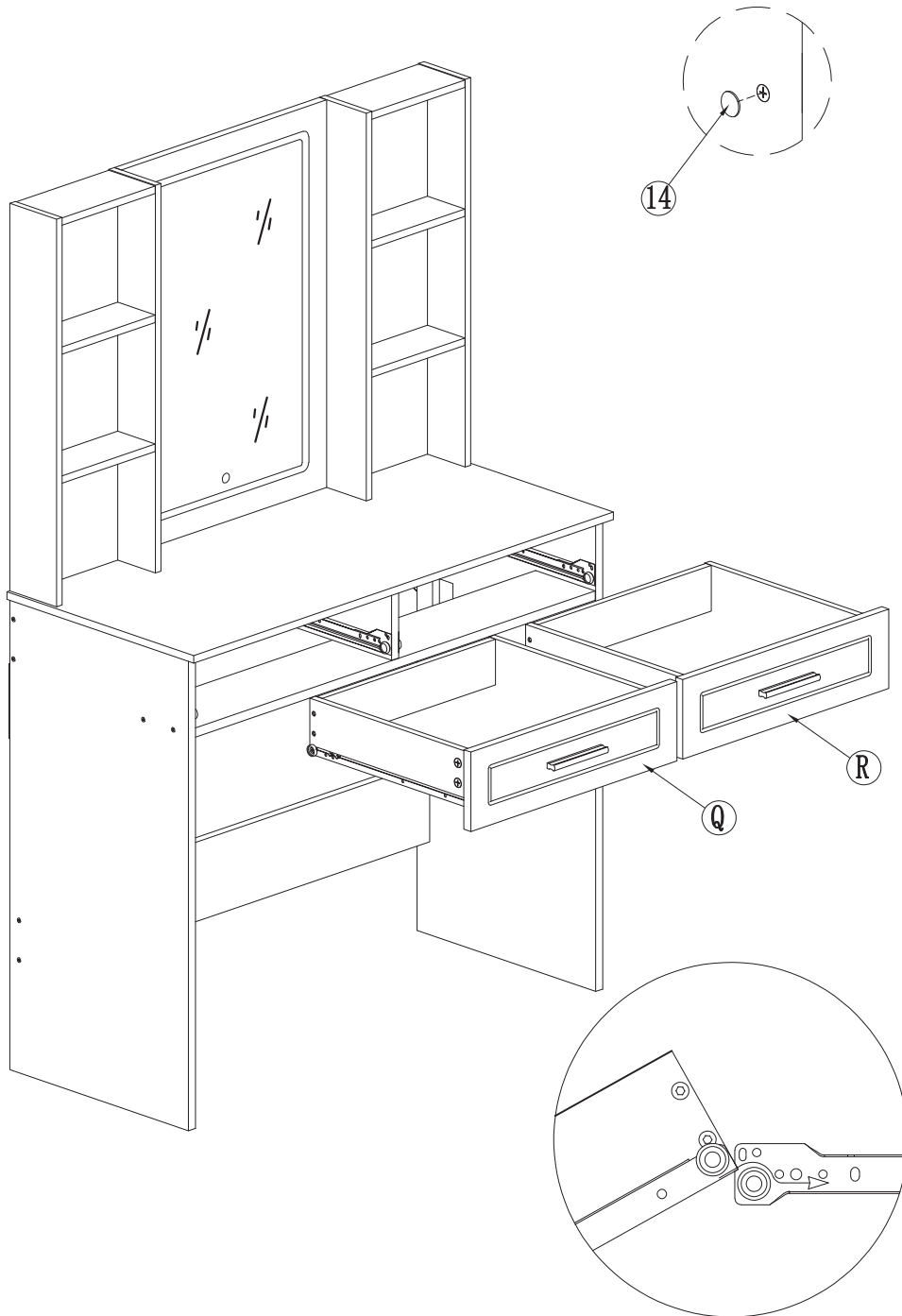


STEP 14



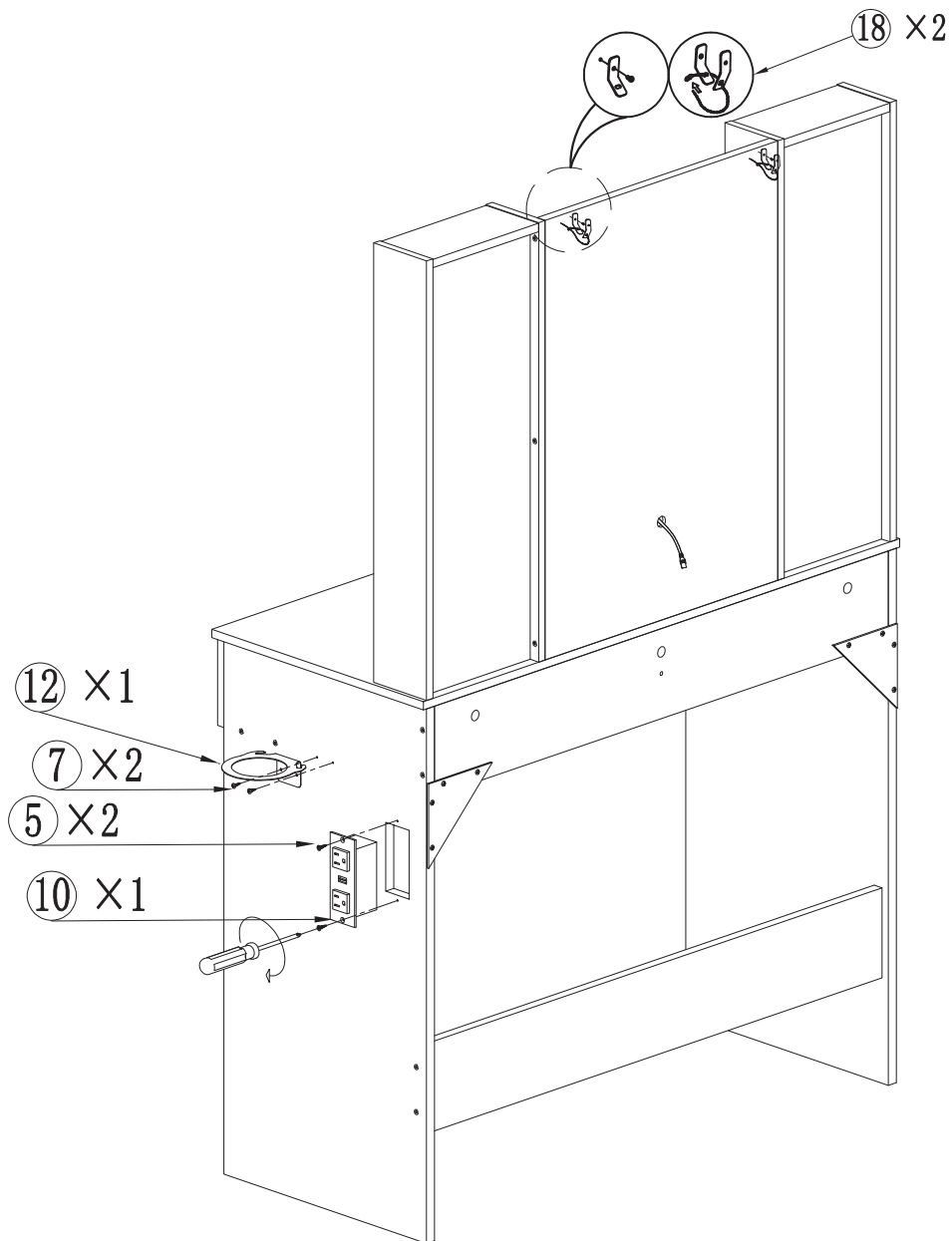
20

STEP 15



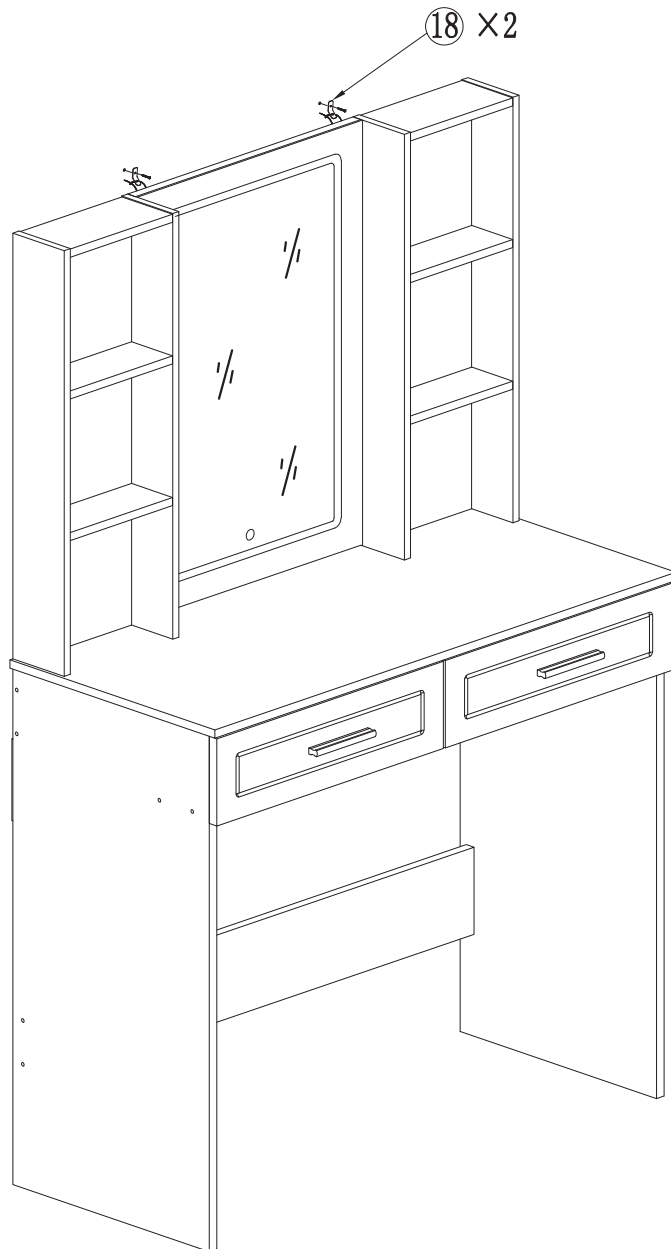
21

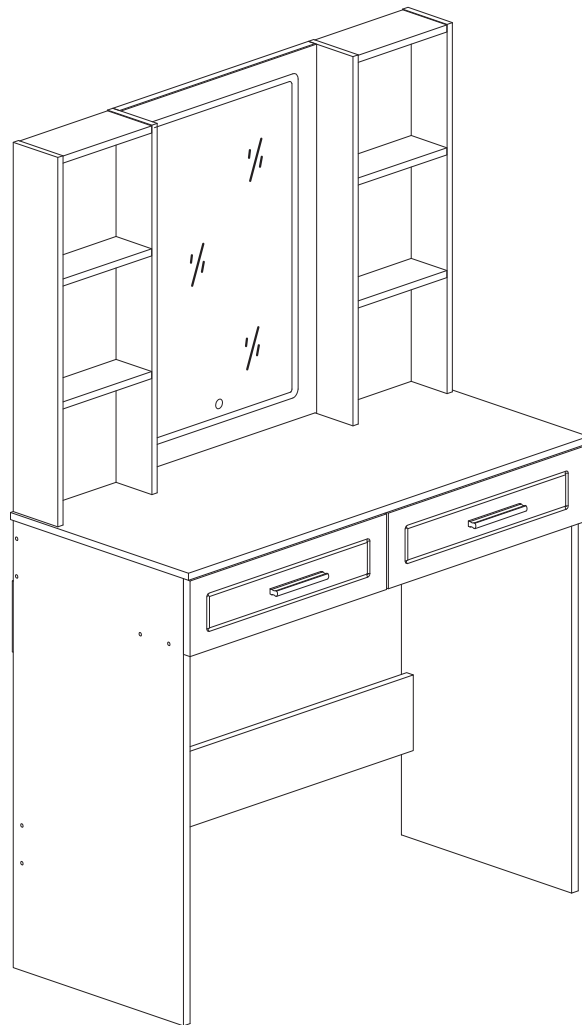
STEP 16



22

STEP 17





WARRANTY & SUPPORT

Thanks for purchasing our product. For any advice about the product or wanna know other products . Please visit [Amazon](#).

Your purchase and support will be our driving force!

MADE IN CHINA