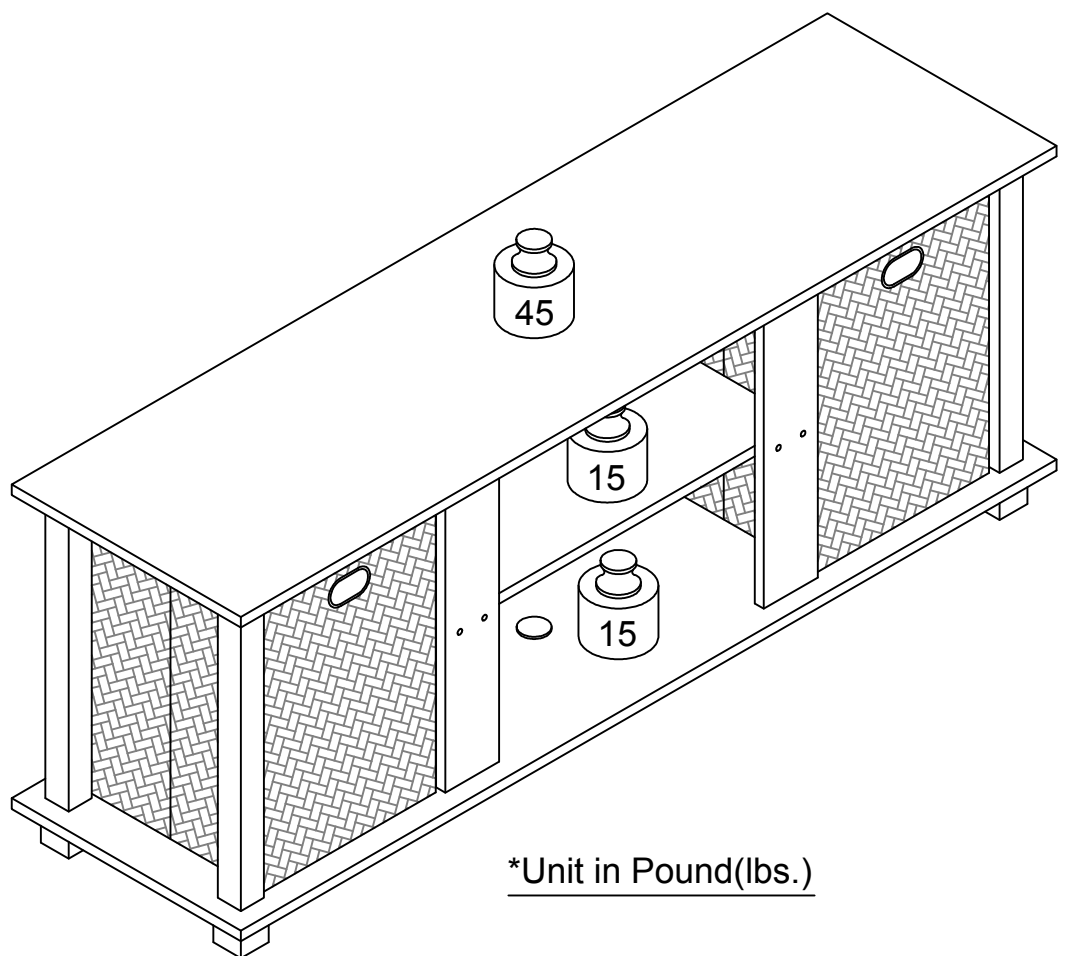


Recommended Maximum Weight



*Unit in Pound(lbs.)

WARNING:

- >This unit has been designed to support the maximum loads shown. Exceeding these load limits could cause sagging, instability, product collapse, and/or serious injury.
- >DO NOT allow children to climb on unit.
- > Put heavier items on lower shelves.

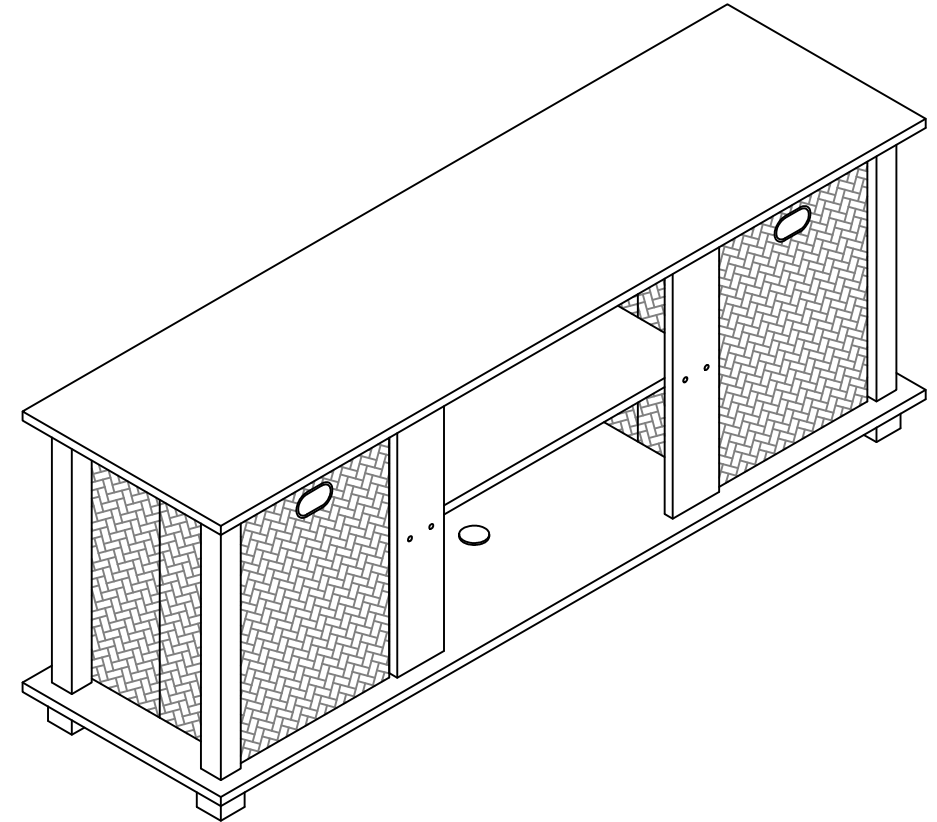
Assembly Instruction

00:30

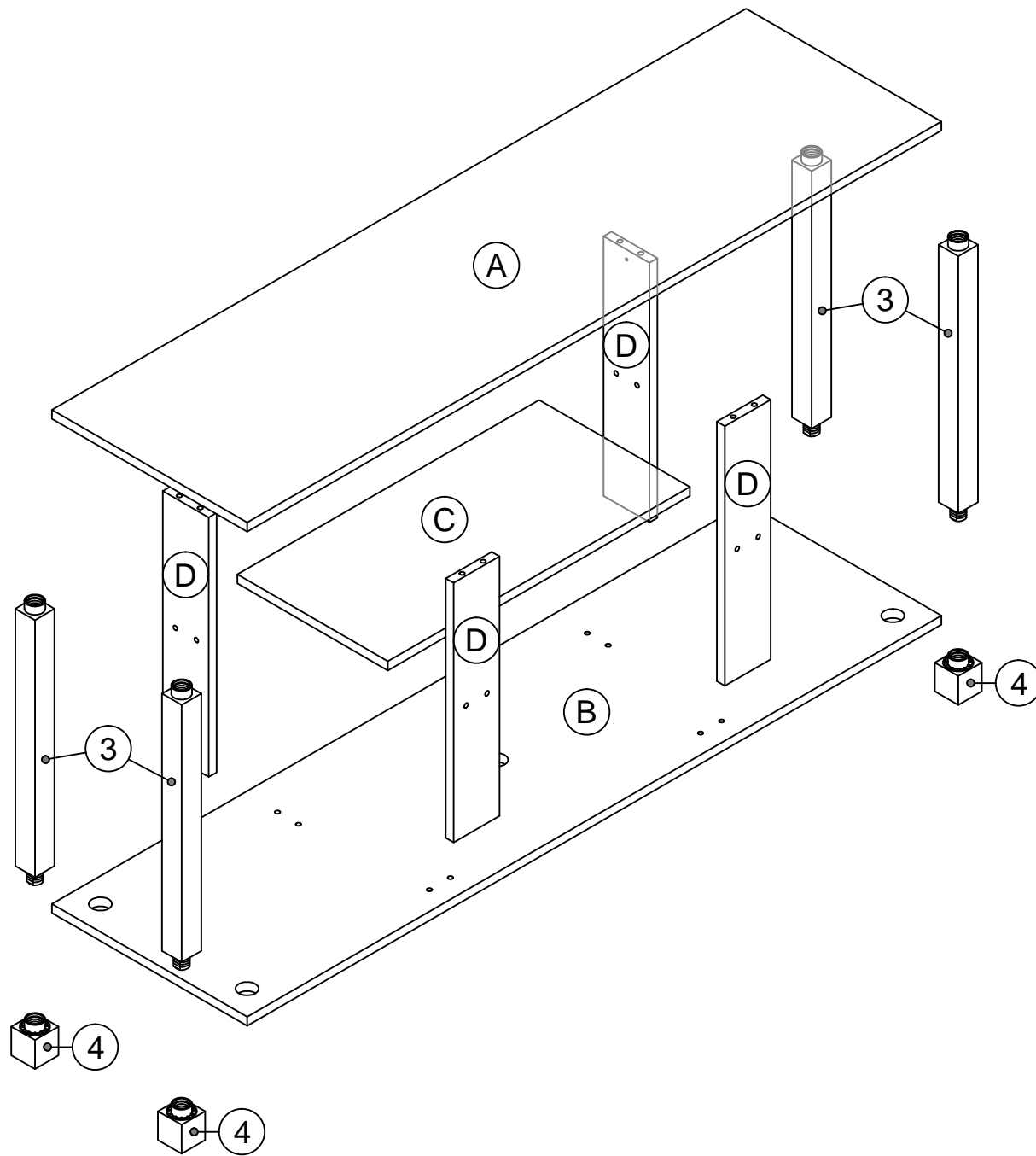
Approx. 30 minutes

Recomm. 1 Person

Tool Required



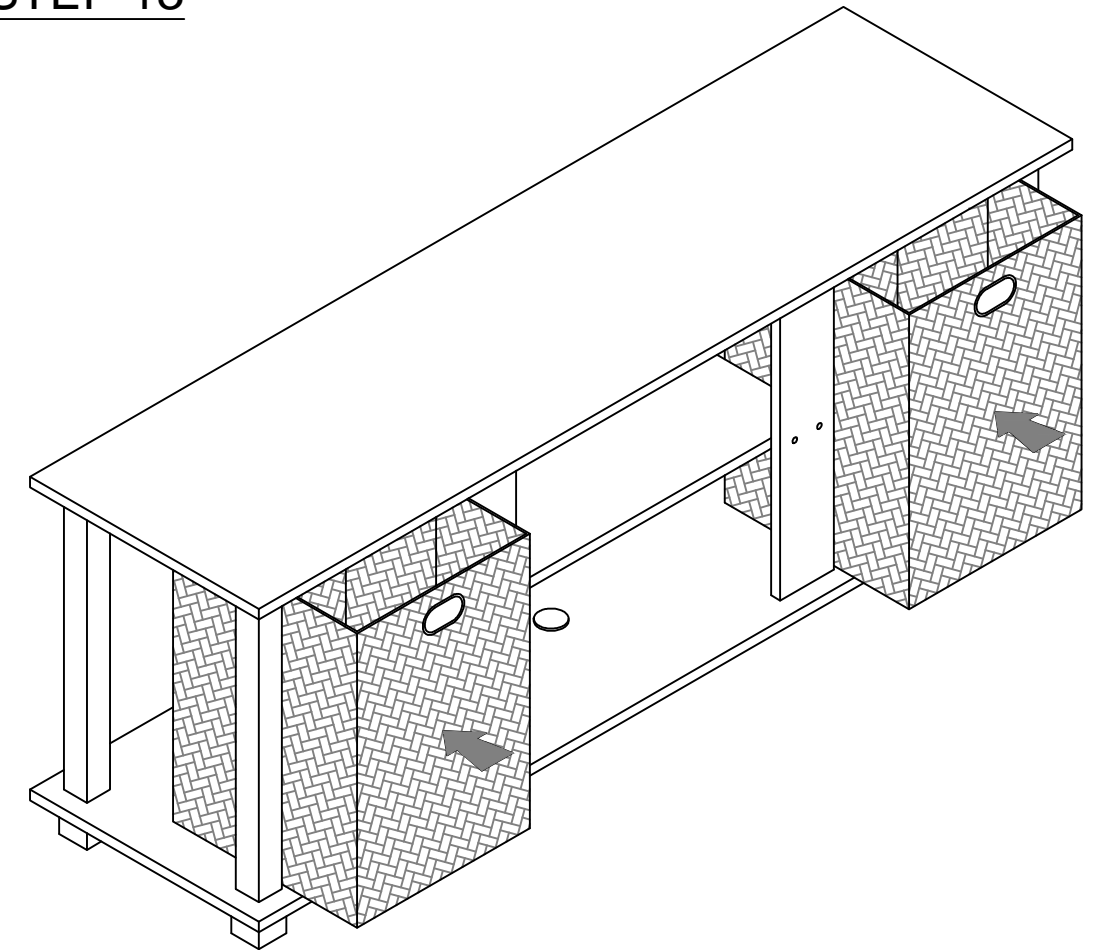
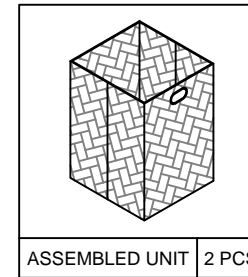
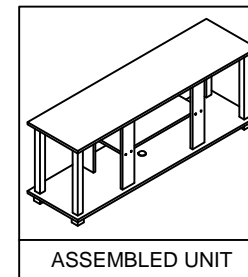
EXPLODED VIEW



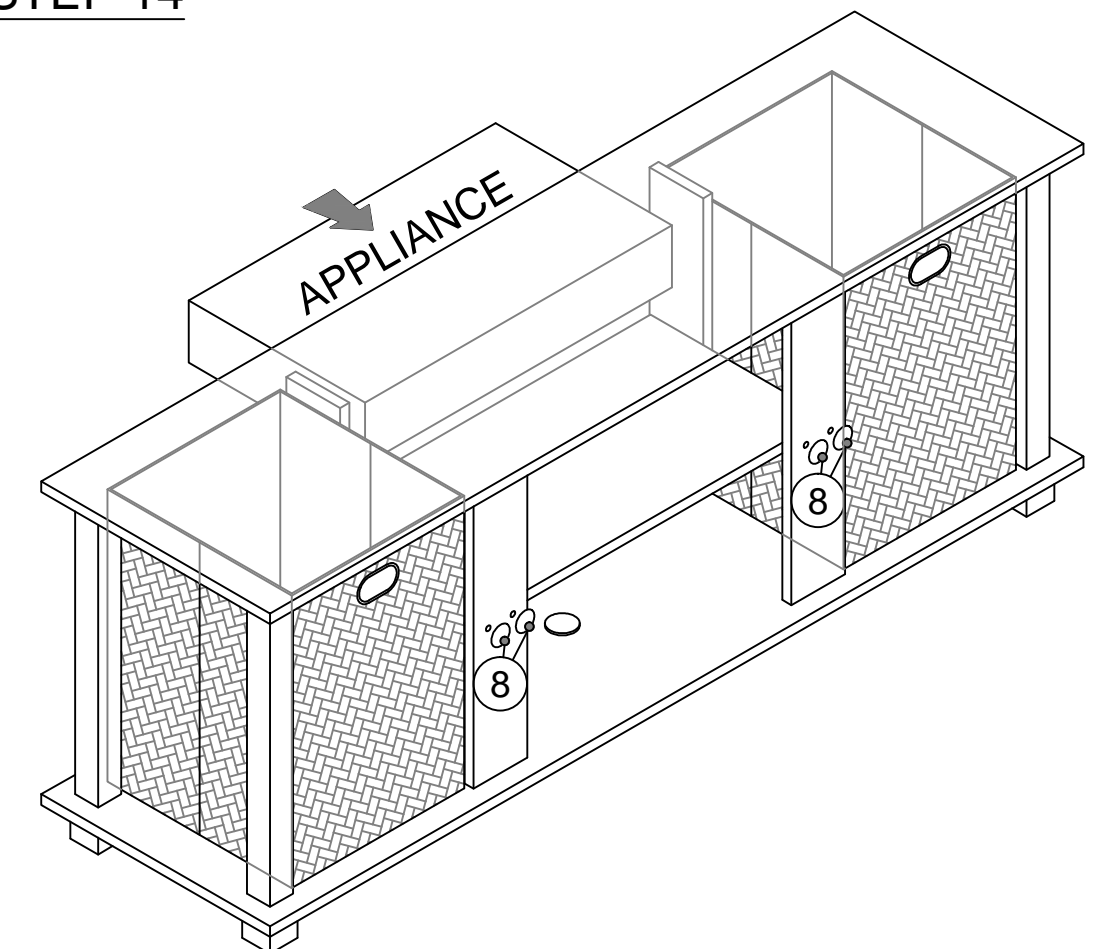
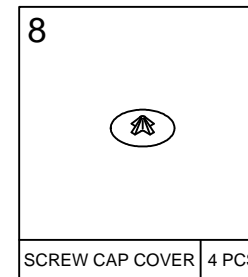
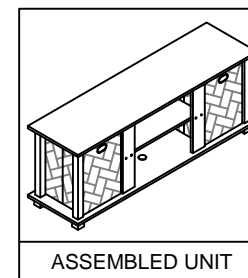
USEFUL HINTS BEFORE YOU START:

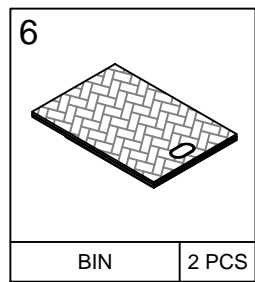
1. Read each step carefully before starting.
2. It is important that each step is performed in correct order to avoid difficulties.
3. Identify, soft and count the parts before assembly.
4. Assemble your furniture on packaging cardboard to prevent scratch or damage.
5. Clean the product with mild cleanser using soft damped cloth. Do not use harsh or abrasive cleanser.
6. Using incompatible hardware might cause damage to product.

STEP 13

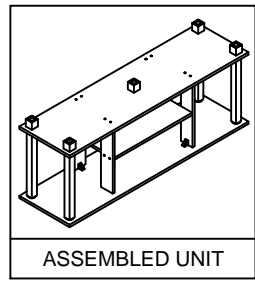
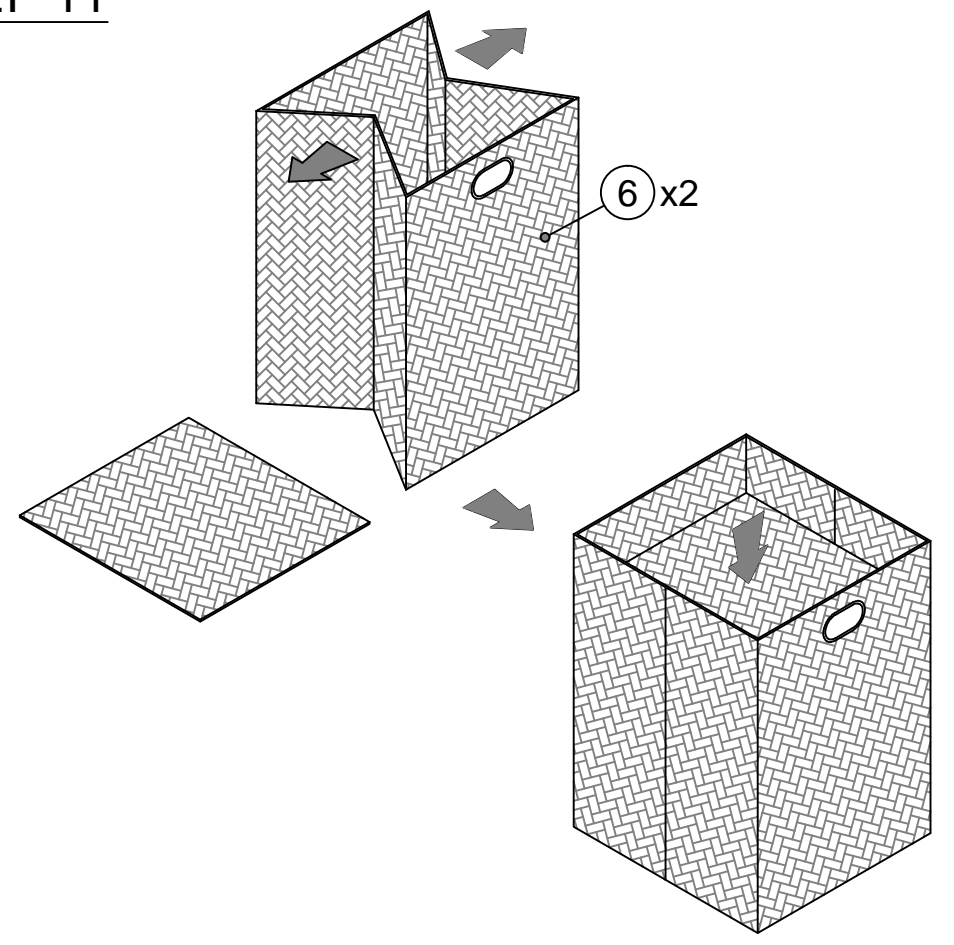


STEP 14

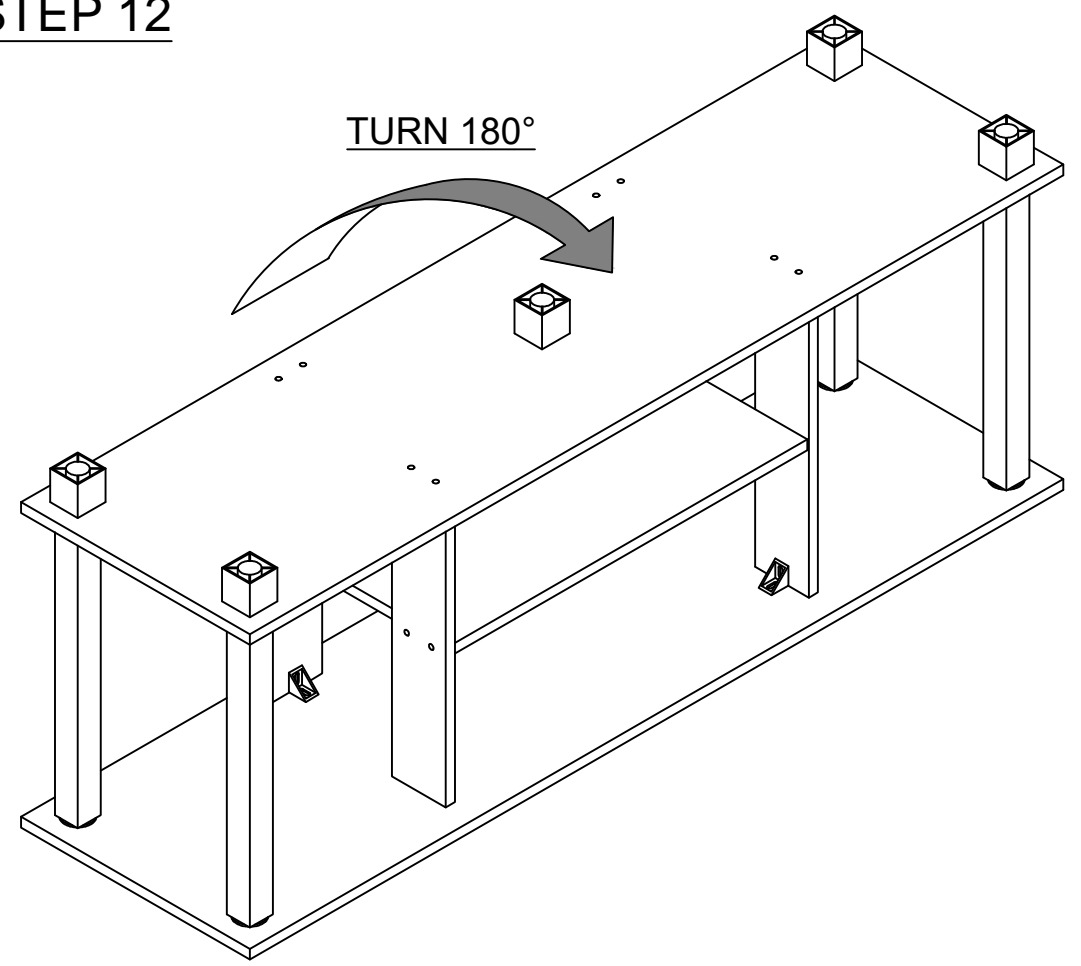




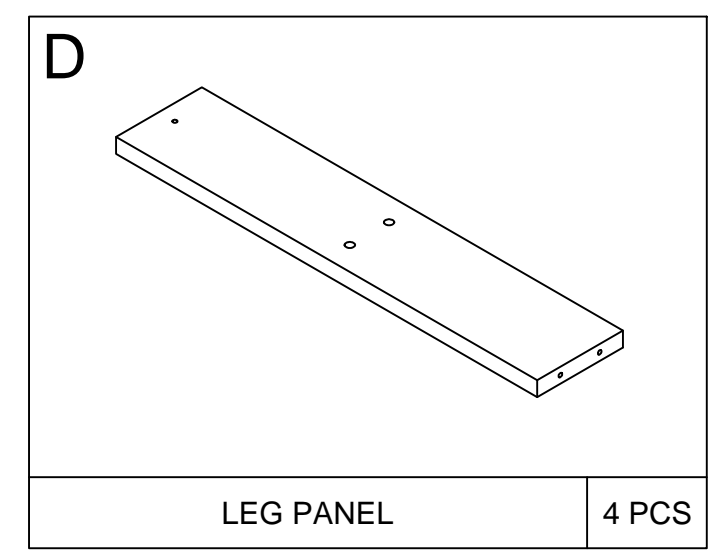
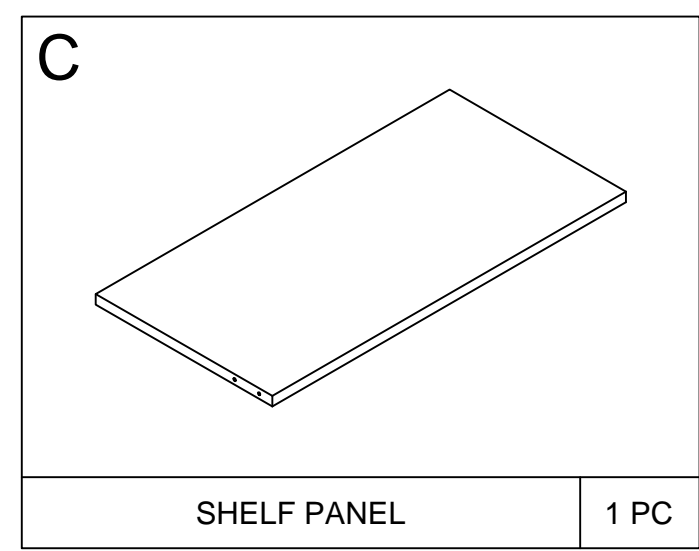
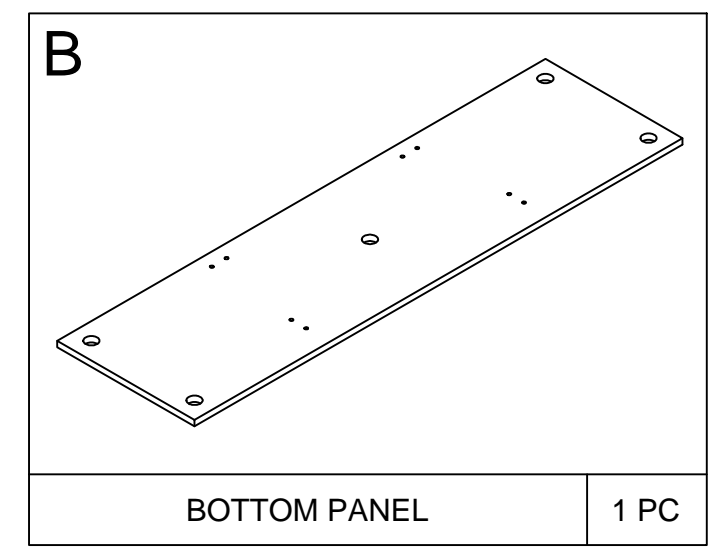
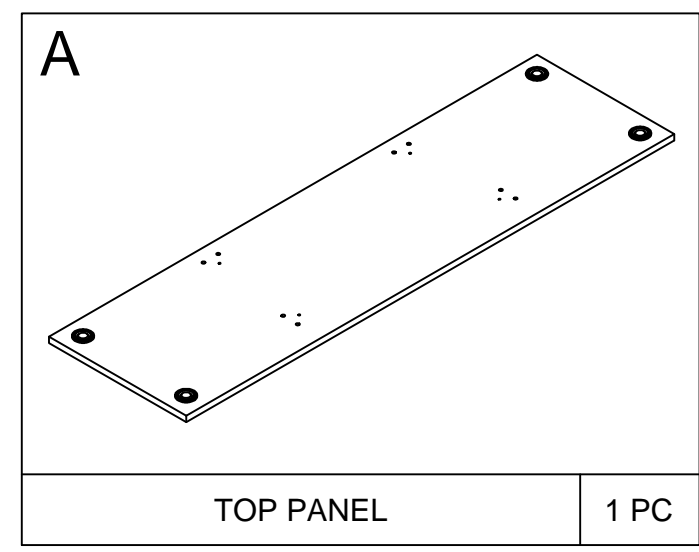
STEP 11



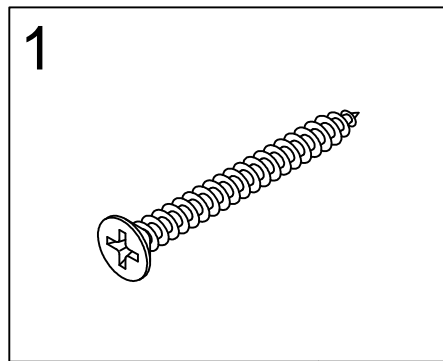
STEP 12



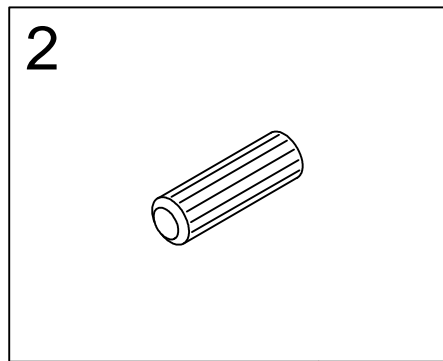
PARTS LIST



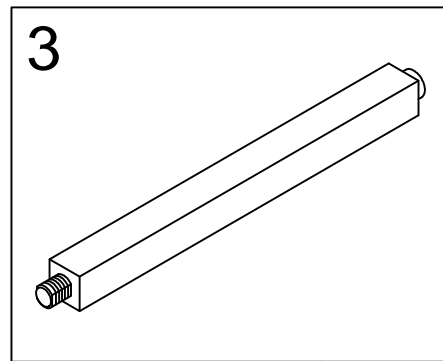
HARDWARE LIST



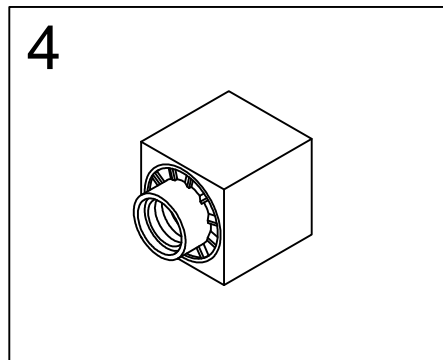
1
LARGE SCREW 16 PCS



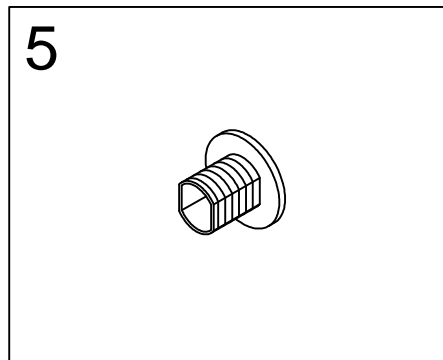
2
DOWEL 8 PCS



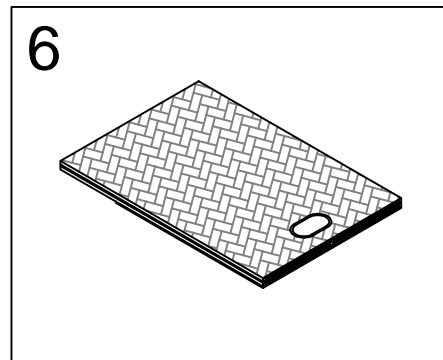
3
SQUARE POLE 4 PCS



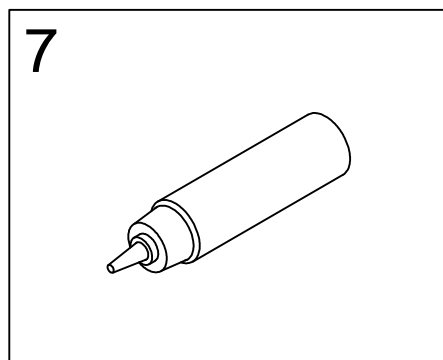
4
SQUARE LEG 5 PCS



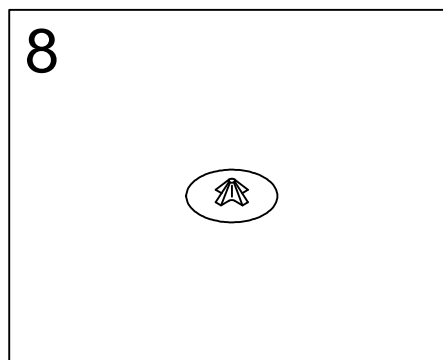
5
TOP CAP 1 PC



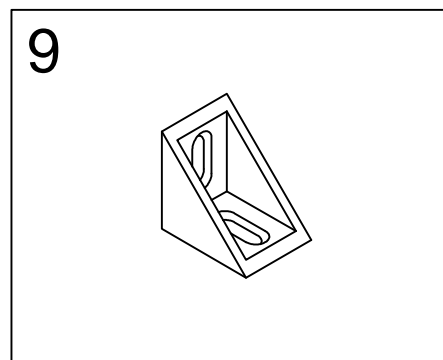
6
BIN 2 PCS



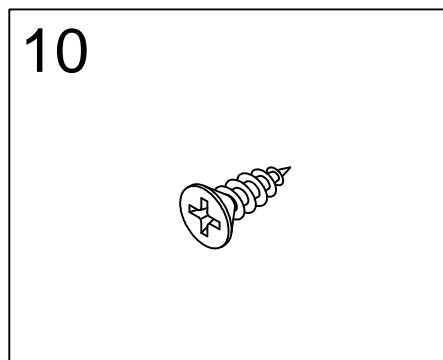
7
GLUE 1 PC



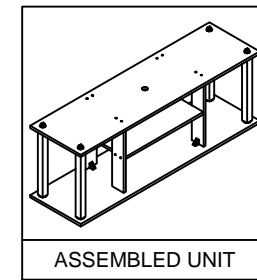
8
SCREW CAP COVER 4 PCS



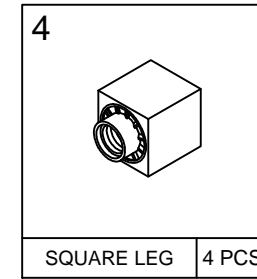
9
L-BRACKET 4 PCS



10
SMALL SCREW 8 PCS

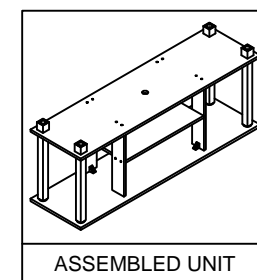
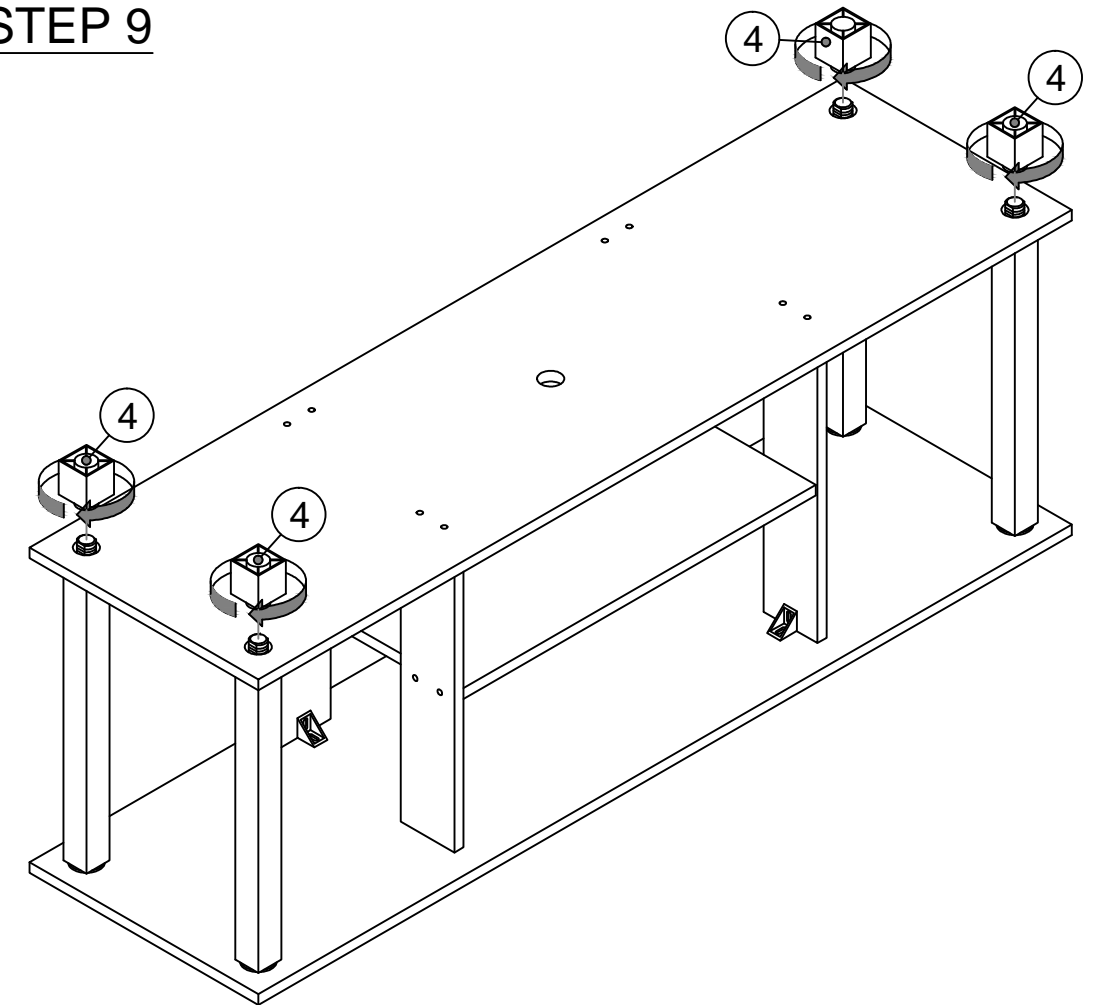


ASSEMBLED UNIT

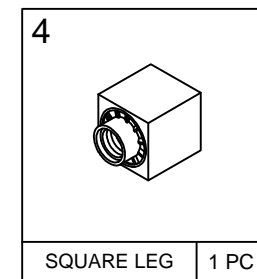


4
SQUARE LEG 4 PCS

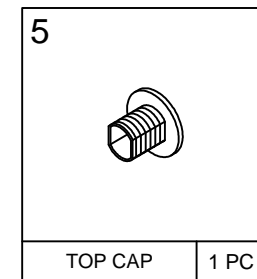
STEP 9



ASSEMBLED UNIT

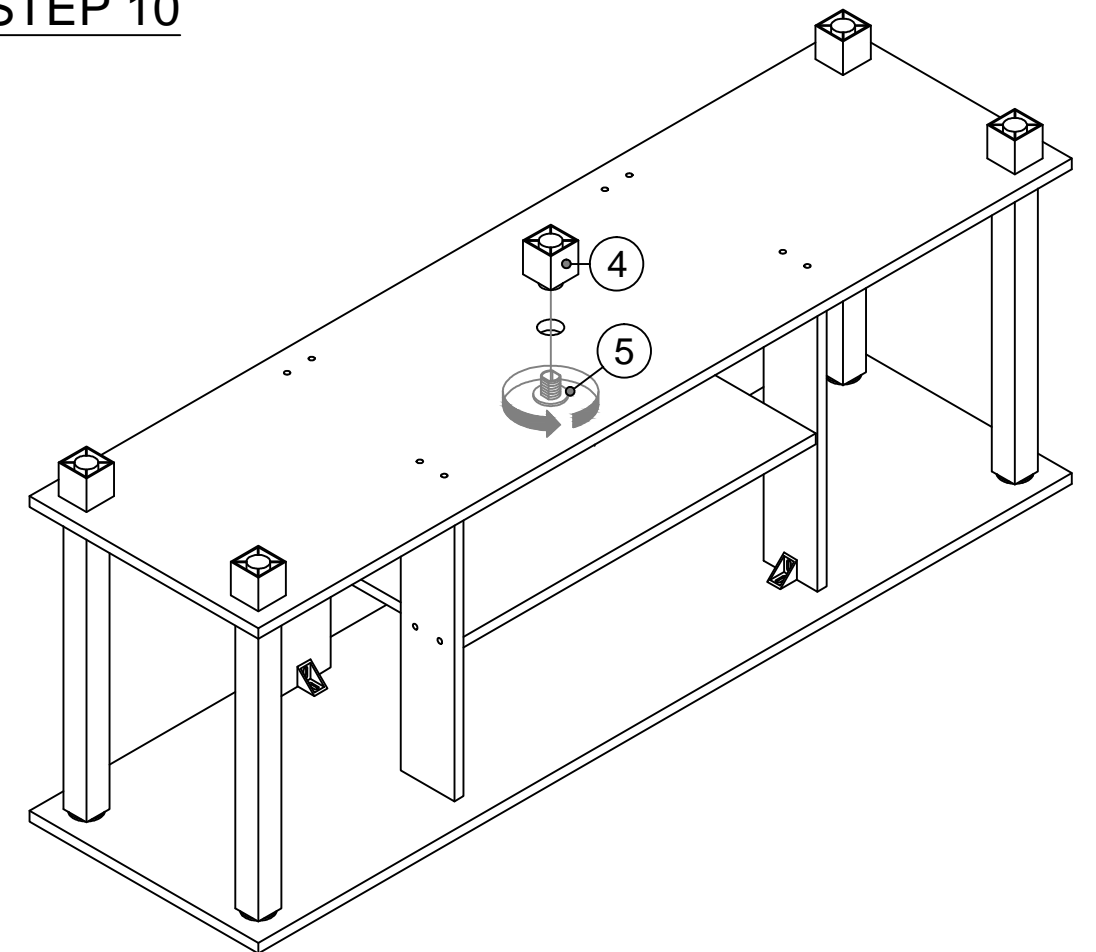


4
SQUARE LEG 1 PC

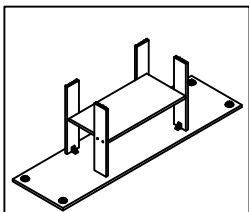


5
TOP CAP 1 PC

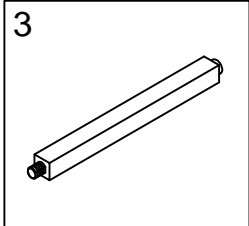
STEP 10



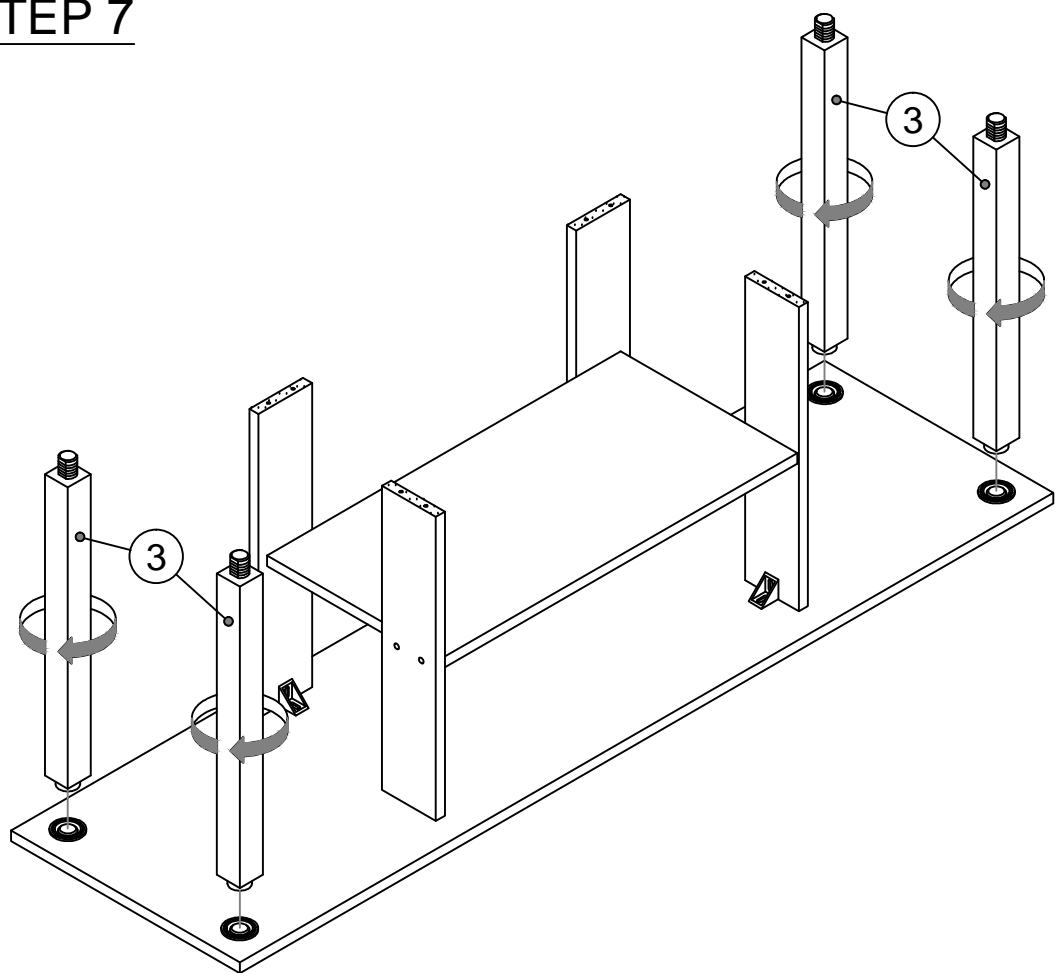
STEP 7



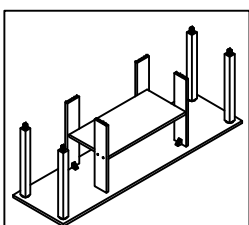
ASSEMBLED UNIT



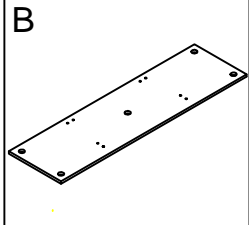
SQUARE POLE 4 PCS



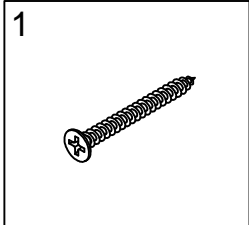
STEP 8



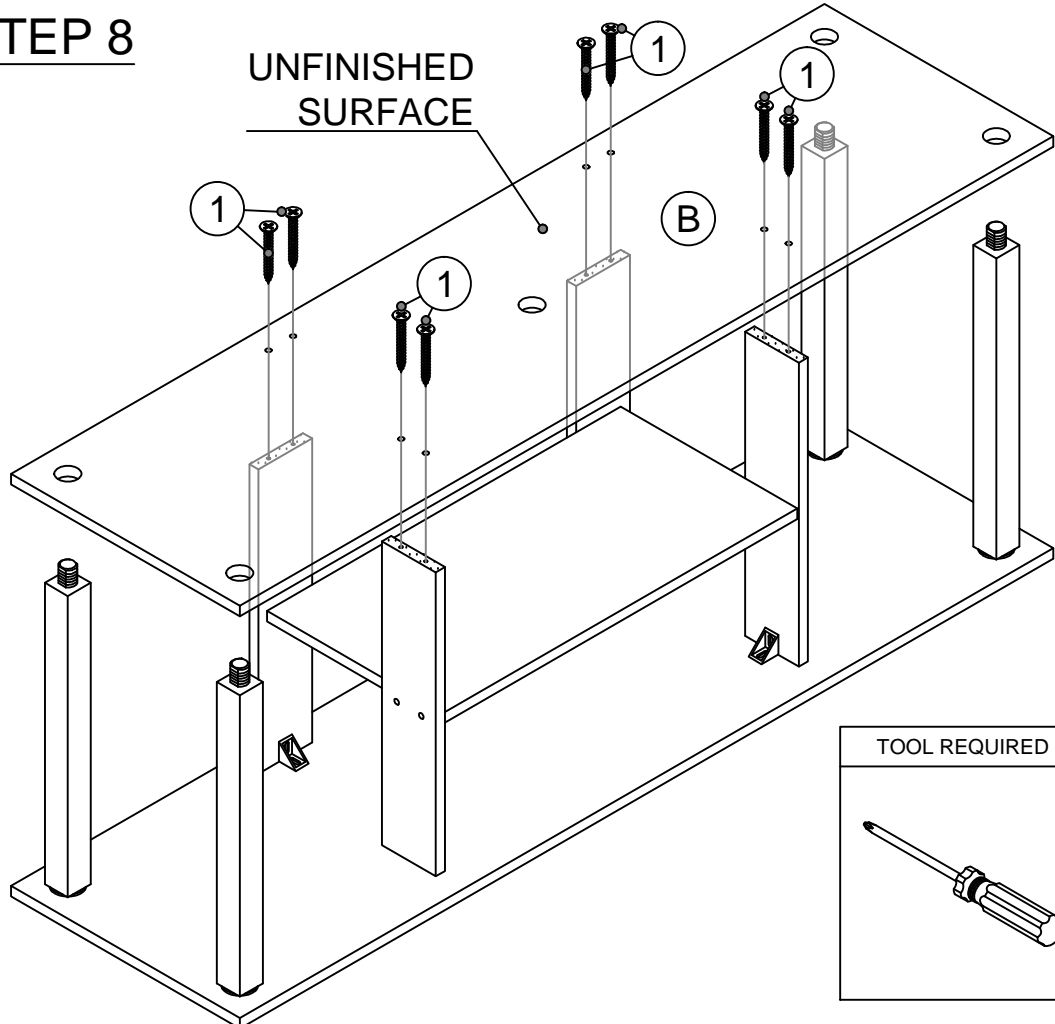
ASSEMBLED UNIT



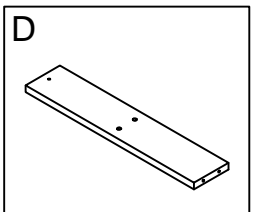
BOTTOM PANEL 1 PC



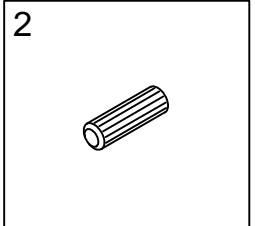
LARGE SCREW 8 PCS



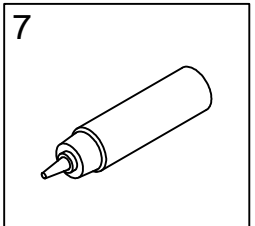
STEP 1



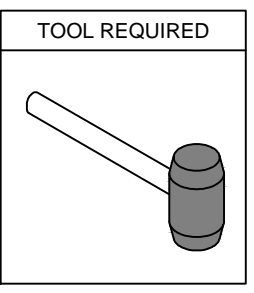
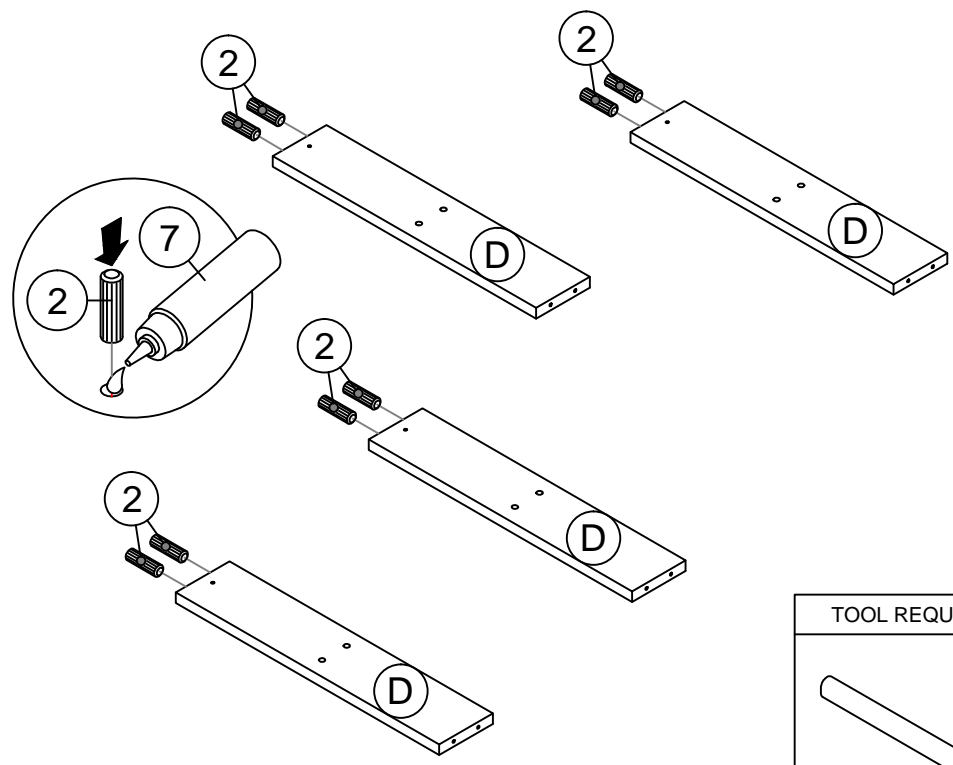
LEG PANEL 4 PCS



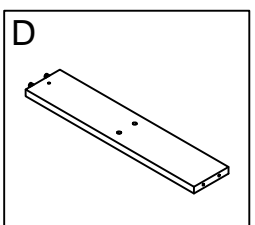
DOWEL 8 PCS



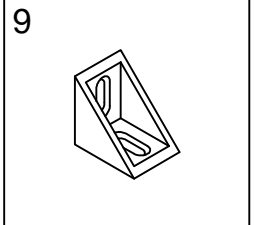
GLUE



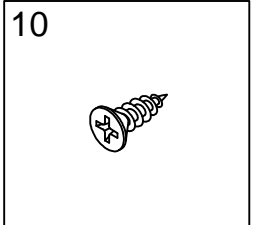
STEP 2



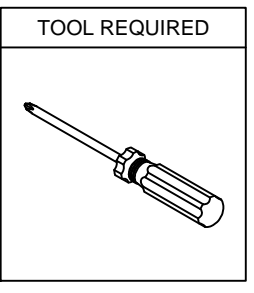
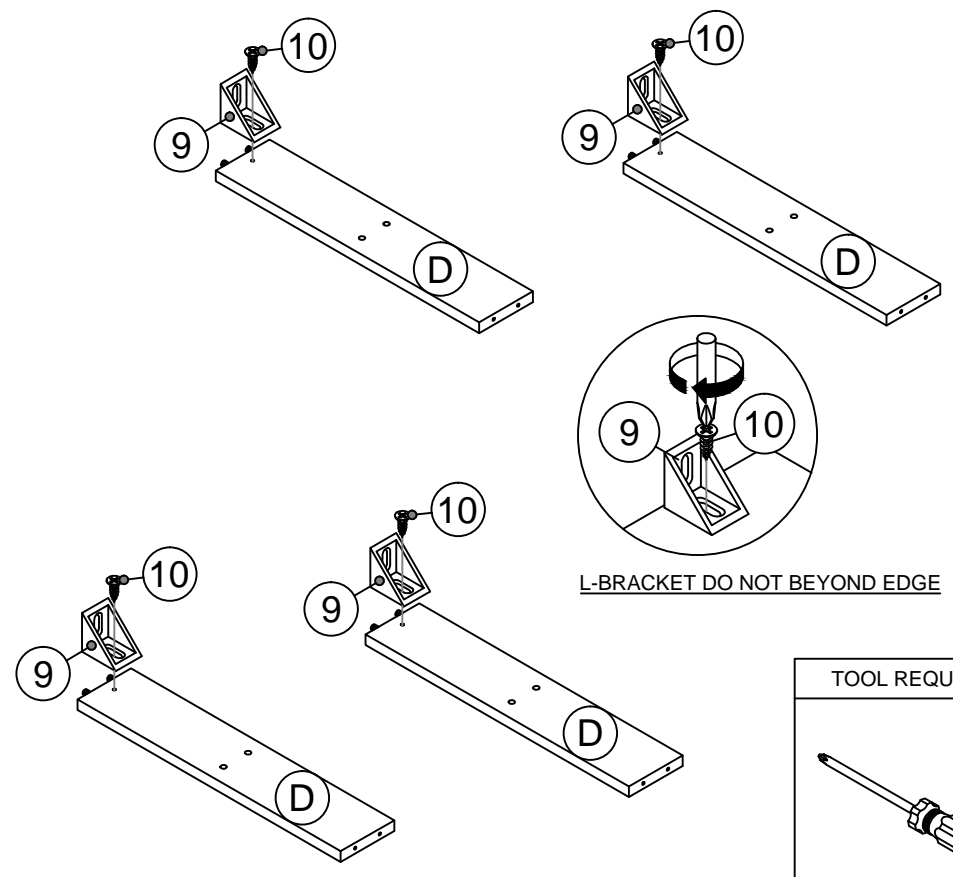
LEG PANEL 4 PCS

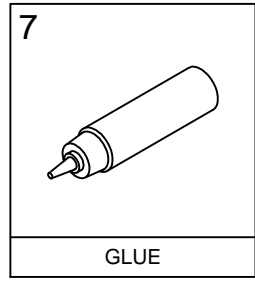
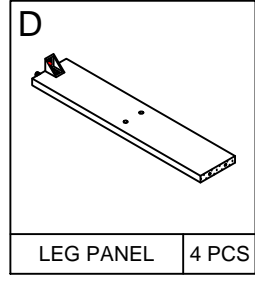
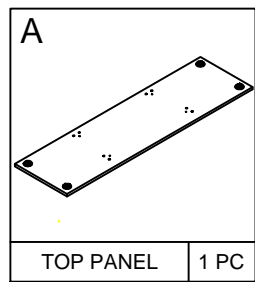


L-BRACKET 4 PCS

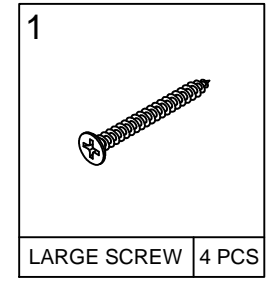
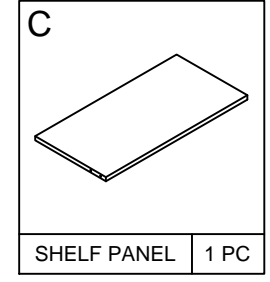
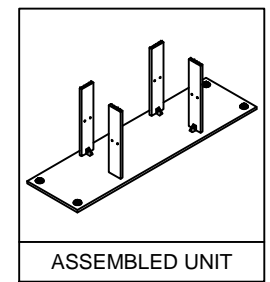
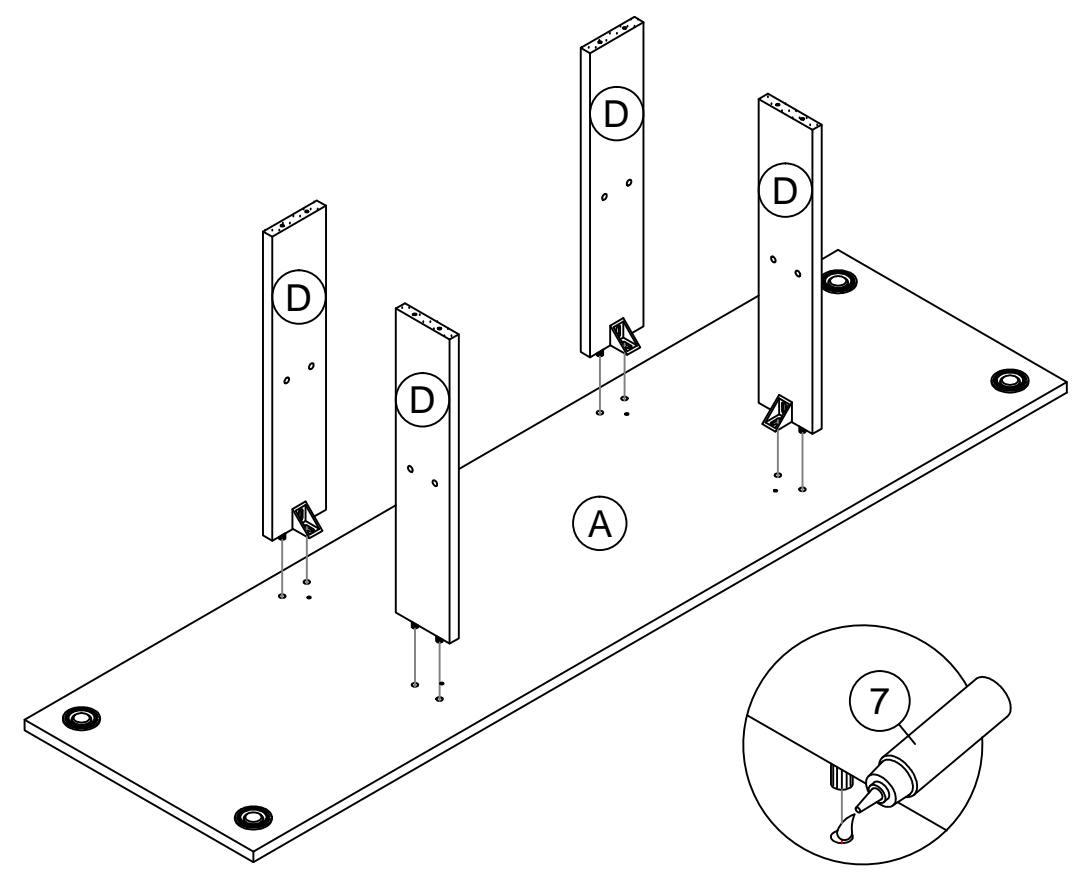


SMALL SCREW 4 PCS

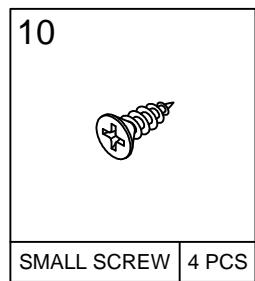
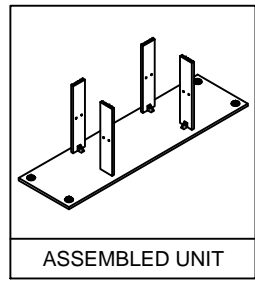
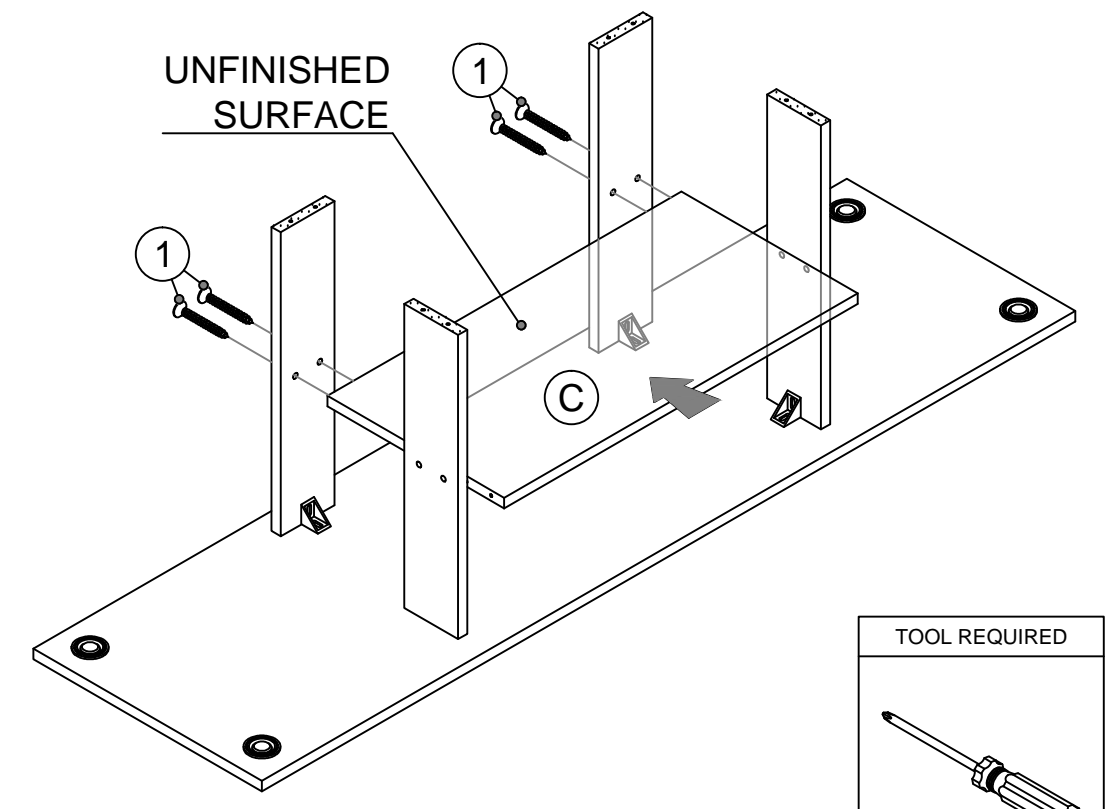




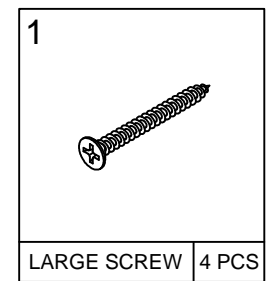
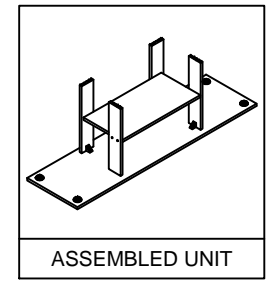
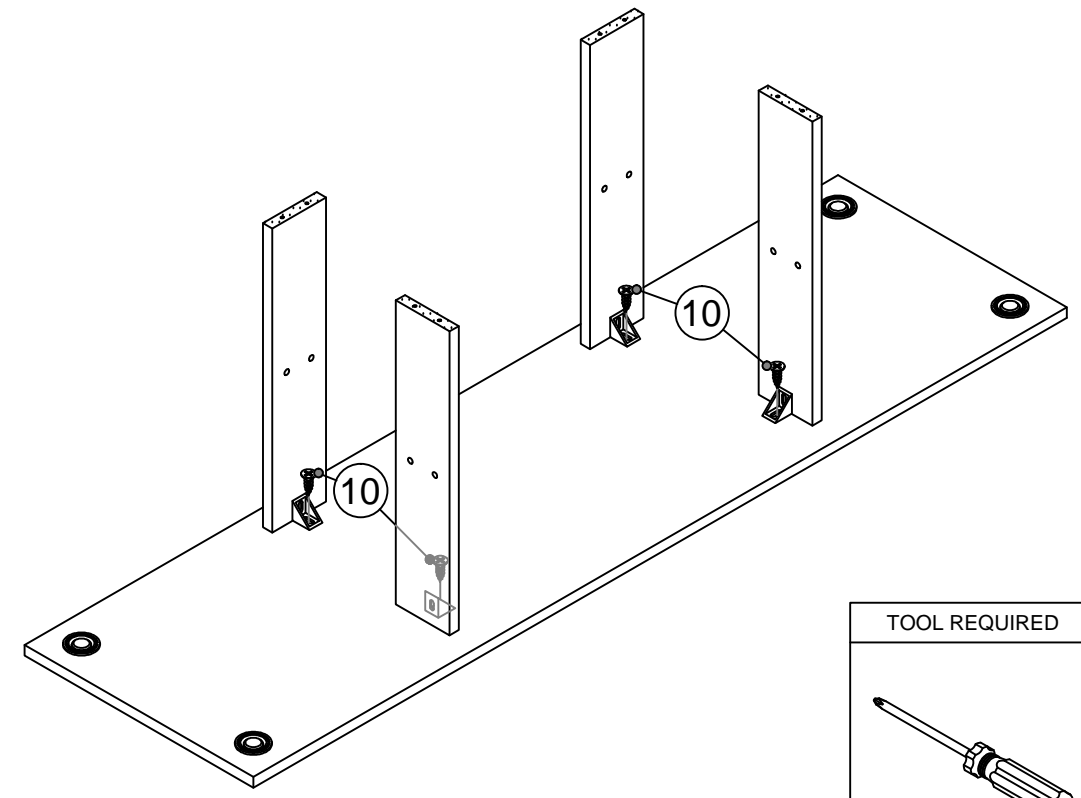
STEP 3



STEP 5



STEP 4



STEP 6

