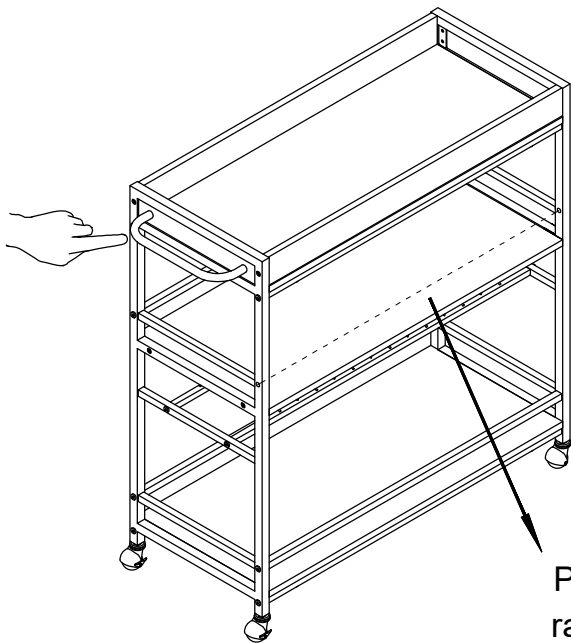


ASSEMBLY INSTRUCTION

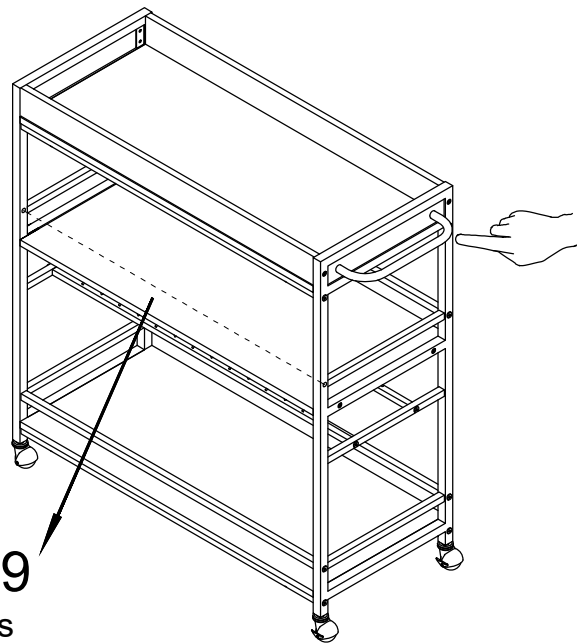
2 Ways to assemble this bar cart

Keep Handle on LEFT side



Please note that the #9 rail is not needed at this position.

Keep Handle on RIGHT side



If you would like to assemble the handle on LEFT side, please follow instructions from page 2 to page 16.

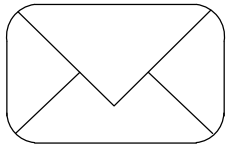
If you would like to assemble the handle on RIGHT side, please follow instructions from page 2-4 to page 17-28.

Bar cart

Item No.: BNG-BC1841

Need help: service@bon-augure.com

BON AUGURE

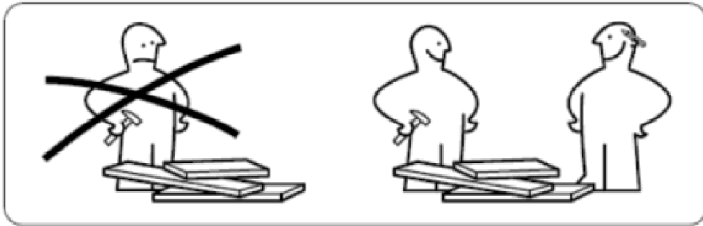


Thank you for purchasing our bar cart. If any parts missed or damaged, please do not hesitate to contact with us, we will send you the replacement parts immediately.

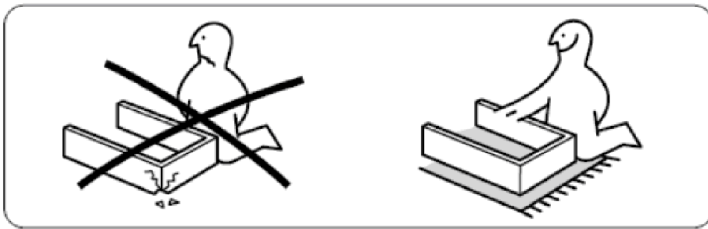
Email: service@bon-augure.com

ASSEMBLY TIPS, IT IS AS EASY AS 1,2,3

1. Please read the assembly instructions first and become familiar with the parts.
2. Proper assembly of this item requires 2 people.



3. Unpack and assemble this unit in a spacious area, assemble the unit on top of the empty carton or carpet to prevent scratches.



4. To avoid accidentally discarding small parts or hardware, **DO NOT** dispose of any contents until assembly is completed.
5. **Do not fully tighten all bolts until all parts are in place.** Failure to follow these instructions may cause the bolts to misalign during assembly.

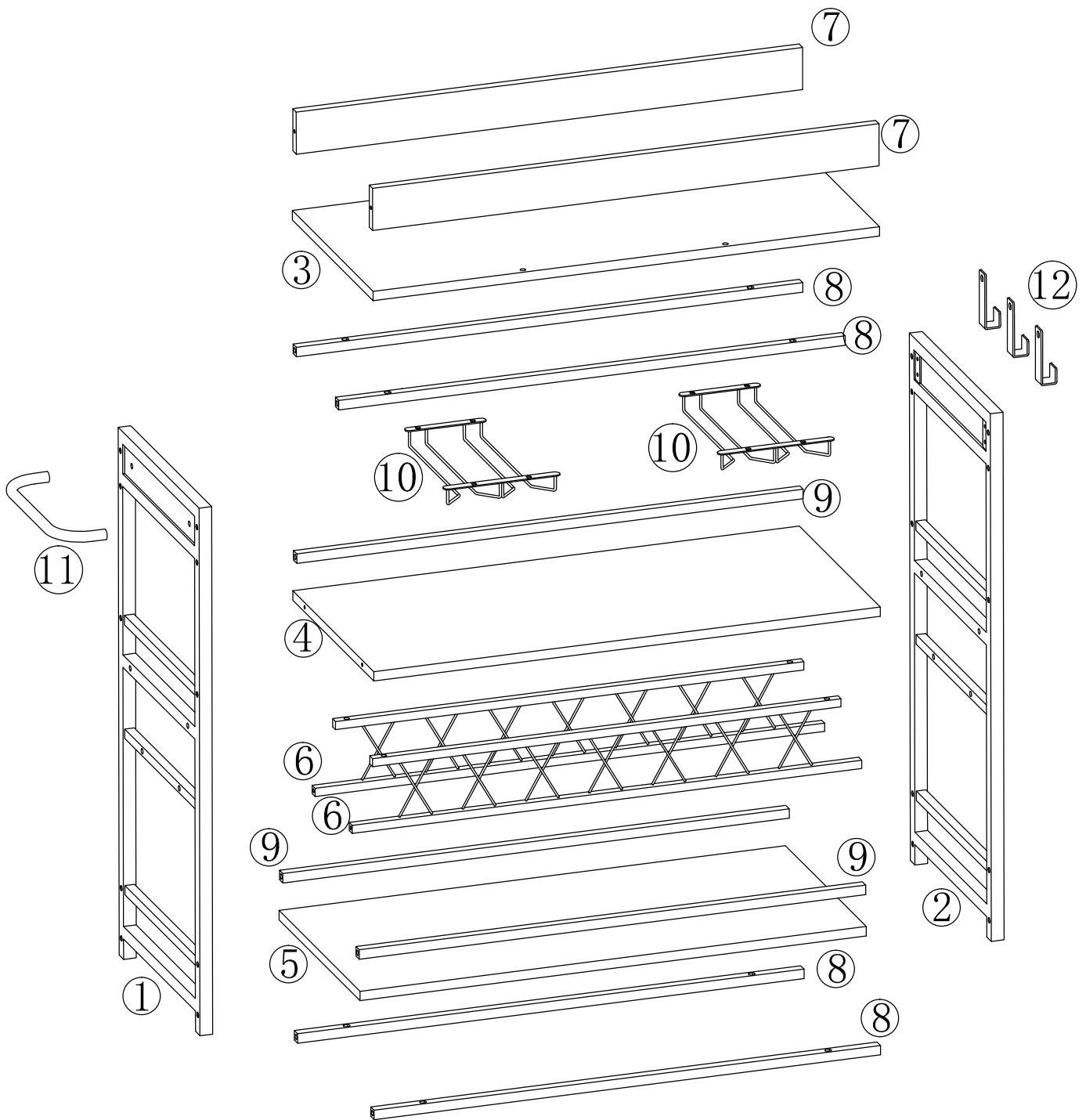
CARE INSTRUCTIONS

- (1) Hardware may loosen overtime. Periodically check that all connections are tight.
- (2) Wipe with a soft, dry cloth. To protect finish, avoid the use of chemicals and household cleaners.
- (3) All hot serving dishes should be placed on a pad.
- (4) Any liquid spilled onto the furniture should be cleaned up immediately with a dry cloth.

Part Identification

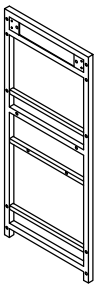
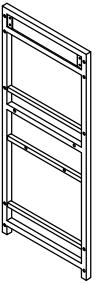
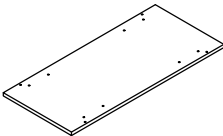
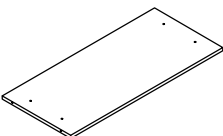
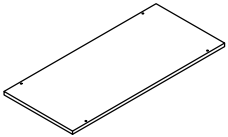
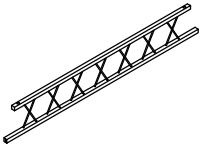
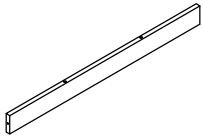
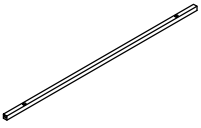
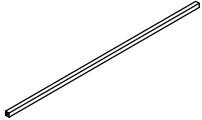
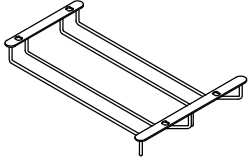
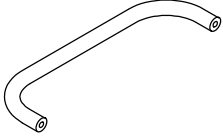

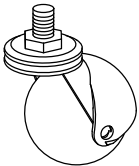
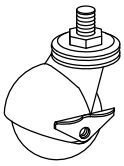
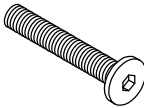
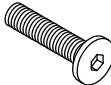
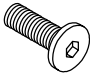
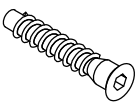


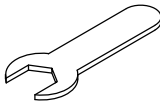



While not all parts are labeled, some of the parts will have a label on the edge to help distinguish similar parts from each other. Use this part identification to help identify similar parts.

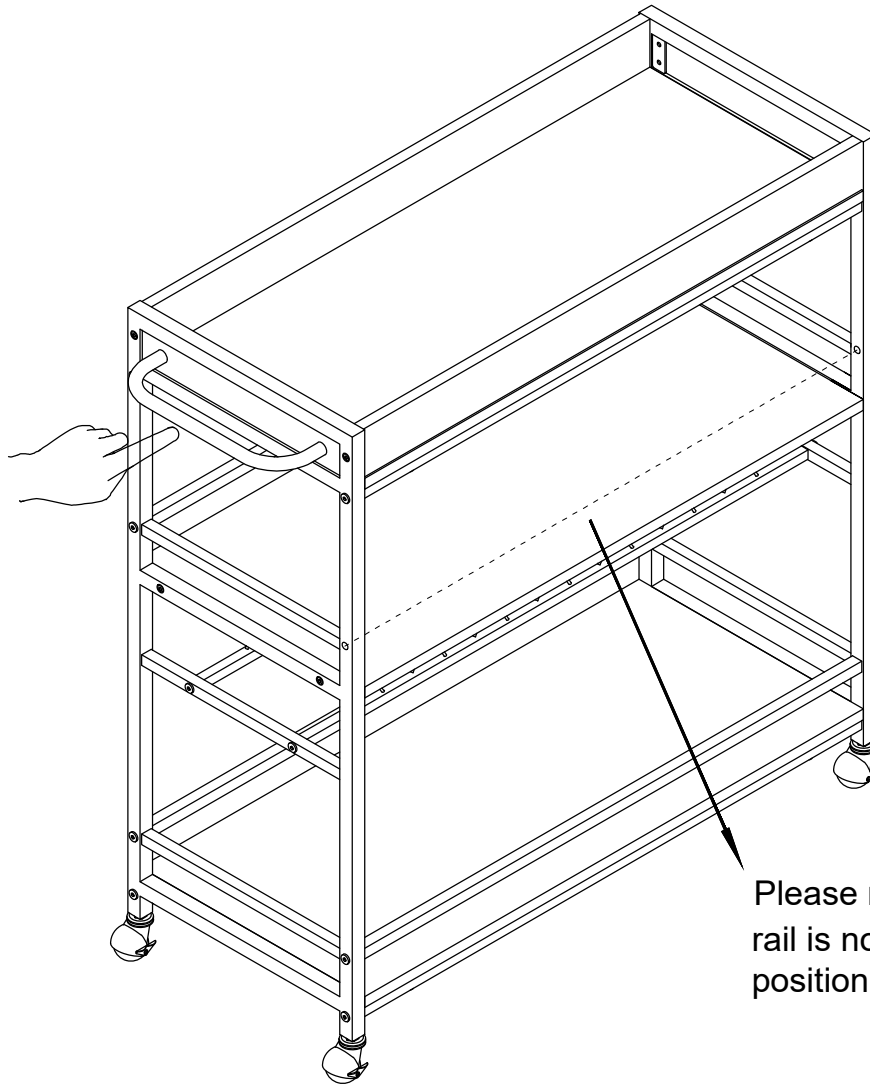


Hardware List

✚ We've provided extra hardware bag for your replacement in case hardware missing during transportation or assembling.

<p>①</p> 	<p>②</p> 	<p>③</p>  <p>800*360*15 mm</p>	<p>④</p>  <p>800*360*15 mm</p>	
<p>Left Metal Frame 1 pc</p>	<p>Right Metal Frame 1 pc</p>	<p>Top Shelf 1 pc</p>	<p>Mid Shelf 1 pc</p>	
<p>⑤</p>  <p>800*360*15 mm</p>	<p>⑥</p>  <p>805*115*13 mm</p>	<p>⑦</p>  <p>799*67*15 mm</p>	<p>⑧</p>  <p>800*15*15 mm</p>	
<p>Bottom Shelf 1 pc</p>	<p>Wine Rack 2 pcs</p>	<p>Anti-Falling Panel 2 pcs</p>	<p>Support Tube (With 2 Holes) 4 pcs</p>	
<p>⑨</p>  <p>800*15*15 mm</p>	<p>⑩</p> 	<p>⑪</p> 	<p>⑫</p> 	
<p>Rail (Without Holes) 3 pcs</p>	<p>Stemware Rack 2 pcs</p>	<p>Handle 1 pc</p>	<p>Hook 3 pcs</p>	
<p>A</p> 	<p>B</p> 	<p>C</p>  <p>M6*40 mm</p>	<p>D</p>  <p>M6*25 mm</p>	<p>E</p>  <p>M6*12mm</p>
<p>Wheel (Without Brake) 2 pcs</p>	<p>Wheel (With Brake) 2 pcs</p>	<p>Longest Allen Bolt 18 pcs</p>	<p>Mid-Allen Bolt 14 pcs</p>	<p>Shortest Allen Bolt 11 pcs</p>
<p>F</p>  <p>Φ7x50mm</p>	<p>G</p> 	<p>H</p> 	<p>I</p> 	<p>J</p> 
<p>Hex Head Self Tapping Screw 8 pcs</p>	<p>Wood Dowel 4 pcs</p>	<p>Allen Key 1 pc</p>	<p>Wrench 1 pc</p>	<p>Hole Cover 4 pcs</p>

Assembly Steps for Assembling on LEFT Side

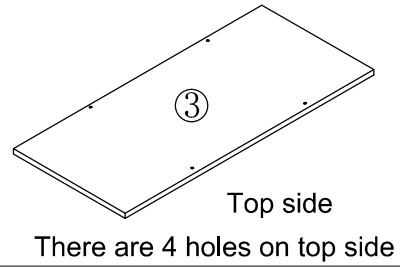
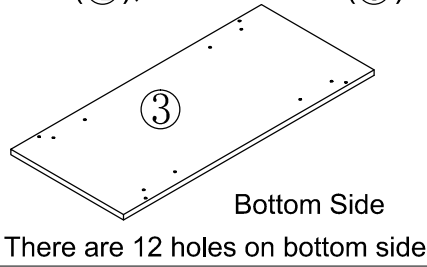


If you would like to assemble the handle on LEFT side, please follow instructions from page 2 to page 16.

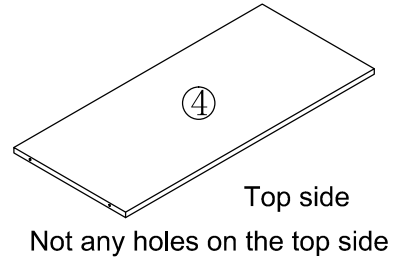
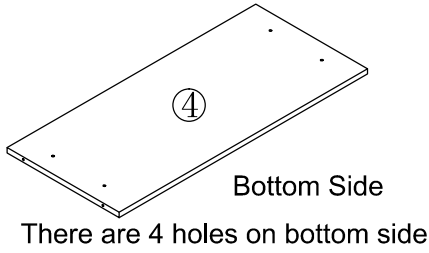
Step 1 Important Note: To avoid incorrect assembly, please follow our steps strictly. (Need Help: service@bon-augure.com)

🔑 Distinguish table top (③), mid-shelf (④), bottom shelf (⑤) first. We've stuck labels on each board, but some of labels may fall off when unpack the package. Below is another way to distinguish top shelf (③), mid-shelf (④), bottom shelf (⑤).

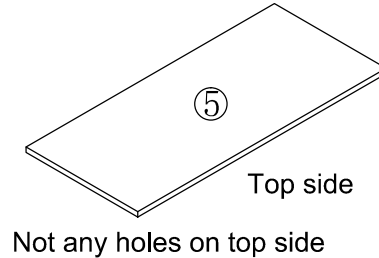
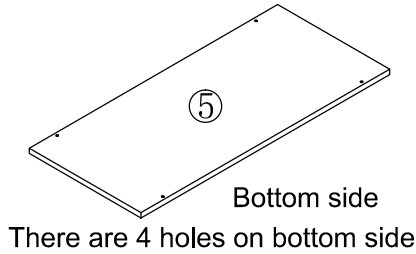
Top shelf ③



Mid shelf ④



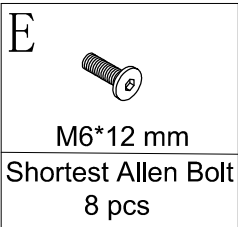
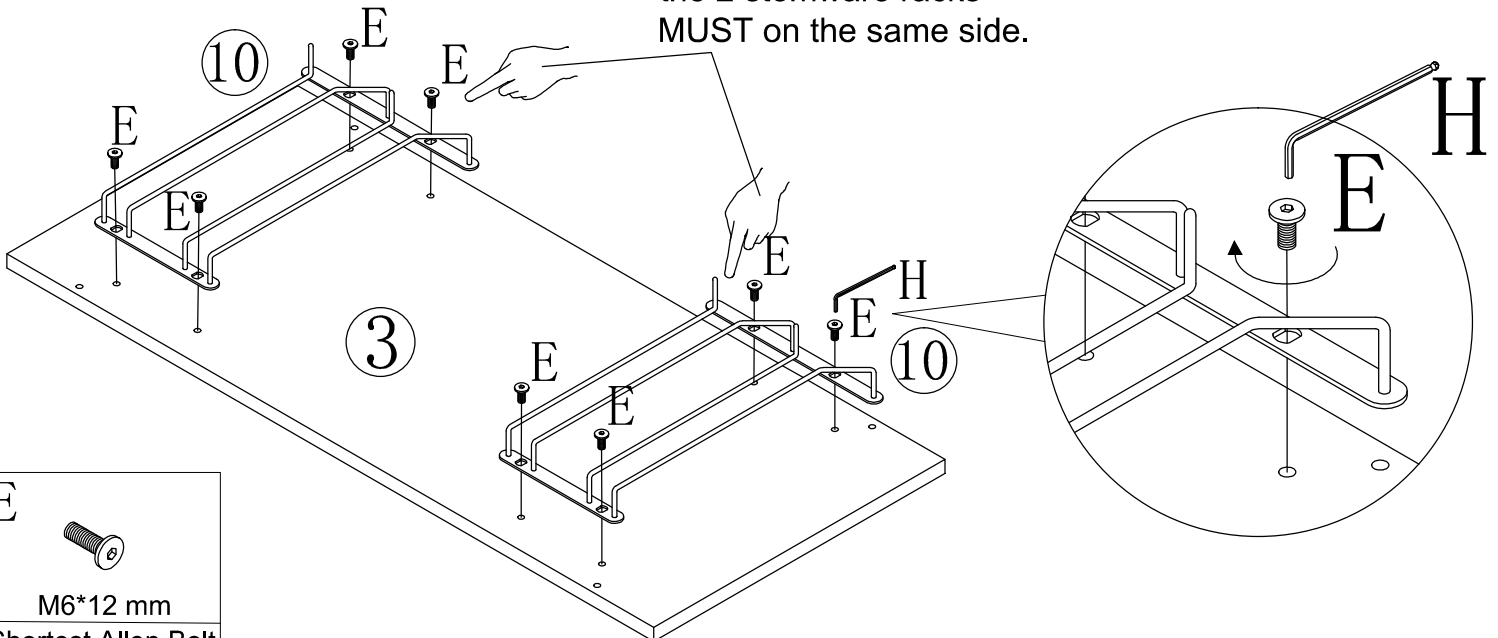
Bottom shelf ⑤



Step 2 Important Note: To avoid incorrect assembly, please follow our steps strictly. (Need Help: service@bon-augure.com)

🔑 Align 2 pcs stemware rack (⑩) to the bottom of top shelf (③). Then fully tighten by using 8 pcs shortest allen bolts (E) and allen key (H).

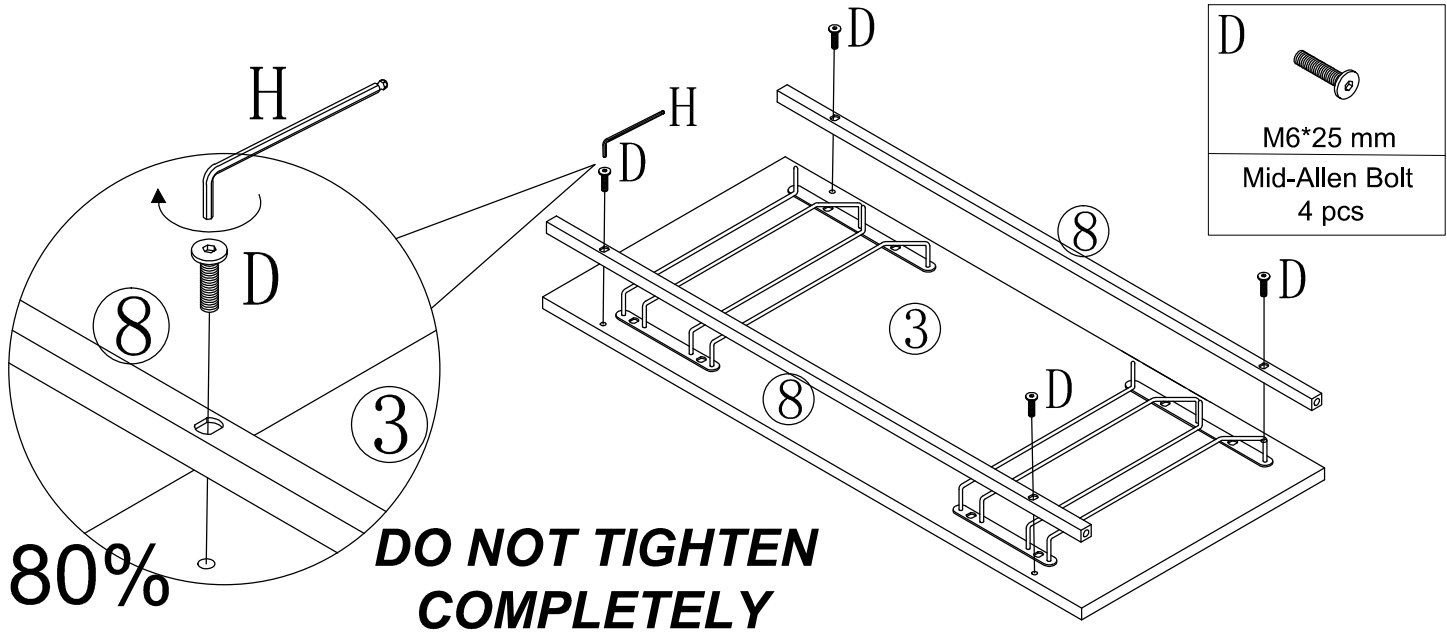
NOTE: The wider end of the 2 stemware racks MUST on the same side.



Step 3

Important Note: To avoid incorrect assembly, please follow our steps strictly. (Need Help: service@bon-augure.com)

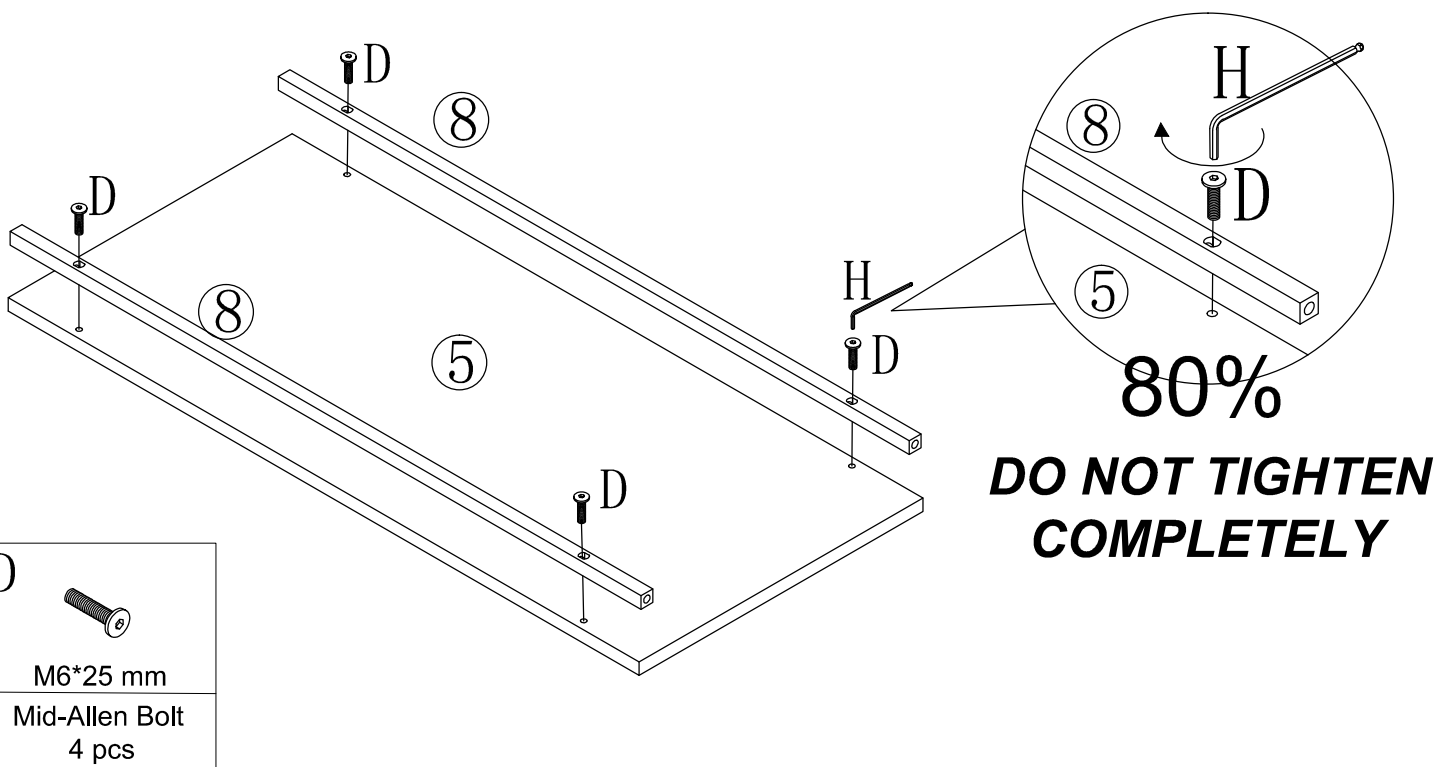
🔑 Attach 2 pcs support tube (8) to top shelf (3), fix by using 4 pcs mid-allen bolts (D) and allen key (H). **DO NOT TIGHTEN COMPLETELY.** Stop when you feel you are adding force to tighten the bolt. NOTE: The length of mid-allen bolt (D) is 25mm, **DO NOT** use longer bolt to screw the tube.



Step 4

Important Note: To avoid incorrect assembly, please follow our steps strictly. (Need Help: service@bon-augure.com)

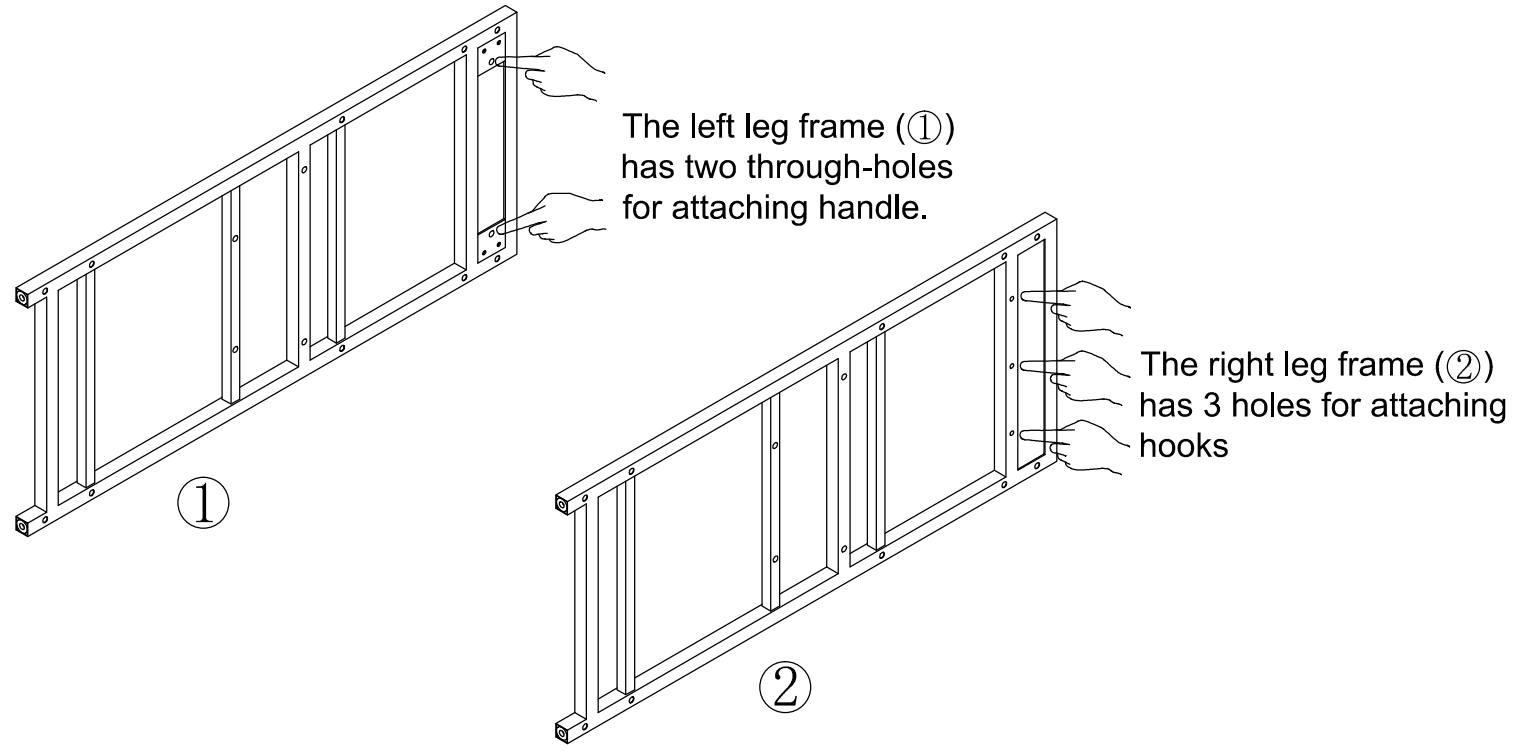
🔑 Attach 2 pcs support tube (8) to bottom shelf (5), fix by using 4 pcs mid-allen bolts (D) and allen key (H). **DO NOT TIGHTEN COMPLETELY.** Stop when you feel you are adding force to tighten the bolt. NOTE: The length of mid-allen bolt (D) is 25mm, **DO NOT** use longer bolt to screw the tube.



Step 5

Important Note: To avoid incorrect assembly, please follow our steps strictly. (Need Help: service@bon-augure.com)

✂ Distinguish left leg frame (①) and right leg frame (②) first. We've stucked labels on each leg frame, but some of labels may fall off when unpack the package. Below is another way to distinguish left leg frame (①) and right leg frame (②).

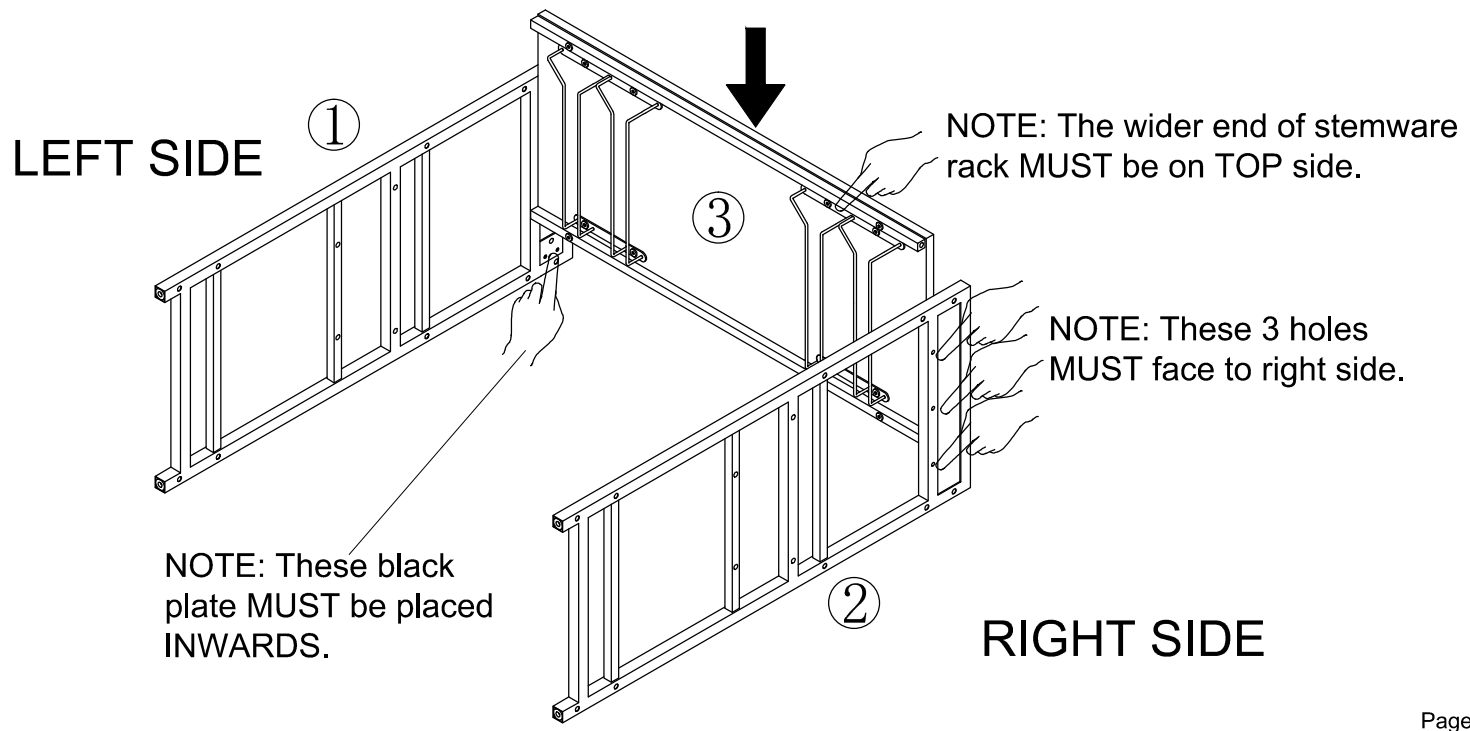


Step 6

Important Note: To avoid incorrect assembly, please follow our steps strictly. (Need Help: service@bon-augure.com)

✂ Lay left leg frame (①) on the left and right leg frame (②) on the right. NOTE: The black plate of left leg frame (①) MUST face to RIGHT side. The 3 holes of right leg frame (②) MUST face to RIGHT.

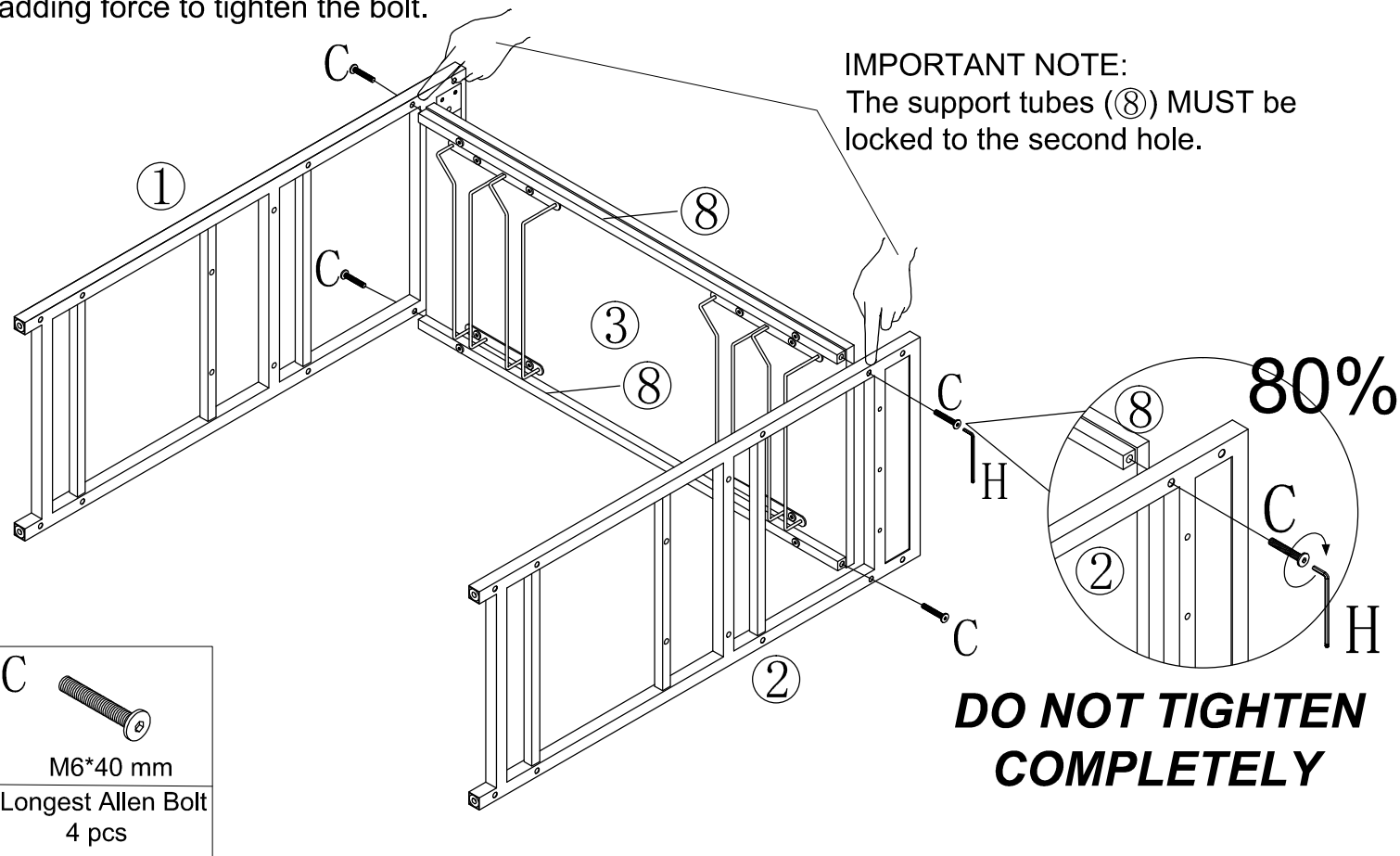
✂ Then insert assembled top shelf (③) between left leg frame (①) and right leg frame (②).



Step 7

Important Note: To avoid incorrect assembly, please follow our steps strictly. (Need Help: service@bon-augure.com)

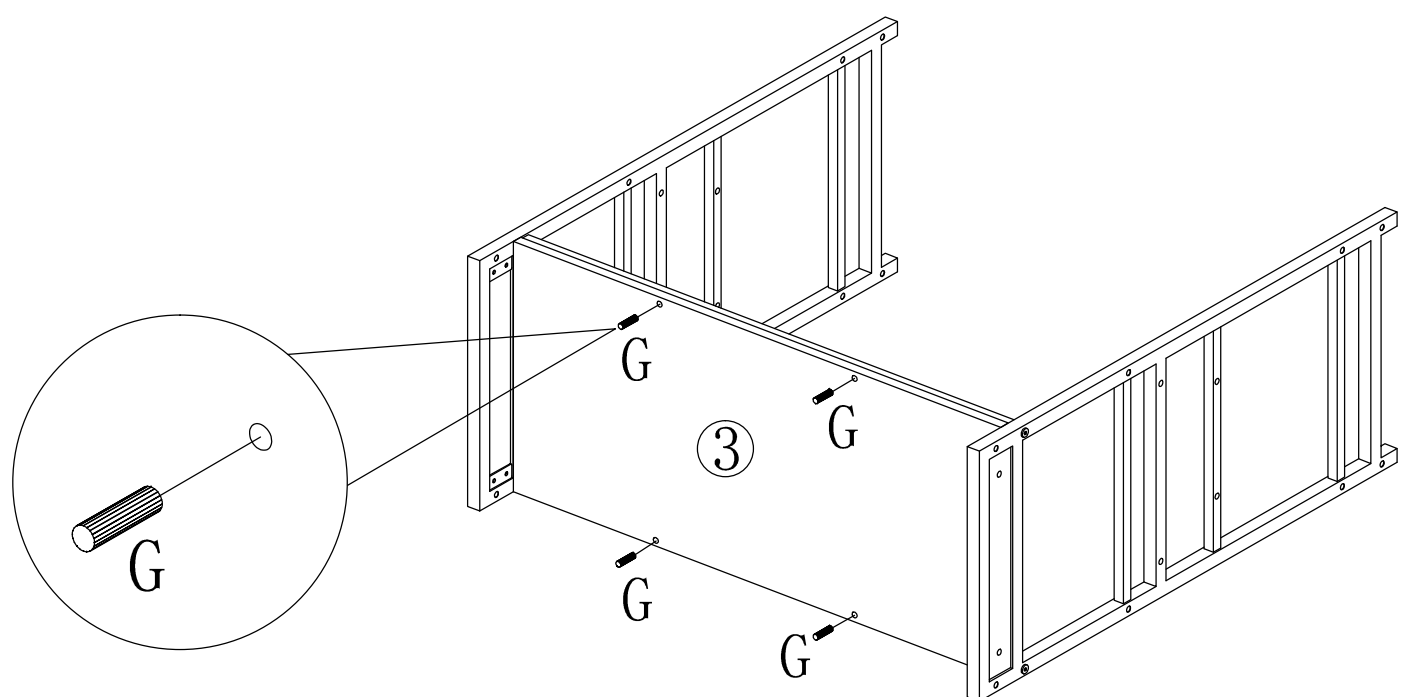
✚ Attached support tubes (8) to left leg frame (1) and right leg frame (2), fix by using 4 pcs longest allen bolts (C) and allen key (H). DO NOT TIGHTEN COMPLETELY. Stop when you feel you are adding force to tighten the bolt.



Step 8

Important Note: To avoid incorrect assembly, please follow our steps strictly. (Need Help: service@bon-augure.com)

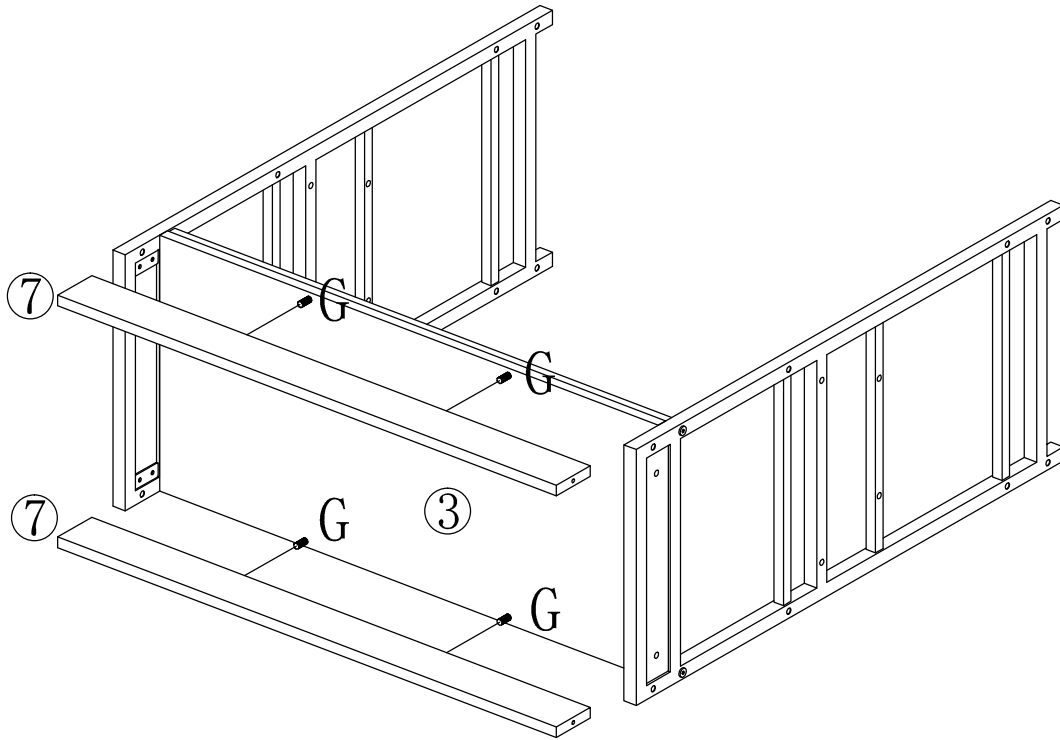
✚ Insert 4 pcs wood dowel (G) to top shelf (3).



Step 9

Important Note: To avoid incorrect assembly, please follow our steps strictly. (Need Help: service@bon-augure.com)

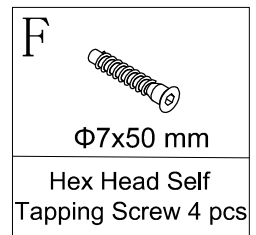
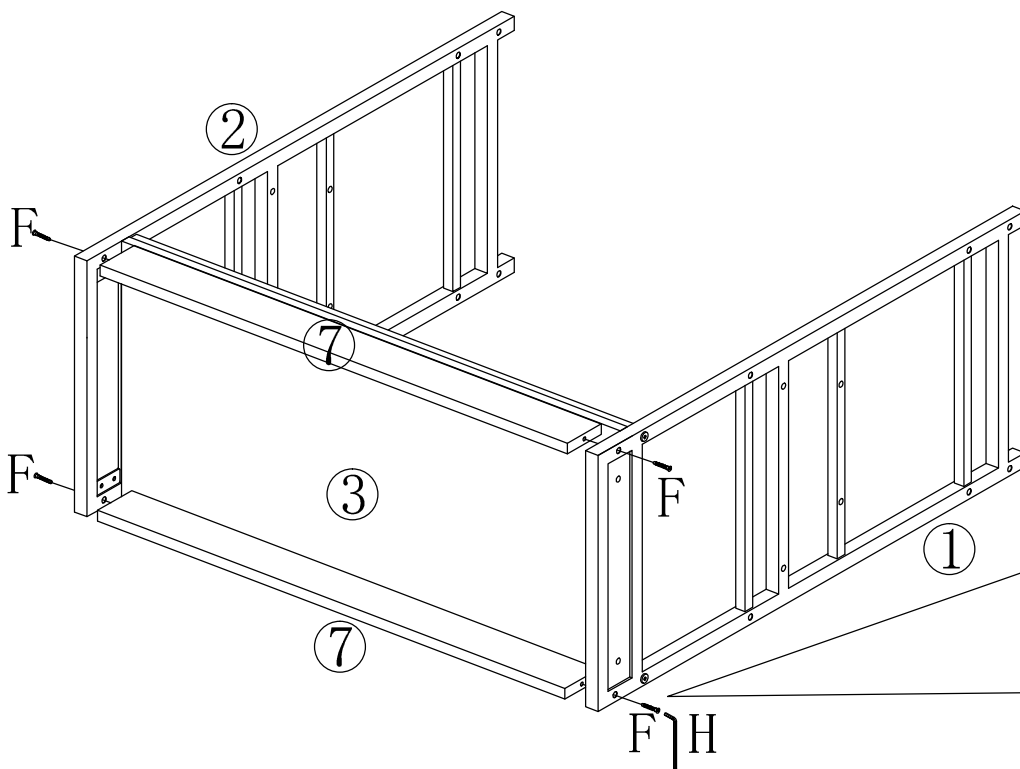
🔧 Insert 2 pcs anti-falling panel (⑦) to top shelf (③).



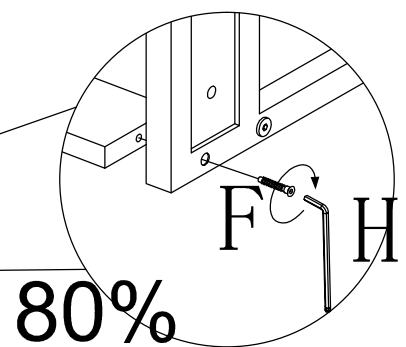
Step 10

Important Note: To avoid incorrect assembly, please follow our steps strictly. (Need Help: service@bon-augure.com)

🔧 Attached 2 pcs anti-falling panel (⑦) to left frame (①) and right leg frame (②). Fix by using 4 pcs hex head self tapping screw (F) and allen key (H). **DO NOT TIGHTEN COMPLETELY.** Stop when you feel you are adding force to tighten the bolt.



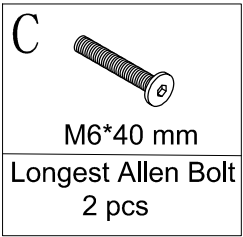
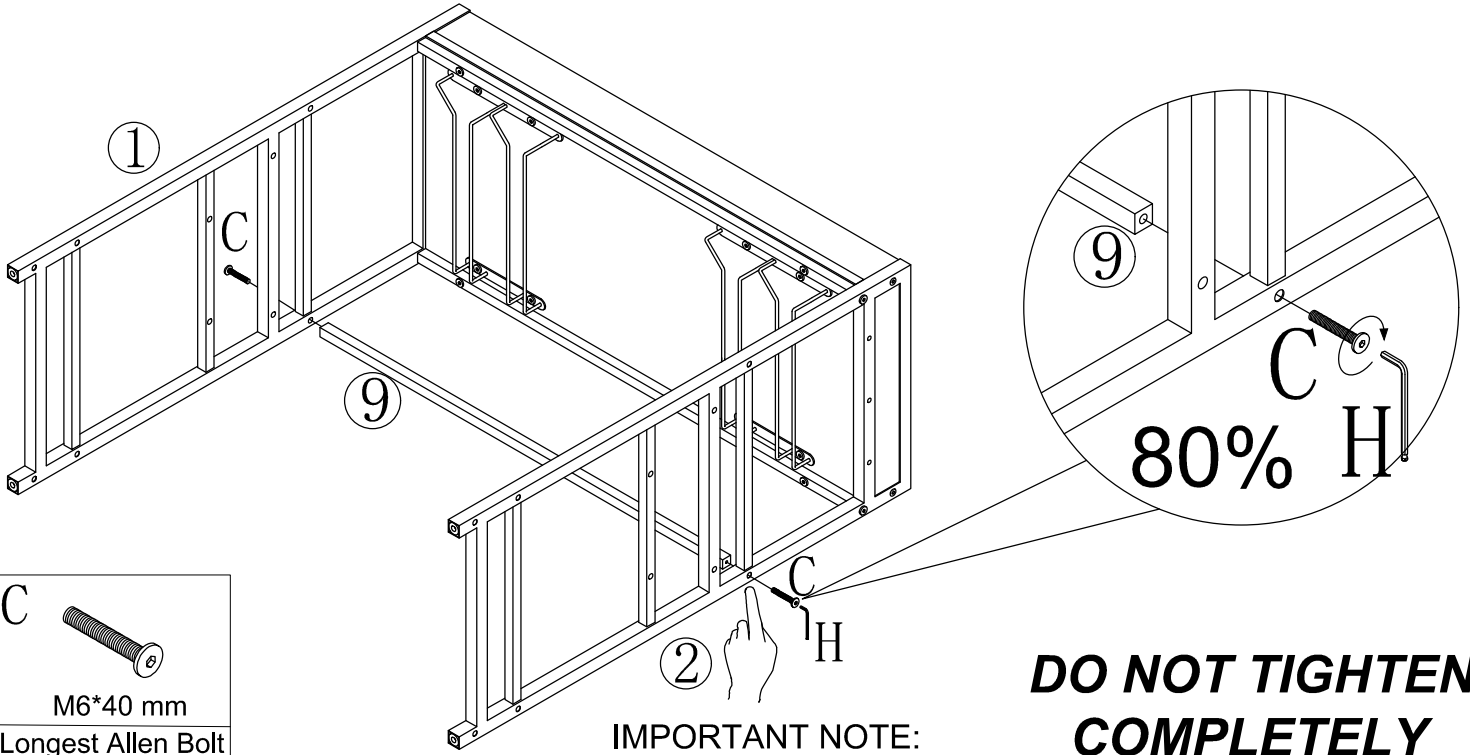
DO NOT TIGHTEN COMPLETELY



Step 11

Important Note: To avoid incorrect assembly, please follow our steps strictly. (Need Help: service@bon-augure.com)

✂ Attached 1 pc rail (⑨) to left leg frame (①) and right leg frame (②). Fix by using 2 pcs longest allen bolts (C) and allen key (H). **DO NOT TIGHTEN COMPLETELY.** Stop when you feel you are adding force to tighten the bolt.



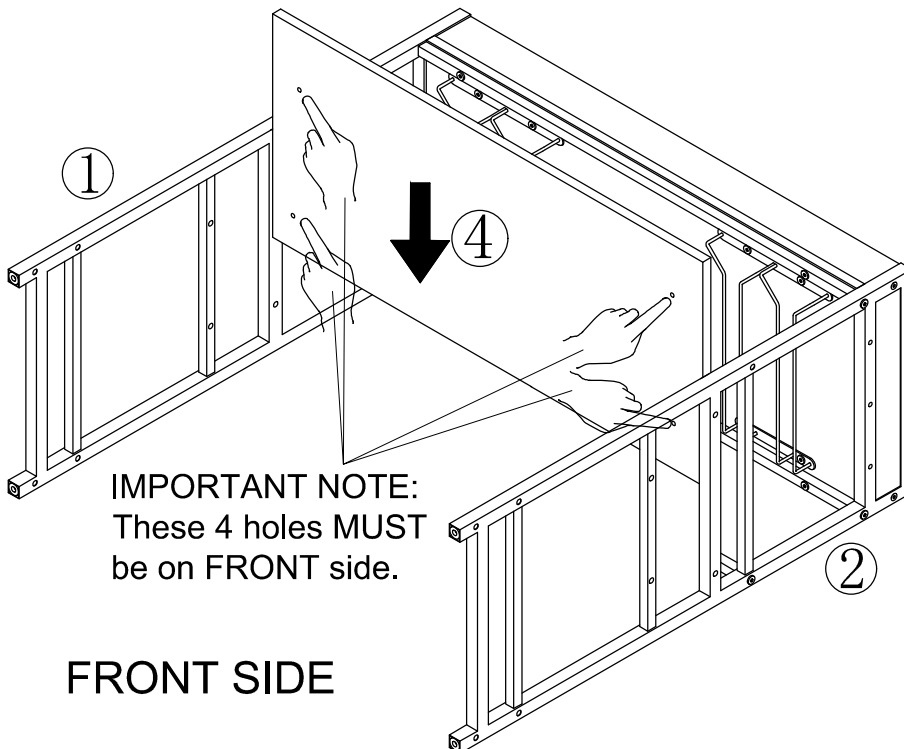
IMPORTANT NOTE:
The rail (⑨) MUST be attached to bottom hole.

DO NOT TIGHTEN COMPLETELY

Step 12

Important Note: To avoid incorrect assembly, please follow our steps strictly. (Need Help: service@bon-augure.com)

✂ Insert 1 pc mid-shelf (④) to left leg frame (①) and right leg frame (②).



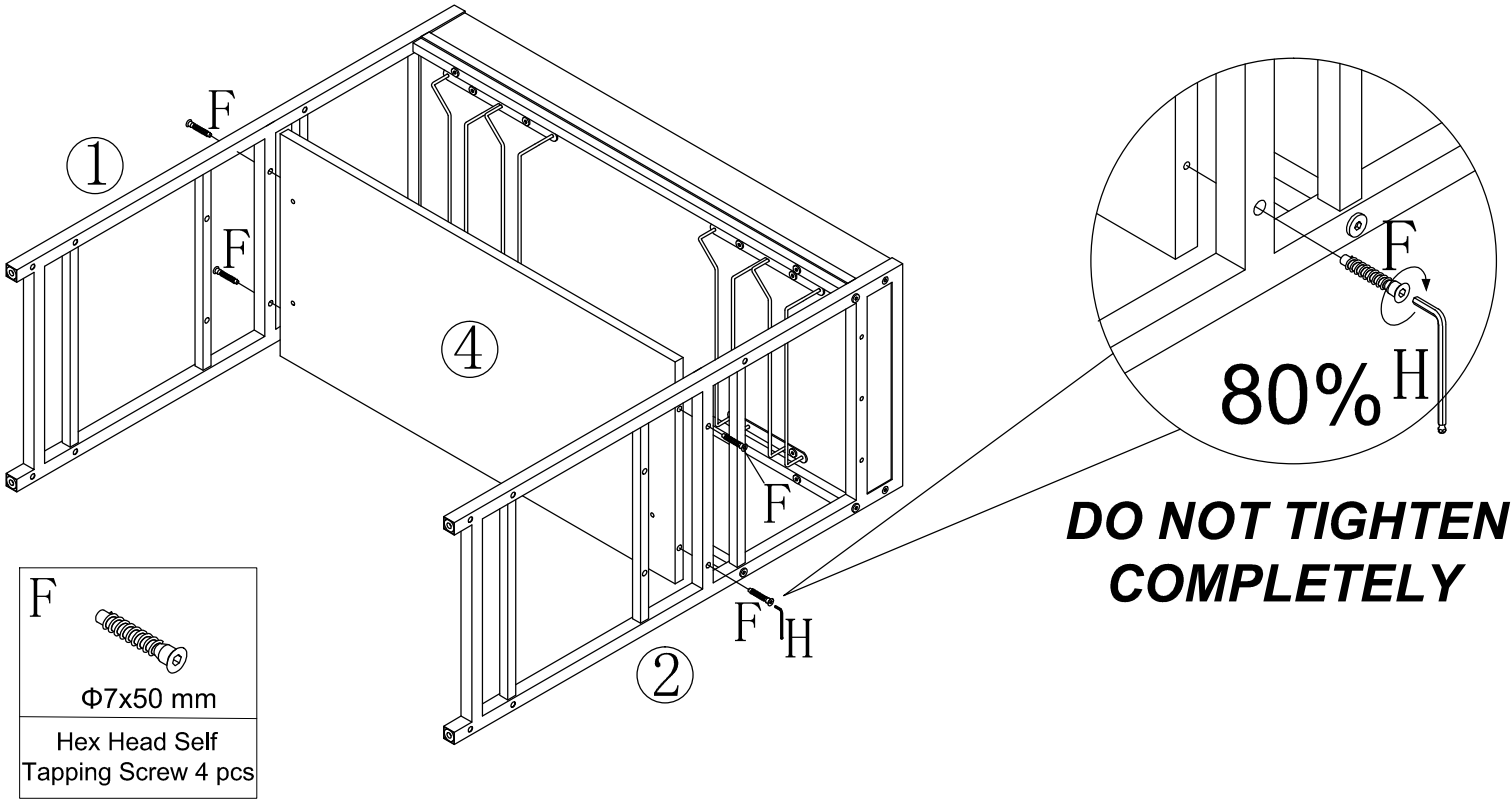
IMPORTANT NOTE:
These 4 holes MUST be on FRONT side.

FRONT SIDE

Step 13

Important Note: To avoid incorrect assembly, please follow our steps strictly. (Need Help: service@bon-augure.com)

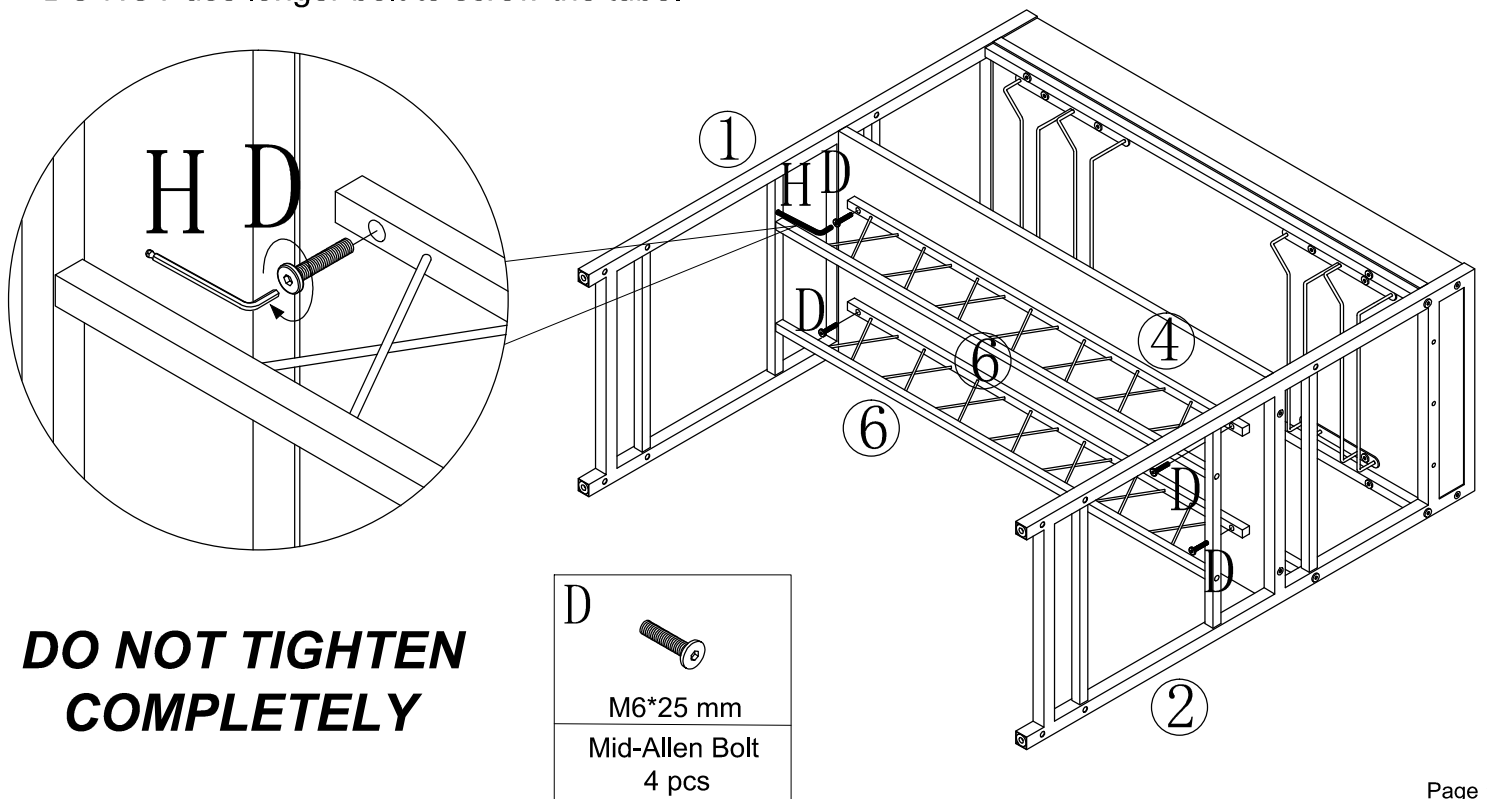
✚ Attached mid-shelf (④) to left leg frame (①) and right leg frame (②), fix by using 4 pcs hex head self tapping screw (F) and allen key (H). **DO NOT TIGHTEN COMPLETELY.** Stop when you feel you are adding force to tighten the bolt.



Step 14

Important Note: To avoid incorrect assembly, please follow our steps strictly. (Need Help: service@bon-augure.com)

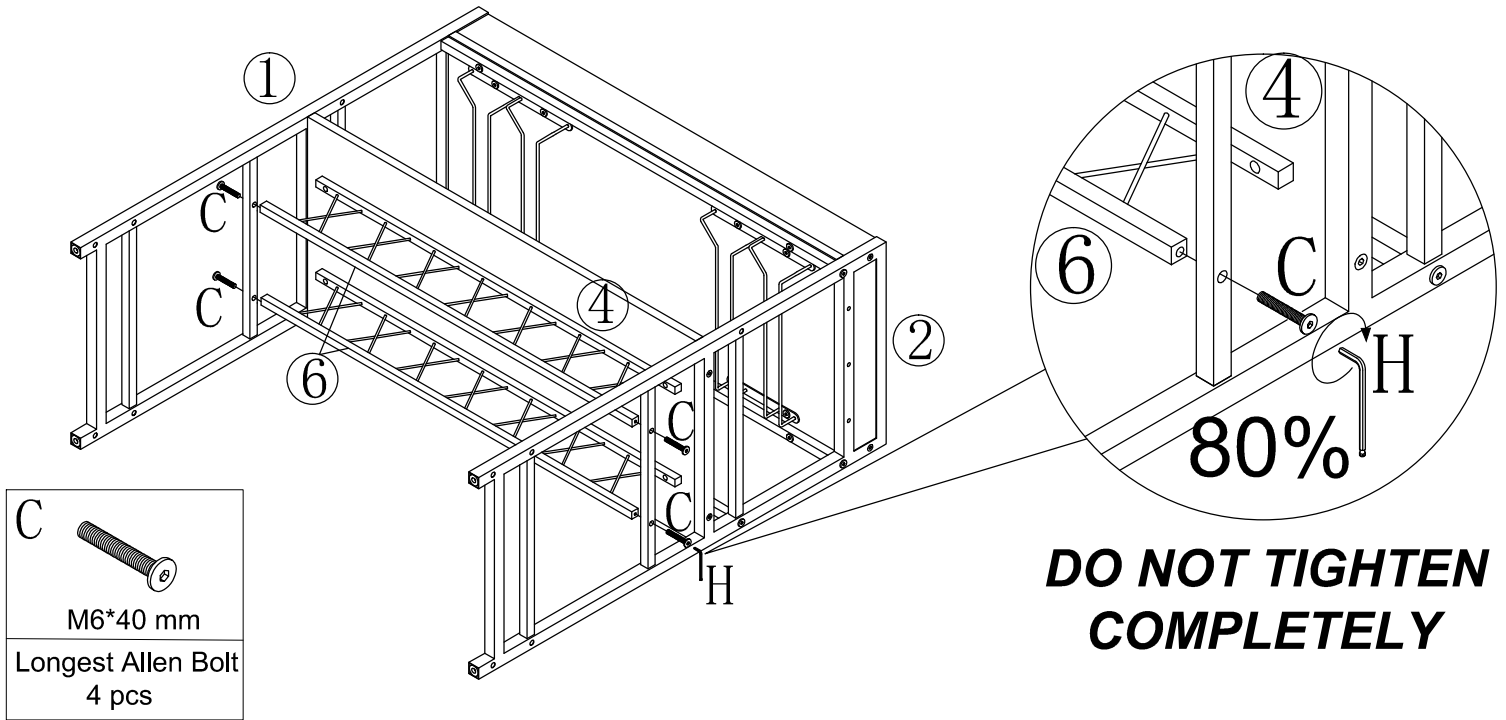
✚ Attach 2 pcs wine rack (⑥) to mid-shelf (④), fix by using 4 pcs mid-allen bolt (D) and allen key (H). **NOTE:** Attach wine rack's shorter end to mid-shelf (④). The length of mid-allen bolt (D) is 25mm, **DO NOT** use longer bolt to screw the tube.



Step 15

Important Note: To avoid incorrect assembly, please follow our steps strictly. (Need Help: service@bon-augure.com)

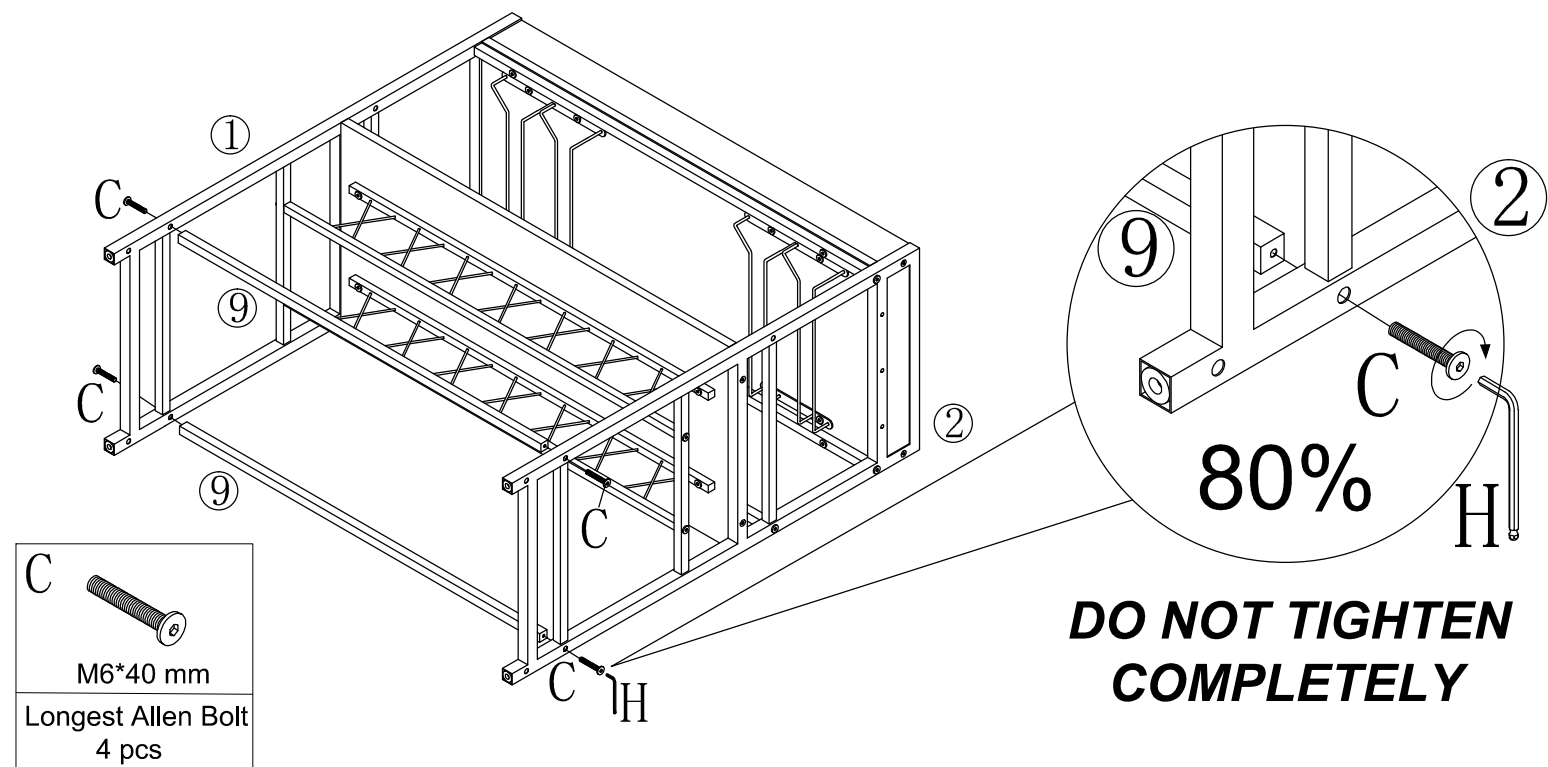
✎ Attach 2 pcs wine rack (⑥) to left leg frame (①) and right leg frame (②), fix by using 4 pcs longest allen bolt (C) and allen key (H). DO NOT TIGHTEN COMPLETELY. Stop when you feel you are adding force to tighten the bolt.



Step 16

Important Note: To avoid incorrect assembly, please follow our steps strictly. (Need Help: service@bon-augure.com)

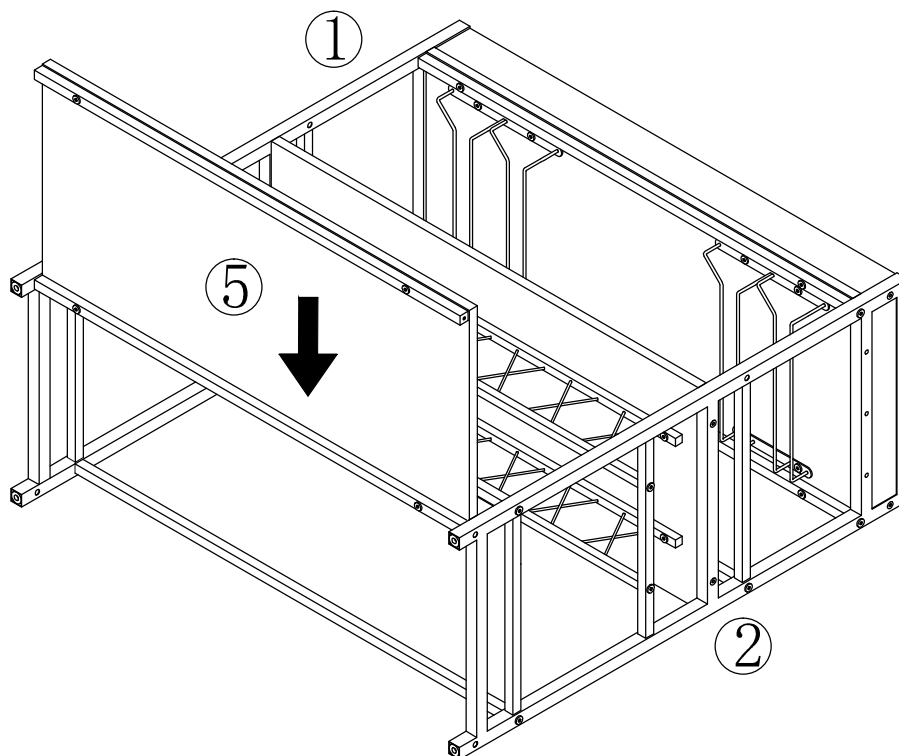
✎ Attached 2 pcs rail (⑨) to left leg frame (①) and right leg frame (②). Fix by using 4 pcs longest allen bolts (C) and allen key (H). DO NOT TIGHTEN COMPLETELY. Stop when you feel you are adding force to tighten the bolt.



Step 17

Important Note: To avoid incorrect assembly, please follow our steps strictly. (Need Help: service@bon-augure.com)

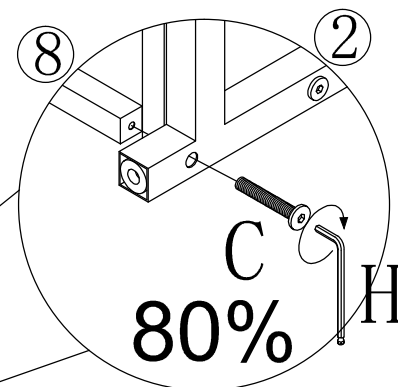
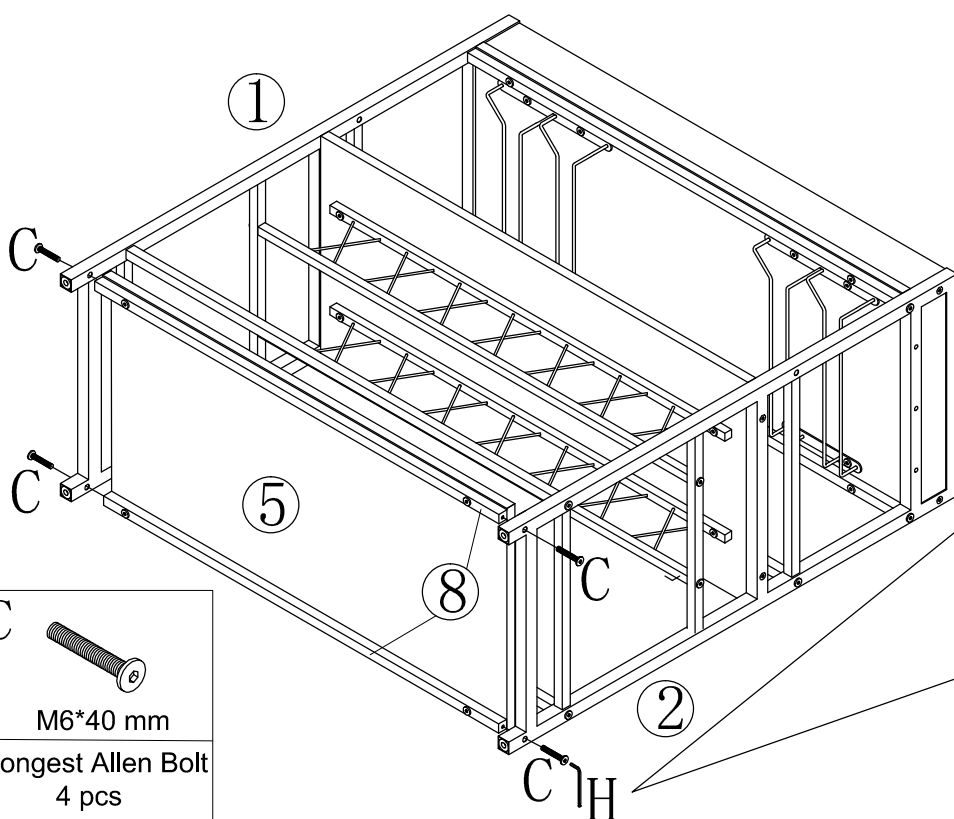
🔧 Insert bottom shelf (⑤) to left leg frame (①) and right leg frame (②).



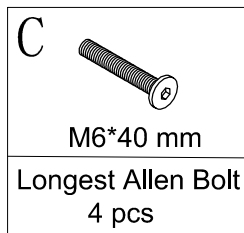
Step 18

Important Note: To avoid incorrect assembly, please follow our steps strictly. (Need Help: service@bon-augure.com)

🔧 Then fix support tubes (⑧) to left & right leg (①&②) by using 4 pcs longest allen bolts (C) and allen key (H). **DO NOT TIGHTEN COMPLETELY.** Stop when you feel you are adding force to tighten the bolt.



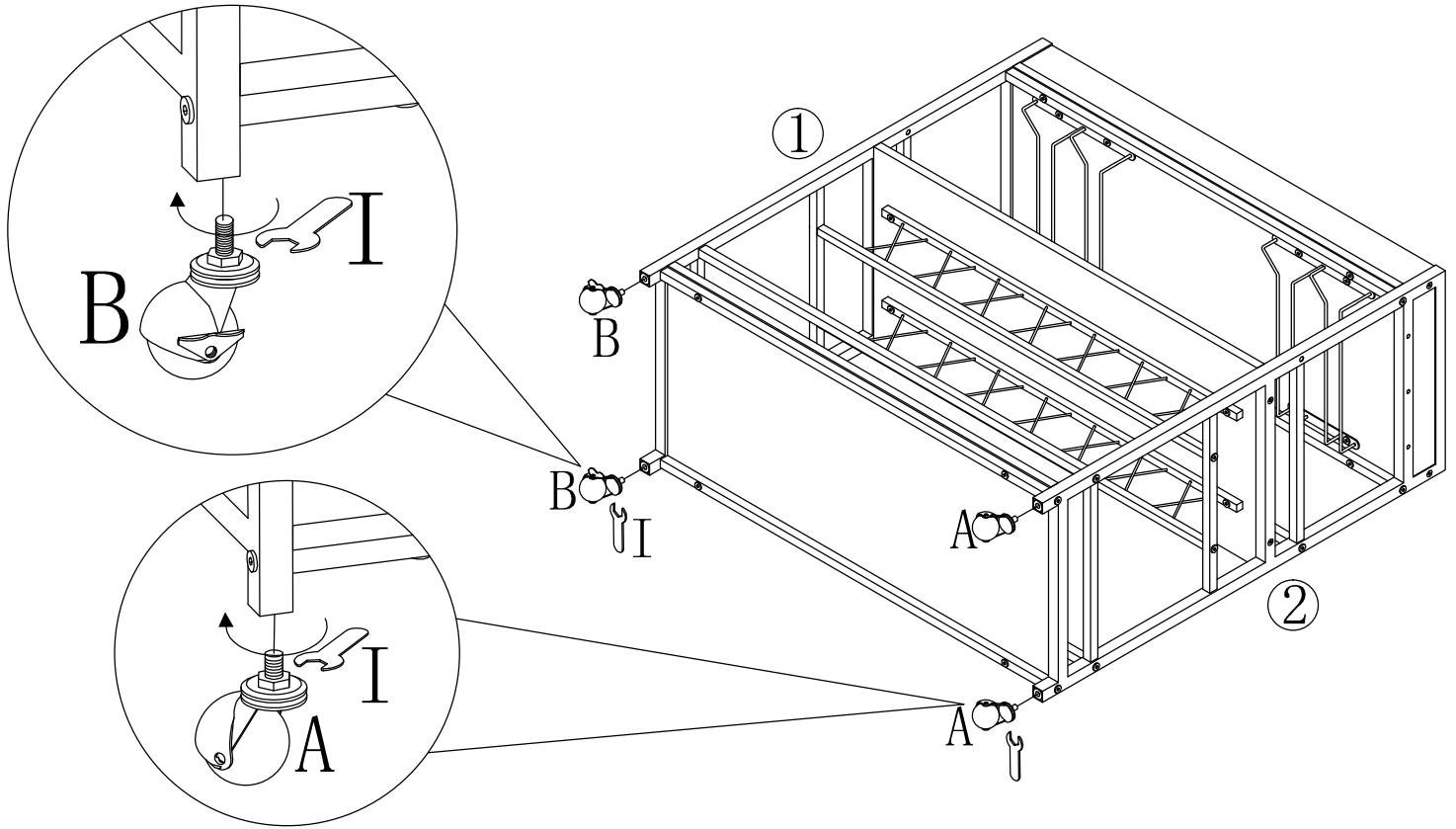
DO NOT TIGHTEN COMPLETELY



Step 19

Important Note: To avoid incorrect assembly, please follow our steps strictly. (Need Help: service@bon-augure.com)

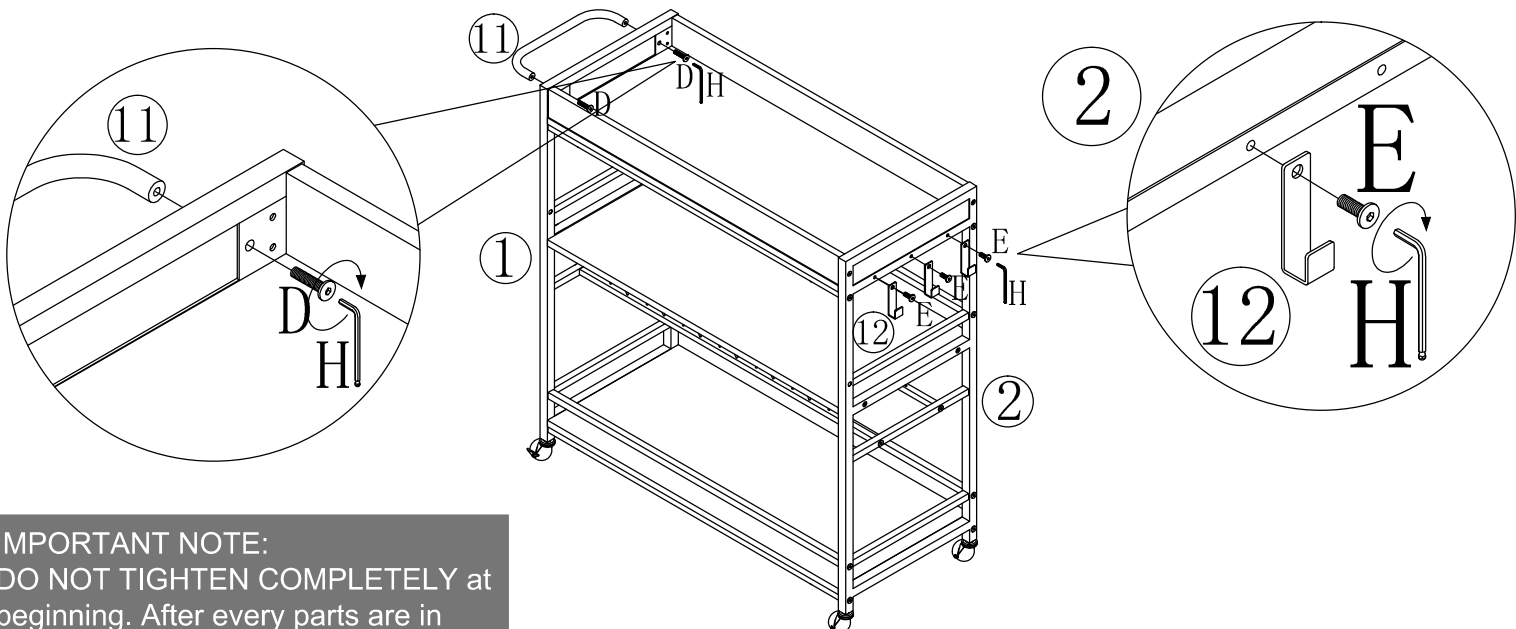
✦ Attach 2 pcs wheels (with brake) (B) to left leg frame (①), fully tighten by using wrench (I). Attach 2 pcs wheels (without brake) (A) to right leg frame (②), fully tighten by using wrench (I).



Step 20

Important Note: To avoid incorrect assembly, please follow our steps strictly. (Need Help: service@bon-augure.com)

✦ Flip bar cart up, and attach handle (⑪) to left leg frame (①), fix by using 2 pcs mid-allen bolt (D) and allen key (H). Then attach 3 pcs hook (⑫) to right leg frame (②), fix by using 3 pcs shortest allen bolt (E) and allen key (H). DO NOT TIGHTEN COMPLETELY at the beginning. After all parts are in place, then you can fully tighten all the bolts and screws (C&D&E&F).

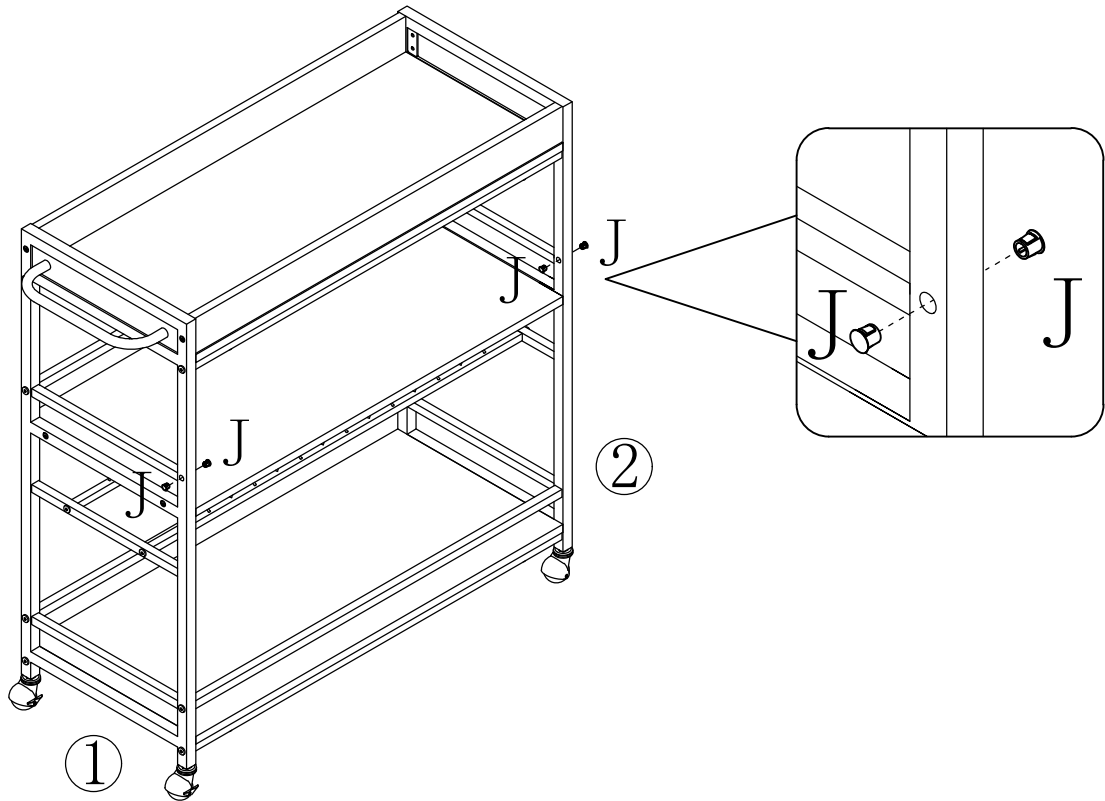


IMPORTANT NOTE:
DO NOT TIGHTEN COMPLETELY at beginning. After every parts are in place, then you can fully tighten all the bolts and screws (C&D&E&F).

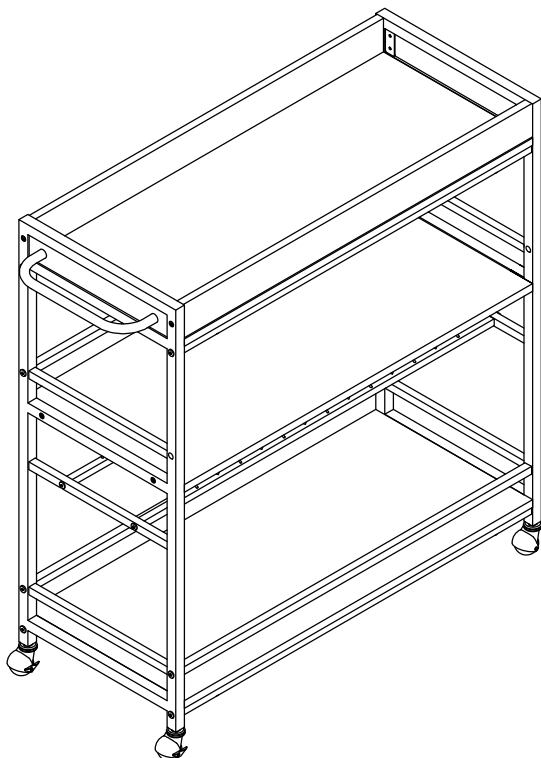
Step 21

Important Note: To avoid incorrect assembly, please follow our steps strictly. (Need Help: service@bon-augure.com)

📌 After assembly is completed, you can cover these holes on the leg frame (①&②) by using hole covers (J) for better appearance.



Important note: If you find the holes do not align together, you can loosen all the screws, and adjust the holes slightly. After all the holes were aligned together, you can fully tighten all the screws.



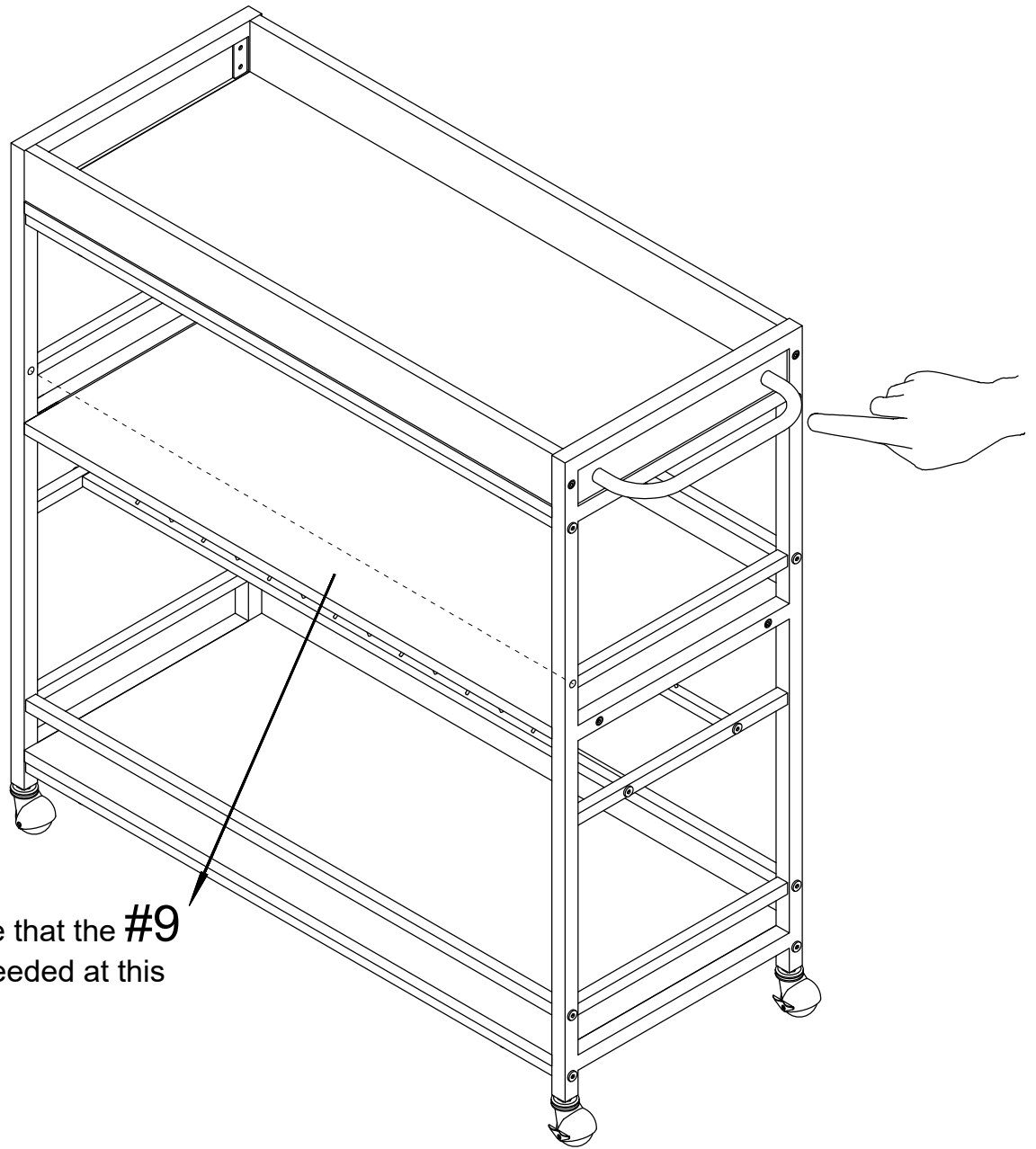
Finish Assembly

📌 If you have any questions with our products, please do not hesitate to contact us at any time.

Our email address is
service@bon-augure.com

We will reply your email within 24 hours.

Assembly Steps for Assembling on RIGHT Side



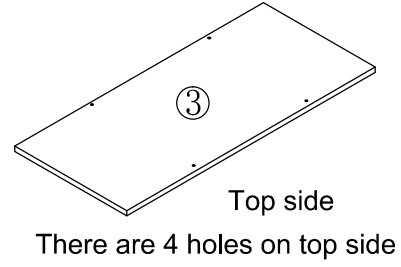
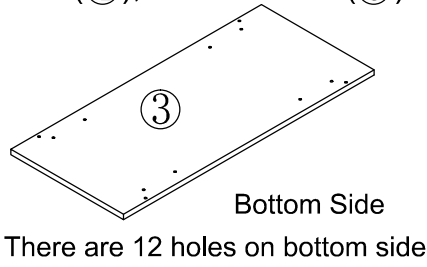
Please note that the **#9** rail is not needed at this position.

If you would like to assemble the handle on RIGHT side, please follow instructions from page 17 to page 28.

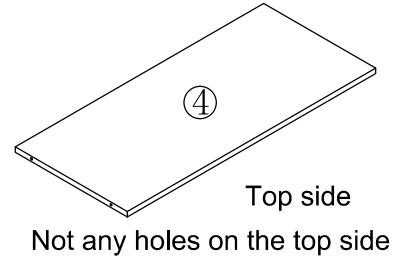
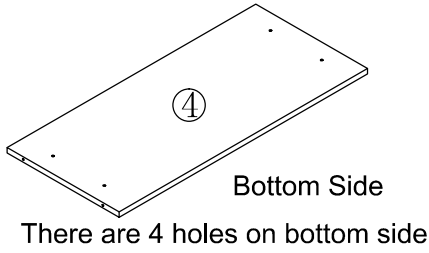
Step 1 Important Note: To avoid incorrect assembly, please follow our steps strictly. (Need Help: service@bon-augure.com)

🔑 Distinguish table top (③), mid-shelf (④), bottom shelf (⑤) first. We've stuck labels on each board, but some of labels may fall off when unpack the package. Below is another way to distinguish top shelf (③), mid-shelf (④), bottom shelf (⑤).

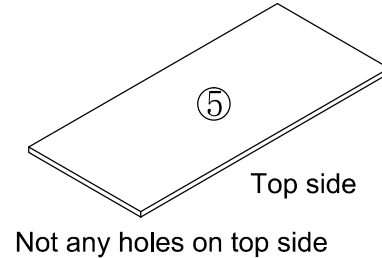
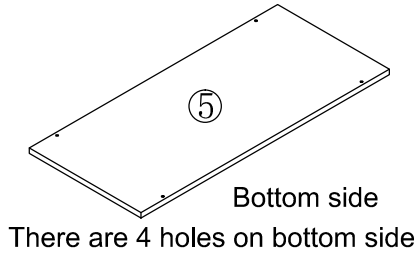
Top shelf ③



Mid shelf ④



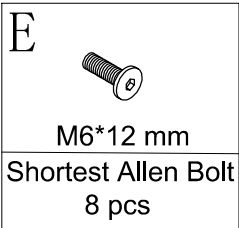
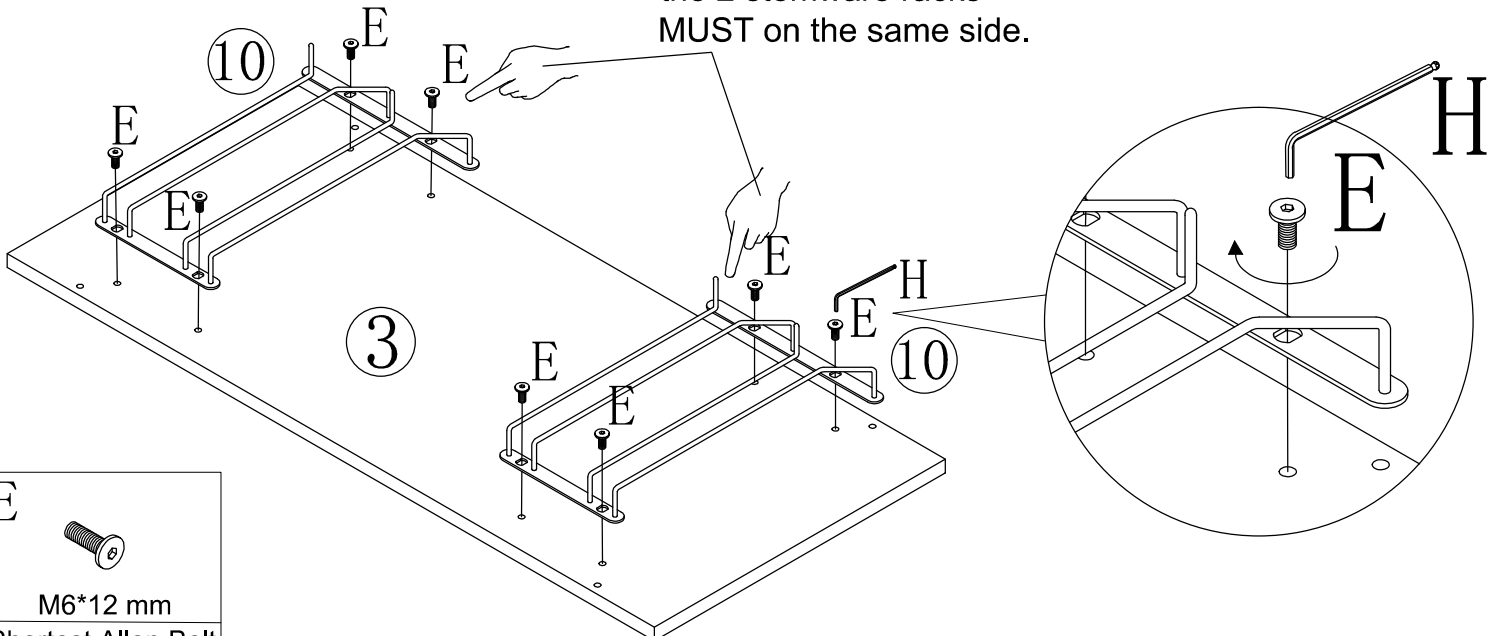
Bottom shelf ⑤



Step 2 Important Note: To avoid incorrect assembly, please follow our steps strictly. (Need Help: service@bon-augure.com)

🔑 Align 2 pcs stemware rack (⑩) to the bottom of top shelf (③). Then fully tighten by using 8 pcs shortest allen bolts (E) and allen key (H).

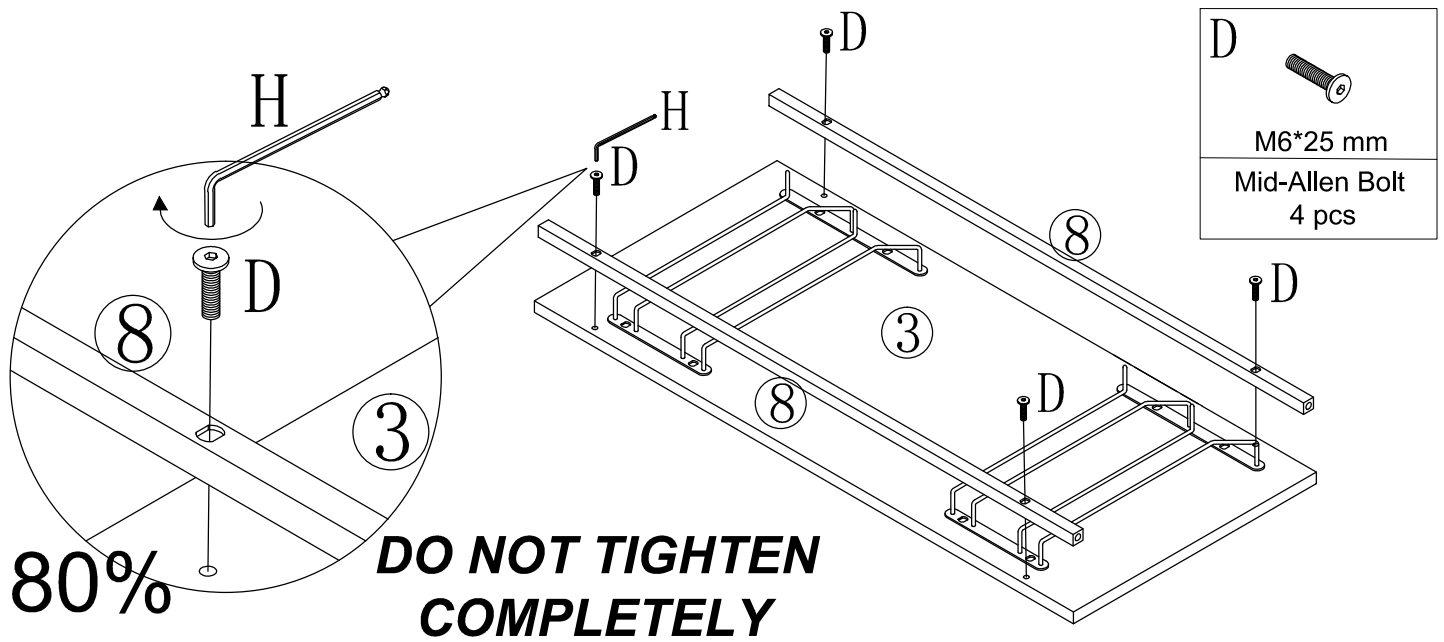
NOTE: The wider end of the 2 stemware racks MUST on the same side.



Step 3

Important Note: To avoid incorrect assembly, please follow our steps strictly. (Need Help: service@bon-augure.com)

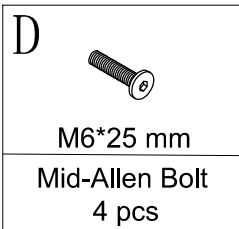
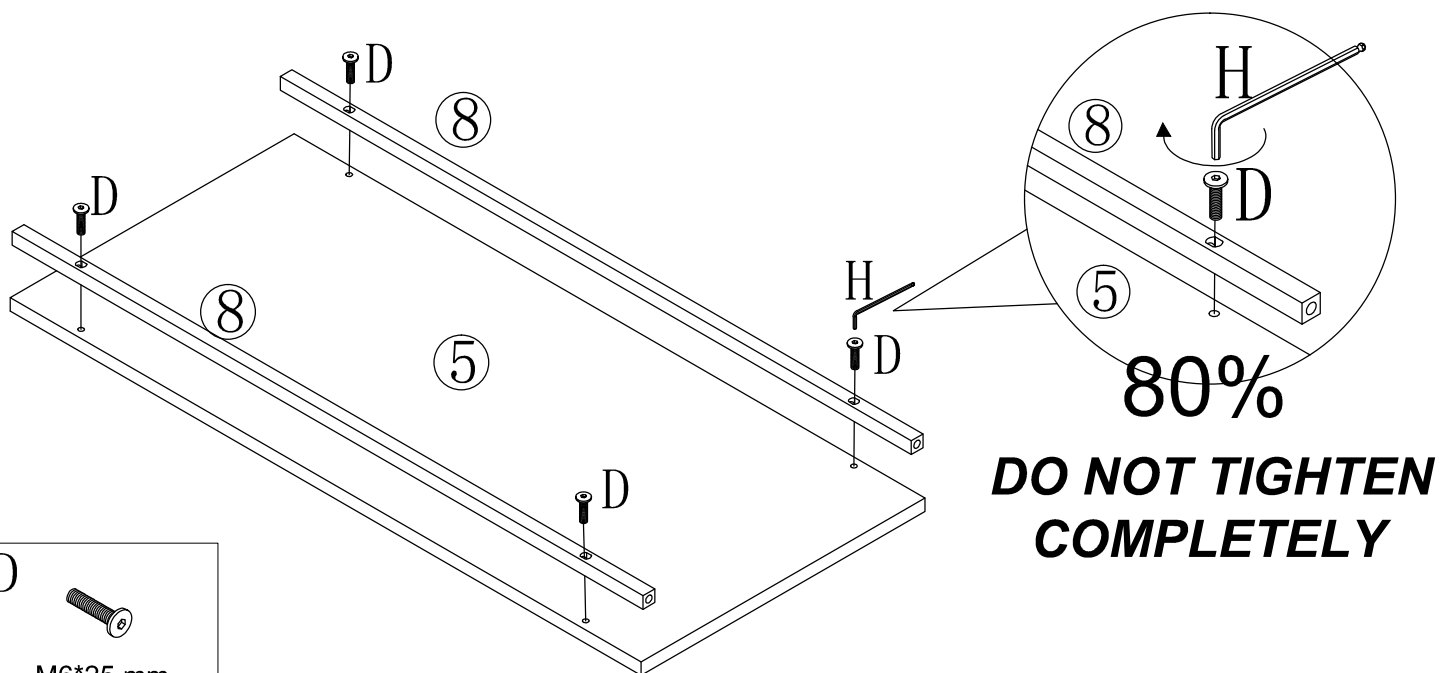
⌘ Attach 2 pcs support tube (⑧) to top shelf (③), fix by using 4 pcs mid-allen bolts (D) and allen key (H). **DO NOT TIGHTEN COMPLETELY.** Stop when you feel you are adding force to tighten the bolt. NOTE: The length of mid-allen bolt (D) is 25mm, **DO NOT** use longer bolt to screw the tube.



Step 4

Important Note: To avoid incorrect assembly, please follow our steps strictly. (Need Help: service@bon-augure.com)

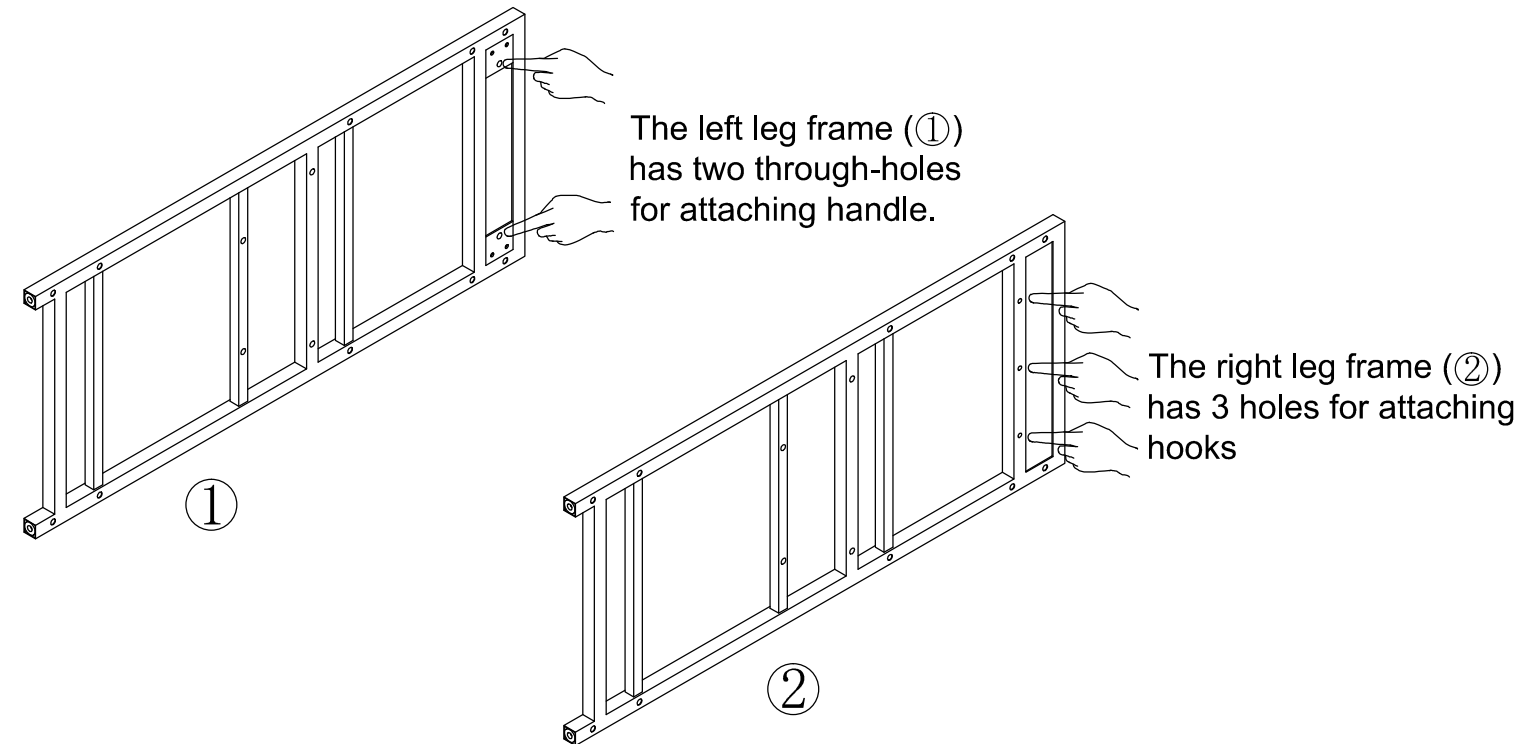
⌘ Attach 2 pcs support tube (⑧) to bottom shelf (⑤), fix by using 4 pcs mid-allen bolts (D) and allen key (H). **DO NOT TIGHTEN COMPLETELY.** Stop when you feel you are adding force to tighten the bolt. NOTE: The length of mid-allen bolt (D) is 25mm, **DO NOT** use longer bolt to screw the tube.



Step 5

Important Note: To avoid incorrect assembly, please follow our steps strictly. (Need Help: service@bon-augure.com)

✚ Distinguish left leg frame (①) and right leg frame (②) first. We've stucked labels on each leg frame, but some of labels may fall off when unpack the package. Below is another way to distinguish left leg frame (①) and right leg frame (②).

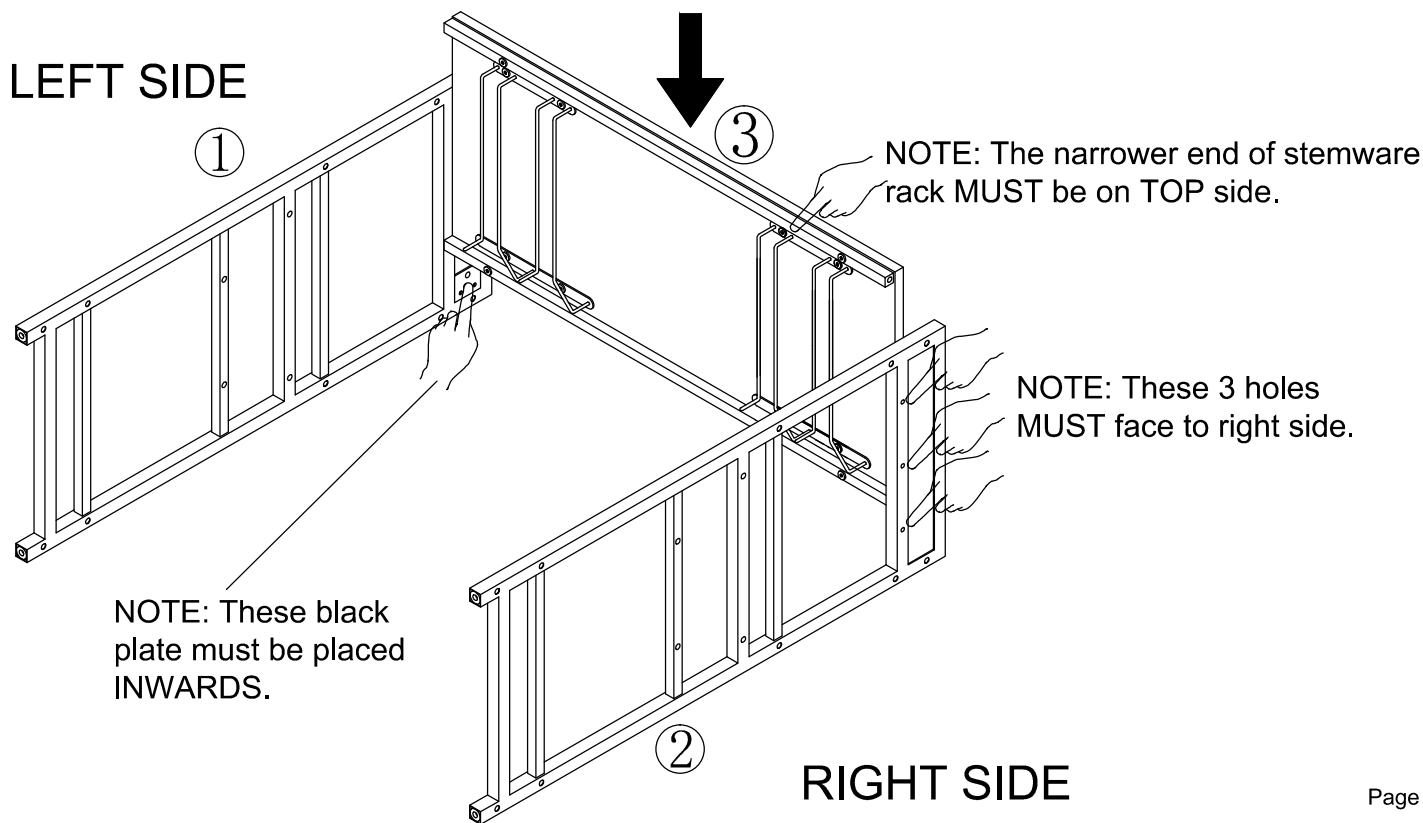


Step 6

Important Note: To avoid incorrect assembly, please follow our steps strictly. (Need Help: service@bon-augure.com)

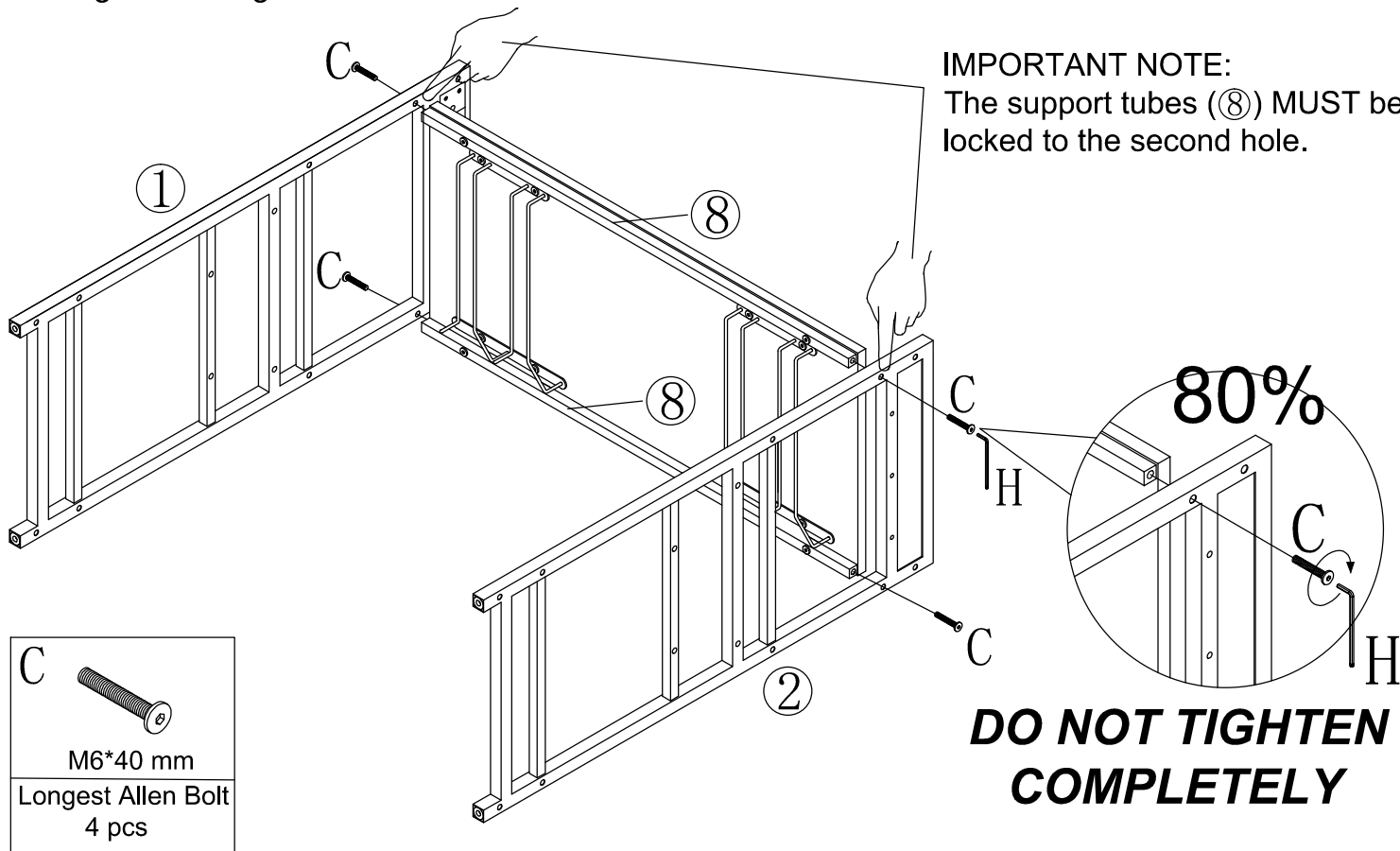
✚ Lay left leg frame (①) on the left and right leg frame (②) on the right. NOTE: The black plate of left leg frame (①) MUST face to RIGHT side. The 3 holes of right leg frame (②) MUST face to RIGHT.

✚ Then insert assembled top shelf (③) between left leg frame (①) and right leg frame (②).



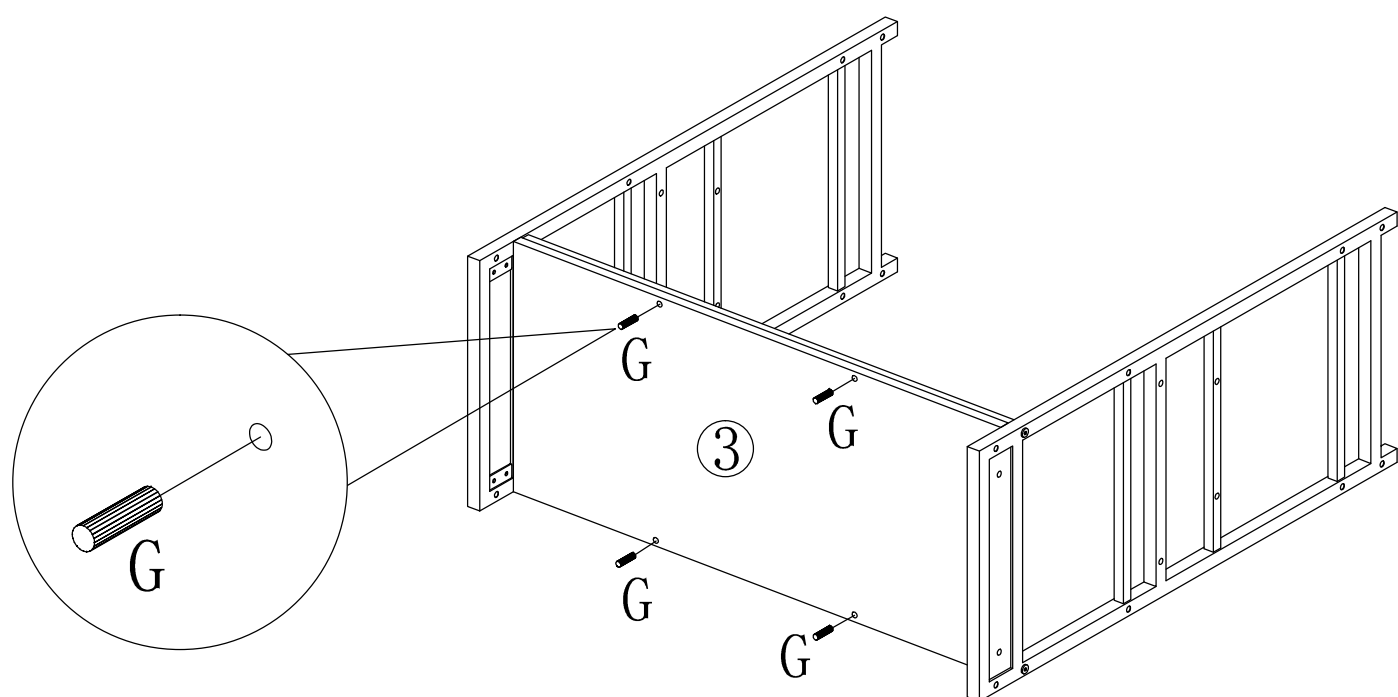
Step 7 Important Note: To avoid incorrect assembly, please follow our steps strictly. (Need Help: service@bon-augure.com)

✚ Attached support tubes (⑧) to left leg frame (①) and right leg frame (②), fix by using 4 pcs longest allen bolts (C) and allen key (H). **DO NOT TIGHTEN COMPLETELY.** Stop when you feel you are adding force to tighten the bolt.



Step 8 Important Note: To avoid incorrect assembly, please follow our steps strictly. (Need Help: service@bon-augure.com)

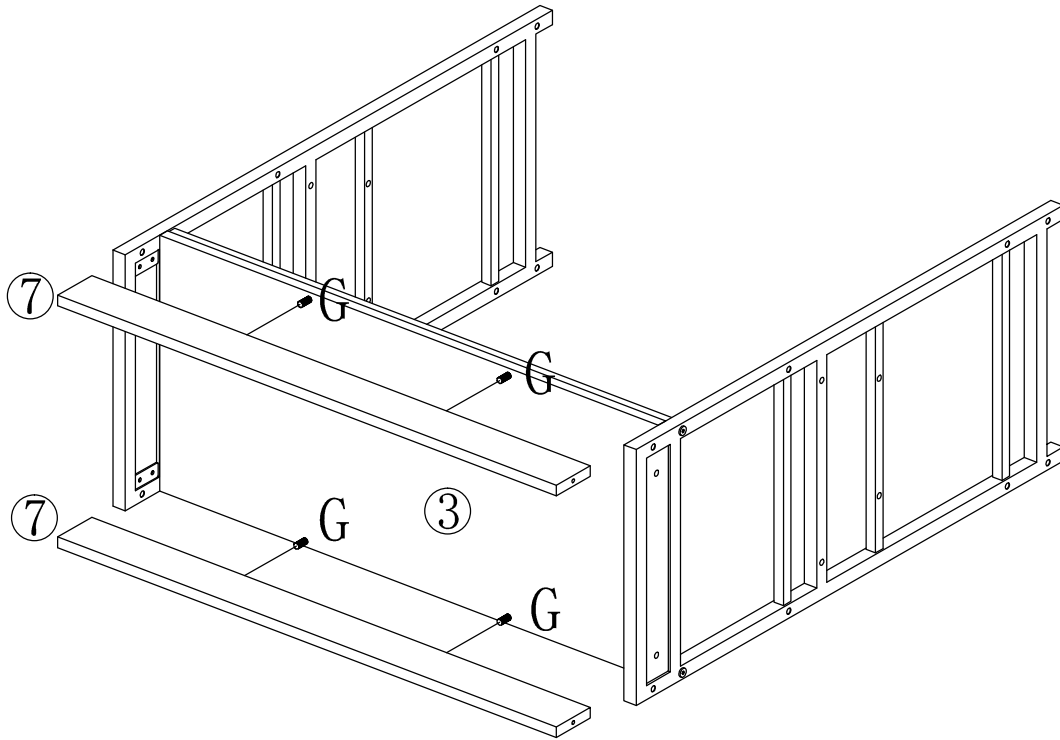
✚ Insert 4 pcs wood dowel (G) to top shelf (③).



Step 9

Important Note: To avoid incorrect assembly, please follow our steps strictly. (Need Help: service@bon-augure.com)

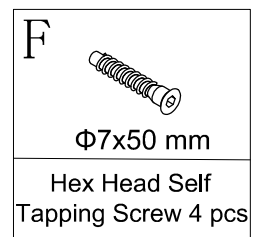
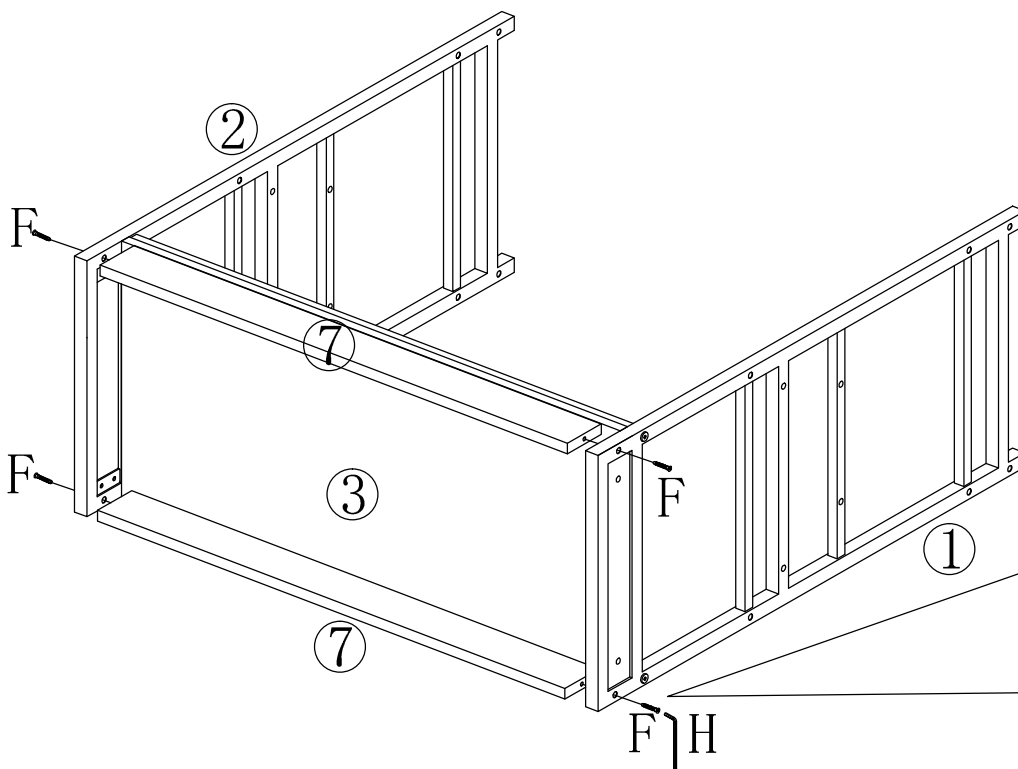
🔧 Insert 2 pcs anti-falling panel (⑦) to top shelf (③).



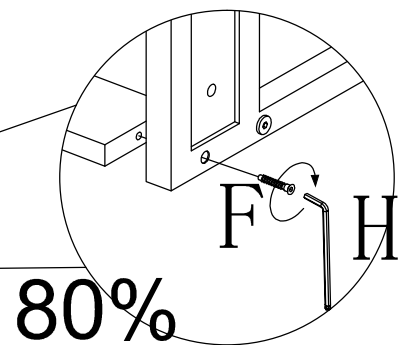
Step 10

Important Note: To avoid incorrect assembly, please follow our steps strictly. (Need Help: service@bon-augure.com)

🔧 Attached 2 pcs anti-falling panel (⑦) to left frame (①) and right leg frame (②). Fix by using 4 pcs hex head self tapping screw (F) and allen key (H). **DO NOT TIGHTEN COMPLETELY.** Stop when you feel you are adding force to tighten the bolt.



DO NOT TIGHTEN COMPLETELY



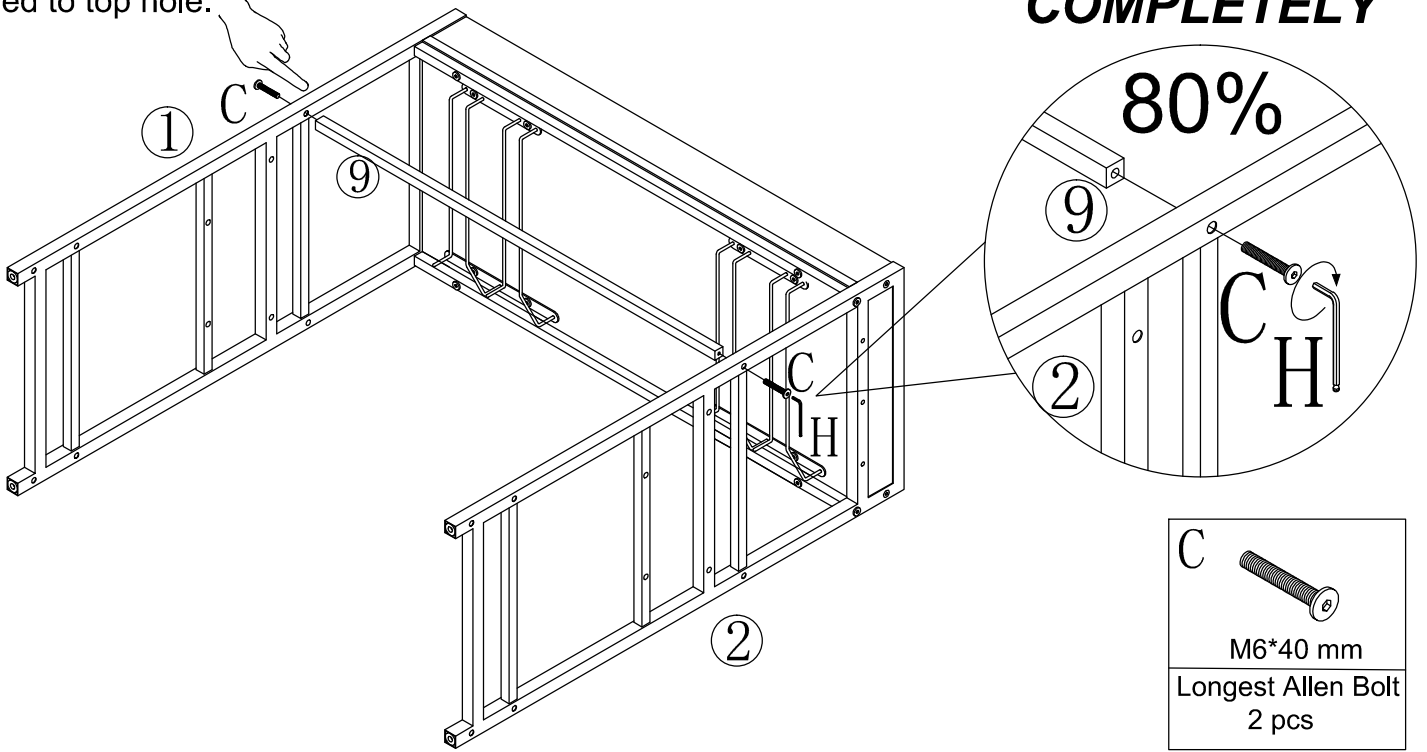
Step 11

Important Note: To avoid incorrect assembly, please follow our steps strictly. (Need Help: service@bon-augure.com)

🔧 Attached 1 pc rail (9) to the top of left leg frame (1) and right leg frame (2). Fix by using 2 pcs longest allen bolts (C) and allen key (H). DO NOT TIGHTEN COMPLETELY. Stop when you feel you are adding force to tighten the bolt.

IMPORTANT NOTE:
The rail (9) MUST be attached to top hole.

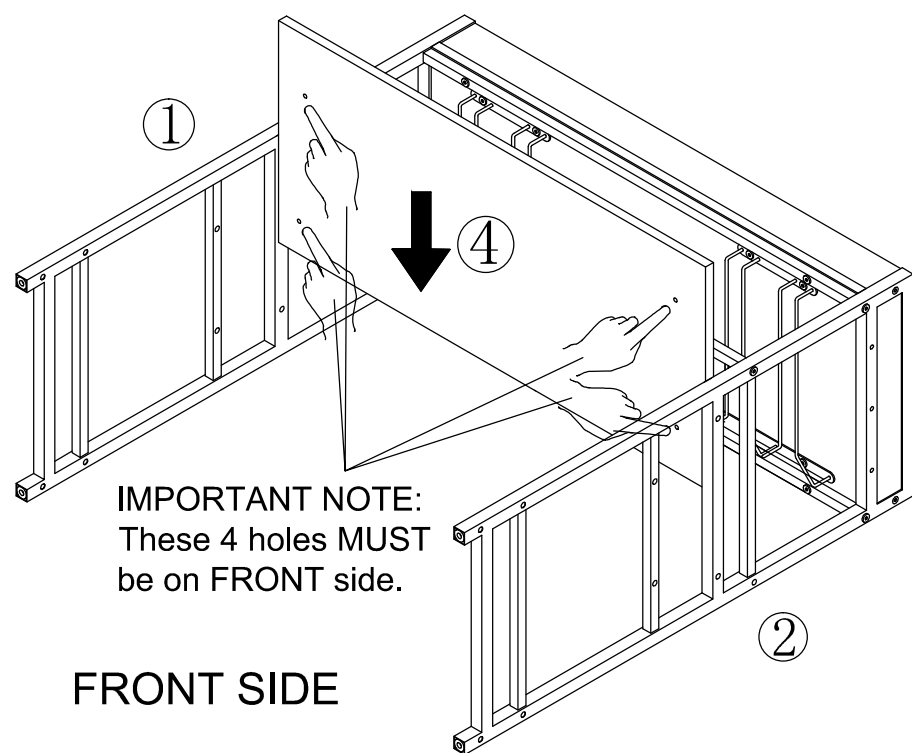
DO NOT TIGHTEN COMPLETELY



Step 12

Important Note: To avoid incorrect assembly, please follow our steps strictly. (Need Help: service@bon-augure.com)

🔧 Insert 1 pc mid-shelf (4) to left leg frame (1) and right leg frame (2).



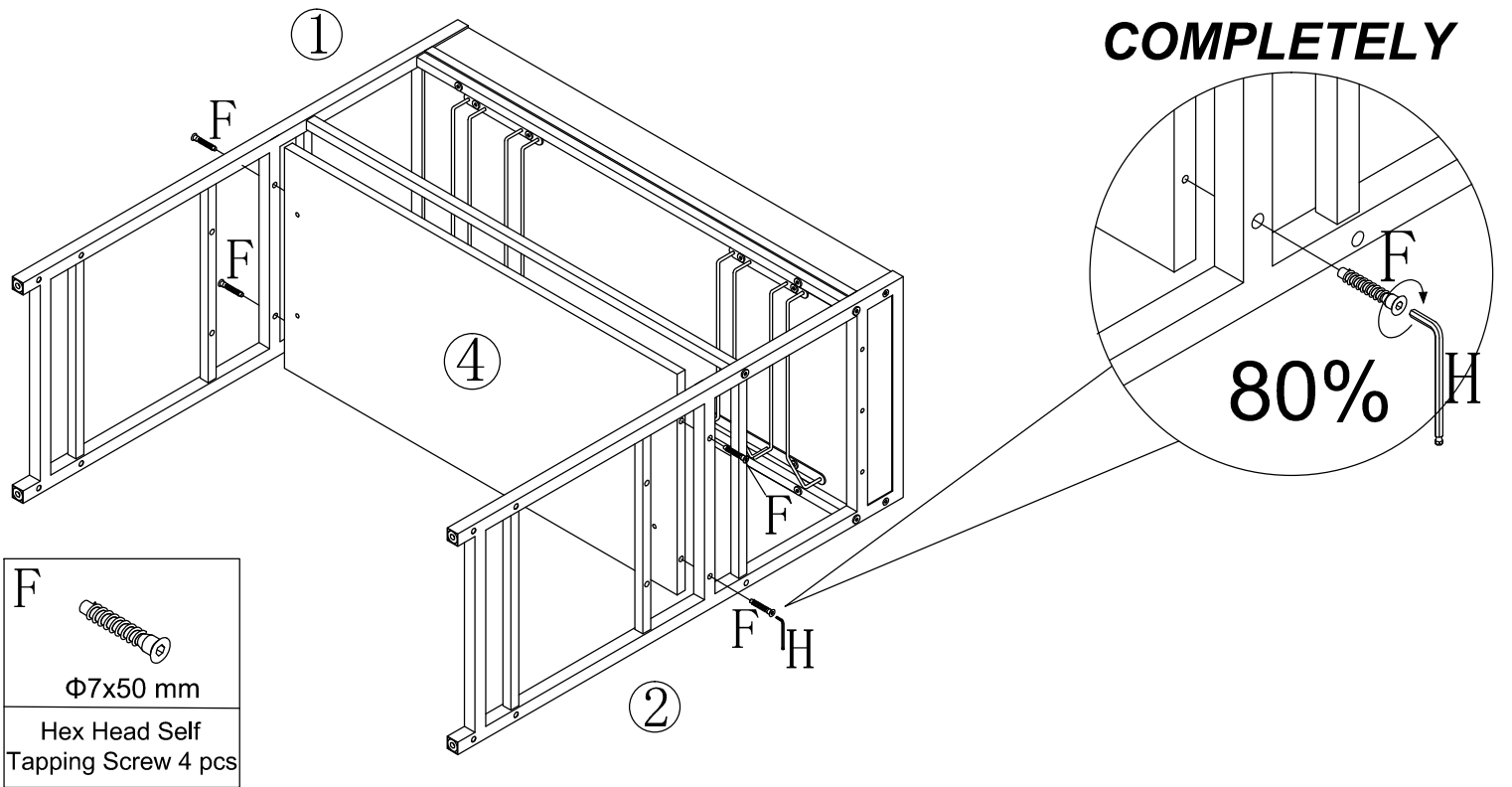
IMPORTANT NOTE:
These 4 holes MUST be on FRONT side.

FRONT SIDE

Step 13

Important Note: To avoid incorrect assembly, please follow our steps strictly. (Need Help: service@bon-augure.com)

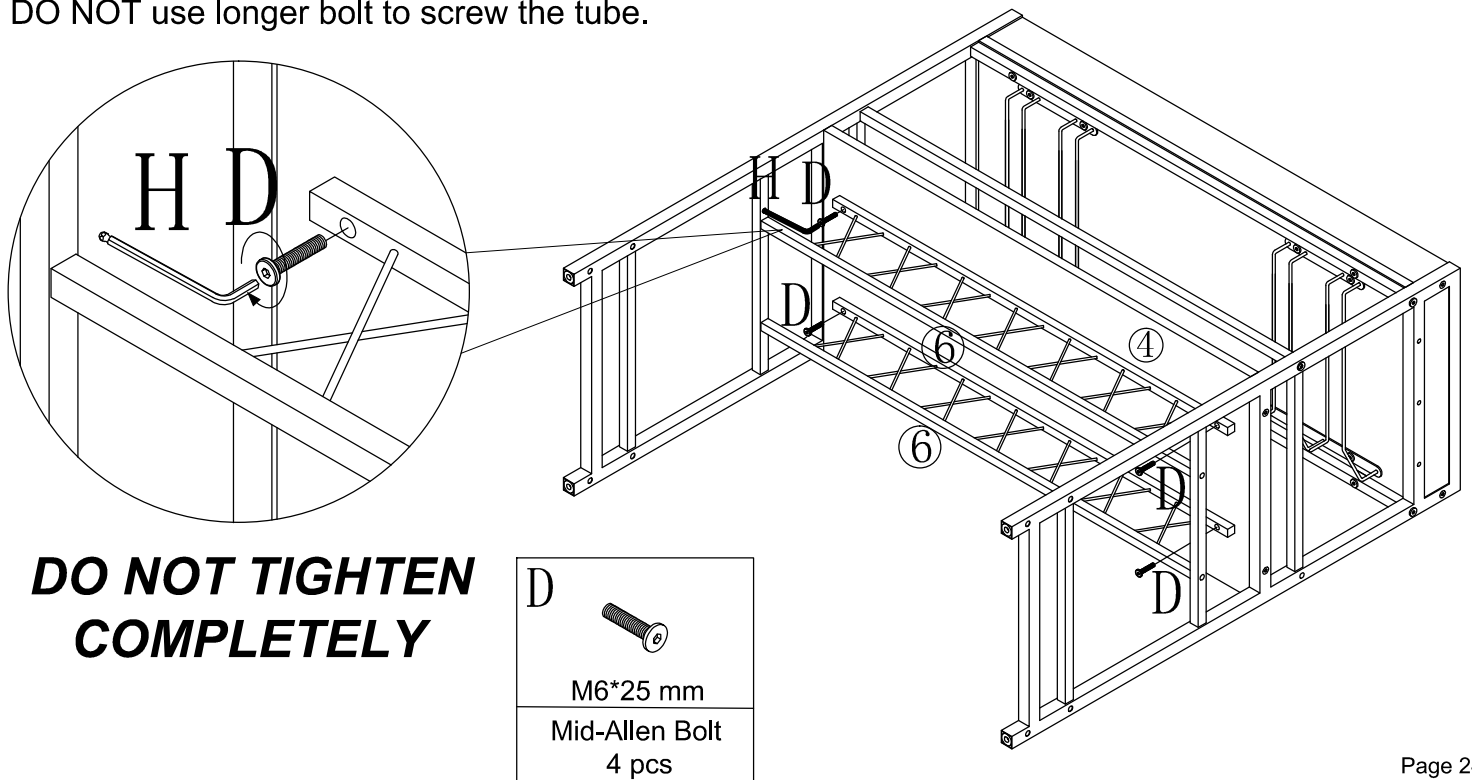
🔧 Attached mid-shelf (④) to left leg frame (①) and right leg frame (②), fix by using 4 pcs hex head self tapping screw (F) and allen key (H). **DO NOT TIGHTEN COMPLETELY.** Stop when you feel you are adding force to tighten the bolt.



Step 14

Important Note: To avoid incorrect assembly, please follow our steps strictly. (Need Help: service@bon-augure.com)

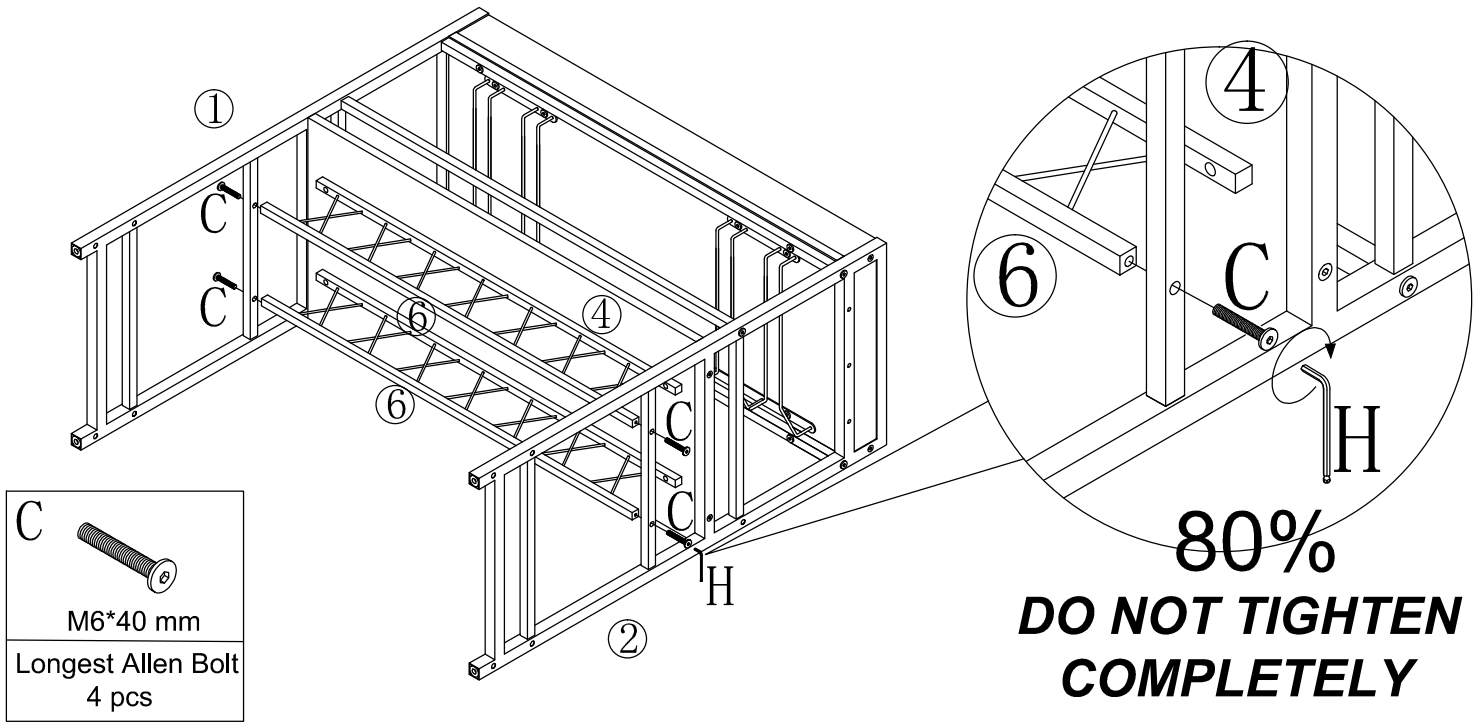
🔧 Attach 2 pcs wine rack (⑥) to mid-shelf (④), fix by using 4 pcs mid-allen bolt (D) and allen key (H). **NOTE:** Attach wine rack's shorter end to mid-shelf (④). The length of mid-allen bolt (D) is 25mm, **DO NOT** use longer bolt to screw the tube.



Step 15

Important Note: To avoid incorrect assembly, please follow our steps strictly. (Need Help: service@bon-augure.com)

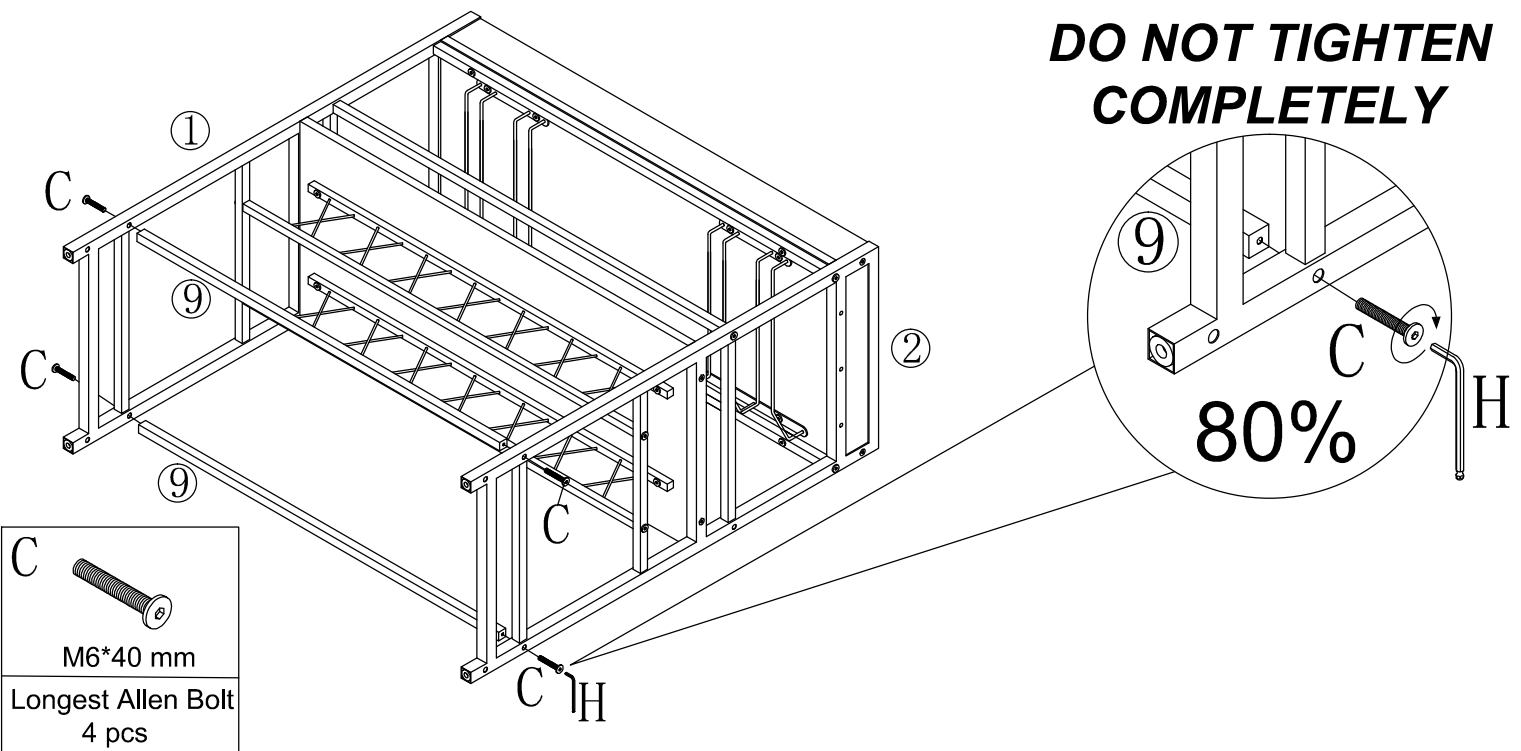
🔧 Attach 2 pcs wine rack (⑥) to left leg frame (①) and right leg frame (②), fix by using 4 pcs longest allen bolt (C) and allen key (H). DO NOT TIGHTEN COMPLETELY. Stop when you feel you are adding force to tighten the bolt.



Step 16

Important Note: To avoid incorrect assembly, please follow our steps strictly. (Need Help: service@bon-augure.com)

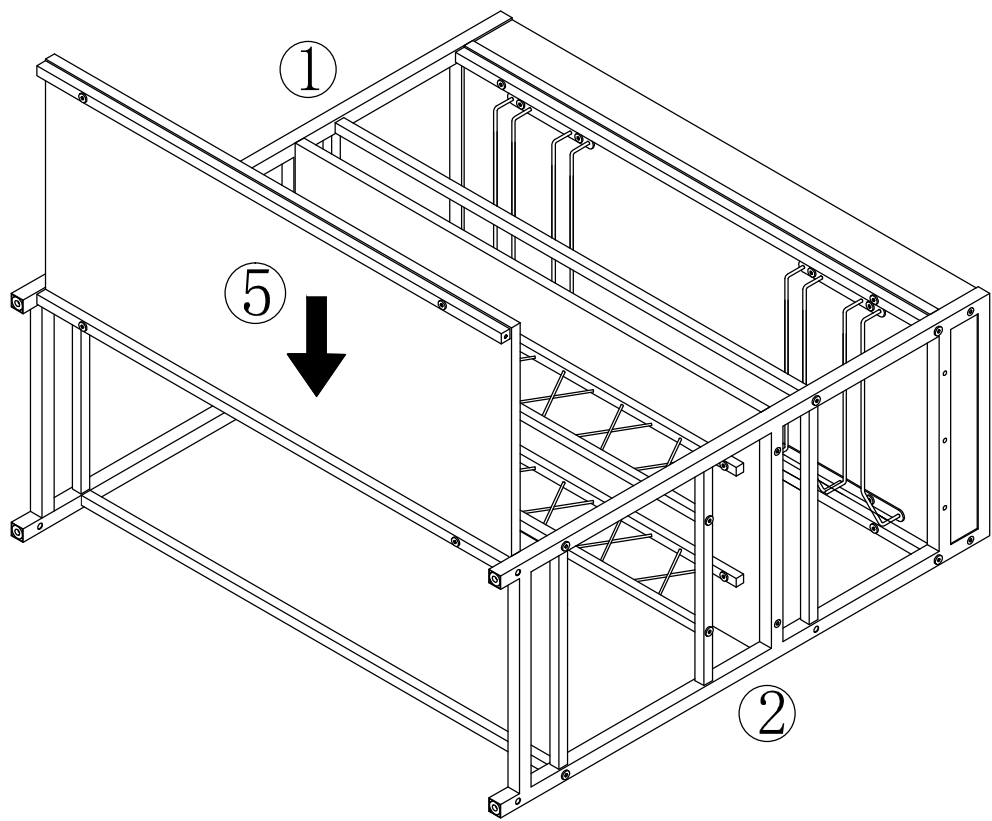
🔧 Attached 2 pcs rail (⑨) to left leg frame (①) and right leg frame (②). Fix by using 4 pcs longest allen bolts (C) and allen key (H). DO NOT TIGHTEN COMPLETELY. Stop when you feel you are adding force to tighten the bolt.



Step 17

Important Note: To avoid incorrect assembly, please follow our steps strictly. (Need Help: service@bon-augure.com)

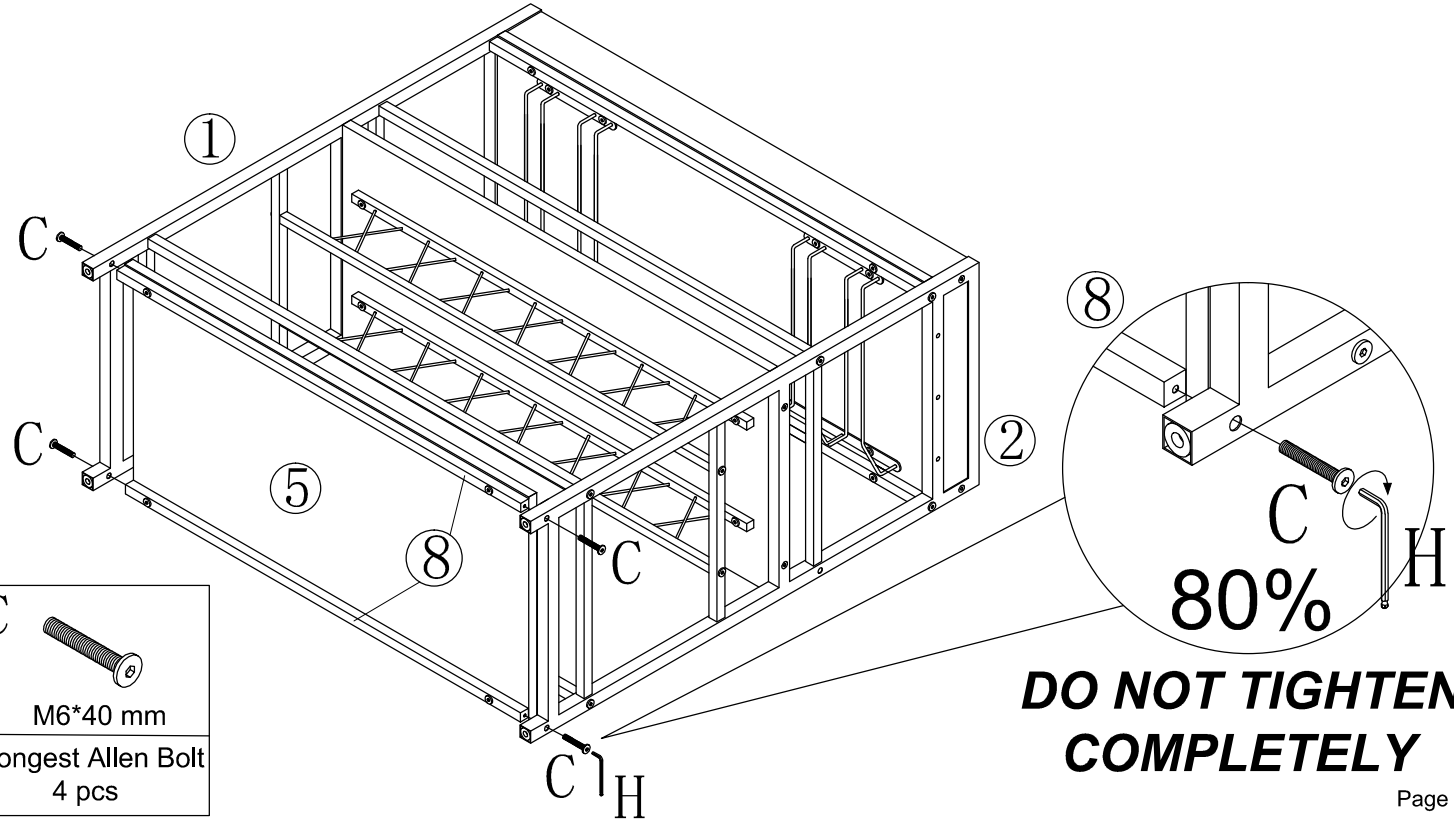
🔧 Insert bottom shelf (5) to left leg frame (1) and right leg frame (2).



Step 18

Important Note: To avoid incorrect assembly, please follow our steps strictly. (Need Help: service@bon-augure.com)

🔧 Then fix support tubes (8) to left & right leg (1 & 2) by using 4 pcs longest allen bolts (C) and allen key (H). **DO NOT TIGHTEN COMPLETELY.** Stop when you feel you are adding force to tighten the bolt.

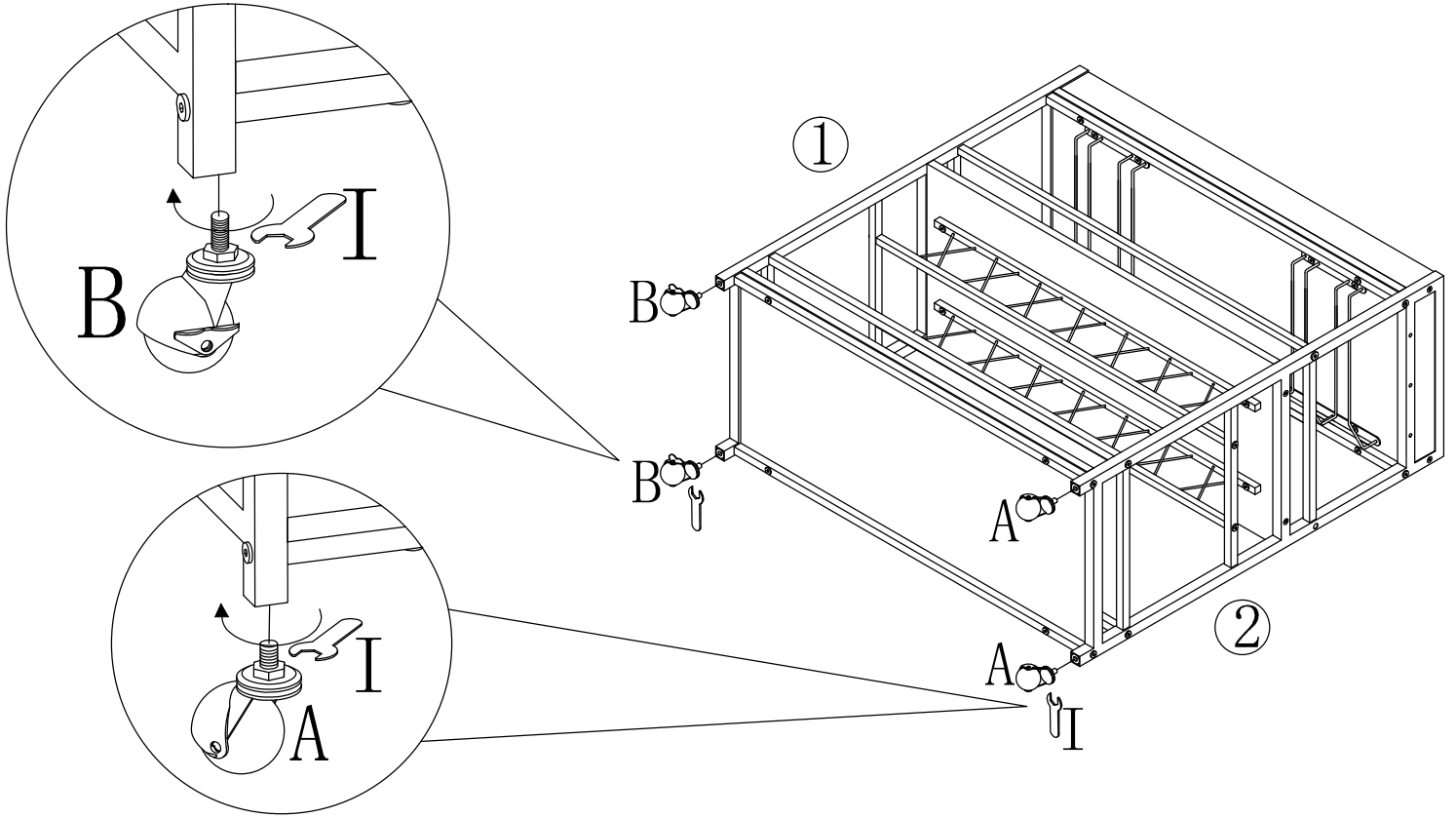


DO NOT TIGHTEN COMPLETELY

Step 19

Important Note: To avoid incorrect assembly, please follow our steps strictly. (Need Help: service@bon-augure.com)

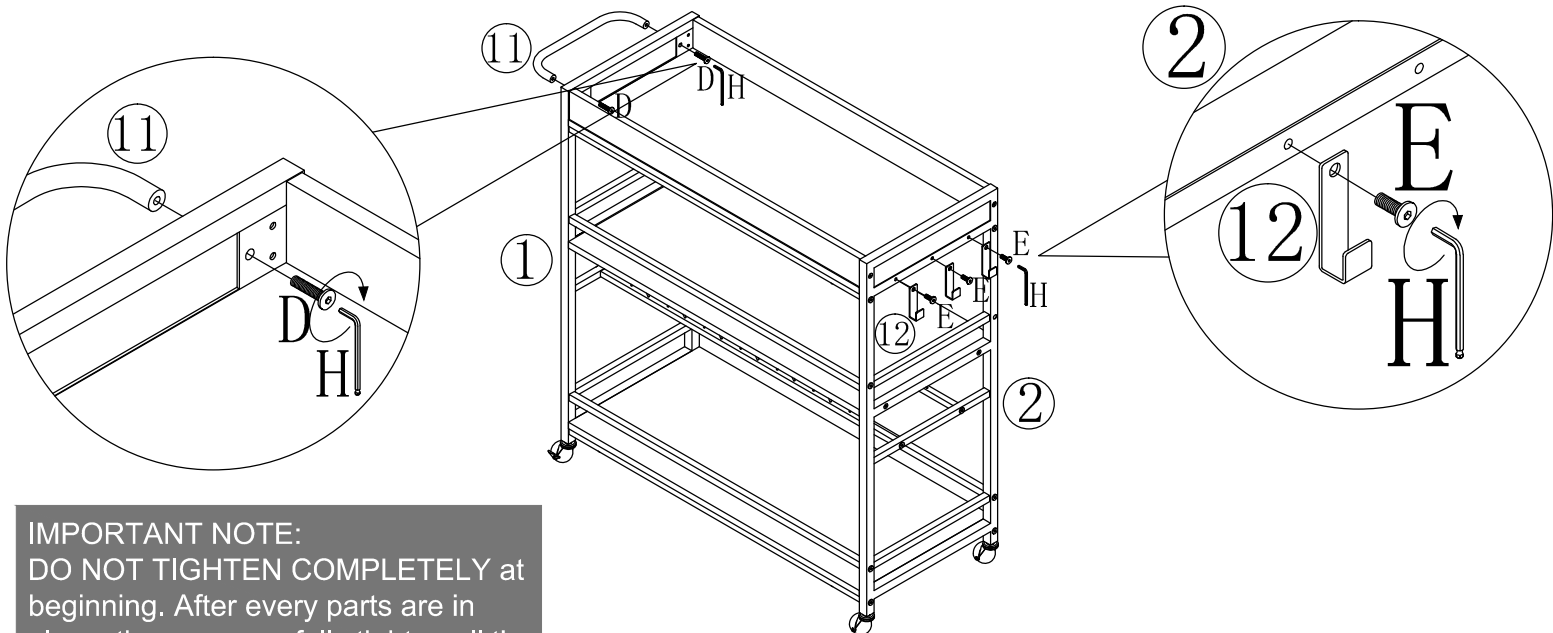
✦ Attach 2 pcs wheels (with brake) (B) to left leg frame (①), fully tighten by using wrench (I). Attach 2 pcs wheels (without brake) (A) to right leg frame (②), fully tighten by using wrench (I).



Step 20

Important Note: To avoid incorrect assembly, please follow our steps strictly. (Need Help: service@bon-augure.com)

✦ Flip bar cart up, and attach handle (⑪) to left leg frame (①), fix by using 2 pcs mid-allen bolt (D) and allen key (H). Then attach 3 pcs hook (⑫) to right leg frame (②), fix by using 3 pcs shortest allen bolt (E) and allen key (H). DO NOT TIGHTEN COMPLETELY at the beginning. After all parts are in place, then you can fully tighten all the bolts and screws (C&D&E&F).

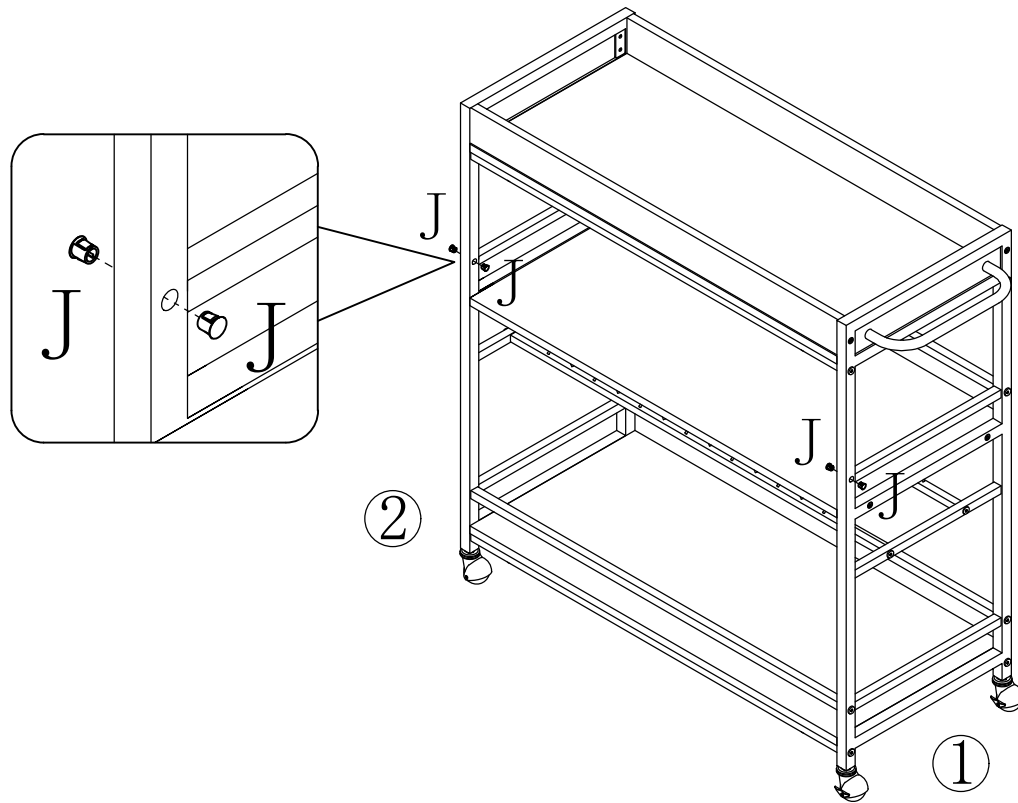


IMPORTANT NOTE:
DO NOT TIGHTEN COMPLETELY at beginning. After every parts are in place, then you can fully tighten all the bolts and screws (C&D&E&F).

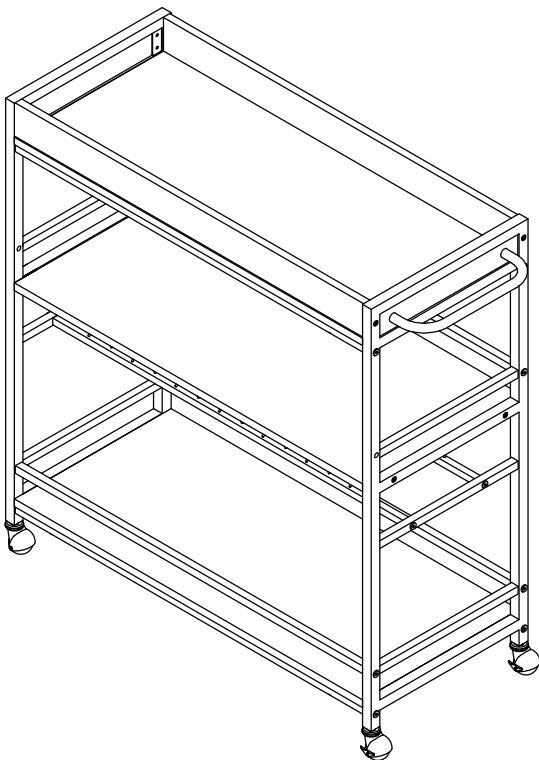
Step 21

Important Note: To avoid incorrect assembly, please follow our steps strictly. (Need Help: service@bon-augure.com)

After assembly is completed, you can cover these holes on the leg frame (①&②) by using hole covers (J) for better appearance.



Important note: If you find the holes do not align together, you can loosen all the screws, and adjust the holes slightly. After all the holes were aligned together, you can fully tighten all the screws.



Finish Assembly

If you have any questions with our products, please do not hesitate to contact us at any time.

Our email address is
service@bon-augure.com

We will reply your email within 24 hours.