

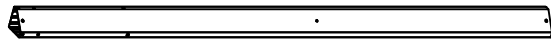
# **INSTRUCTION MANUAL**

**10FT x 10FT Gazebo**

**Series C41**

IF YOU PURCHASED THE GAZEBO ONLINE AND HAVE ANY  
QUESTIONS OR CONCERNS  
PLEASE CONTACT US WITH EMAIL OR TEXT

Hiwarrantyservice@outlook.com  
+1 628 263 4608



A8 4x



W9 4x



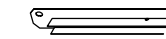
W10 4x



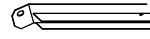
D19 4x



D8 4x



C13 4x



C14 4x



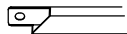
G1 4x



I1 4x



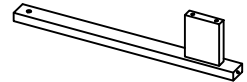
D16 4x



F6 4x



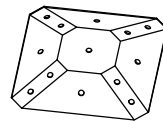
F7 4x



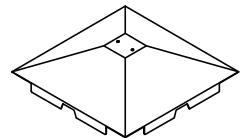
D15 4x



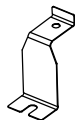
O 8x



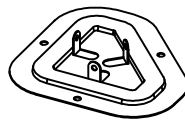
L1B 1x



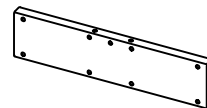
M1 1x



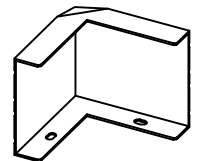
V 4x



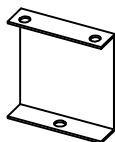
J 4x



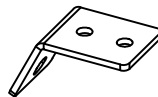
P1 4x



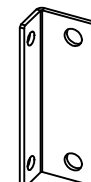
K1 4x



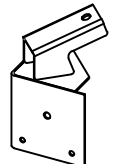
K2 4x



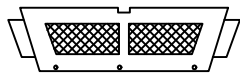
Q1 4x



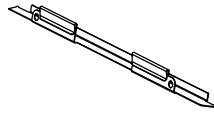
Q5 8x



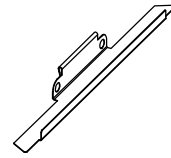
Q6 4x



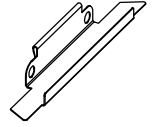
V1a 2x + V1b 2x



Z 48x



Z1 16x



Z2 8x



Y 64x



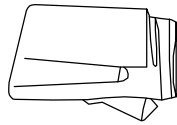
U1 96x



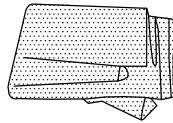
N 12x



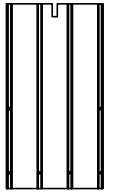
N1 4x



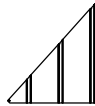
T 4x



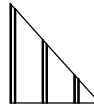
T1 4x



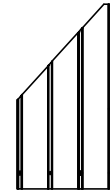
X17 4x



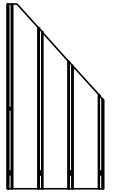
X1 4x



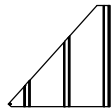
X2 4x



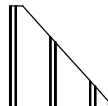
X13 4x



X14 4x



S1 4x

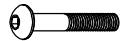


S2 4x



M5x15

15 16x



M6x35

16 8x



M6x15

1 144x



M6x23

2 56x



ST 4.8x12

4 8x



5 1x



M5x12

6 8x



M6x45

7 8x



8 16x



M6x10

9 8x



10 12x



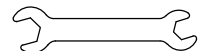
4mm

12 2x



M6x10

13 12x

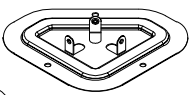


14 1x

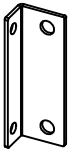
<1>



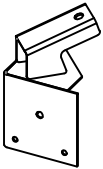
A8 4x



J 4x



Q5 8x



Q6 4x



M6x15

1 12x



M5x12

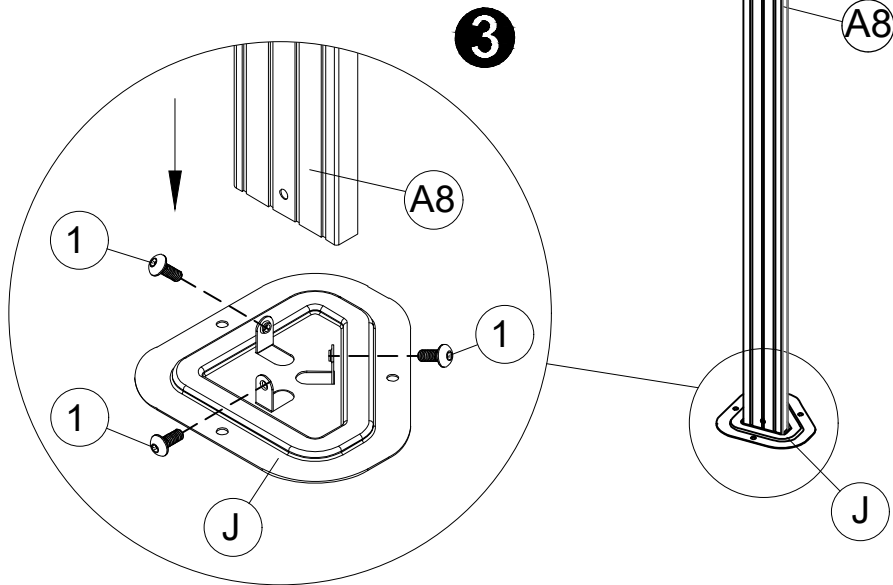
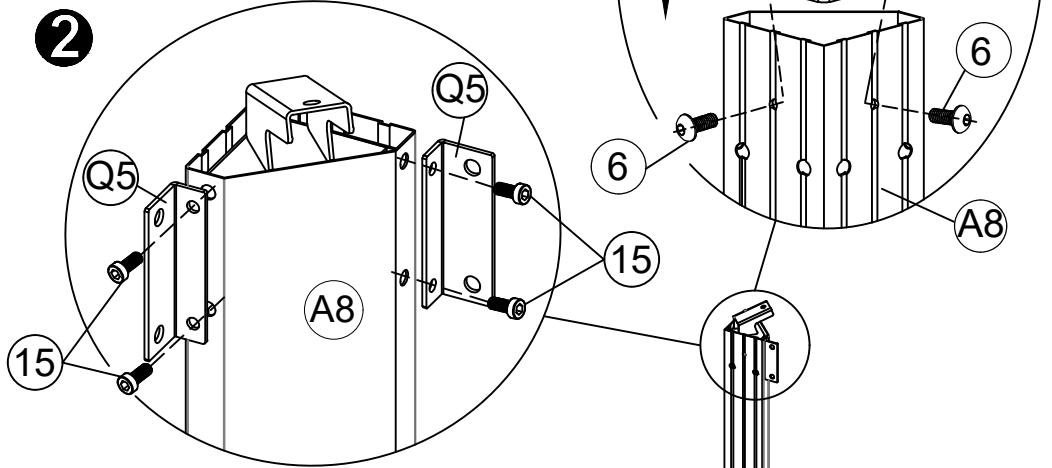
6 8x



M5x15

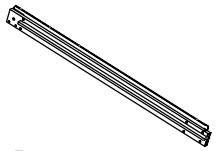
15 16x

4

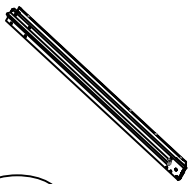


3

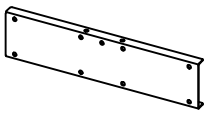
<2>



W9 4x



W10 4x

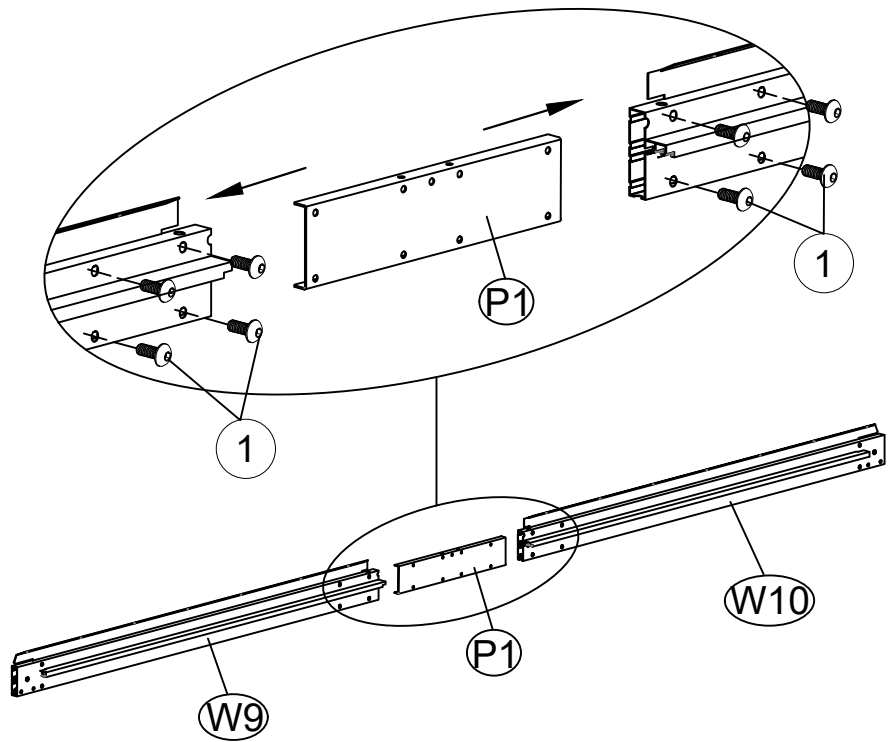


P1 4x



M6x15

1 32x



<3>

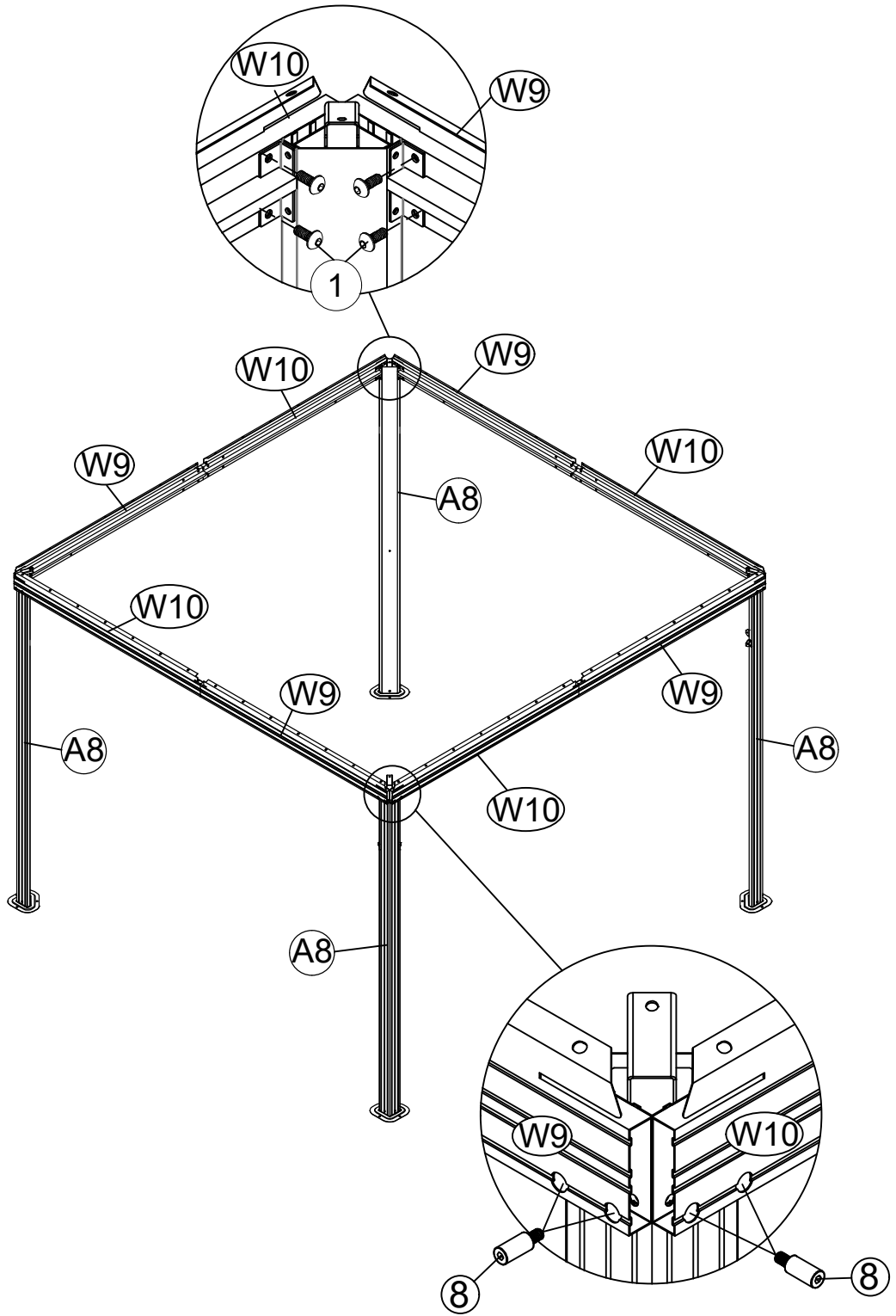


8 16x



M6x15

1 16x





○ 8x



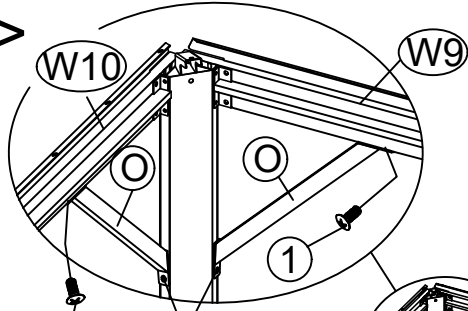
M6x15

① 16x



⑩ 12x

<4>



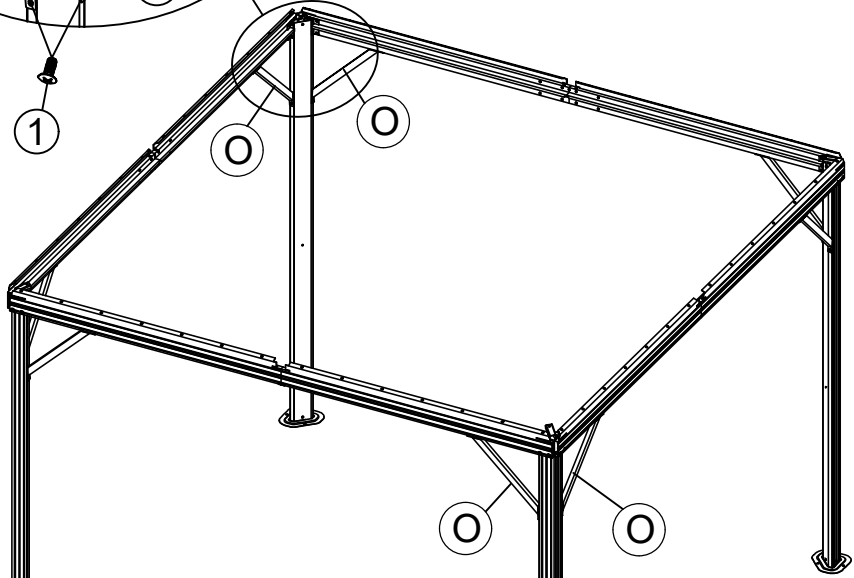
①

①

①

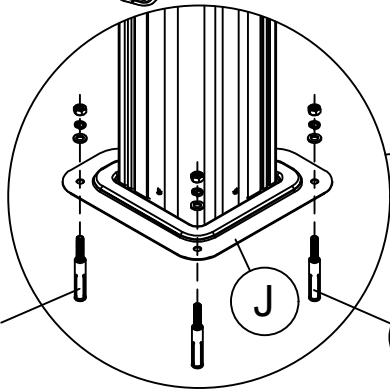
○

○



○

○

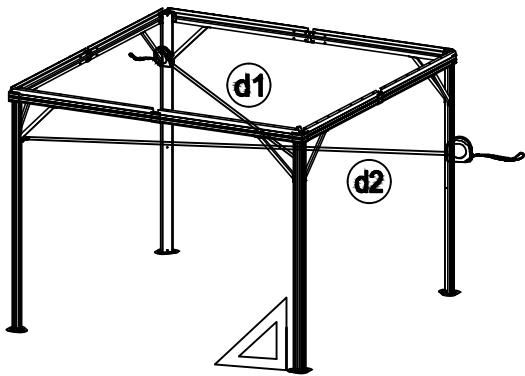


10

J

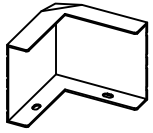
10

①  $d1=d2$

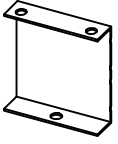


Rt 90

Tips: Please measure to make sure the length of d1 is equal to d2 before moving to next step to ensure a square frame and best results. Keep the beam at right angles to the post, the post at right angles to the ground, and keep the beam horizontal.



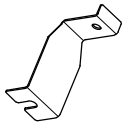
(K1) 4x



(K2) 4x



(U1) 96x



(V) 4x



M6x10

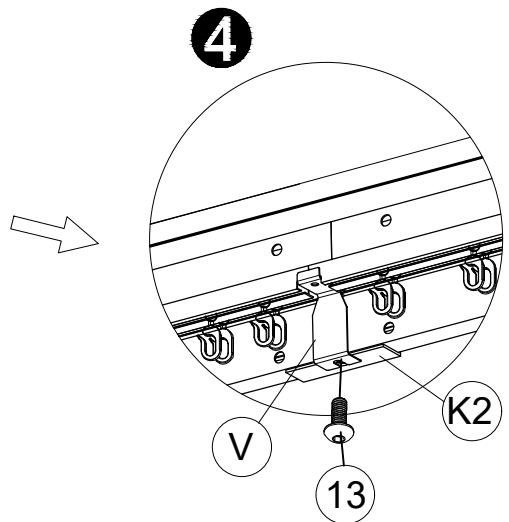
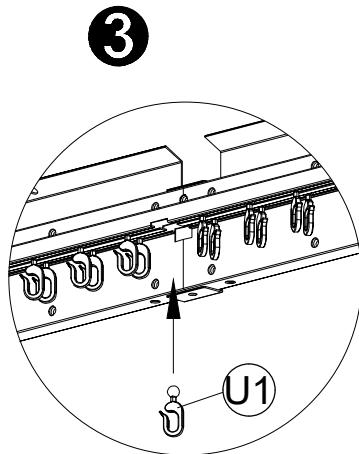
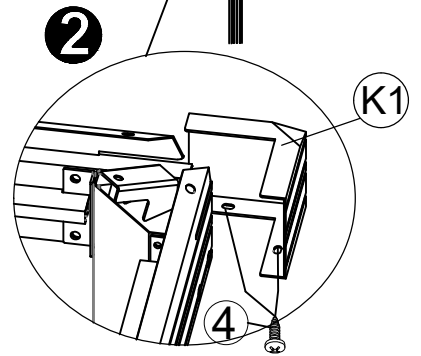
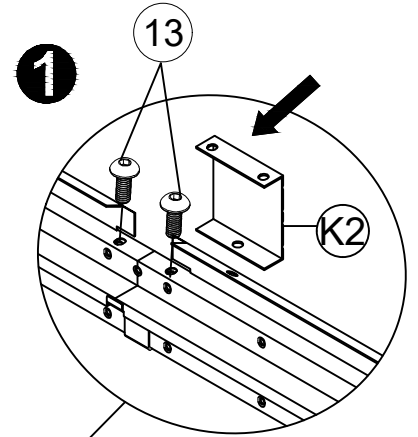
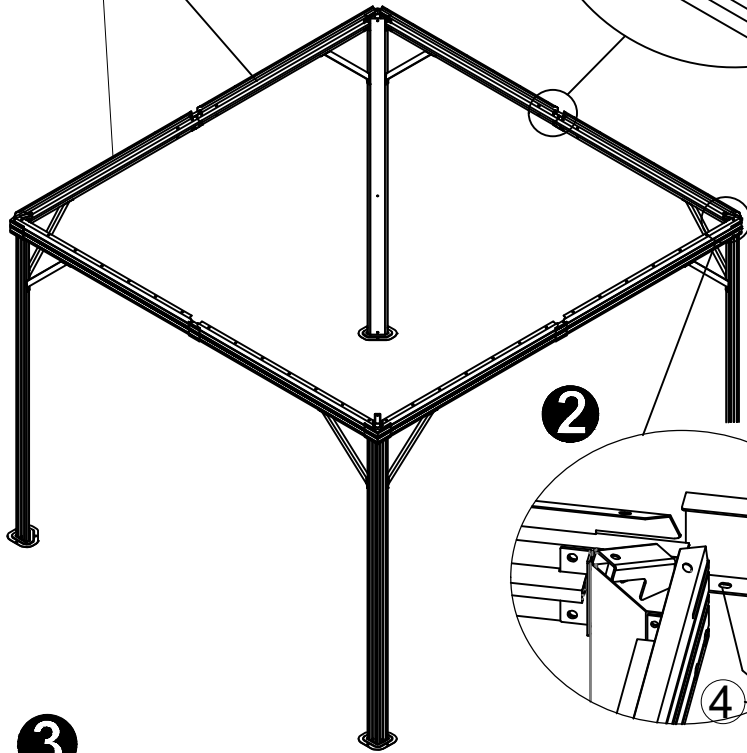
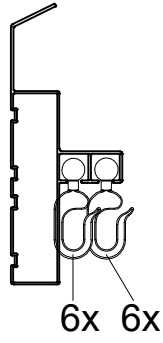
(13) 12x



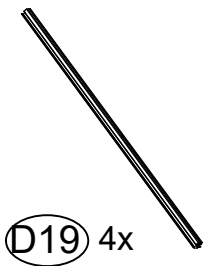
ST4.8x12

(4) 8x

<5>



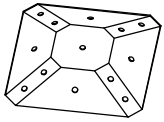
<6>



D19 4x



D8 4x

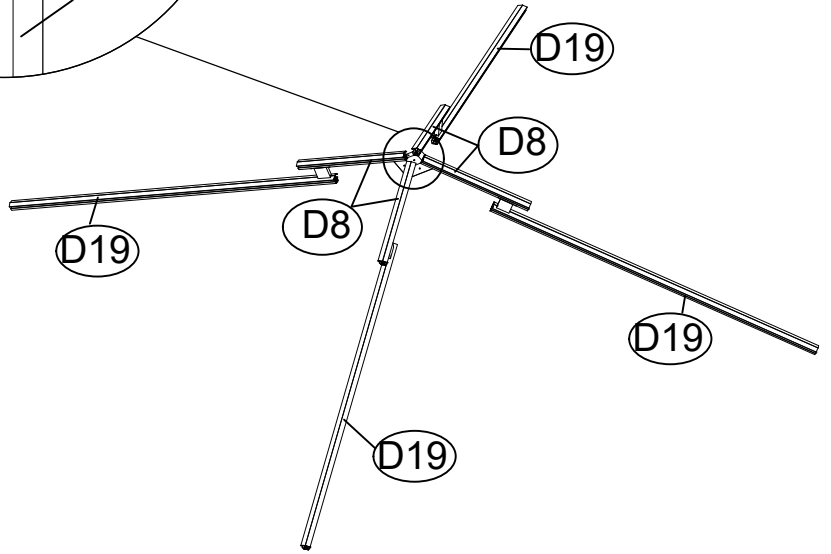
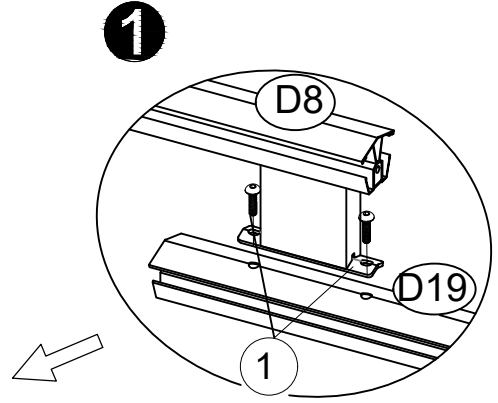
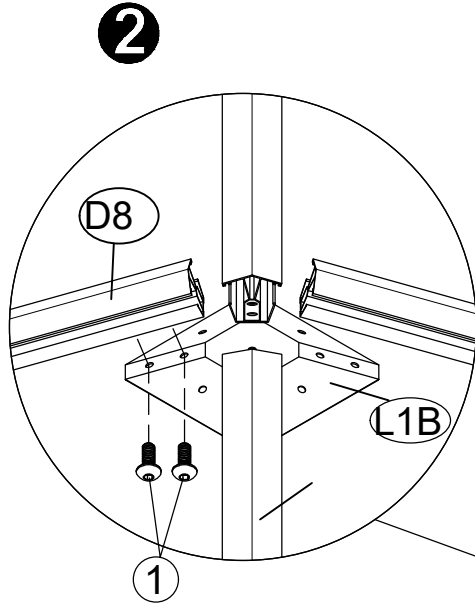


L1B 1x



M6x15

1 16x

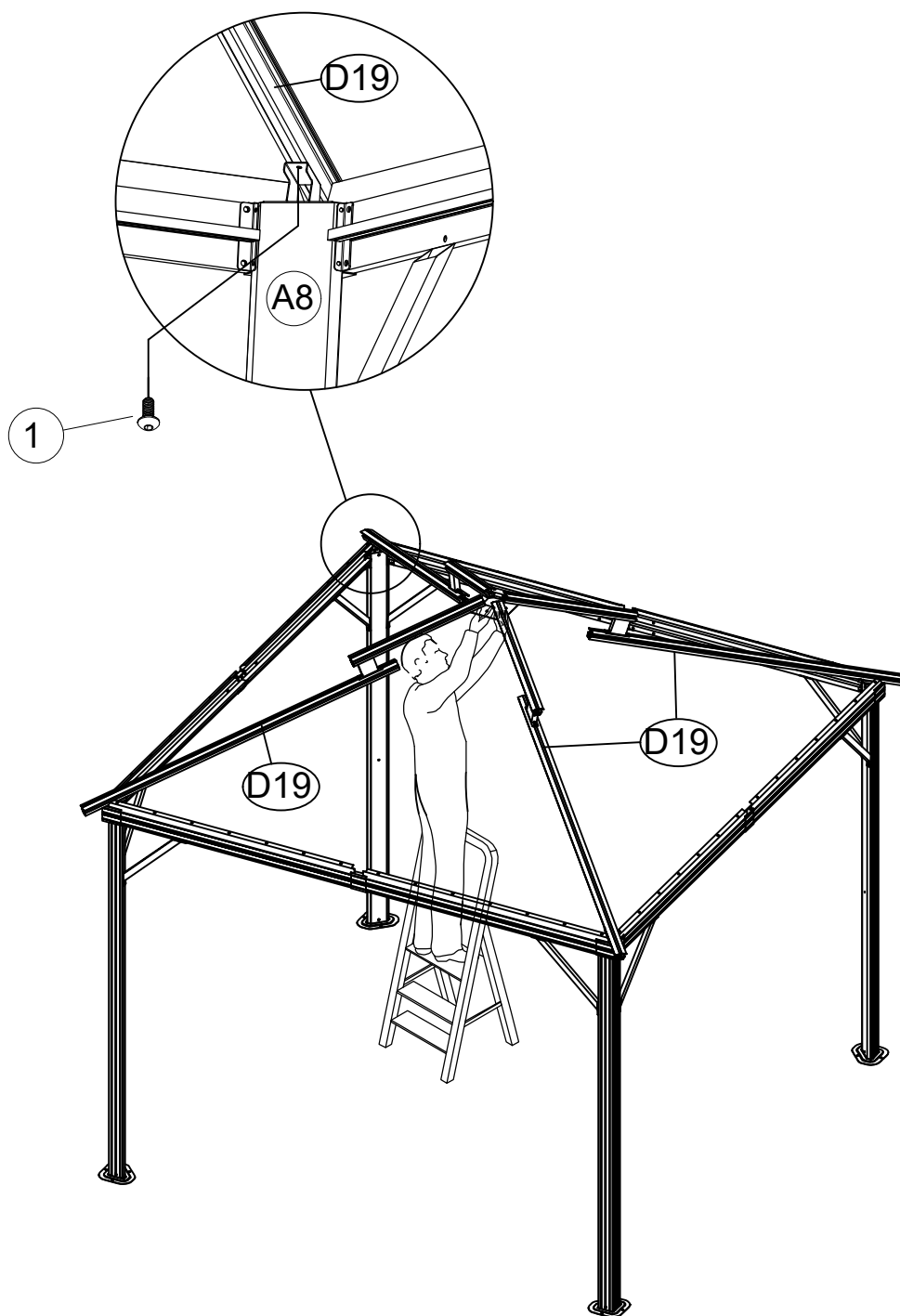




<7>

1

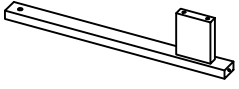
M6x15  
4x



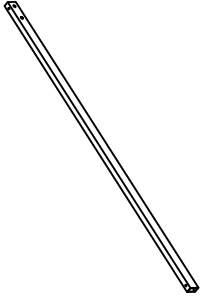
Note:

1. Let one person stand on the ladder to lift "L1B" and hold and let others fasten the screws connecting both ends of "D19".
2. Please do not let go of holding "L1B" until all the "D19" screws are installed.

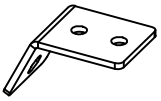
<8>



D15 4x



D16 4x

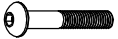


Q1 4x



M6x15

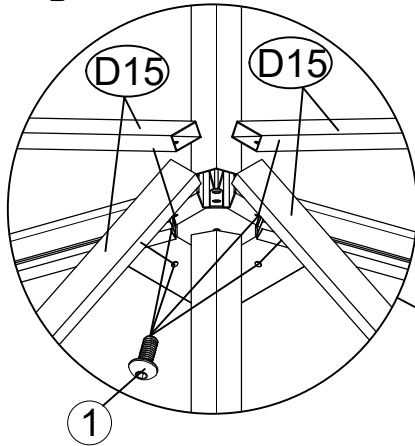
1 16x



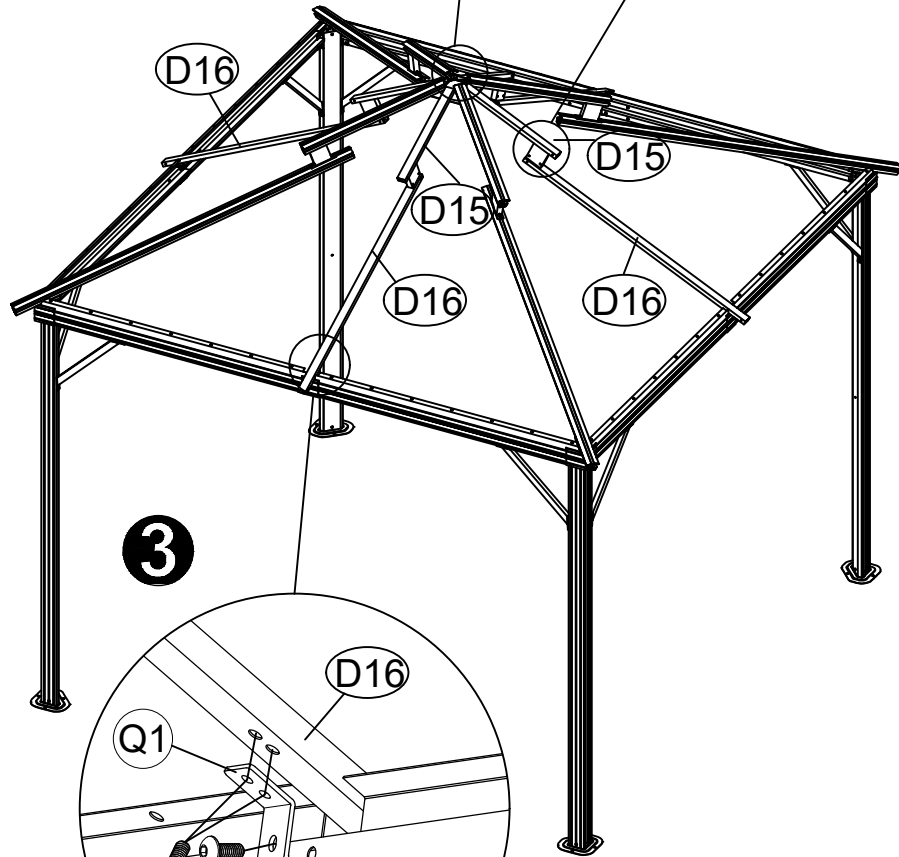
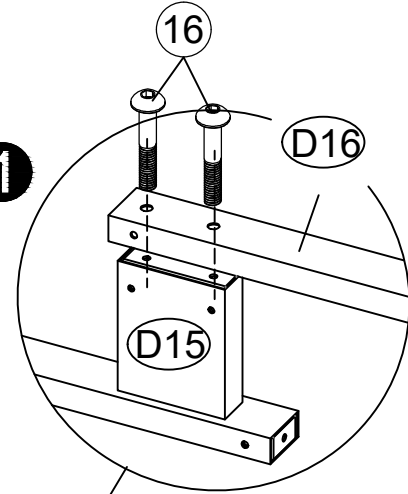
M6x35

16 8x

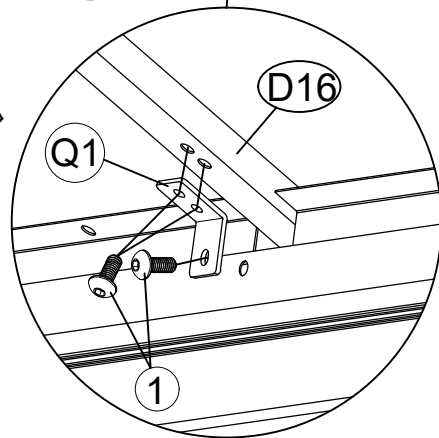
2

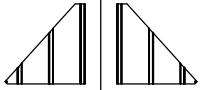


1

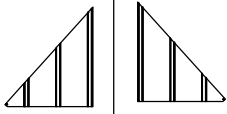


3

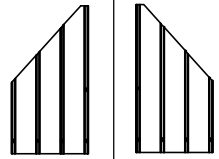




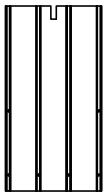
(S1) 4x (S2) 4x



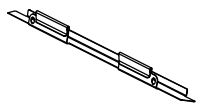
(X1) 4x (X2) 4x



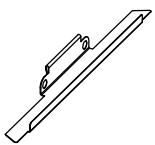
(X13) 4x (X14) 4x



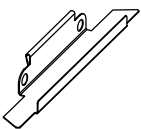
(X17) 4x



(Z) 48x

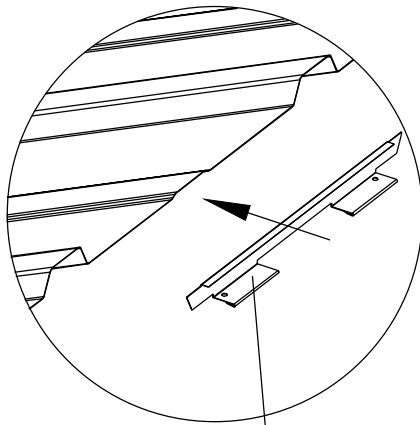


(Z1) 16x

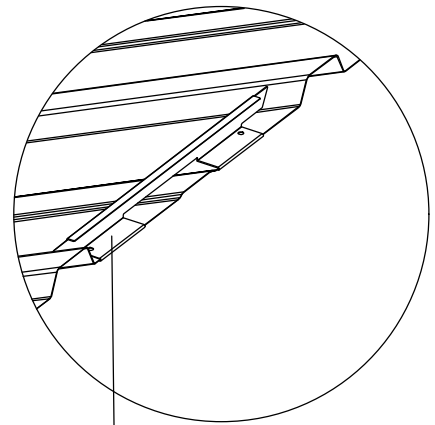
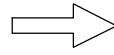


(Z2) 8x

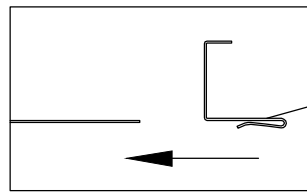
<9>



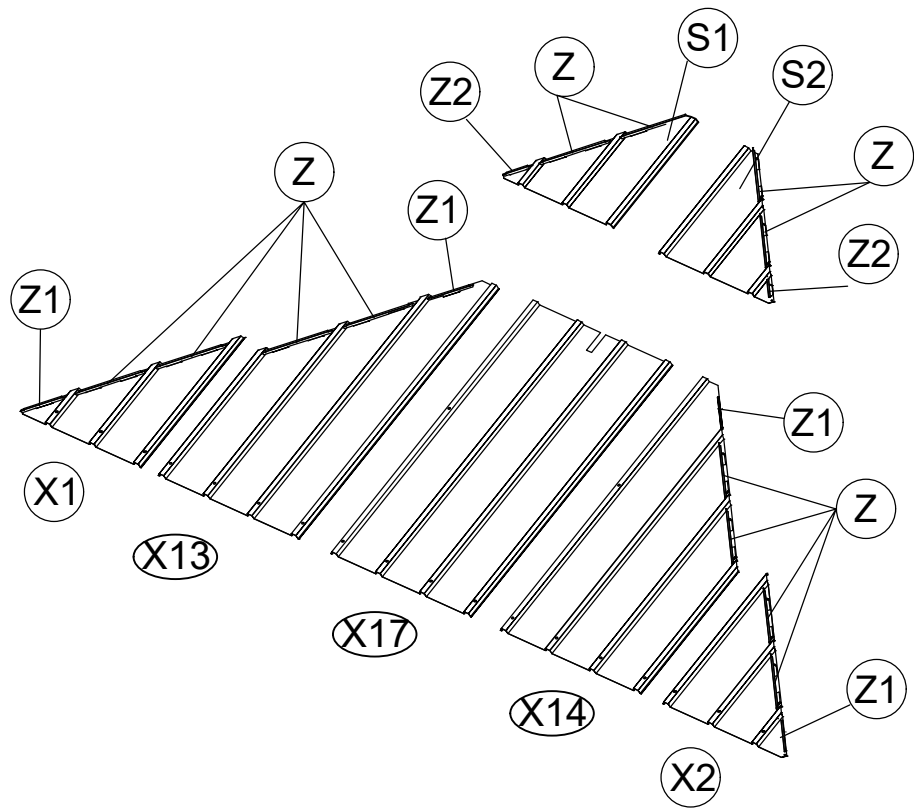
(Z) or (Z1) or (Z2)



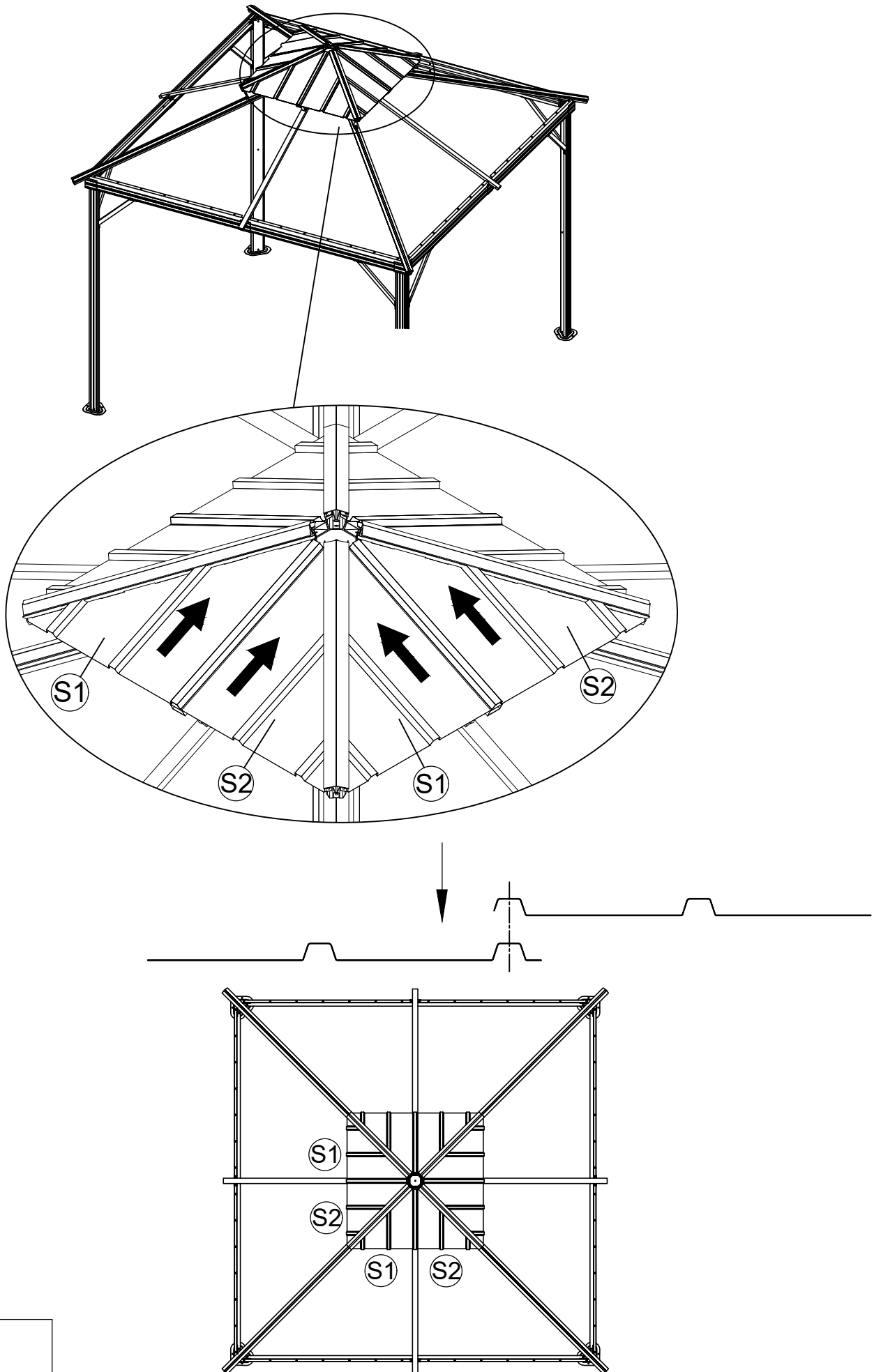
(Z) or (Z1) or (Z2)

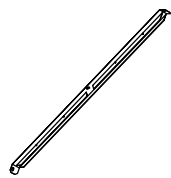


(Z) or (Z1) or (Z2)



<10>





G1 4x



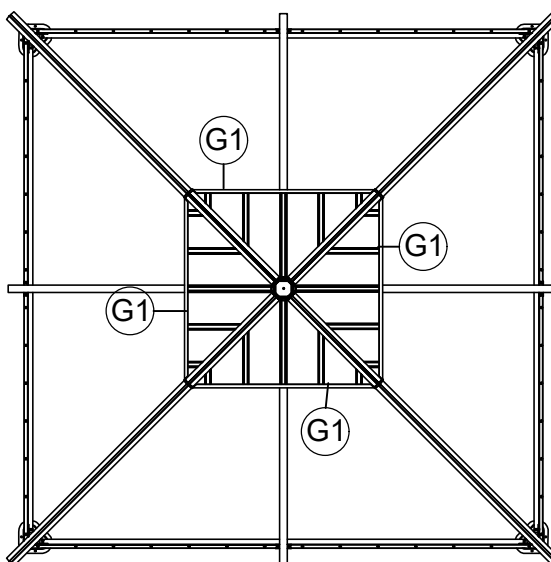
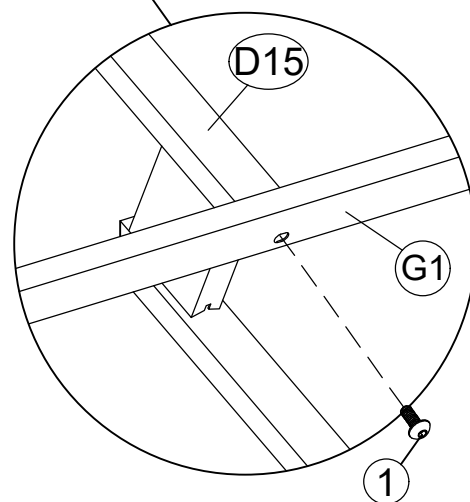
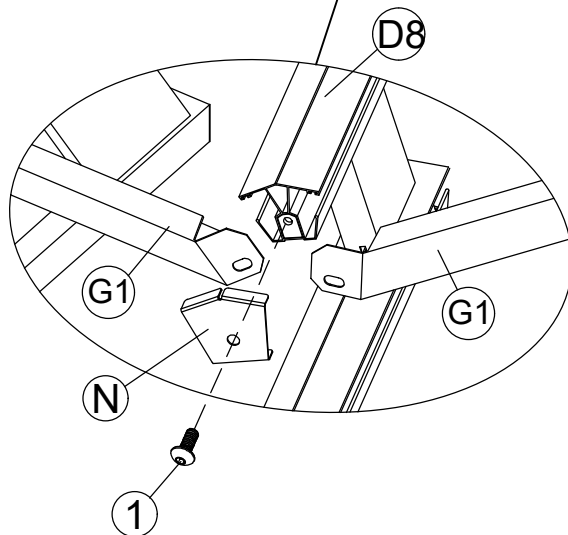
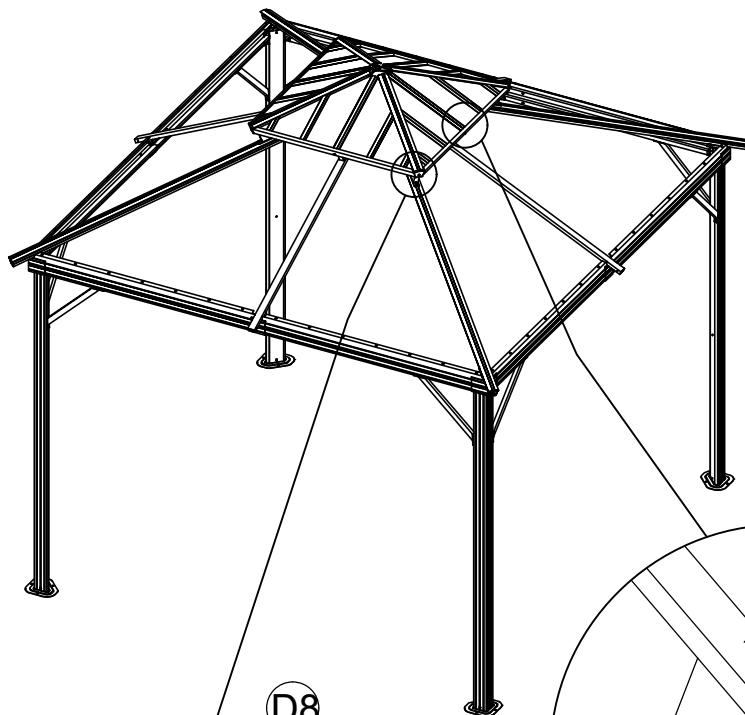
N 4x

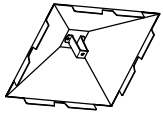


M6x15

1 8x

<11>



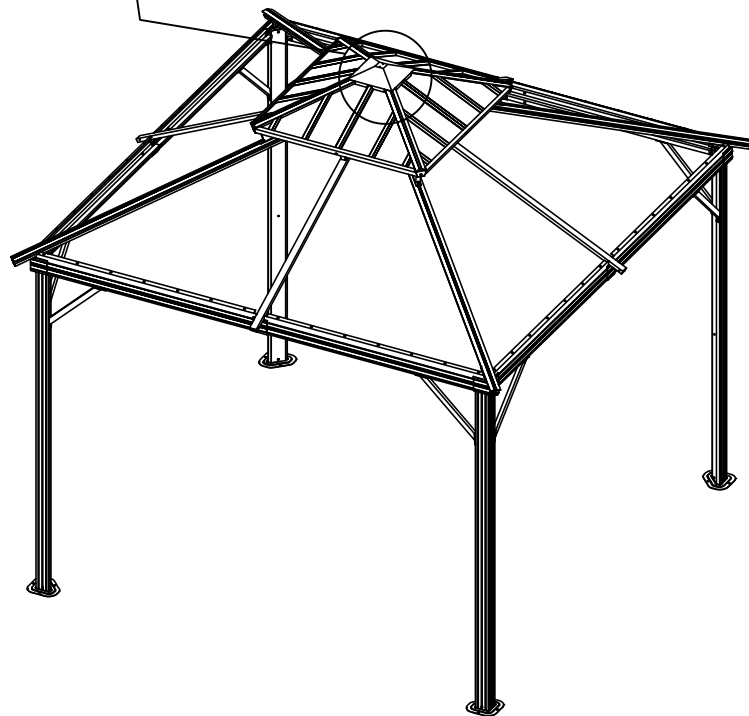
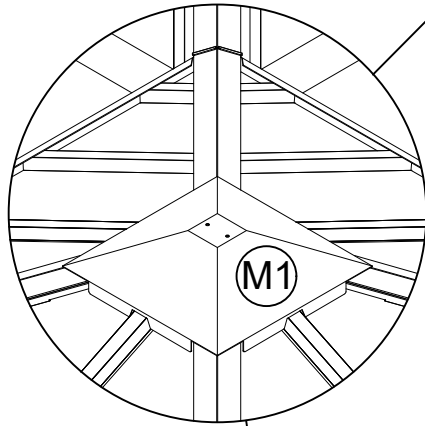
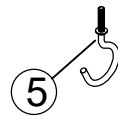
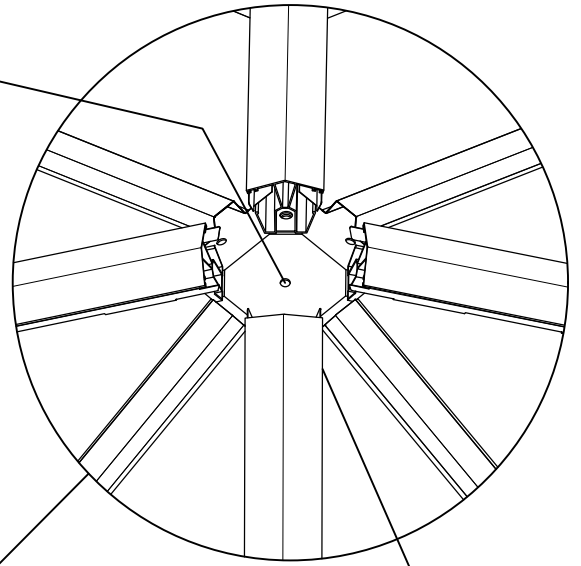
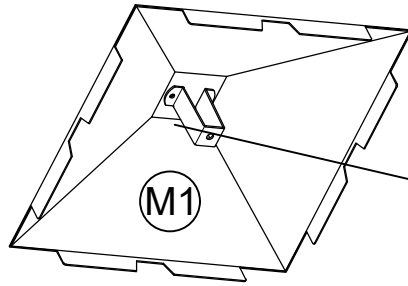


<12>

M1 1x



5 1x

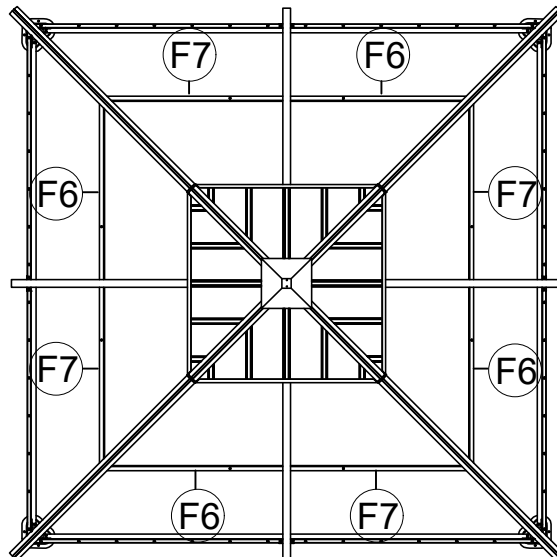
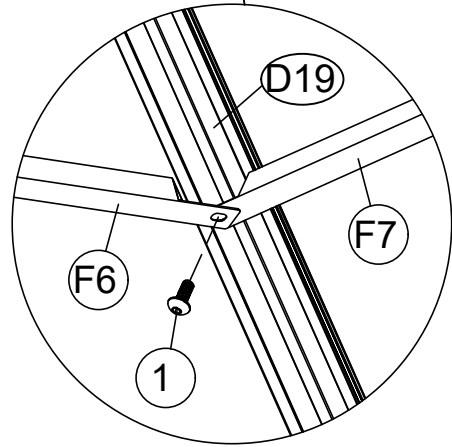
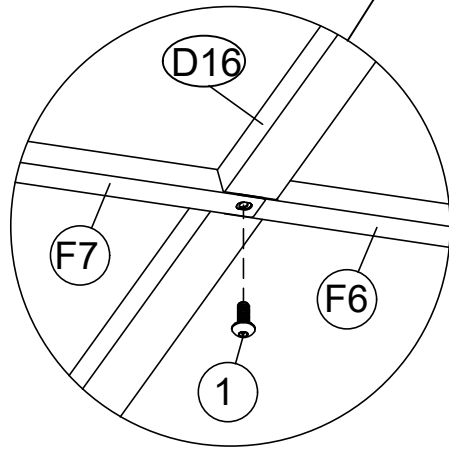
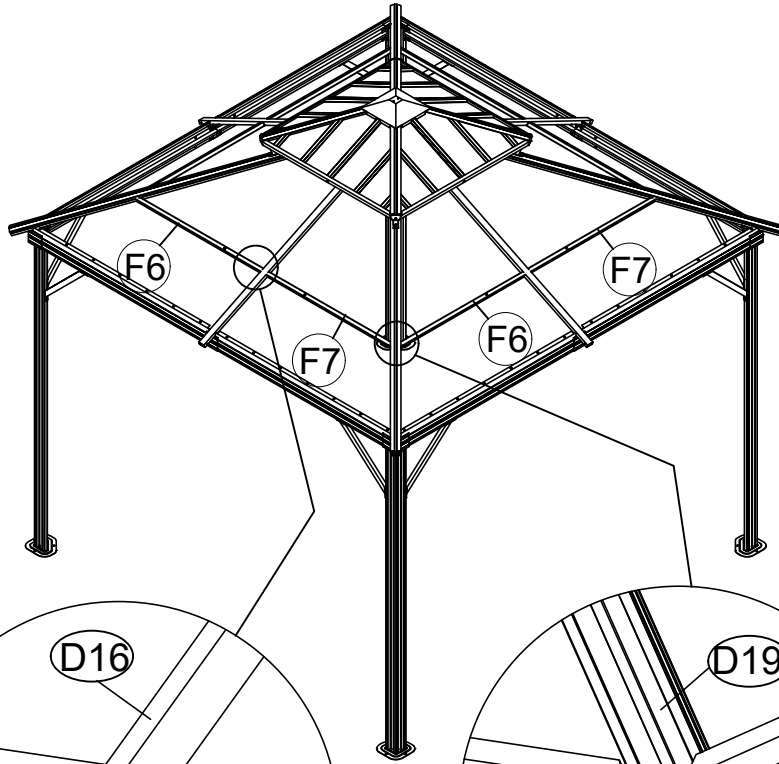


<13>

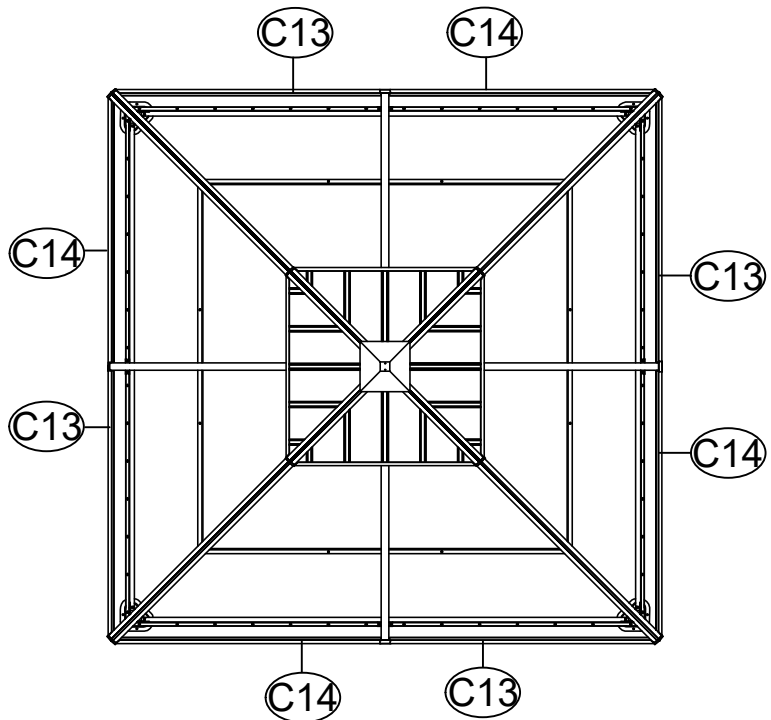
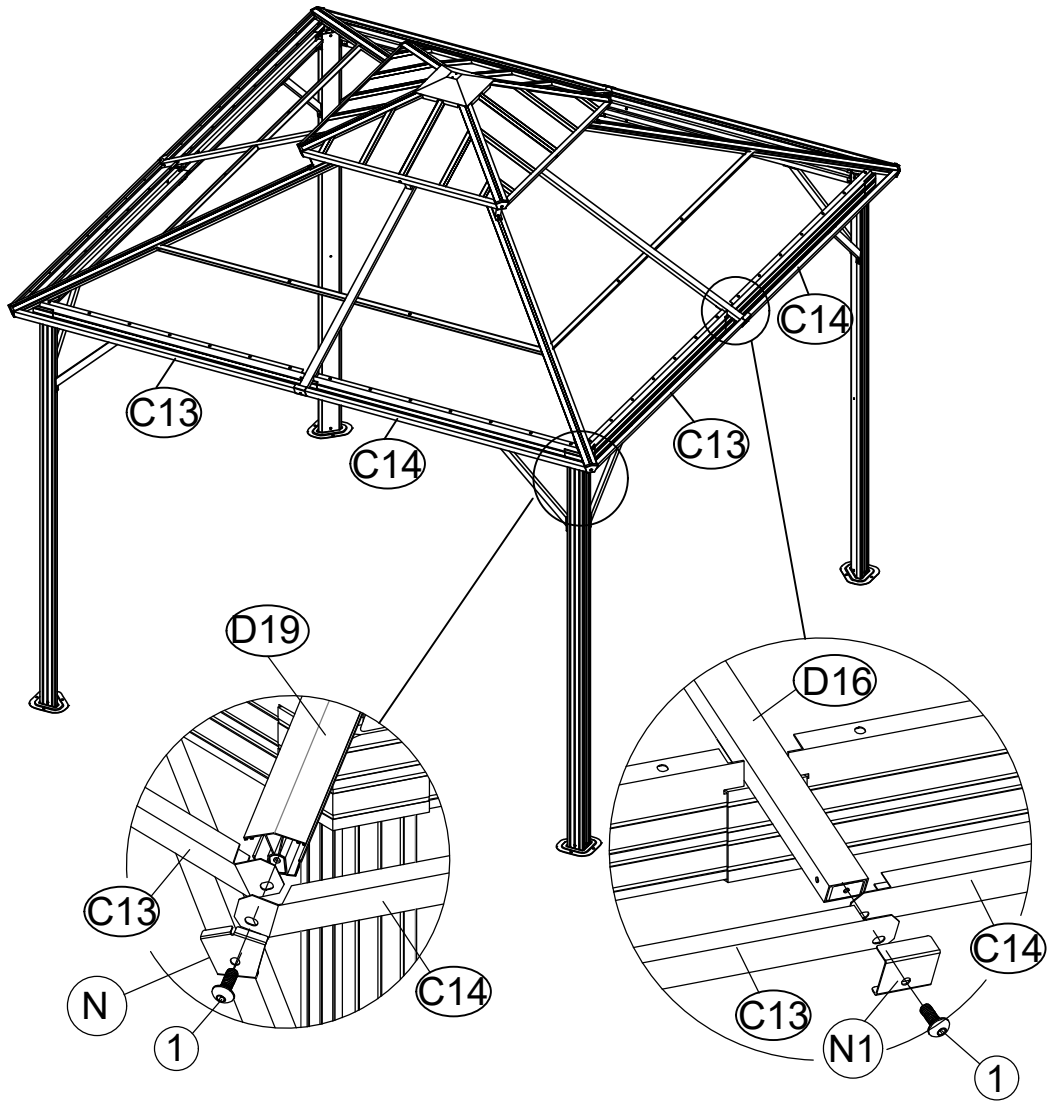
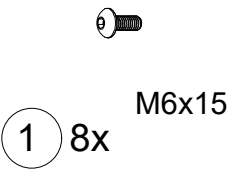
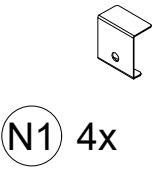
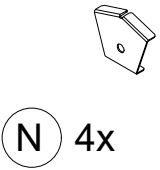
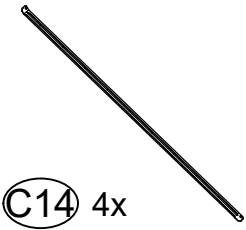
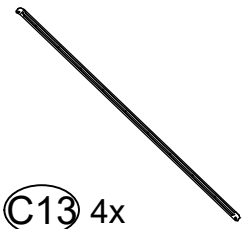
F7 4x

F6 4x

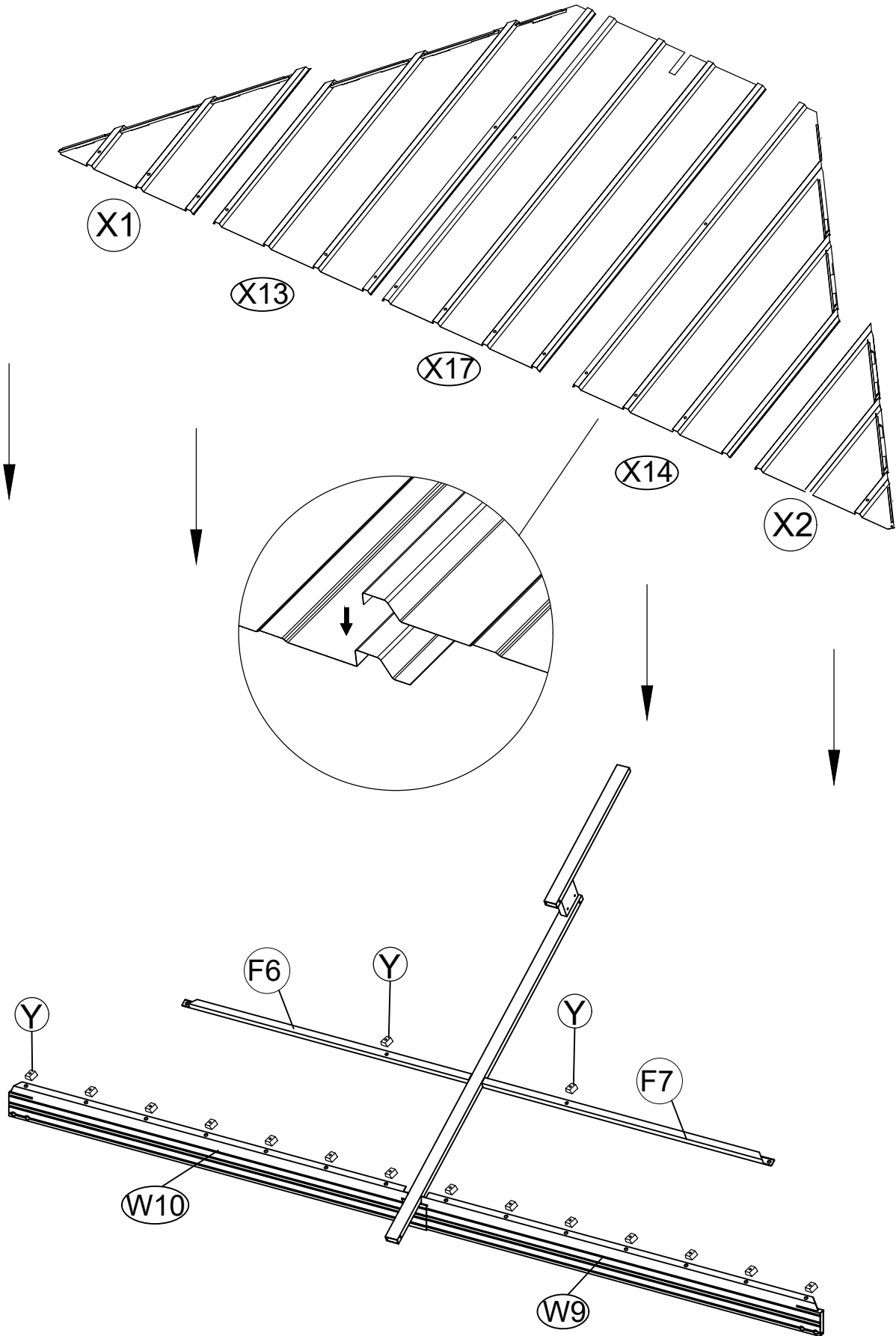
M6x15  
1 8x



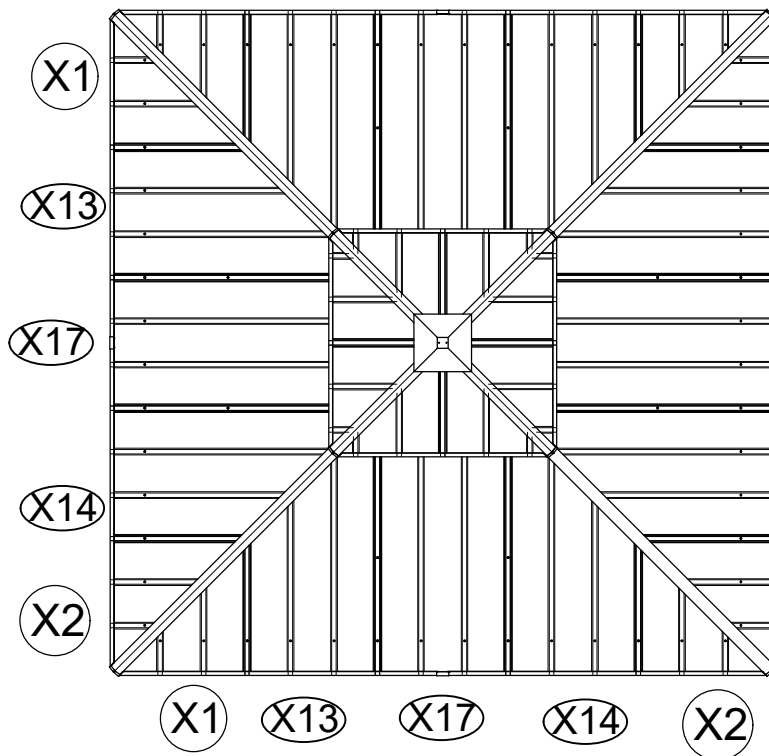
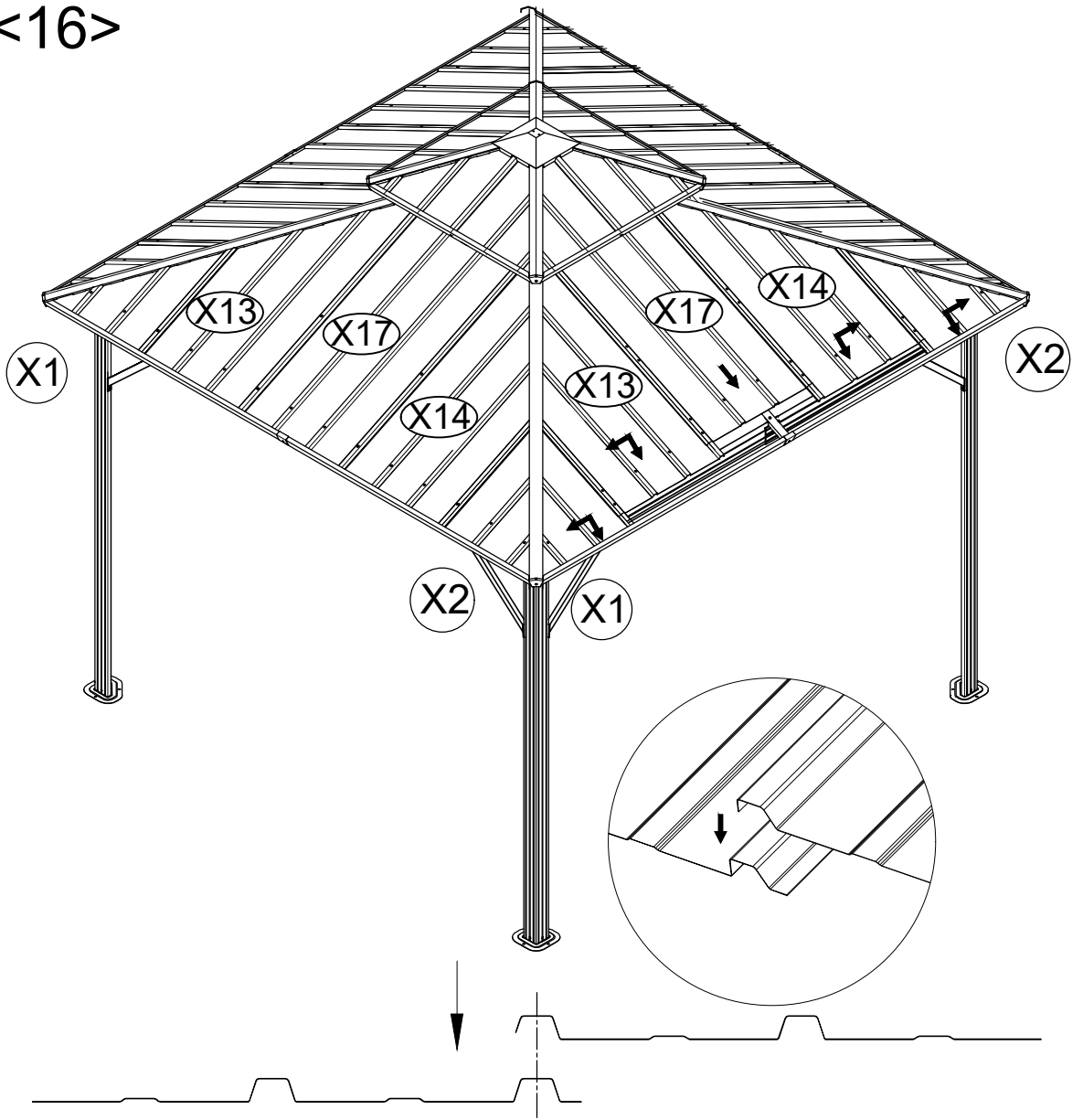
<14>



<15>



<16>





<17>

Y 64x



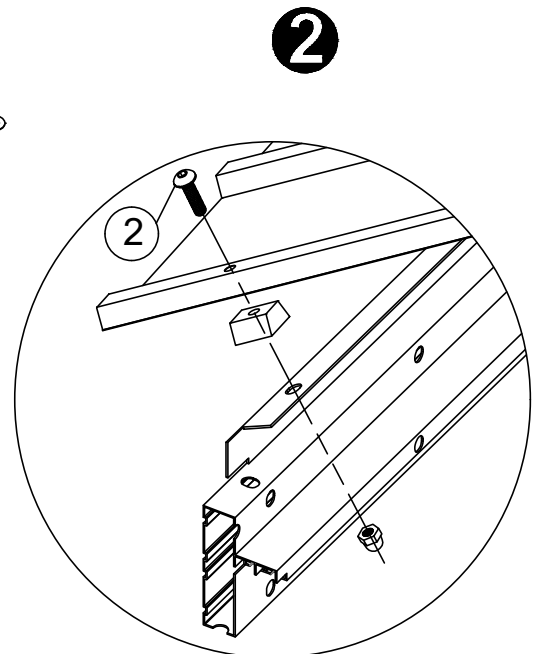
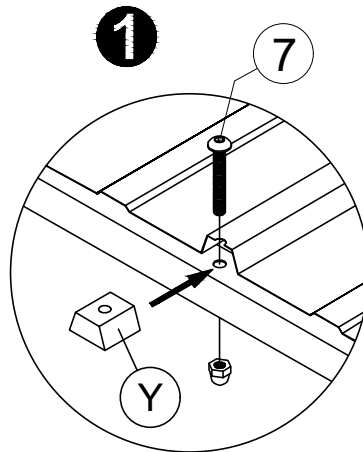
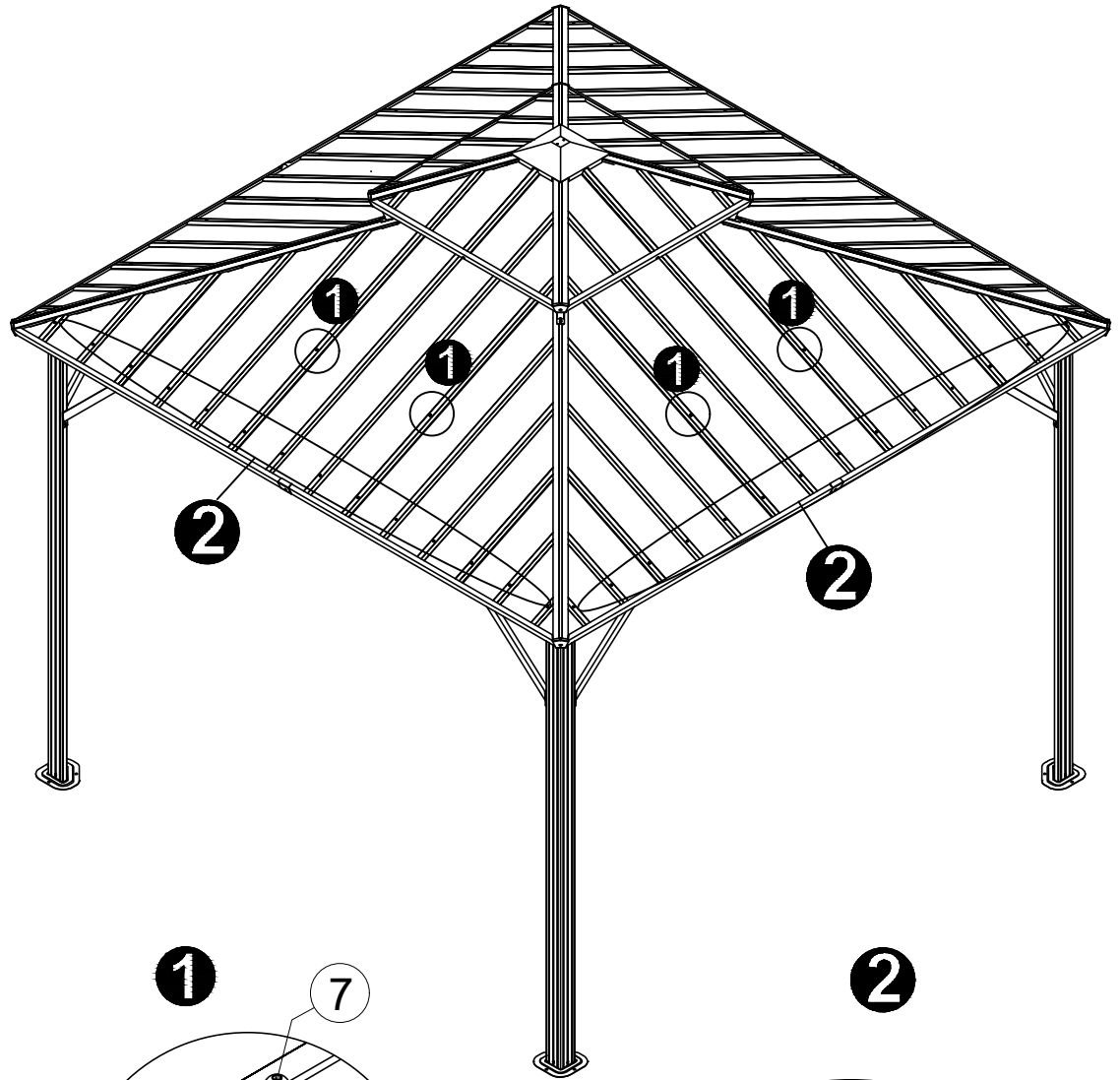
M6x23

2 56x

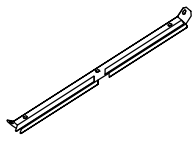


M6x45

7 8x

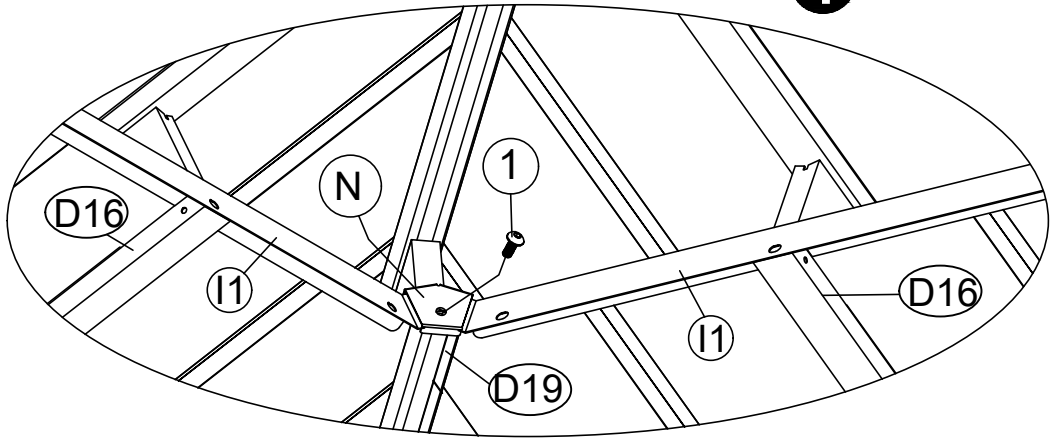


Note: When installing the roof top plates, if the roof plates are slightly uneven, pls press the screws from the top of the plates until the bottom screw thread is exposed by 3 to 4mm, and then screw on the nut.



<18>

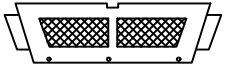
1



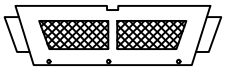
I1 4x



N 4x



V1a 2x



V1b 2x



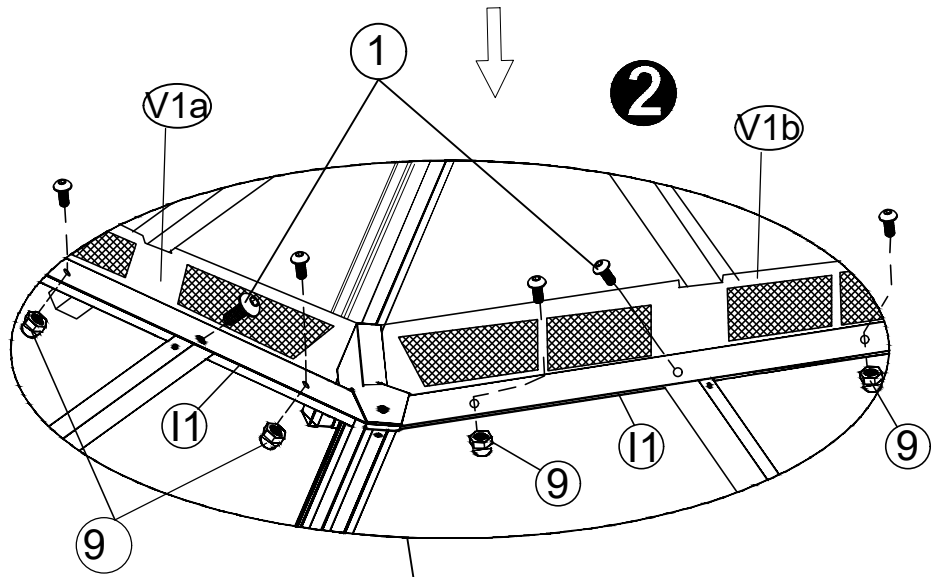
M6x15

1 8x

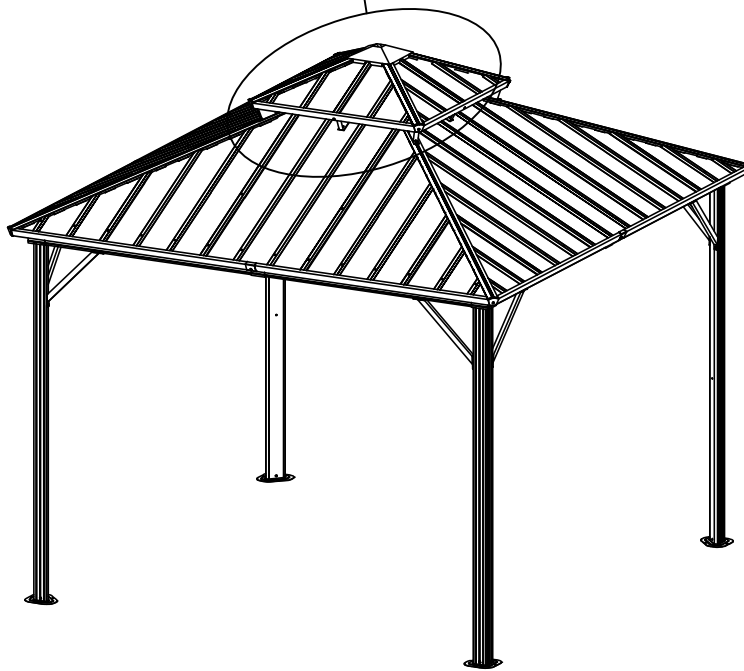


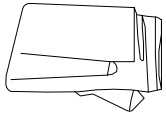
M6x10

9 8x



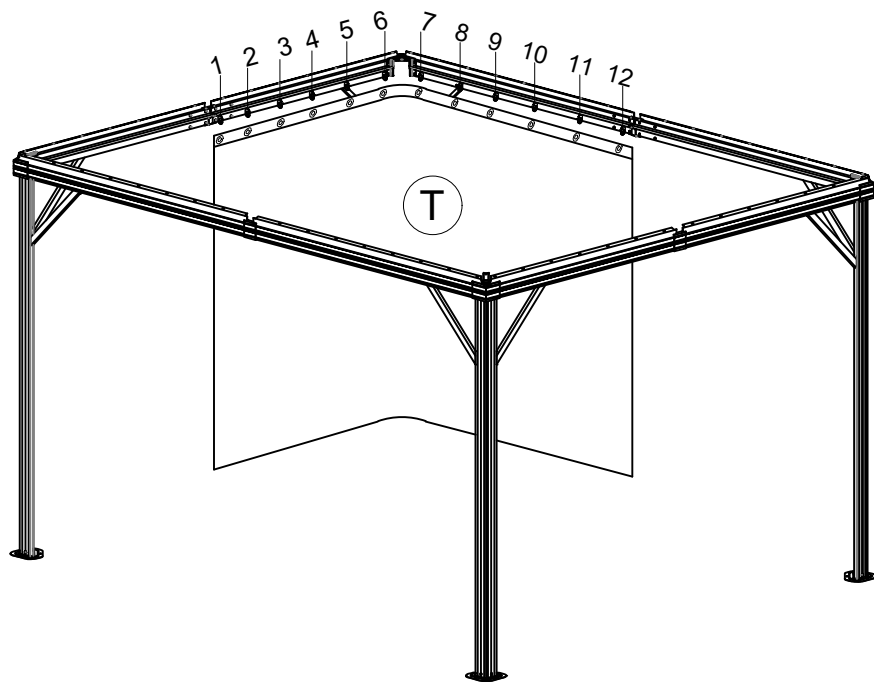
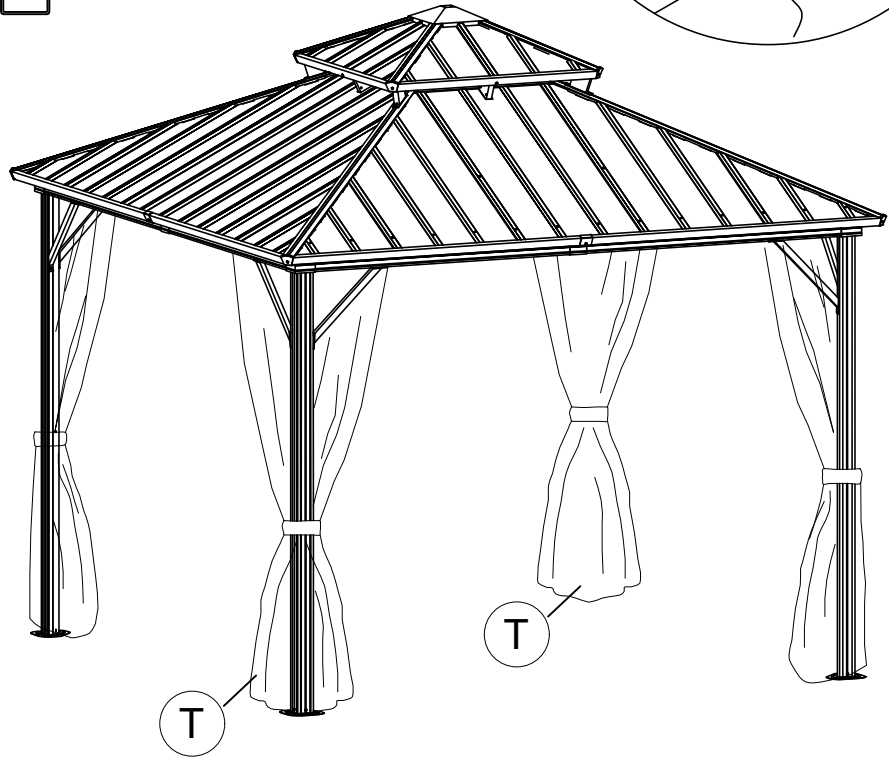
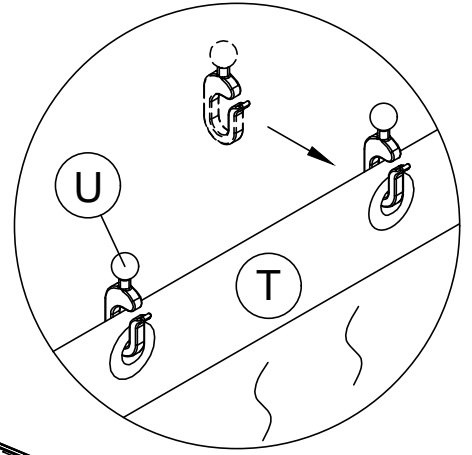
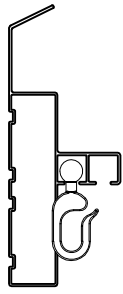
2

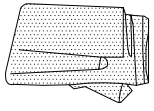




<19>

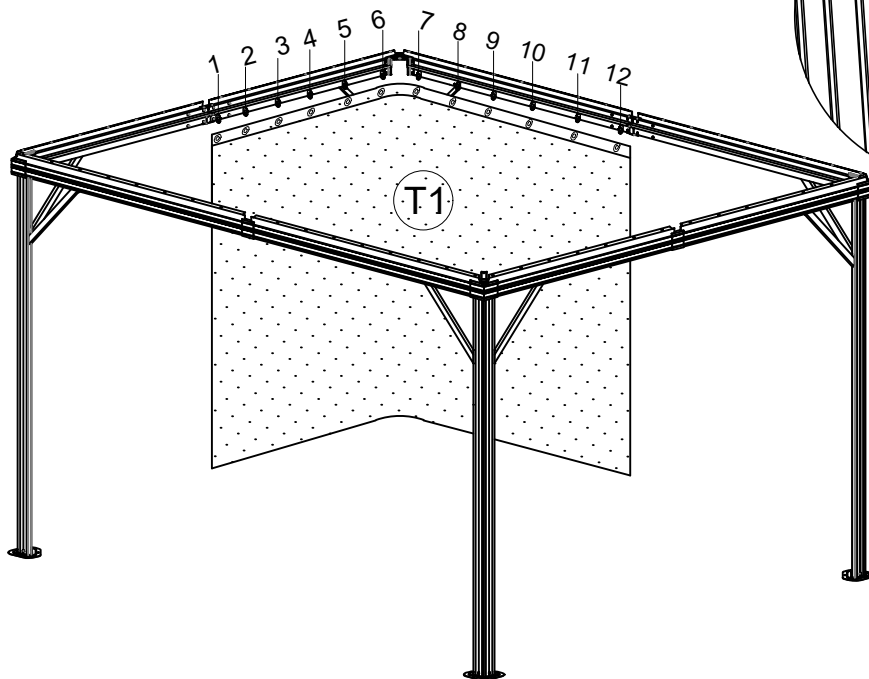
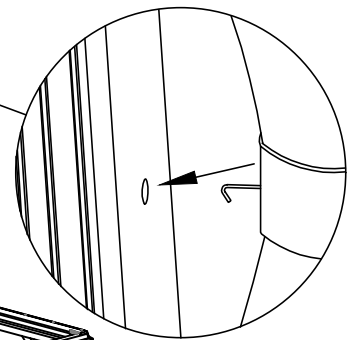
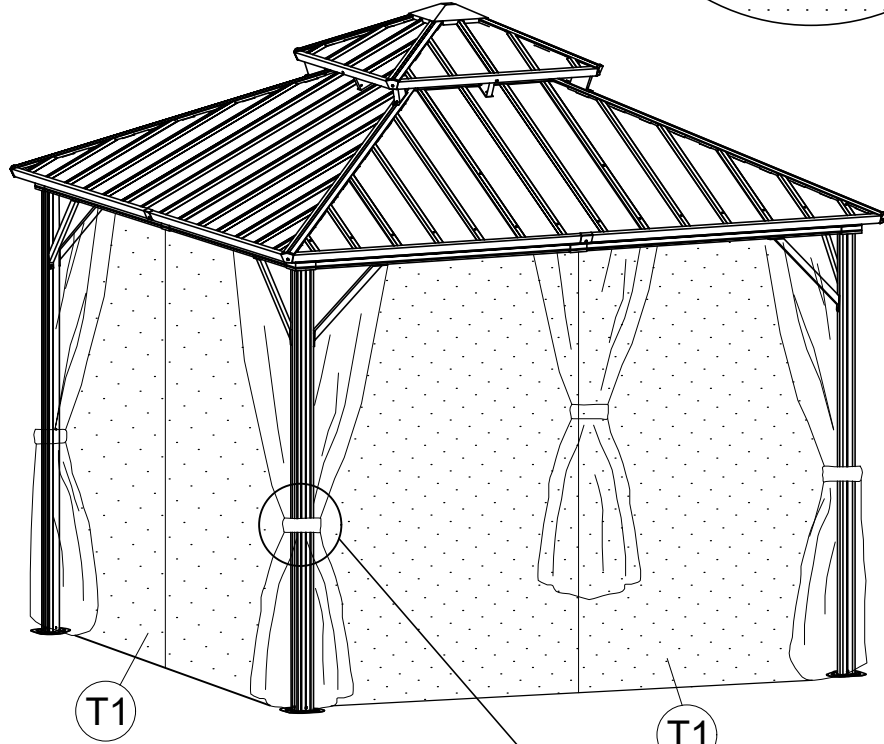
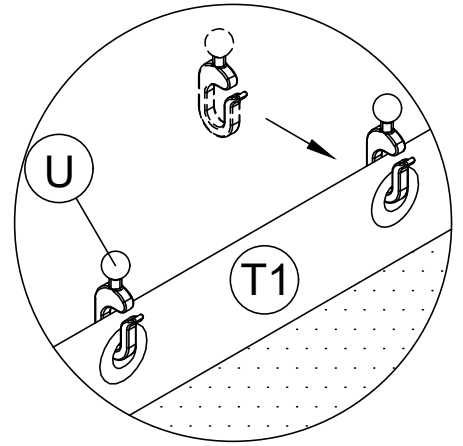
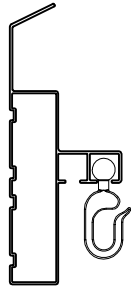
T 4x





<20>

T1 4x



Carton-1/2		Carton-2/2			
Part	Qty	Part	Qty		
A8	4	X1	4		
C13	4	X2	4		
C14	4	X13	4		
D8	4	X14	4		
D16	4	X17	4		
D19	4	S1	4		
D20	4	S2	4		
F6	4	W9	4		
F7	4	W10	4		
G1	4	D15	4		
I1	4	L1B	1		
O	8	M1	1		
K1	4	T	4		
K2	4	T1	4		
V	4	V1a	2		
N1	4	V1b	2		
N	12	1.2.4.5.6.7.8.9. 10.12.13.14.15.16	1		
Q1	4				
Q5	8				
Q6	4				
J	4				
Y	64				
U1	96				
P1	4				
Z	48				
Z1	16				
Z2	8				