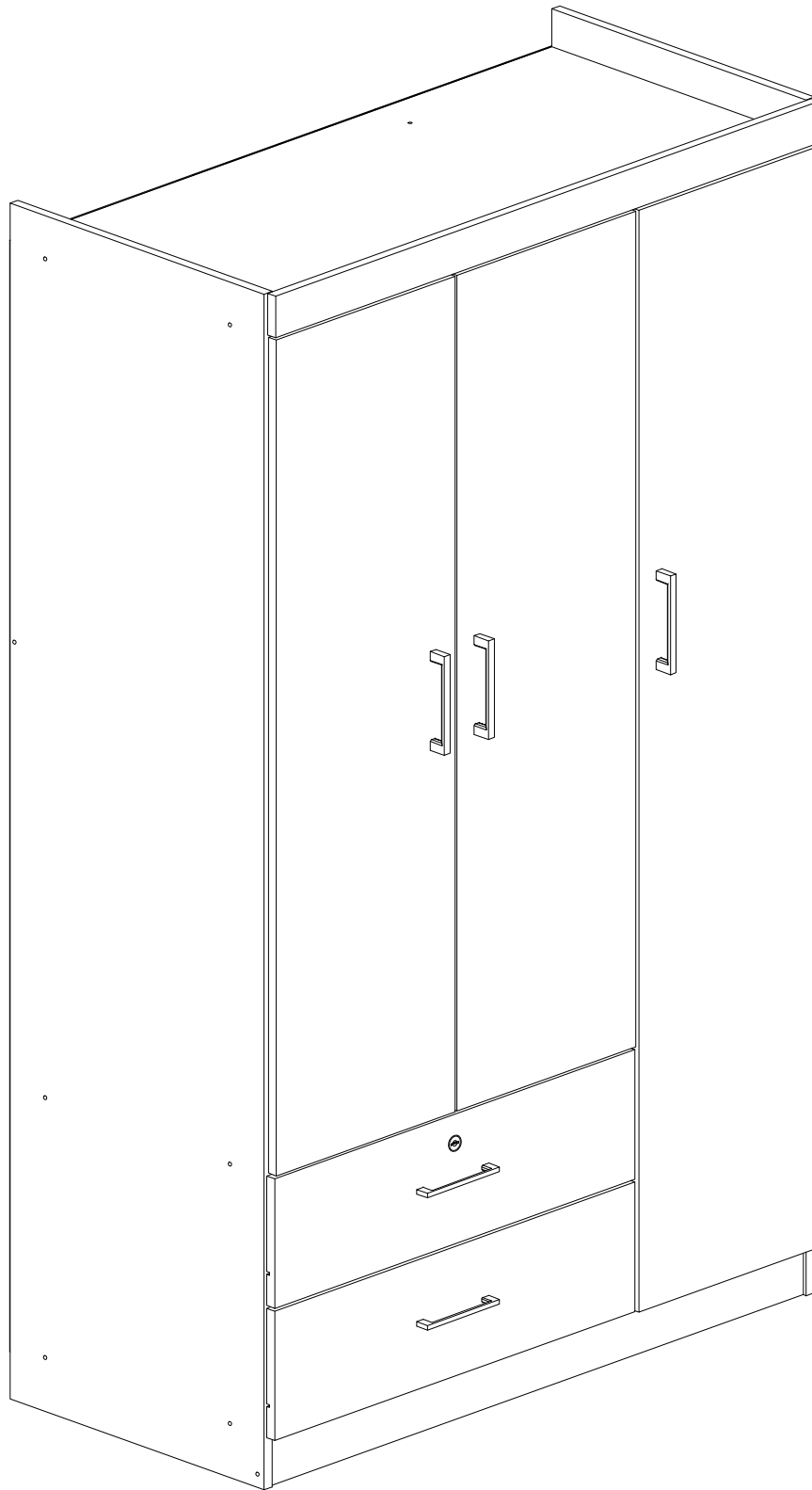
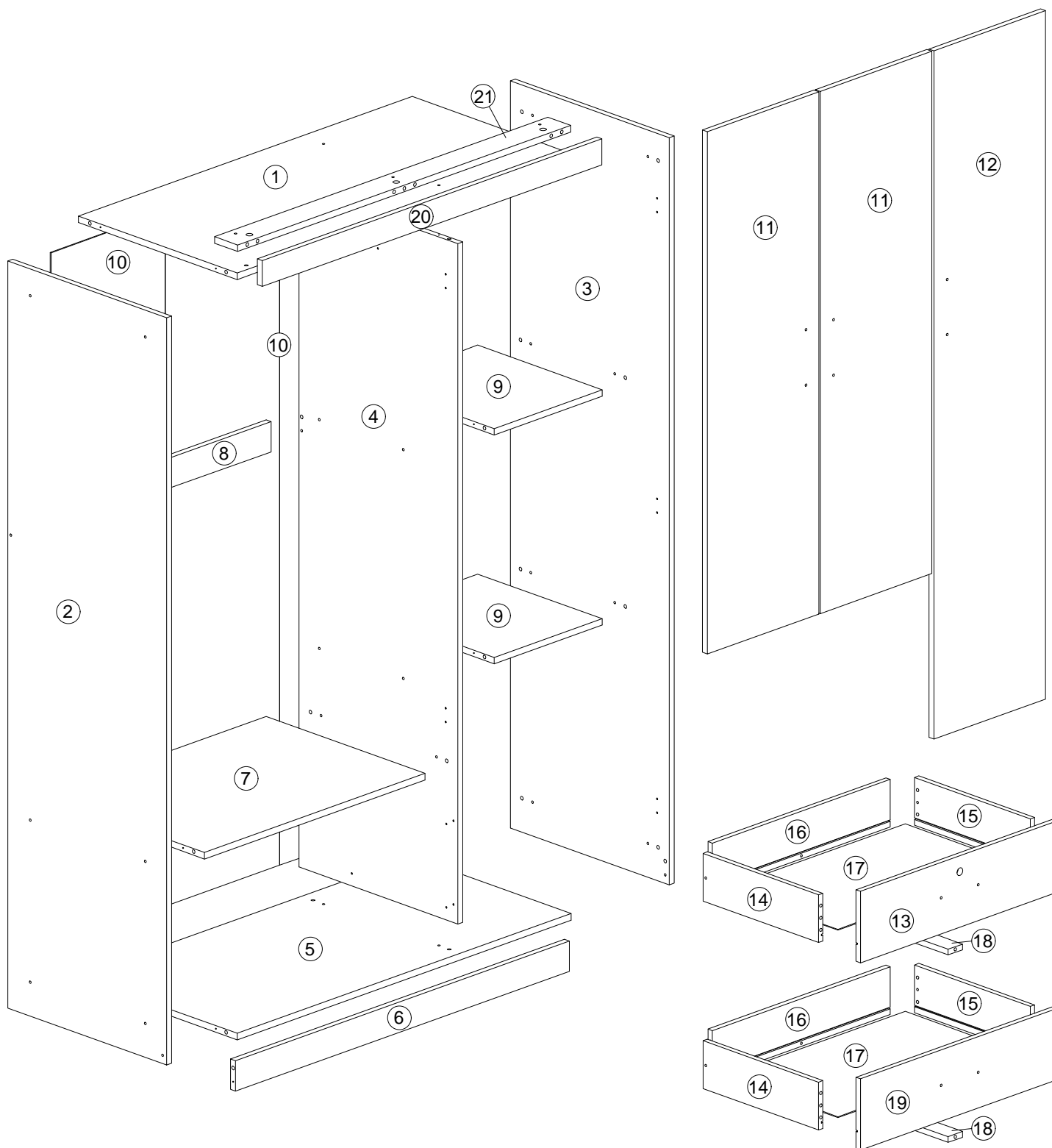


# Assembly Instruction



# Assembly Instruction

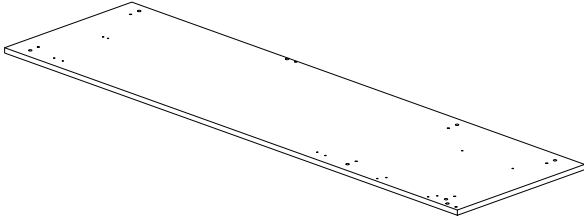
Detail :



# Assembly Instruction

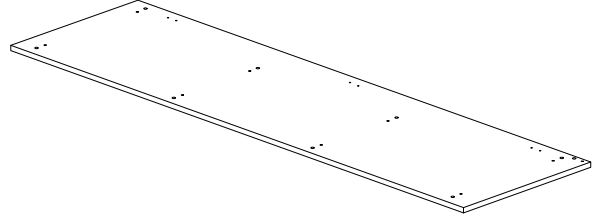
## Part List

② X 1



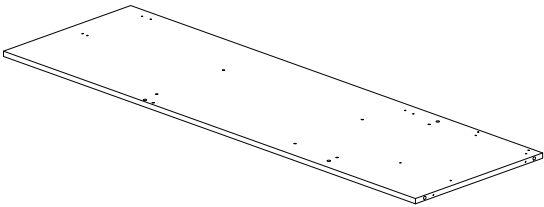
Side Left Panel

③ X 1



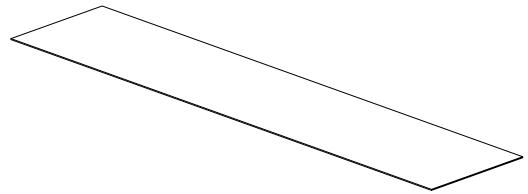
Side Right Panel

④ X 1



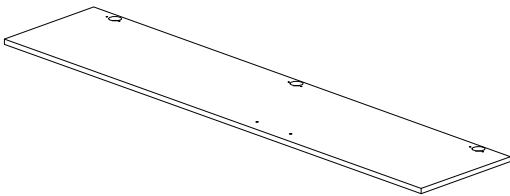
Center Panel

⑩ X 3



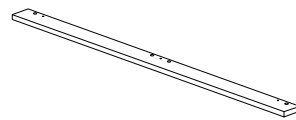
Back Panel

⑫ X 1



Door Panel - Big

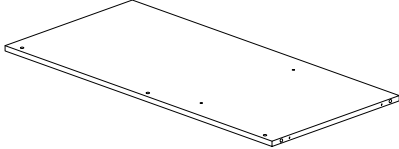
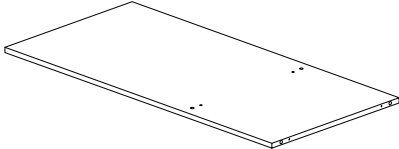
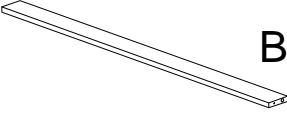
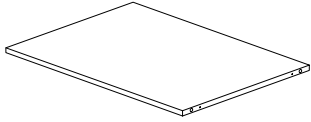
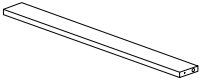
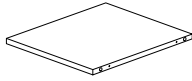
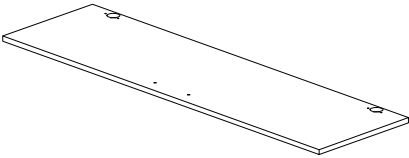
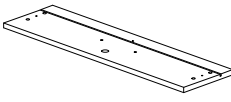
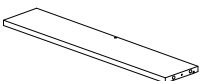

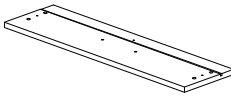

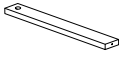
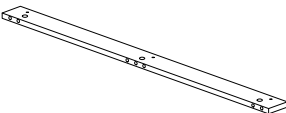
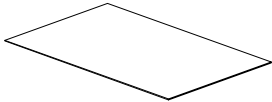
⑳ X 1



Front Panel

# Assembly Instruction

## Part List





<p>① X 1</p>  <p>Top Panel</p>	<p>⑤ X 1</p>  <p>Bottom Panel</p>
<p>⑥ X 1</p>  <p>Bottom Support Panel</p>	<p>⑦ X 1</p>  <p>Partition Big Panel</p>
<p>⑧ X 1</p>  <p>Back Support Panel</p>	<p>⑨ X 2</p>  <p>Partition Small Panel</p>
<p>⑪ X 2</p>  <p>Door Panel - Small</p>	<p>⑬ X 1</p>  <p>Drawer Up Front Panel</p> <p>⑯ X 2</p>  <p>Drawer Back Panel</p>
<p>⑭ X 2</p>  <p>Drawer Side Left Panel</p>	<p>⑲ X 1</p>  <p>Drawer Down Front Panel</p>
<p>⑮ X 2</p>  <p>Drawer Side Right Panel</p>	<p>⑱ X 2</p>  <p>Drawer Support Panel</p>
<p>⑳ X 1</p>  <p>Top Support Panel</p>	<p>㉑ X 2</p>  <p>Drawer Bottom Panel</p>

# Assembly Instruction

## Hardware List

No.	SHAPE	DESCRIPTION	Qty.
A		8x25mm Dowel	48Pcs
B		8x20mm Dowel	3Pcs
C		15mm Myfix Minifix	9Sets
D		M3.5x16mm Screw	80Pcs
E		M4x45mm Screw	34Pcs
F		V Bracket	2Pcs
G		L Bracket	1Pc
H		Handle KT179.128mm	5Pcs
I		M4x28mm Screw	13Pcs
J		Hinges 2/8	7Pcs
K		5/8 Nail With Pin	6Pcs
L		6/8 Power Pin	50Pcs
M		Drawer Lock	1Pc
N		Drawer Lock Support H10.9	1Pc
O		Drawer Slide (350mm)	2Sets
P		Aluminium Pipe(667mm)	1Pc
Q		Sticker	17Pcs

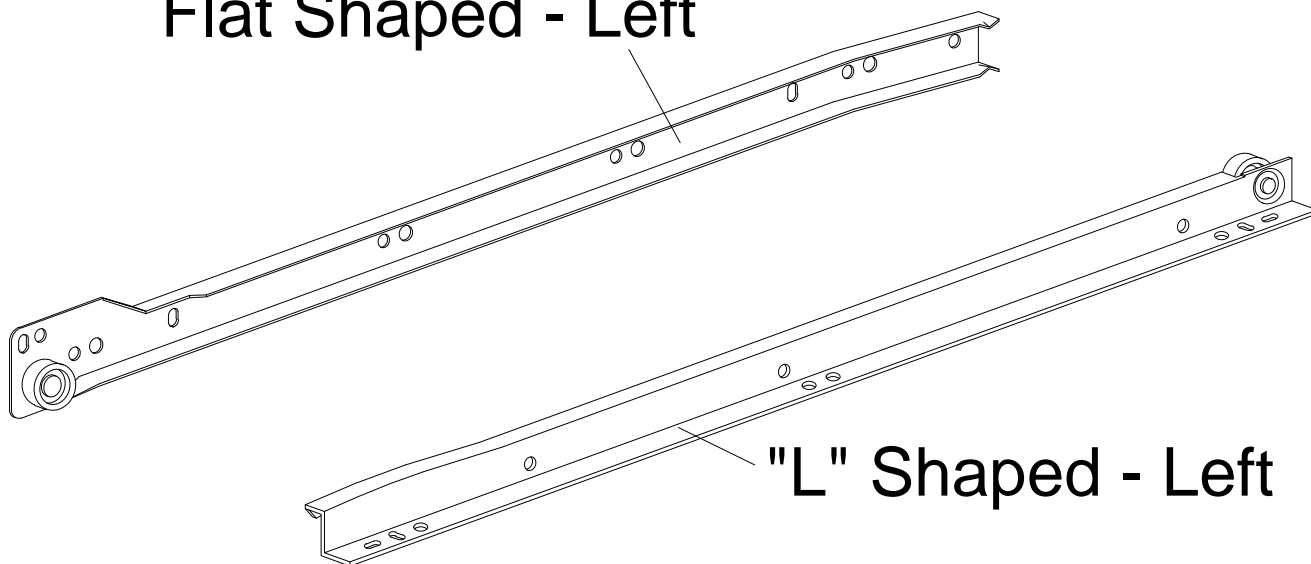
## Anti Tipping Hardware

No.	SHAPE	DESCRIPTION	Qty.
a		Mounting Bracket	2Pcs
b		TP 6# x 5/8" Screw	1Pc
c		TP 8# x 2" Screw	1Pc
d		Restraint Strap	1Pc

# Assembly Instruction

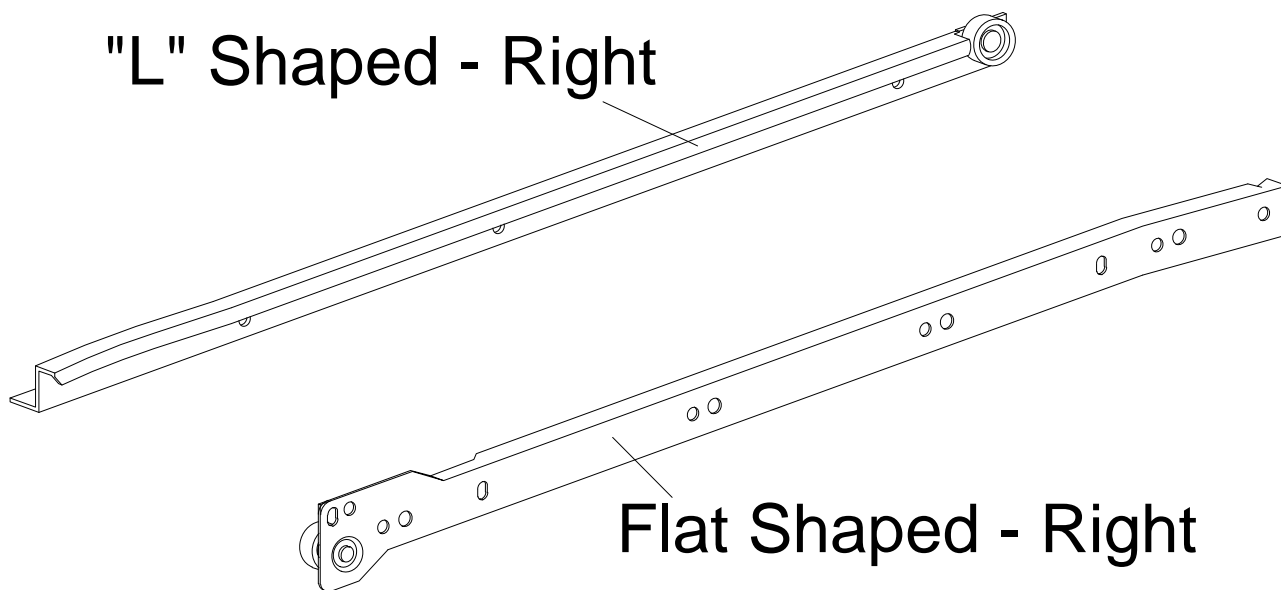
## Left Drawer Silde (O)

Flat Shaped - Left




## Right Drawer Silde (O)

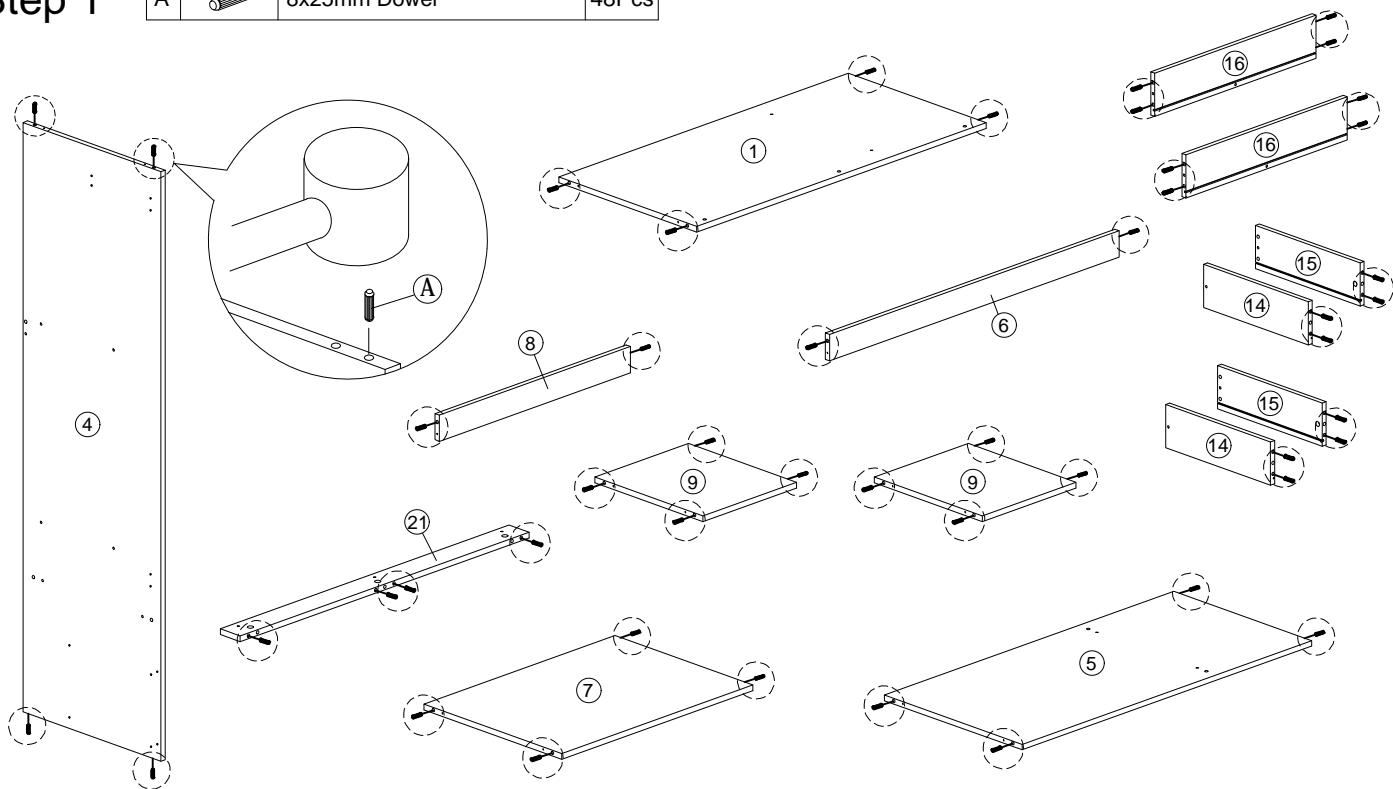
"L" Shaped - Right




# Assembly Instruction

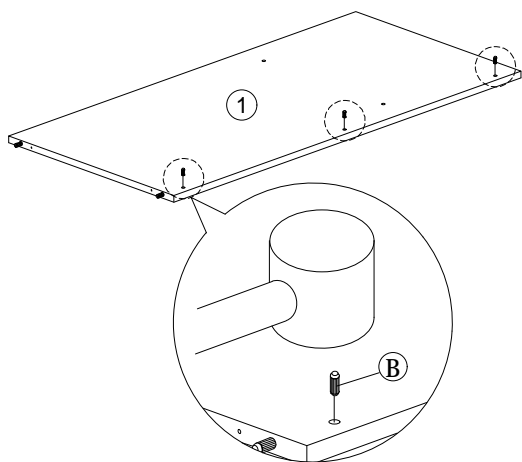
## Step 1

A		8x25mm Dowel	48Pcs
---	---	--------------	-------



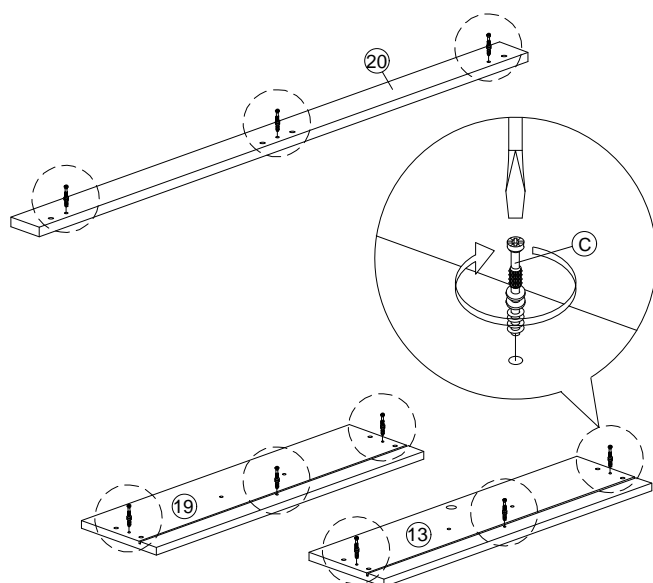
## Step 2

B		8x20mm Dowel	3Pcs
---	---	--------------	------





## Step 3


C		Myfix	9Pcs
---	---	-------	------

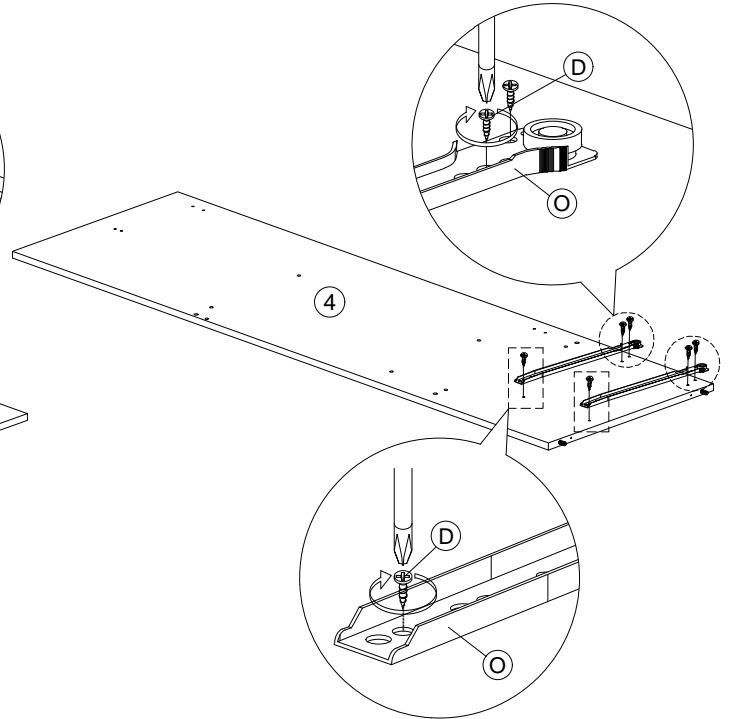
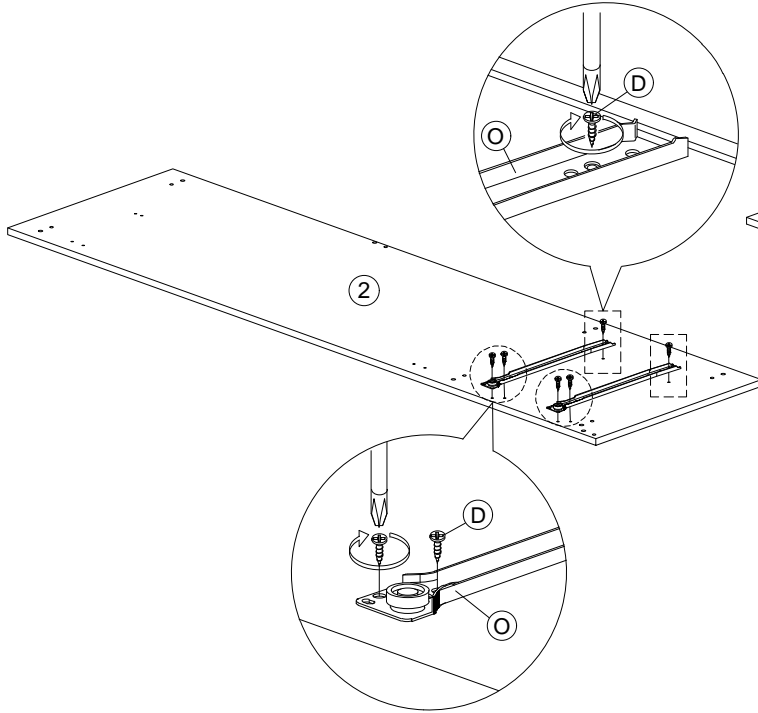


# Assembly Instruction



## Step 4

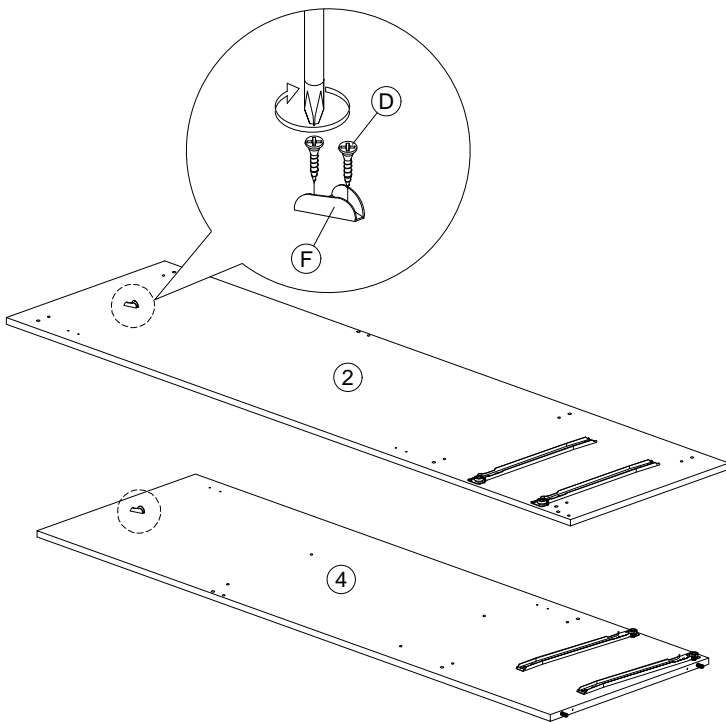
D		M3.5x16mm Screw	12Pcs
O		Drawer Slide 350mm - R	2Pcs

O		Drawer Slide 350mm - L	2Pcs
---	---	------------------------	------

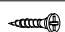



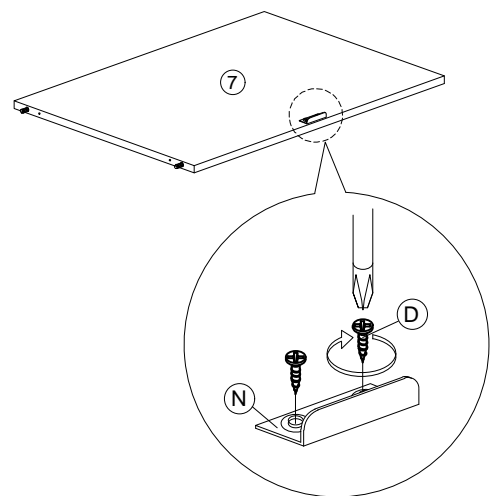
## Step 5

D		M3.5x16mm Screw	4Pcs
F		V Bracket	2Pcs



## Step 6

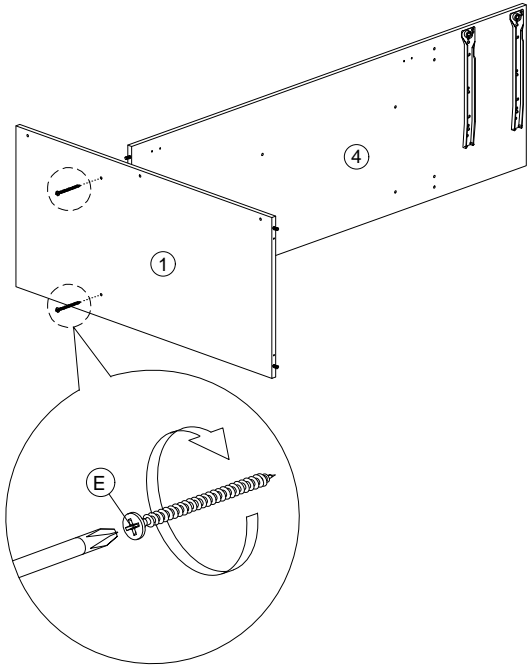
D		M3.5x16mm Screw	2Pcs
N		Drawer Lock Support H10.9	1Pc



# Assembly Instruction

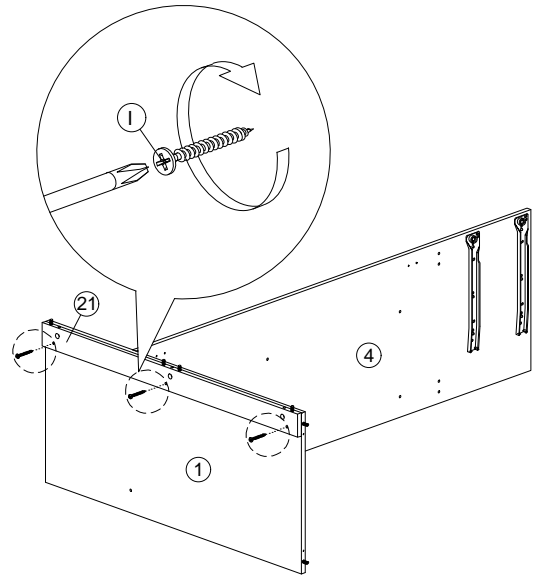
Step 7

E		M4x45mm Screw	2Pcs
---	---	---------------	------



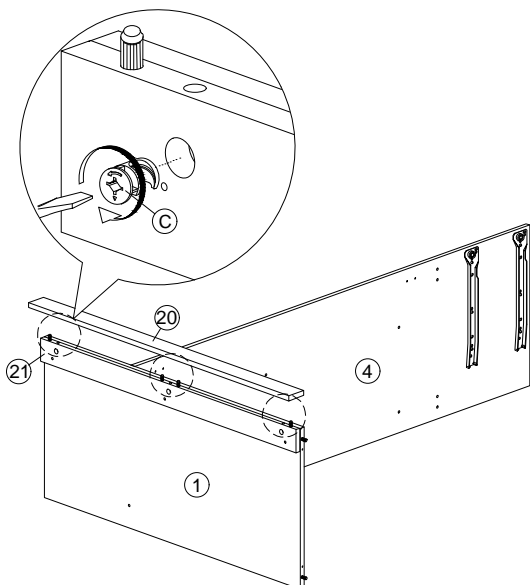
Step 8

I		M4x28mm Screw	3Pcs
---	---	---------------	------




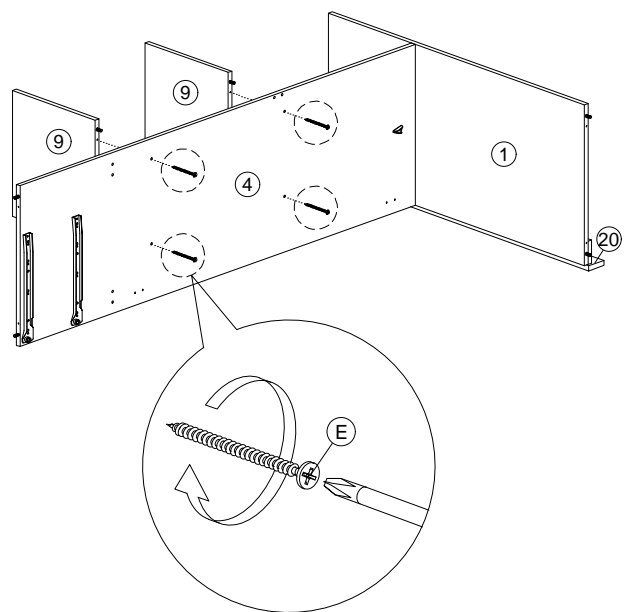
Step 9

C		Minifix	3Pcs
---	---	---------	------




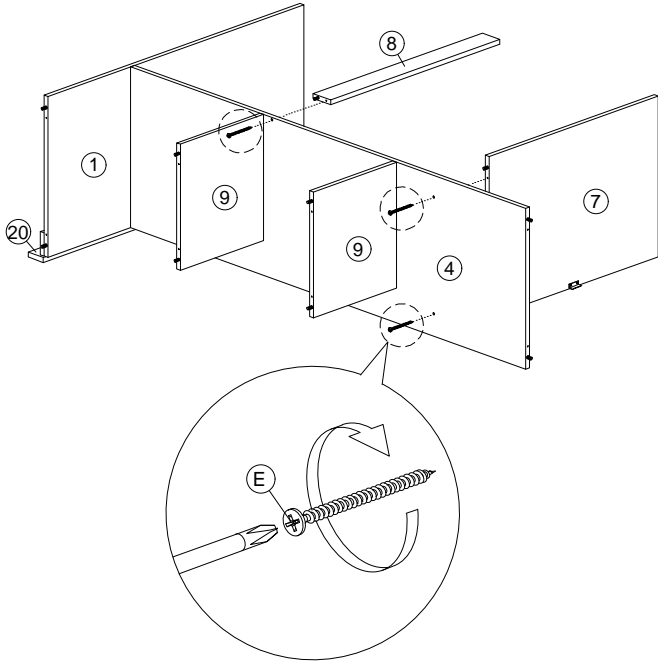
Step 10


E		M4x45mm Screw	4Pcs
---	---	---------------	------

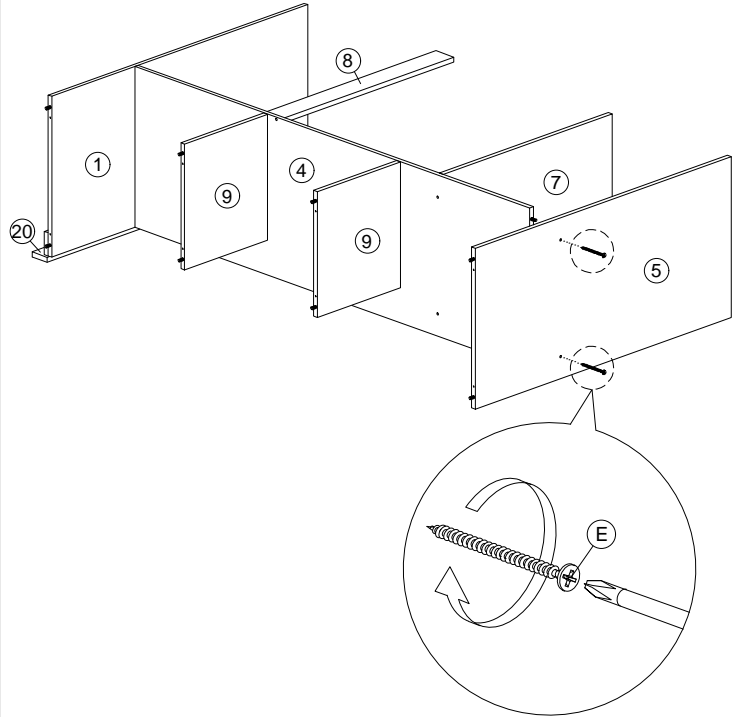



# Assembly Instruction

Step 11 E  M4x45mm Screw 3Pcs

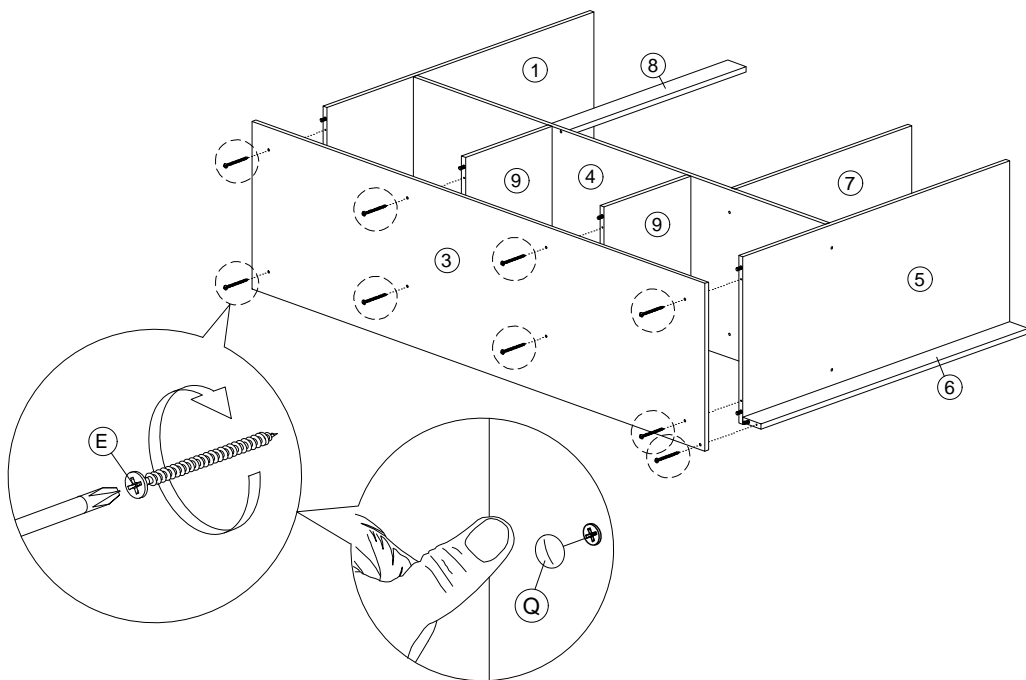


Step 12 E  M4x45mm Screw 2Pcs





Step 13 E  M4x45mm Screw 9Pcs

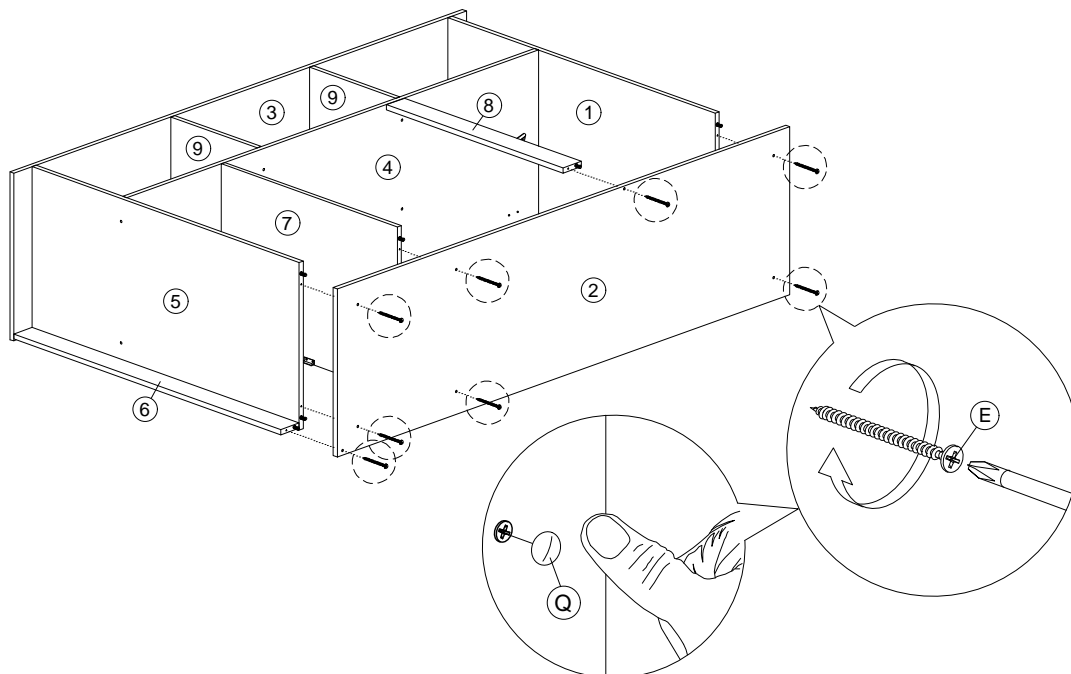
Q  Sticker 9Pcs




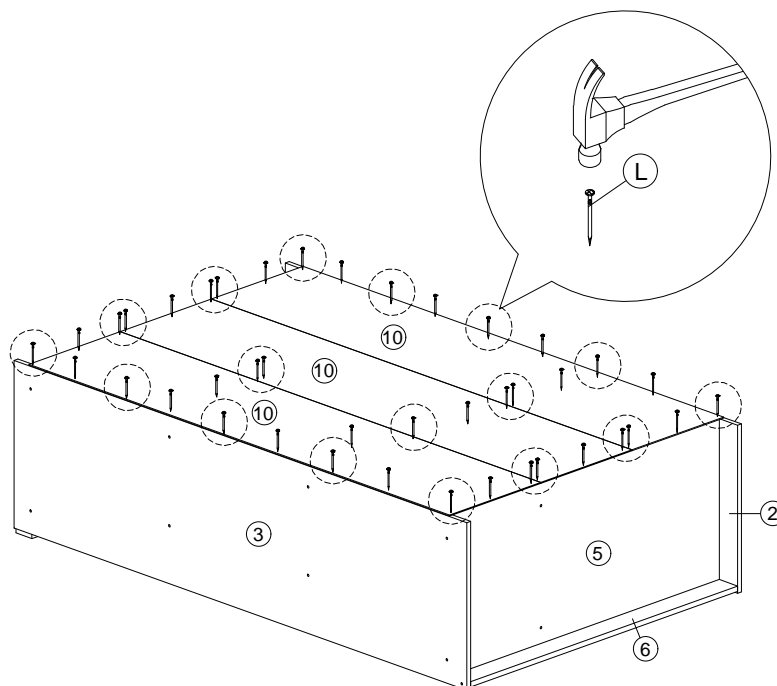
# Assembly Instruction

Step 14 E  M4x45mm Screw 8Pcs

Q  Sticker 8Pcs





Step 15 L  6/8 Power Pin 50Pcs

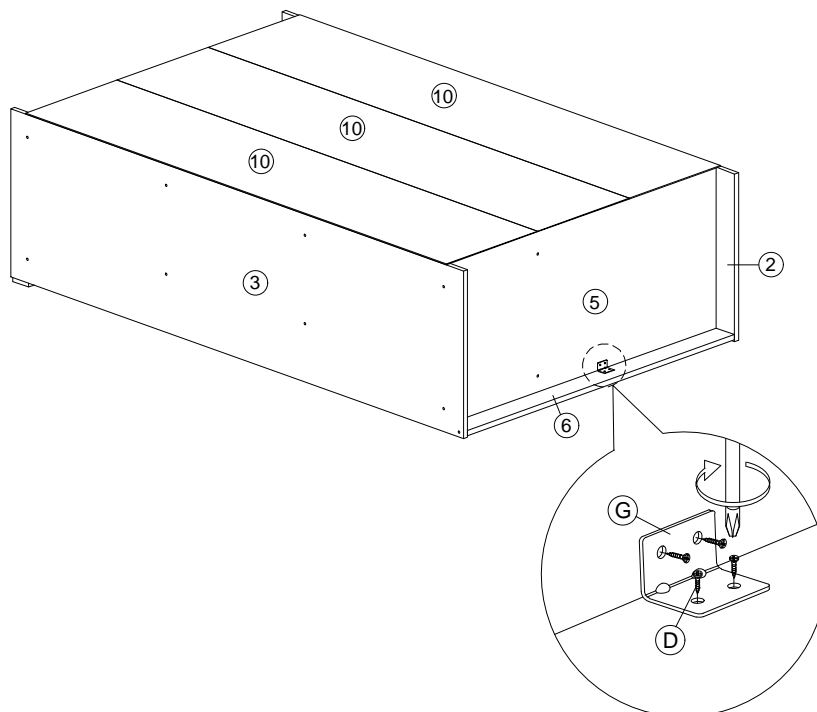


# Assembly Instruction


Step 16

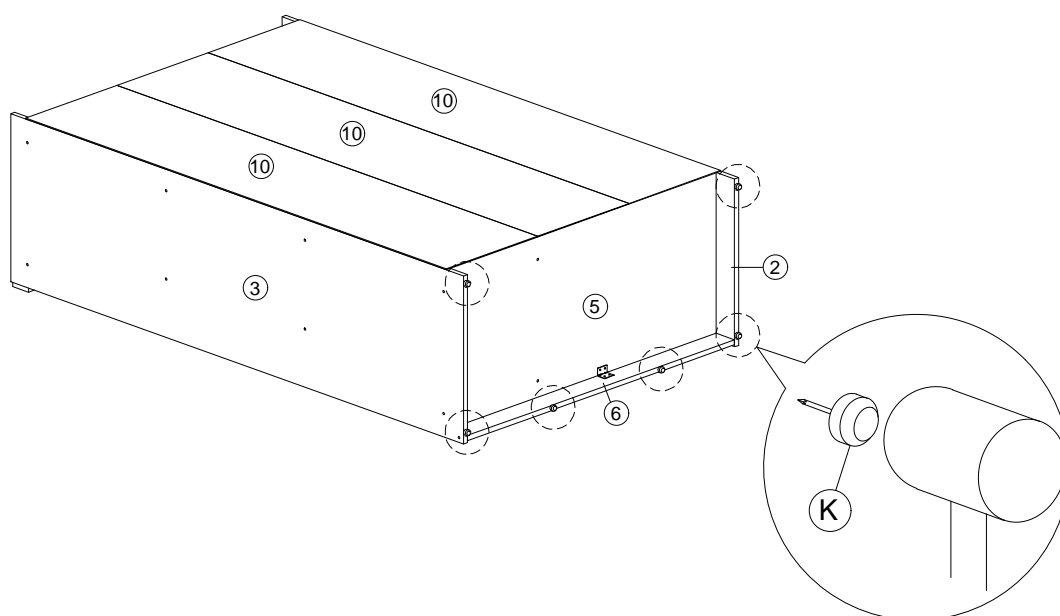
D		M3.5x16mm Screw	4Pcs
---	---	-----------------	------

G		L Bracket	1Pc
---	---	-----------	-----




Step 17

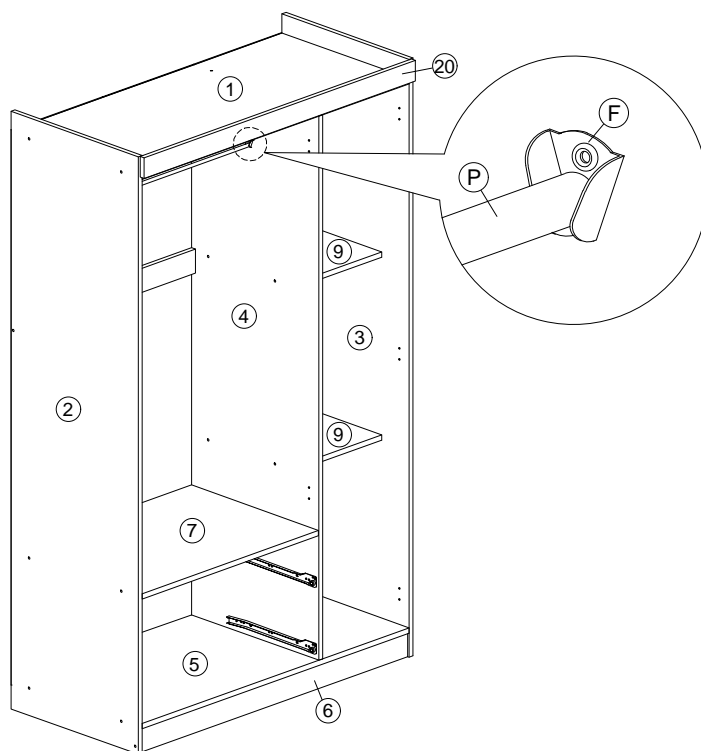
K		5/8 Nail With Pin	6Pcs
---	---	-------------------	------




# Assembly Instruction


Step 18

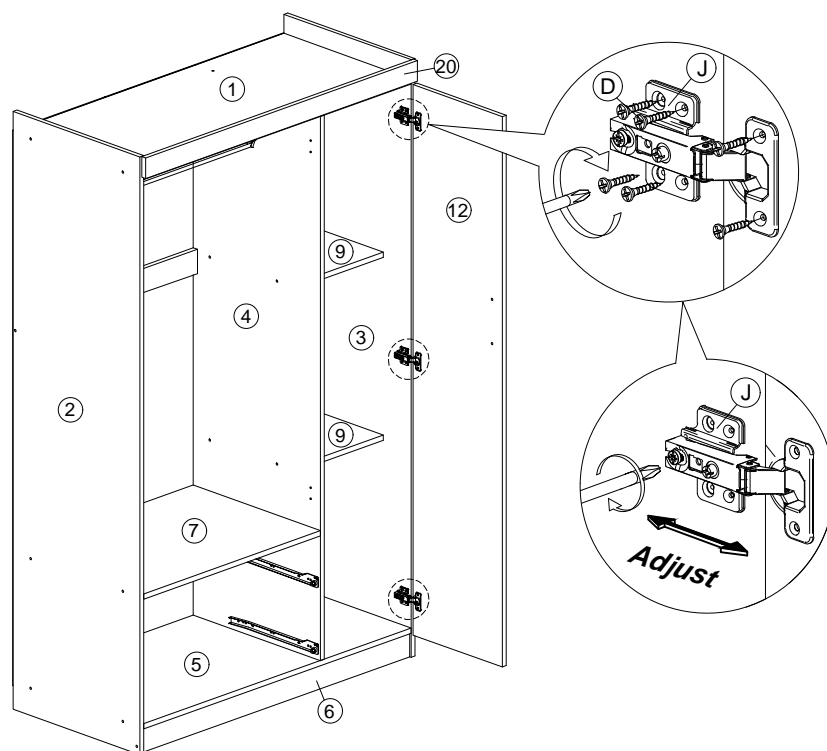
P		Aluminium Pipe 667mm	1Pc
---	---	----------------------	-----



Step 19


D		M3.5x16mm Screw	18Pcs
---	---	-----------------	-------


J		Hinges 2/8	3Pcs
---	---	------------	------

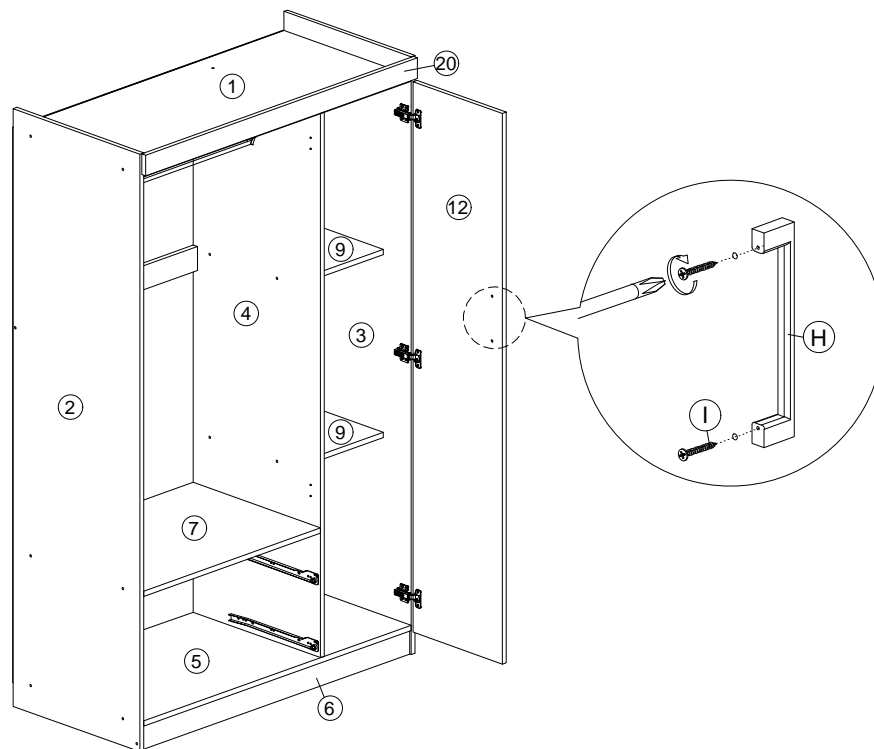


# Assembly Instruction


## Step 20


H		Handle KT179.128mm	1Pc
---	---	--------------------	-----

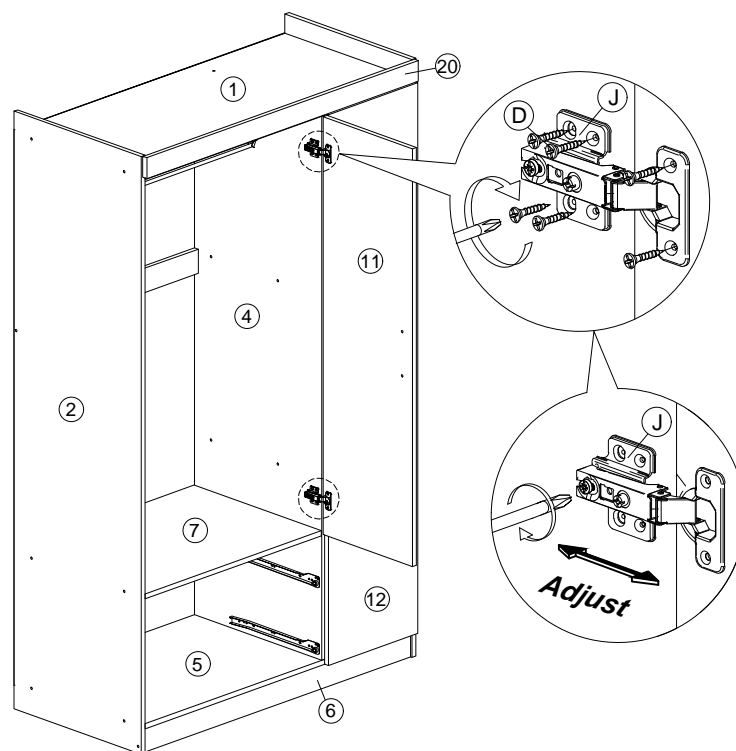
I		M4x28mm Screw	2Pcs
---	---	---------------	------



## Step 21


D		M3.5x16mm Screw	12Pcs
---	---	-----------------	-------


J		Hinges 2/8	2Pcs
---	---	------------	------

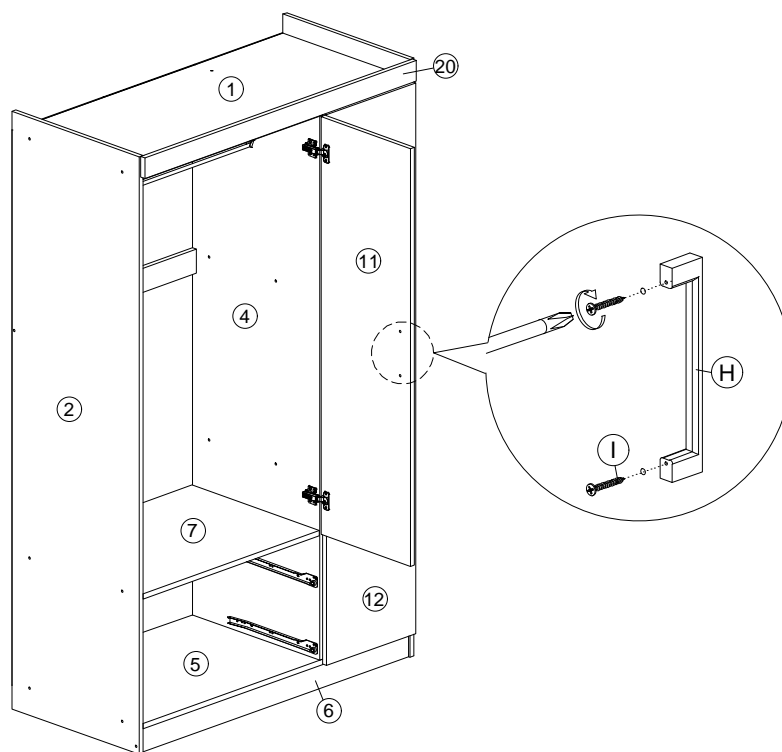


# Assembly Instruction


## Step 22


H		Handle KT179.128mm	1Pc
---	---	--------------------	-----

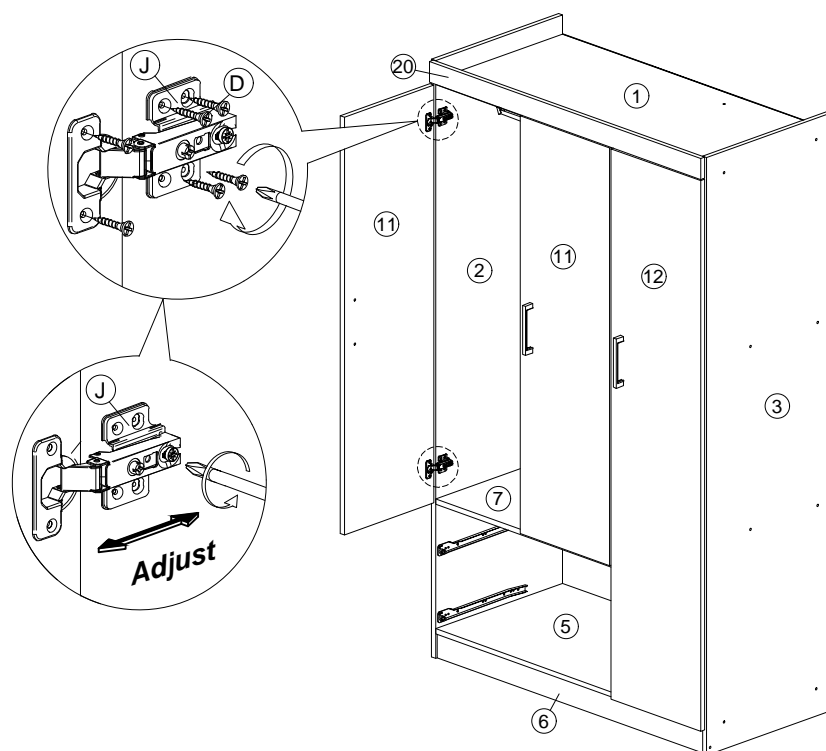
I		M4x28mm Screw	2Pcs
---	---	---------------	------



## Step 23


D		M3.5x16mm Screw	12Pcs
---	---	-----------------	-------


J		Hinges 2/8	2Pcs
---	---	------------	------

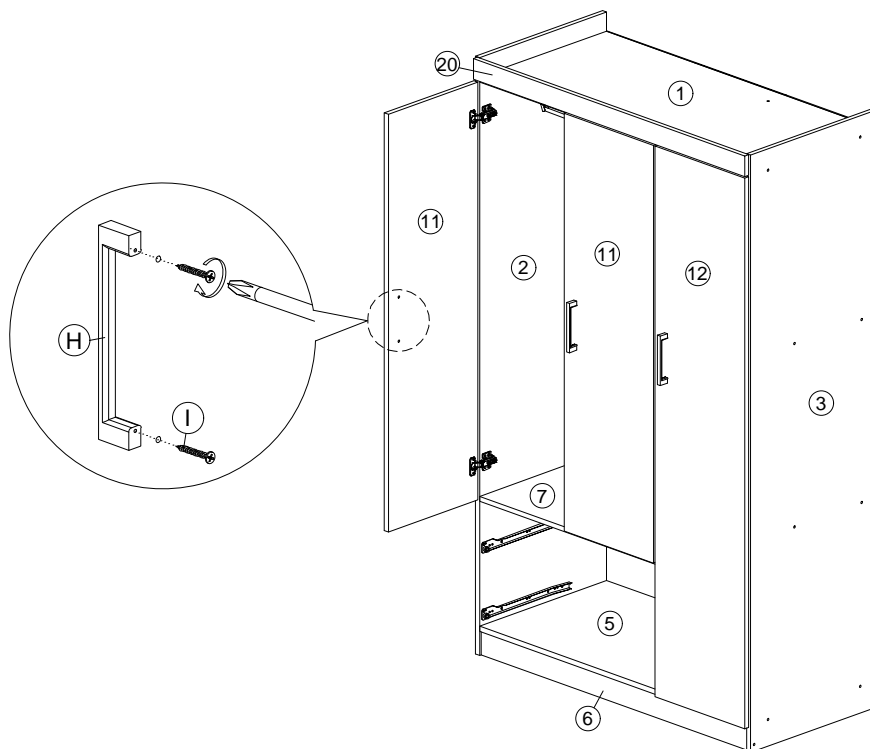


# Assembly Instruction


Step 24

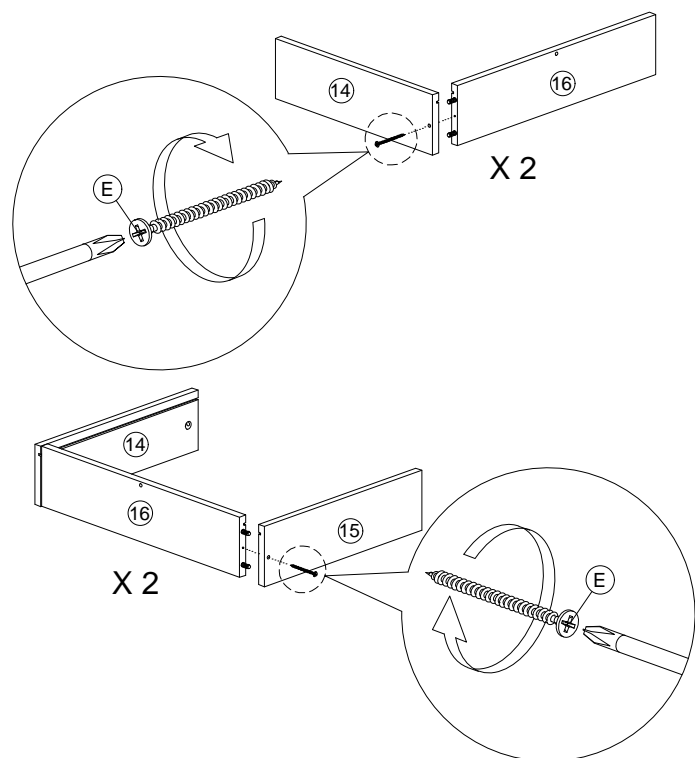
H		Handle KT179.128mm	1Pc
---	---	--------------------	-----

I		M4x28mm Screw	2Pcs
---	---	---------------	------




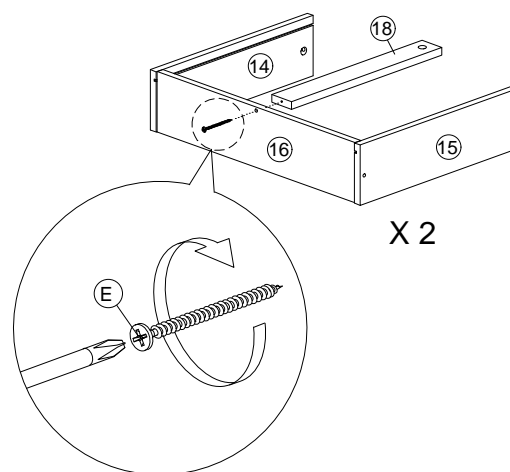
Step 25

E		M4x45mm Screw	4Pcs
---	---	---------------	------



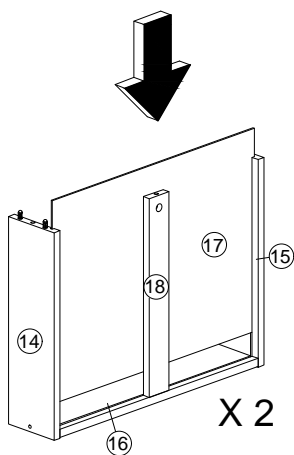
Step 26

E		M4x45mm Screw	2Pcs
---	---	---------------	------



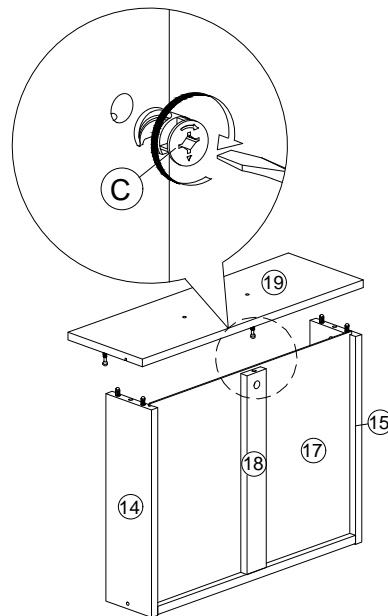
# Assembly Instruction

## Step 27



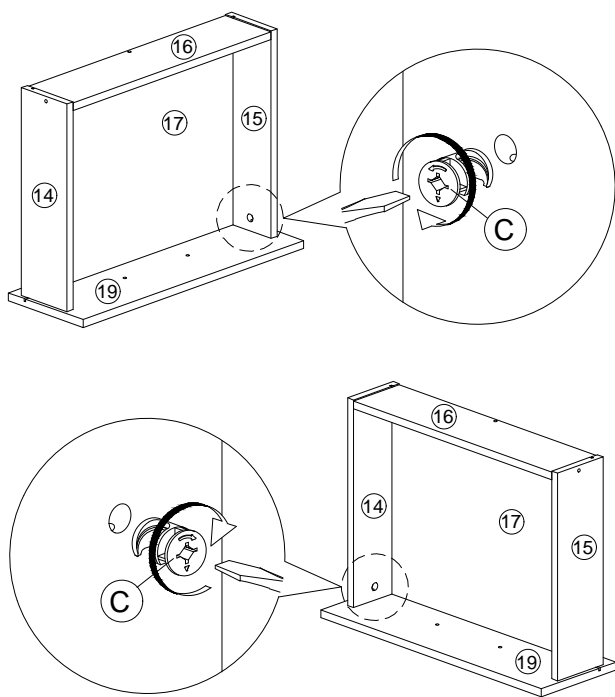
## Step 28

C		Minifix	1Pc
---	--	---------	-----



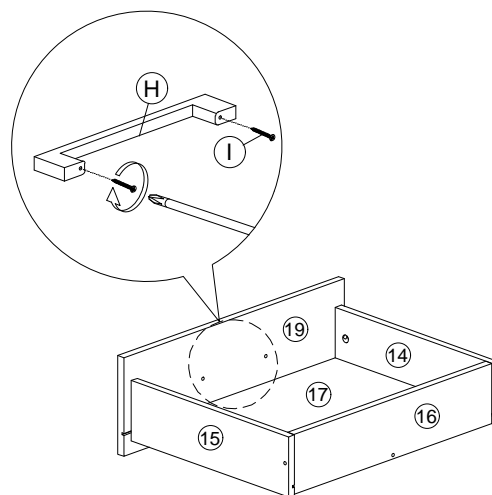
## Step 29

C		Minifix	2Pcs
---	--	---------	------




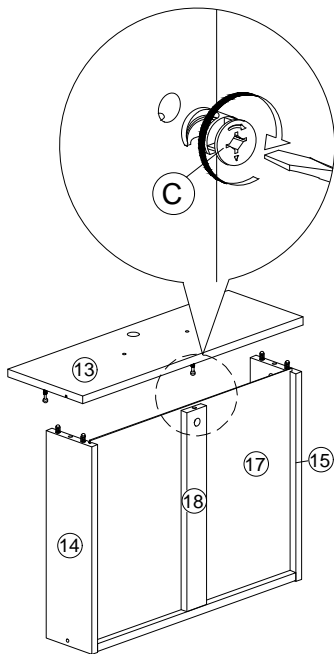
## Step 30


H		Handle KT179.128mm	1Pc
I		M4x28mm Screw	2Pcs

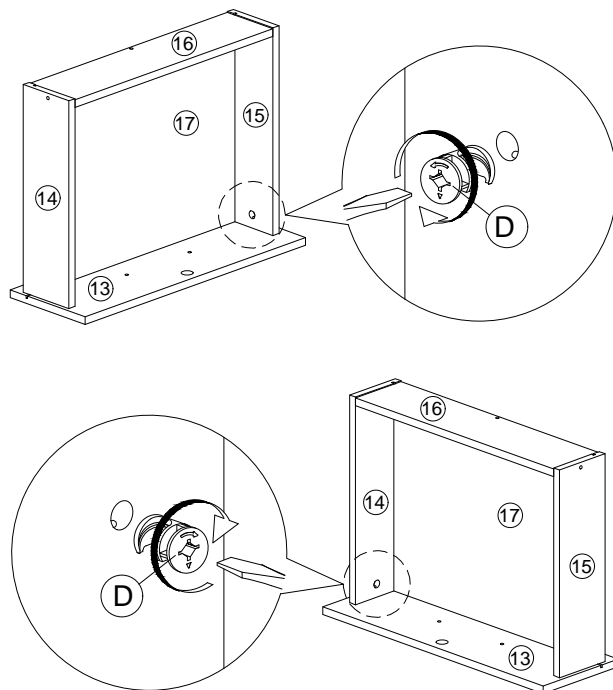




# Assembly Instruction

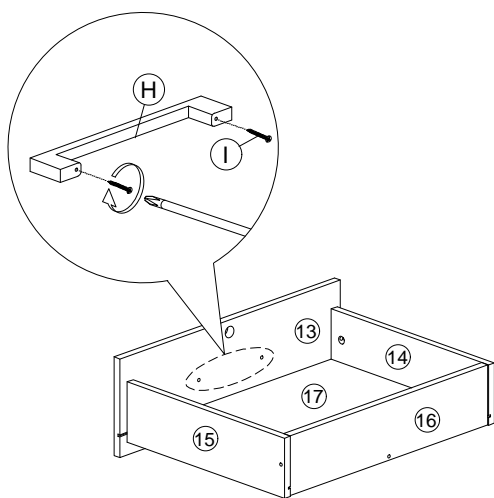
**Step 31** C  Minifix 1Pc





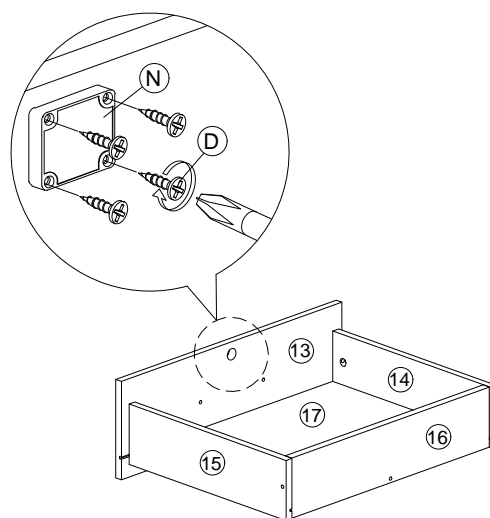
**Step 32** C  Minifix 2Pcs



**Step 33** H  Handle KT179.128mm 1Pc  
I  M4x28mm Screw 2Pcs





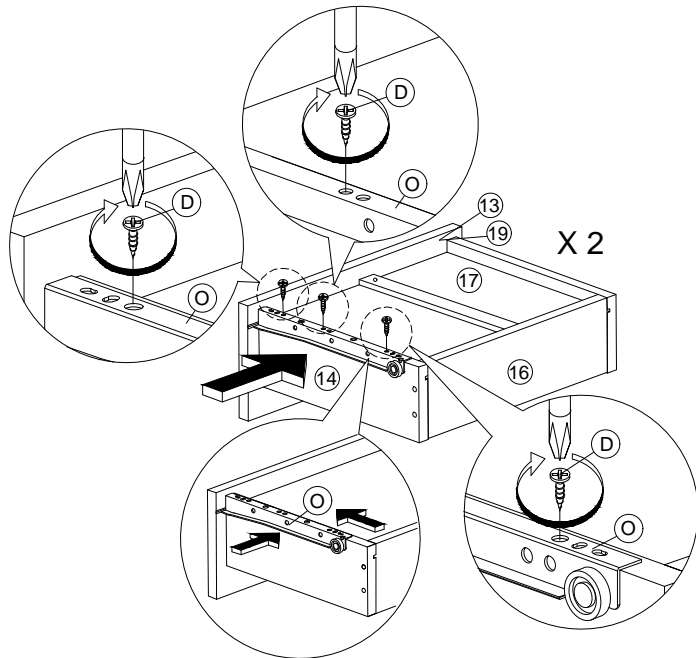
**Step 34** D  M3.5x16mm Screw 4Pcs  
N  Drawer Lock 1Pc





# Assembly Instruction

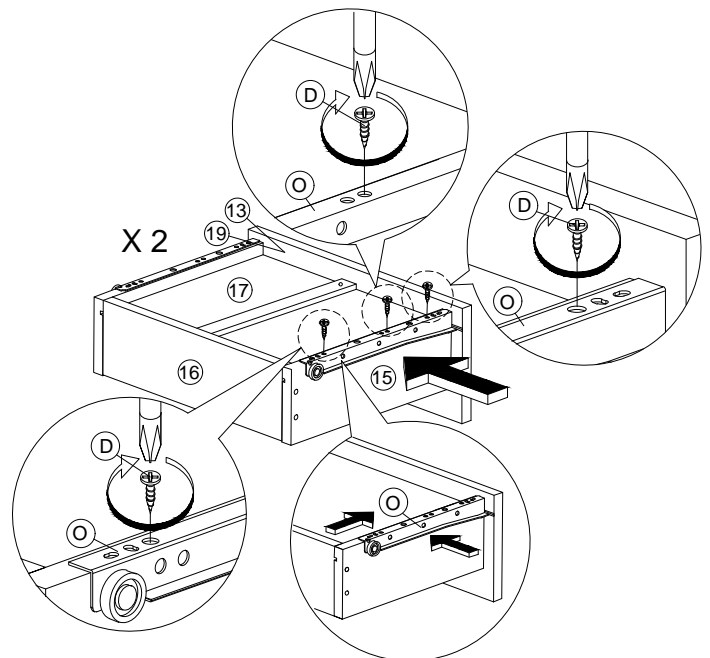
## Step 35

D		M3.5x16mm Screw	6Pcs
O		Drawer Slide 350mm - R	2Pcs

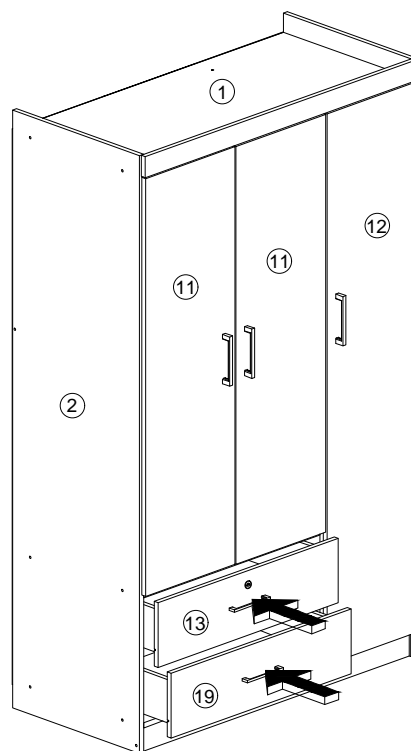


## Step 36

D		M3.5x16mm Screw	6Pcs
O		Drawer Slide 350mm - L	2Pcs



## Step 37



# FITTING OF ANTI-TIP SAFETY STRAP

## STEP 1:

- Attach the mounting bracket (a) to the furniture in the solid part below the top panel a few inches away from the side of the unit.
- Screw (b) through the smallest hole of (a).

## STEP 2:

- Locate a stud in behind the have to
- Place the other mounting bracket (a) on the wall stud 2 inches below the mounting bracket secured to the back of your unit.
- Attach to the wall stud using (c) through the smaller hole of (a).

## STEP 3:

- Repeat the same step a few inches away from the other side of the unit.
- Place the furniture into position so both mounting brackets are vertically in line.
- Lace the end of the restraint strap through the larger holes in each mounting bracket.
- Secure the straps and lock into place.

