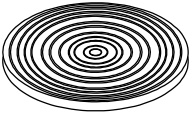
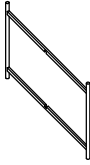


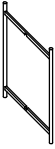
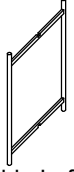

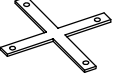


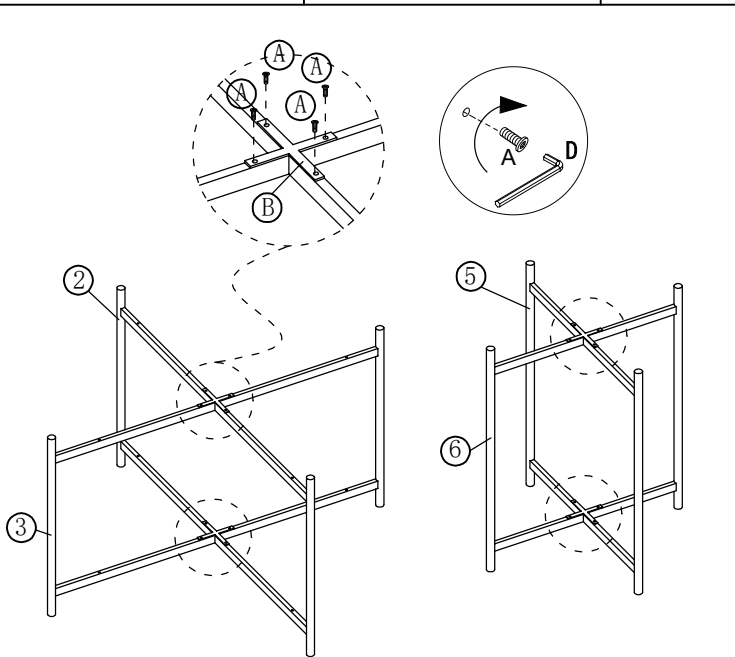


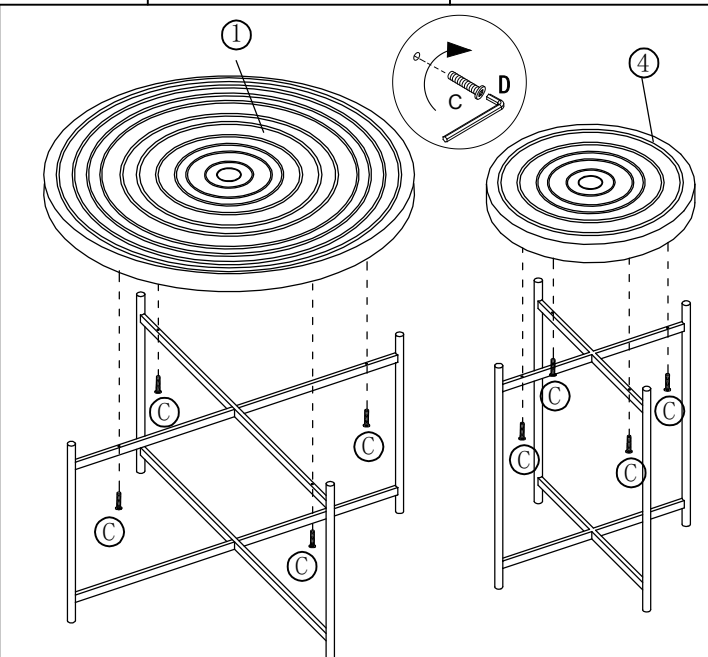
# ASSEMBLY INSTRUCTIONS

**Tips:** Please read this instruction carefully and distinguish similar accessories before you start.

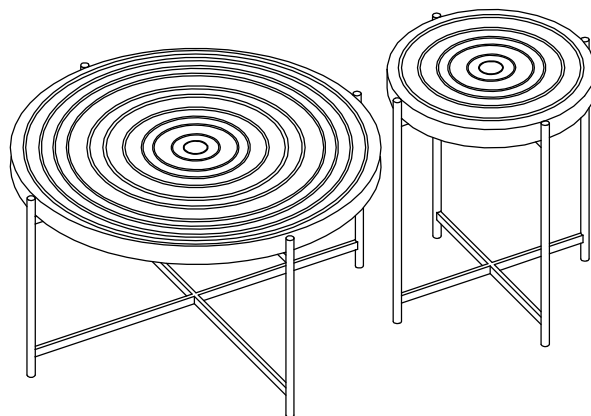
①  Coffee Table Top D80cm	x1	②  Coffee Table Right Leg	x1	③  Coffee Table Left Leg	x1	④  End Table Top D48 cm	x1	⑤  End Table Right Leg	x1
⑥  End Table Left Leg	x1	Ⓐ  D6*12mm	x16	Ⓑ  Leg Connection Iron	x4	Ⓒ  D6*25mm	x8	Ⓓ  L-shaped corner bracket	x1



**step1:** Fix the left&right leg with the connection iron



**step2:** Put the top onto the leg base, then fix with the screw C.



**step3**