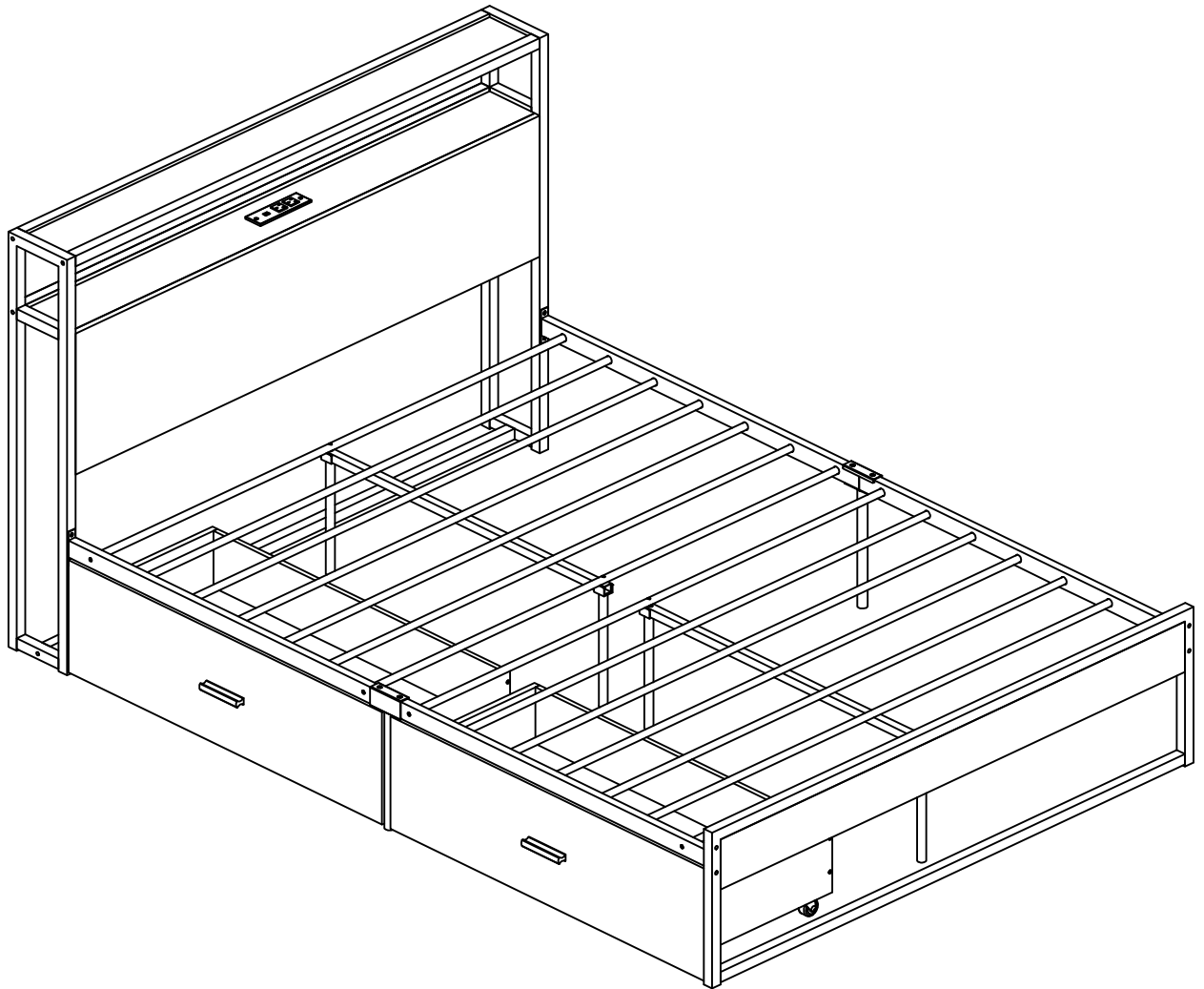
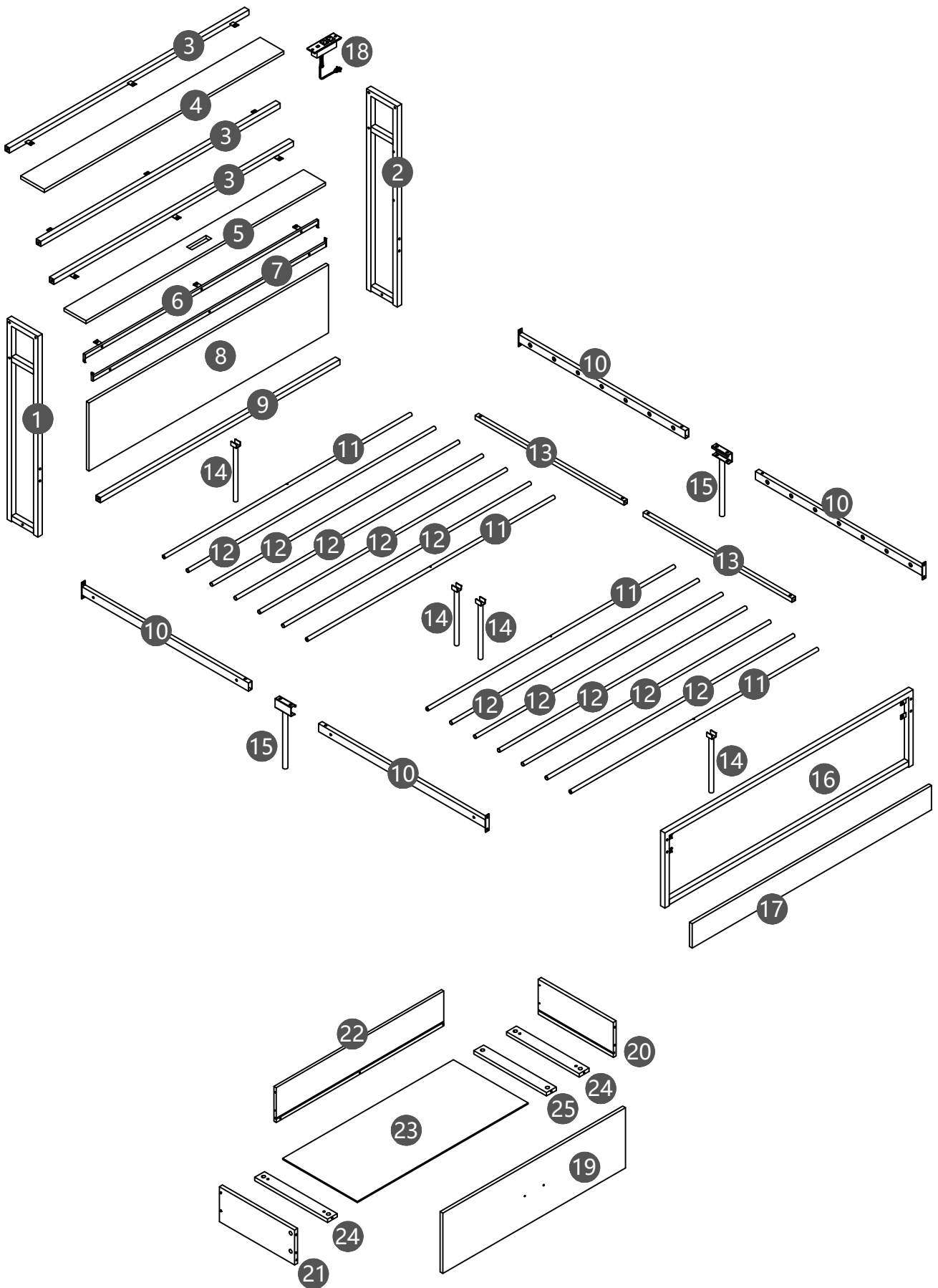


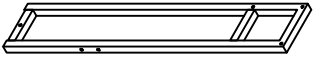

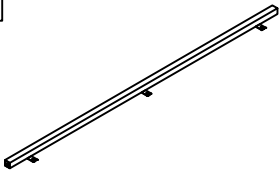
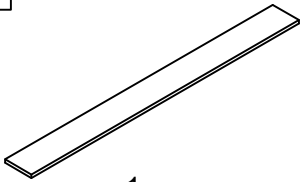
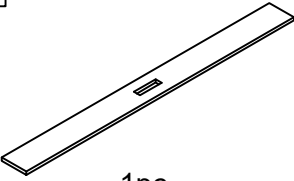
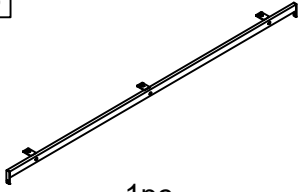
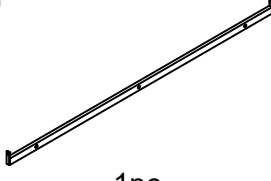
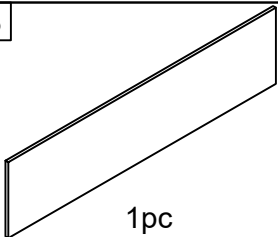
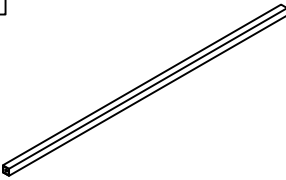
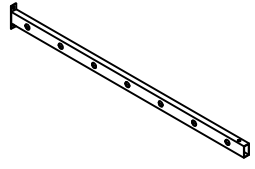
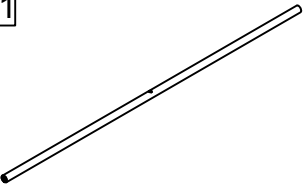
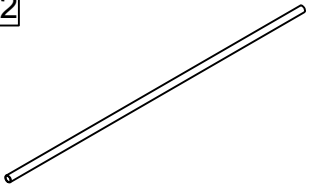
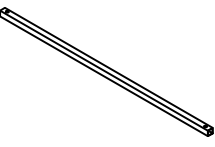

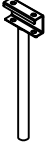
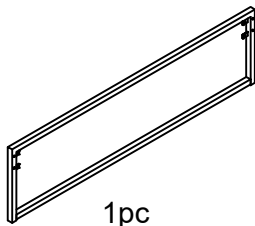
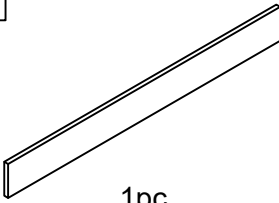
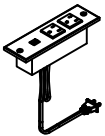
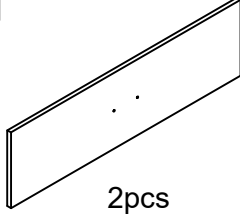
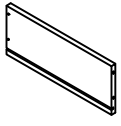
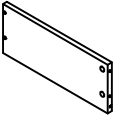
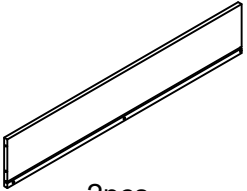
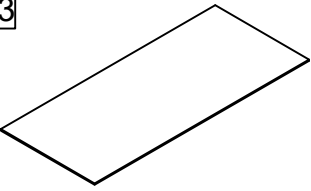
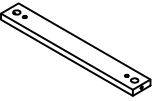
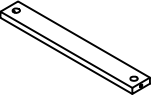
ASSEMBLY INSTRUCTIONS





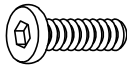

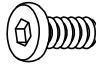
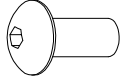
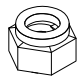

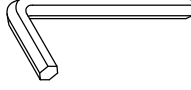
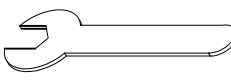
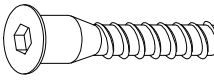

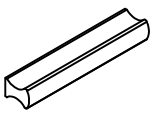
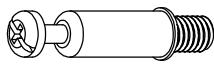

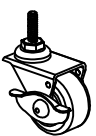

WF290266




Parts List

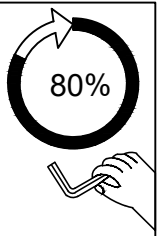
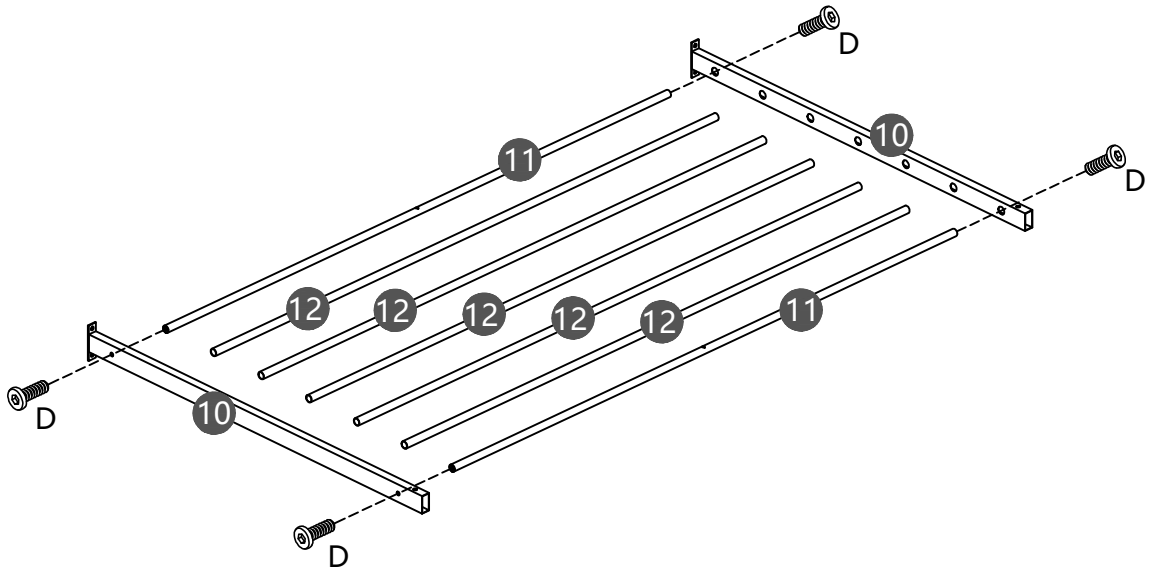
| | | | |
|-----------------------------------------------------------------------------------------------------------|-----------------------------------------------------------------------------------------------------------|------------------------------------------------------------------------------------------------------------|-------------------------------------------------------------------------------------------------------------|
| <p>1</p>  <p>1pc</p> | <p>2</p>  <p>1pc</p> | <p>3</p>  <p>3pcs</p> | <p>4</p>  <p>1pc</p> |
| <p>5</p>  <p>1pc</p> | <p>6</p>  <p>1pc</p> | <p>7</p>  <p>1pc</p> | <p>8</p>  <p>1pc</p> |
| <p>9</p>  <p>1pc</p> | <p>10</p>  <p>4pcs</p> | <p>11</p>  <p>4pcs</p> | <p>12</p>  <p>10pcs</p> |
| <p>13</p>  <p>2pcs</p> | <p>14</p>  <p>4pcs</p> | <p>15</p>  <p>2pcs</p> | <p>16</p>  <p>1pc</p> |
| <p>17</p>  <p>1pc</p> | <p>18</p>  <p>1pc</p> | <p>19</p>  <p>2pcs</p> | <p>20</p>  <p>2pcs</p> |
| <p>21</p>  <p>2pcs</p> | <p>22</p>  <p>2pcs</p> | <p>23</p>  <p>2pcs</p> | <p>24</p>  <p>4pcs</p> |
| <p>25</p>  <p>2pcs</p> | | | |

Hardware List

| | | |
|------------------------------------------------------------------------------------------------------------------------|-------------------------------------------------------------------------------------------------------------------------|-------------------------------------------------------------------------------------------------------------------------|
| <p>A</p>  <p>M6*55mm 8pcs</p> | <p>B</p>  <p>M6*45mm 8pcs</p> | <p>C</p>  <p>M6*20mm 6pcs</p> |
| <p>D</p>  <p>M6*16mm 16pcs</p> | <p>E</p>  <p>M6*12mm 20pcs</p> | <p>F</p>  <p>M6 8pcs</p> |
| <p>G</p>  <p>M6 4pcs</p> | <p>H</p>  <p>M4*14mm 2pcs</p> | <p>I</p>  <p>2pcs</p> |
| <p>J</p>  <p>1pc</p> | <p>K</p>  <p>Ø6*40mm 8pcs</p> | <p>L</p>  <p>4pcs</p> |
| <p>M</p>  <p>2pcs</p> | <p>O</p>  <p>20pcs</p> | <p>P</p>  <p>20pcs</p> |
| <p>Q</p>  <p>4pcs</p> | <p>R</p>  <p>4pcs</p> | |


STEP 1:

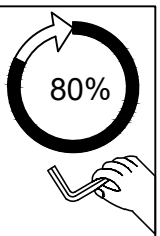
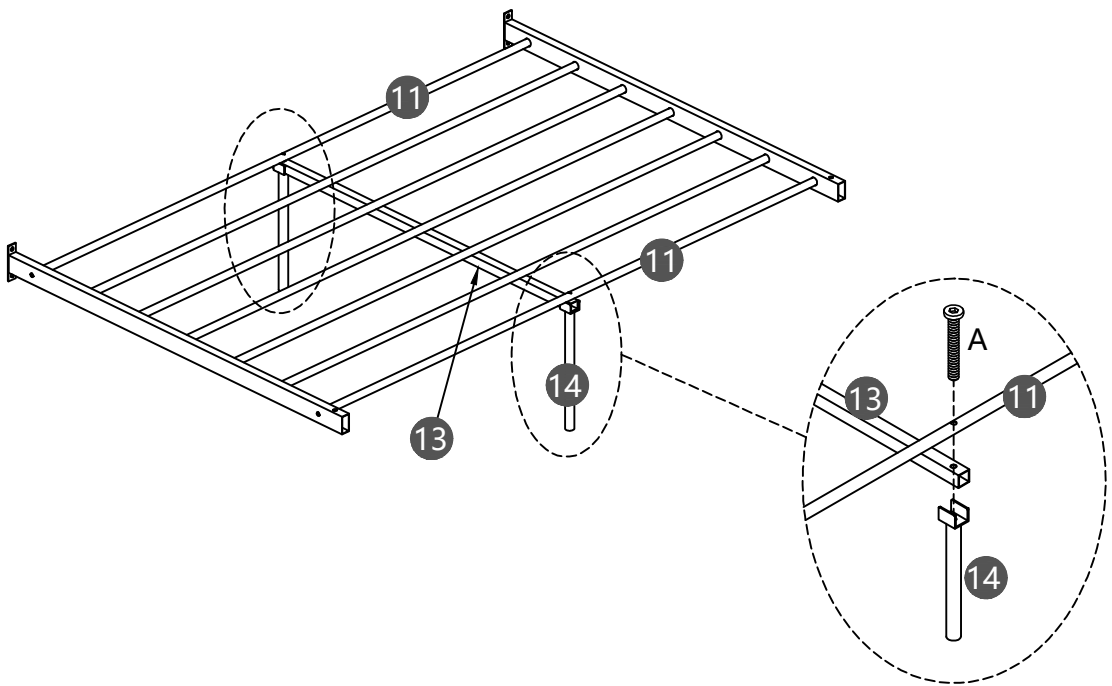
| |
|-------------------------------------------------------------------------------------|
| D |
|  |
| 8PCS |



X 2




STEP 2:

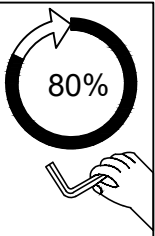
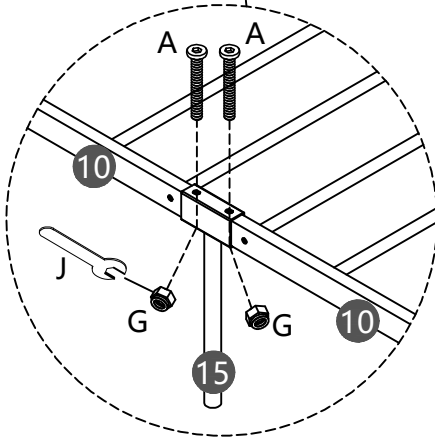
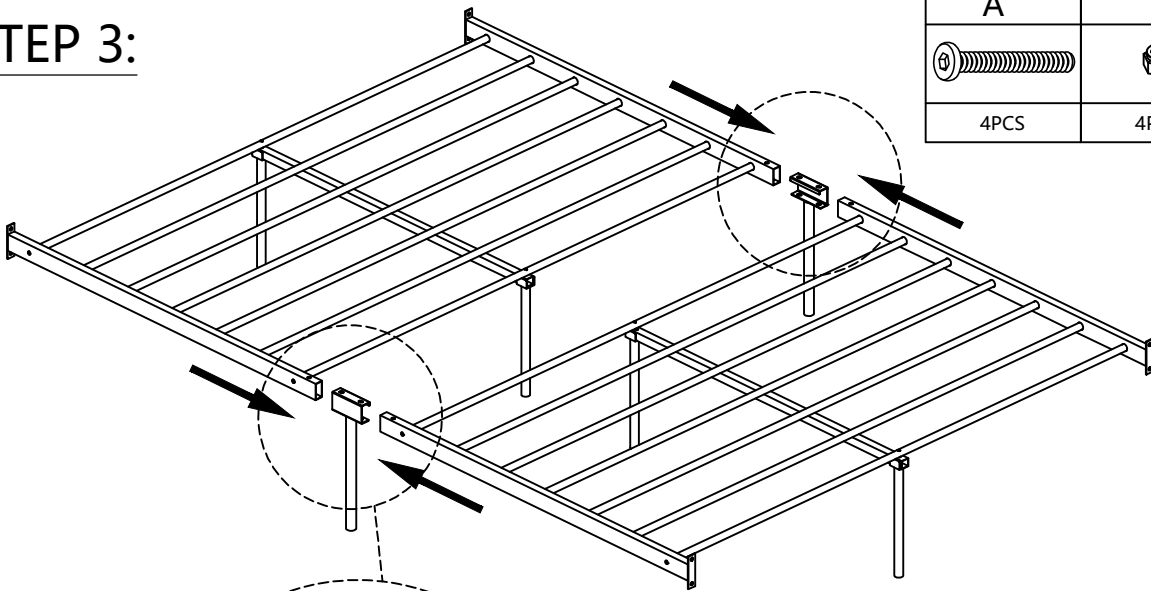
| |
|---------------------------------------------------------------------------------------|
| A |
|  |
| 4PCS |





X 2

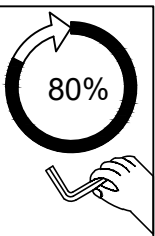
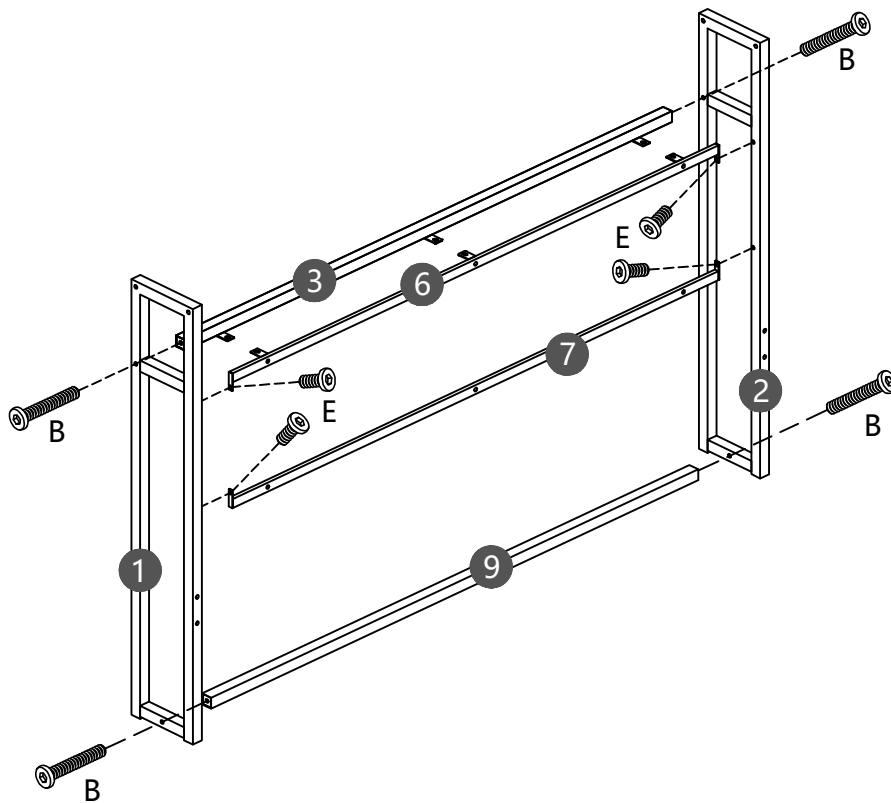
STEP 3:

| | | |
|-------------------------------------------------------------------------------------|-------------------------------------------------------------------------------------|-------------------------------------------------------------------------------------|
| A | G | J |
|  |  |  |
| 4PCS | 4PCS | 1PC |





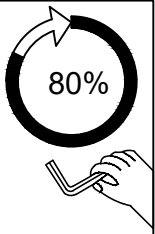
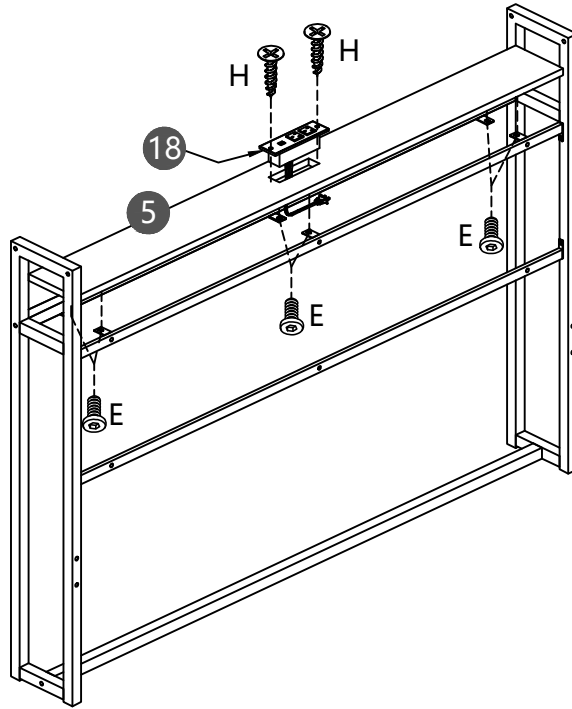
STEP 4:

| | |
|---------------------------------------------------------------------------------------|---------------------------------------------------------------------------------------|
| B | E |
|  |  |
| 4PCS | 4PCS |




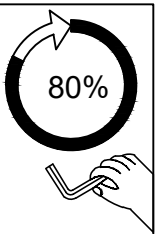
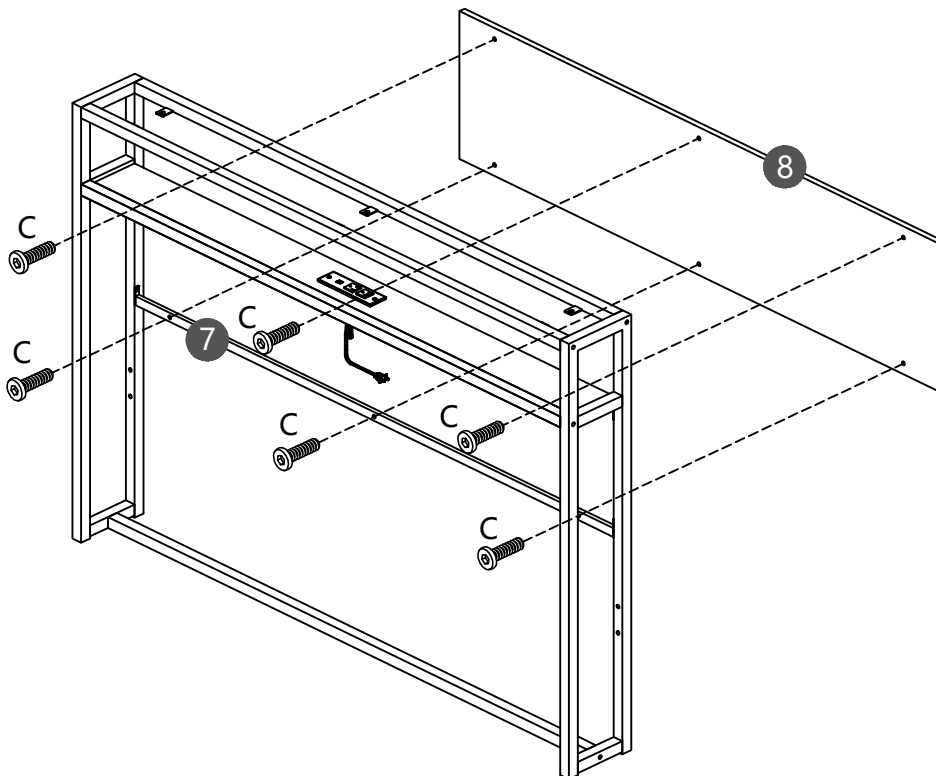
STEP 5:

| E | H |
|-------------------------------------------------------------------------------------|-------------------------------------------------------------------------------------|
|  |  |
| 6PCS | 2PCS |

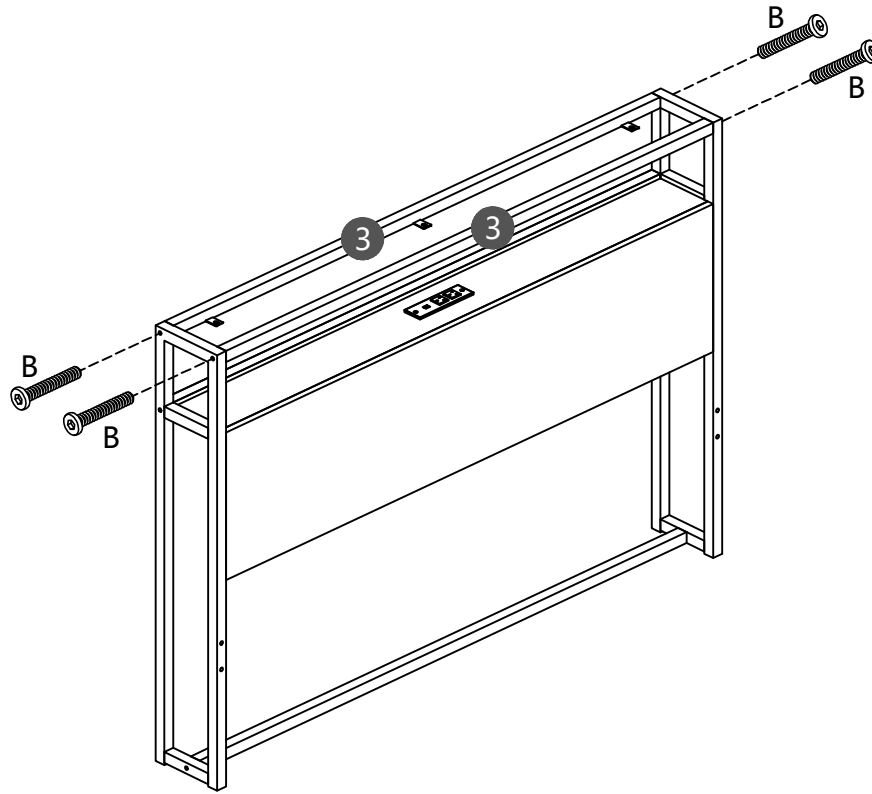



STEP 6:

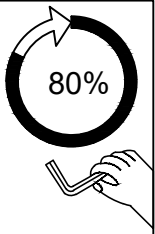
| C |
|---------------------------------------------------------------------------------------|
|  |
| 6PCS |



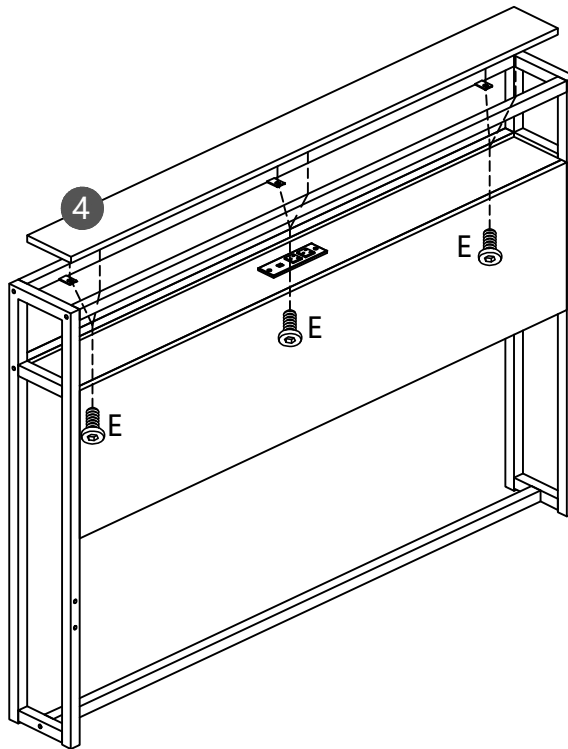
STEP 7:




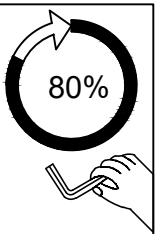
| |
|-------------------------------------------------------------------------------------|
| B |
|  |
| 4PCS |




STEP 8:

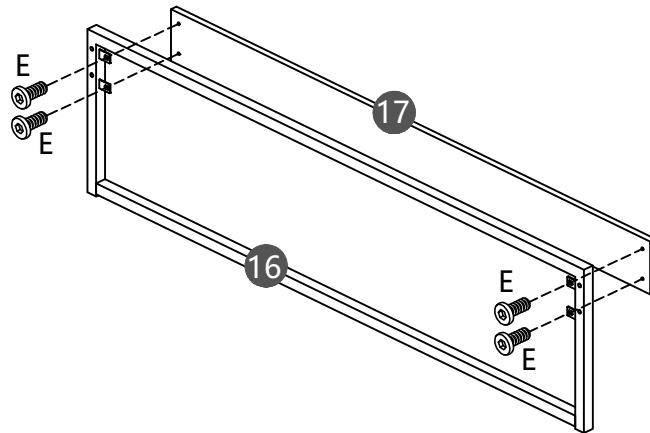


| |
|---------------------------------------------------------------------------------------|
| E |
|  |
| 6PCS |





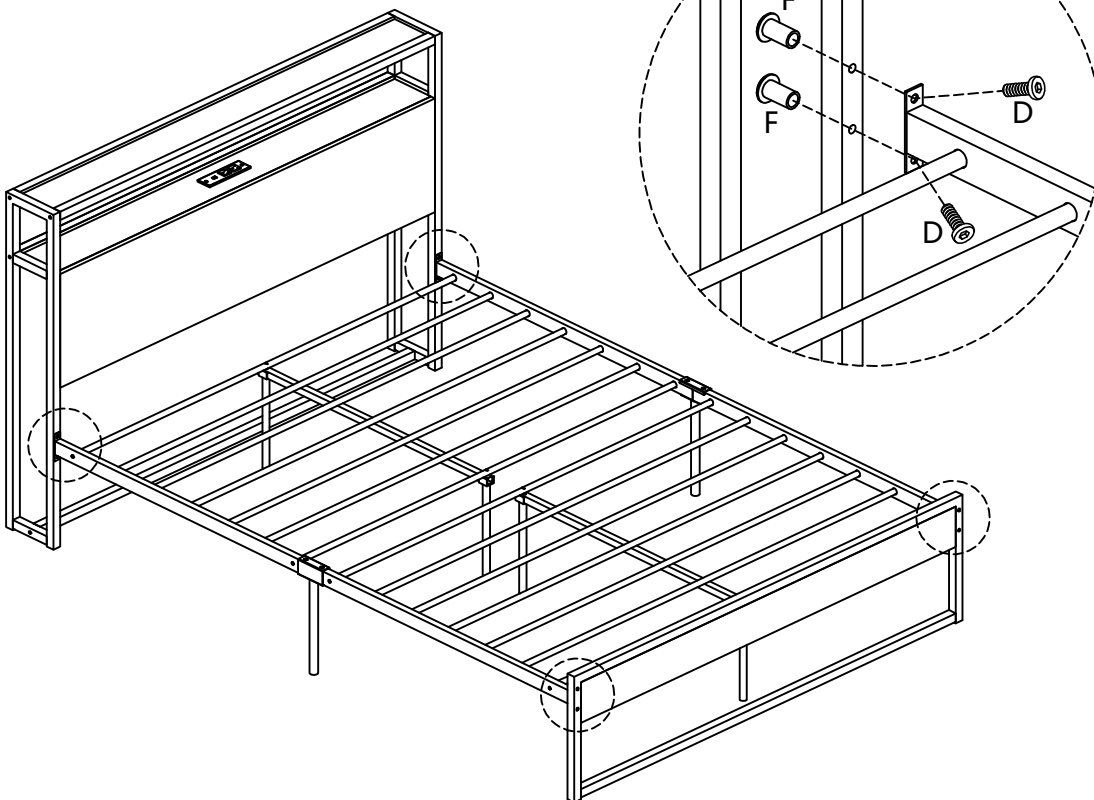
STEP 9:

| |
|-------------------------------------------------------------------------------------|
| E |
|  |
| 4PCS |

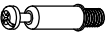


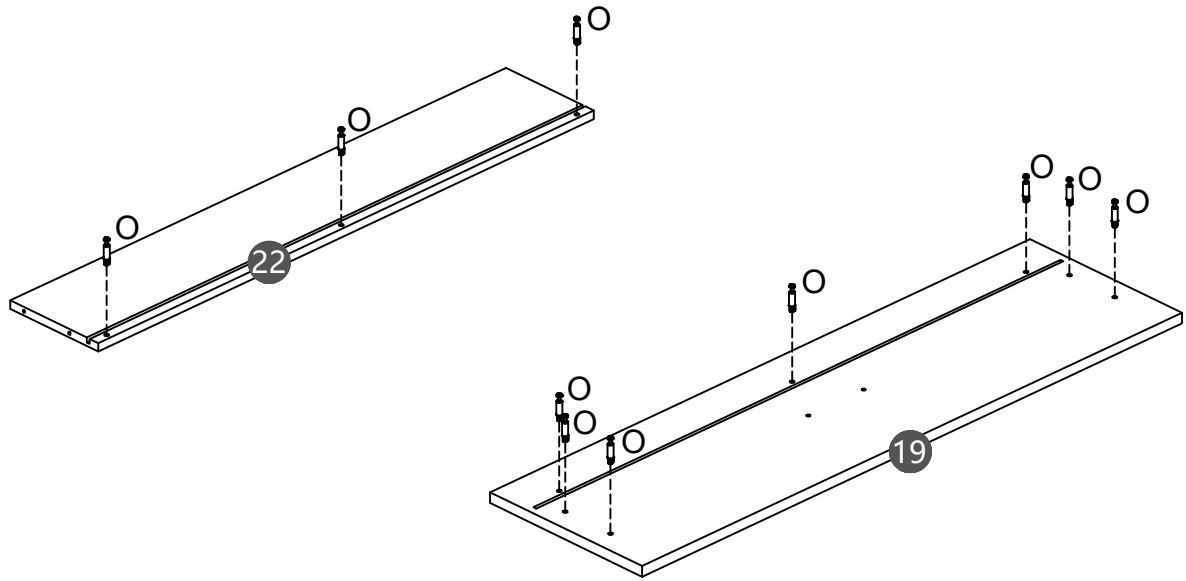
STEP 10:

| | |
|---------------------------------------------------------------------------------------|---------------------------------------------------------------------------------------|
| D | F |
|  |  |
| 8PCS | 8PCS |



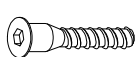

STEP 11:

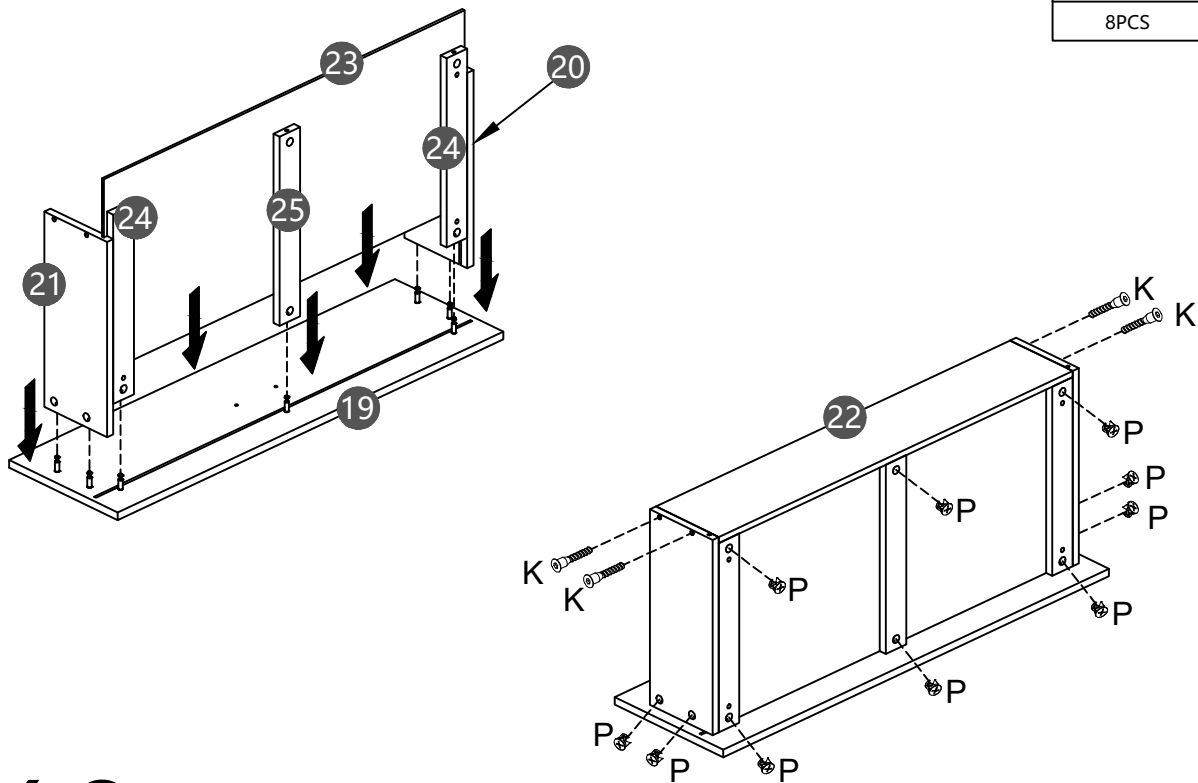
| |
|-------------------------------------------------------------------------------------|
| O |
|  |
| 20PCS |



X 2





STEP 12:

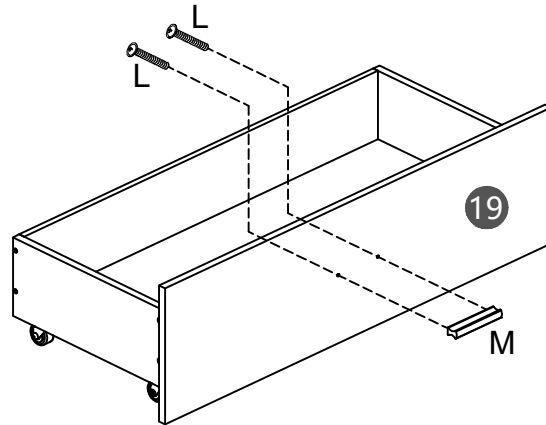
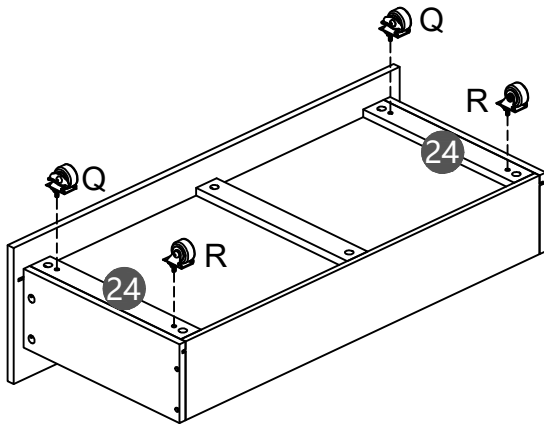
| K | P |
|---------------------------------------------------------------------------------------|---------------------------------------------------------------------------------------|
|  |  |
| 8PCS | 20PCS |



X 2

STEP 13:

| L | M | Q | R |
|------------------------------------------------------------------------------------|-------------------------------------------------------------------------------------|-------------------------------------------------------------------------------------|-------------------------------------------------------------------------------------|
|  |  |  |  |
| 4PCS | 2PCS | 4PCS | 4PCS |



X 2

