

## WARRANTY INFORMATION

- Do not expose the surfaces to direct sunlight or to extreme environmental conditions.
- Clean the surfaces preferable with a clean damp cloth, then dry with a clean towel.
- Do not use solvents or abrasive materials to clean the unit. If you decide to use a cleaning agent, test first on an area hidden from view.
- Replacement parts might be available to you at no charge, with an original proof of purchase and where a defect has arisen, wholly or substantially, as a result of faulty manufacturing, parts or workmanship during the Warranty Period.
- The warranty does not extend to regular wear and tear, nor the manufacturer assumes liability for damages or consequences due to accidents, incorrect assembly, negligence, improper use, modifications, or not heeding the above warnings.

Thank you so much for your support!

**Thank you !**

# TABLE OF CONTENTS

---

**01**    Warranty Information

---

**02**    Important Safety Instructions

**02**    Tools Needed

---

**03**    Parts List

**04**    Assembly

---

## IMPORTANT SAFETY INSTRUCTIONS

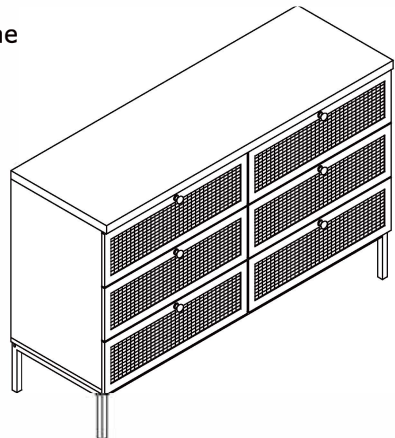
- Check if all the parts are complete before installation.
- Read through the instructions before installing the cabinet.
- Keep the small parts away from children to avoid the risk of swallowing.
- Screw the cabinet to the wall to avoid the risk of falling down.

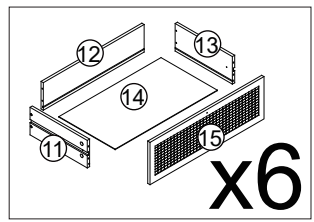
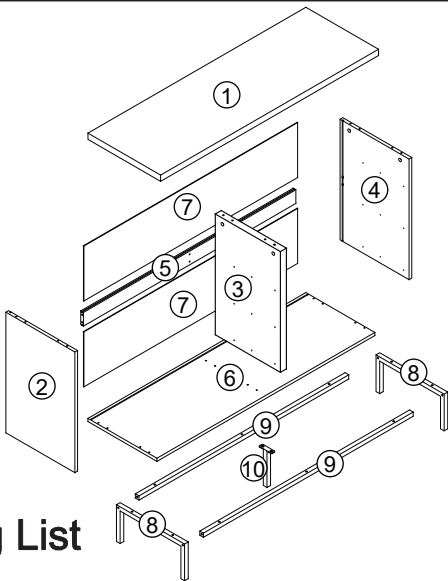
## TOOLS NEEDED

Screws Driver -1PC

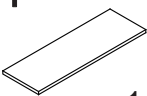
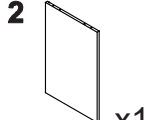
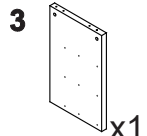
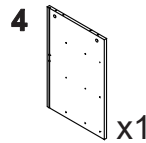

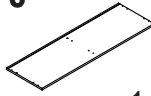

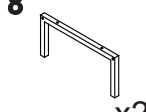


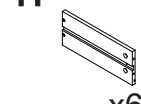
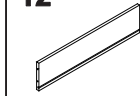
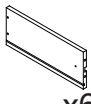
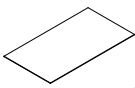
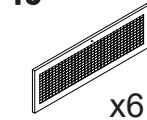


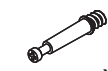

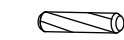




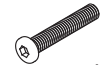
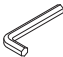






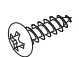


( Not included)



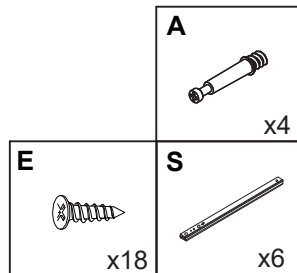
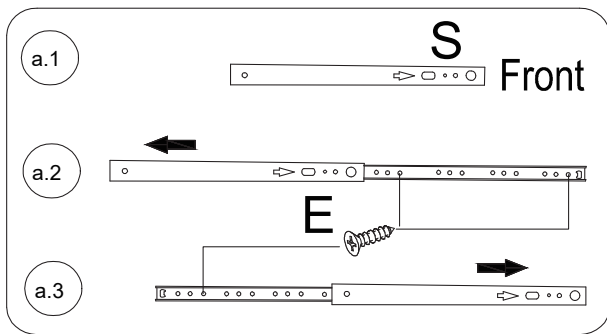
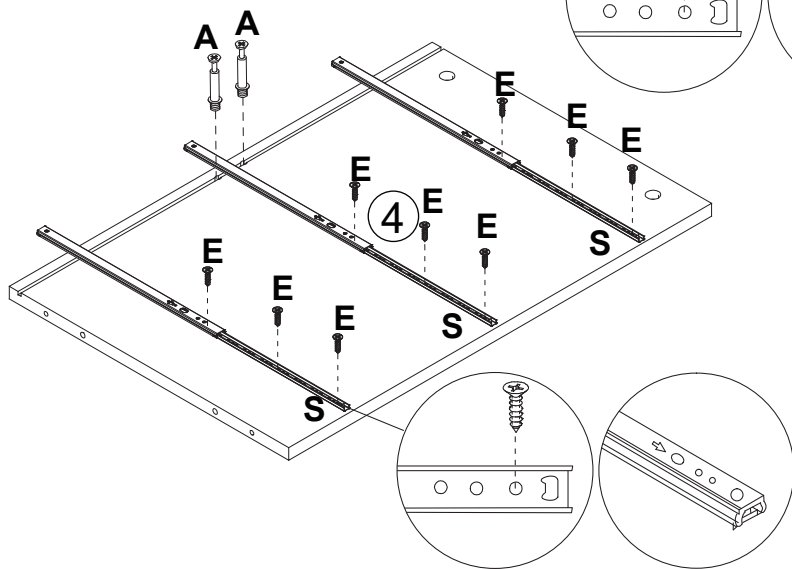
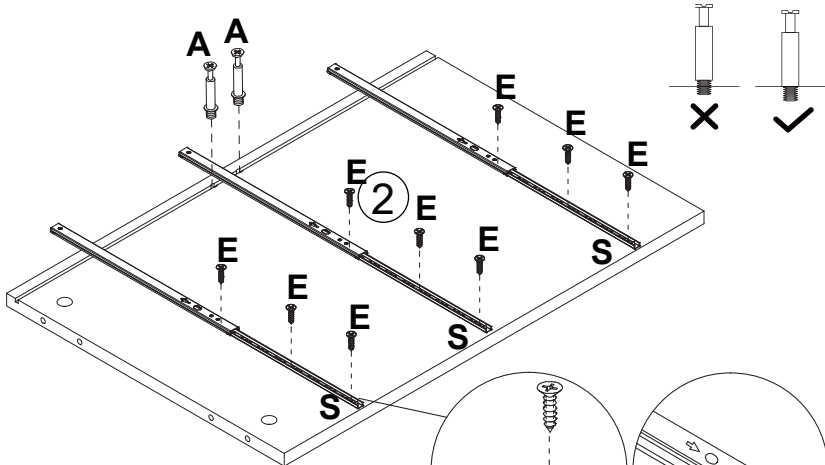


### Packing List

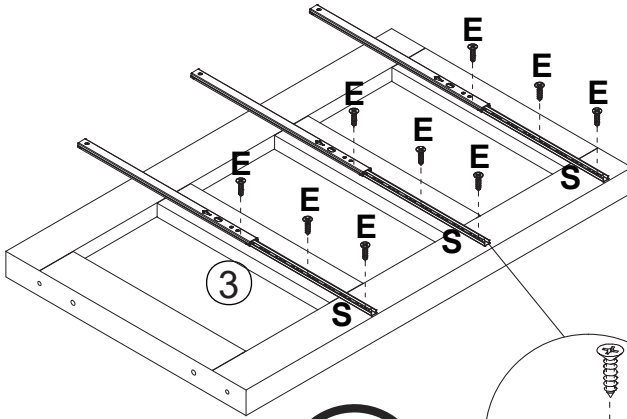
<b>1</b>  x1	<b>2</b>  x1	<b>3</b>  x1	<b>4</b>  x1	<b>5</b>  x1	<b>6</b>  x1
<b>7</b>  x2	<b>8</b>  x2	<b>9</b>  x2	<b>10</b>  x1	<b>11</b>  x6	<b>12</b>  x6
<b>13</b>  x6	<b>14</b>  x6	<b>15</b>  x6			

<b>A</b>  x34	<b>B</b>  x34	<b>C</b>  x12	<b>D</b> M4x40  x34	<b>E</b> M3.5x12  x36	<b>F</b> M4x18  x6	
<b>G</b>  x6	<b>H</b> M6x35  x4	<b>I</b>  x1	<b>J</b> M6x28  x10	<b>K</b> M6x12  x2	<b>L</b> M3x16  x12	<b>M</b>  x5
<b>N</b>  x2	<b>O</b>  x2	<b>P</b> M4x12  x2	<b>R</b> M4x10  x12	<b>S</b>  x12		

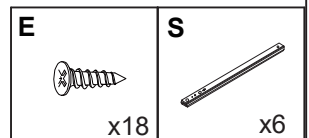
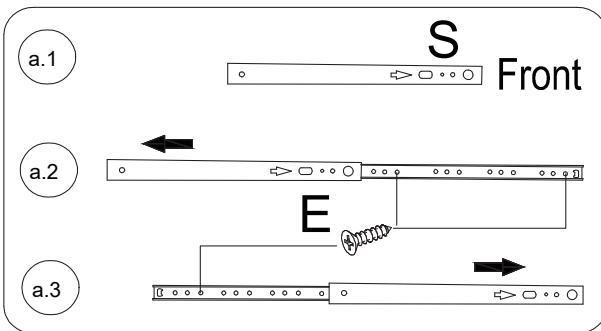
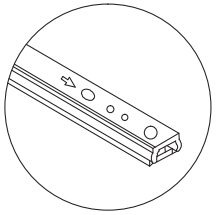
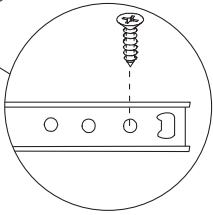
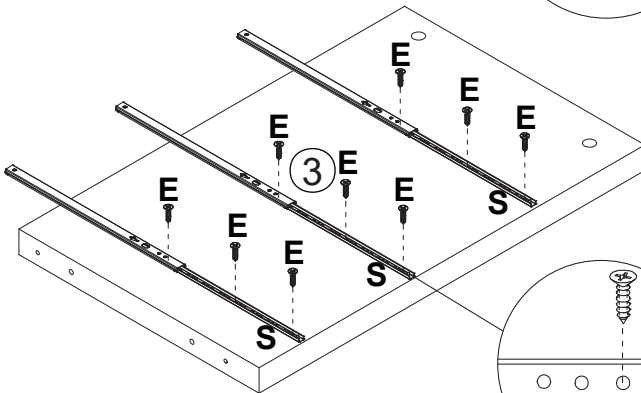
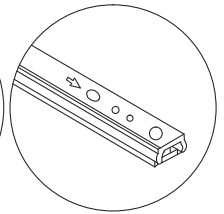
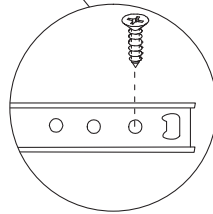
# Step 1



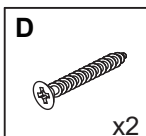
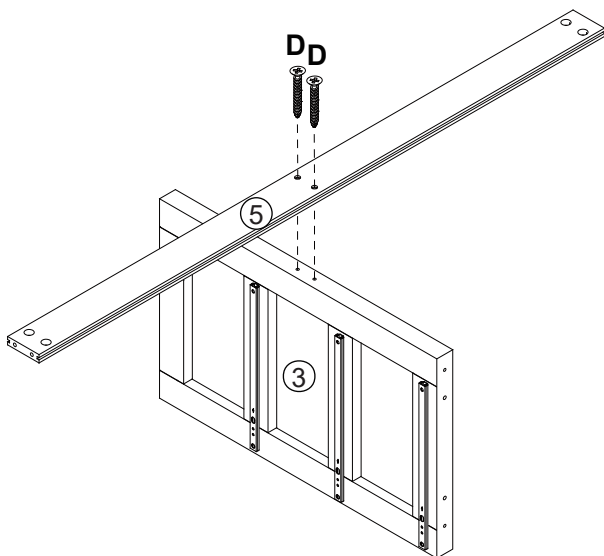
# Step 2



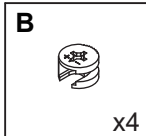
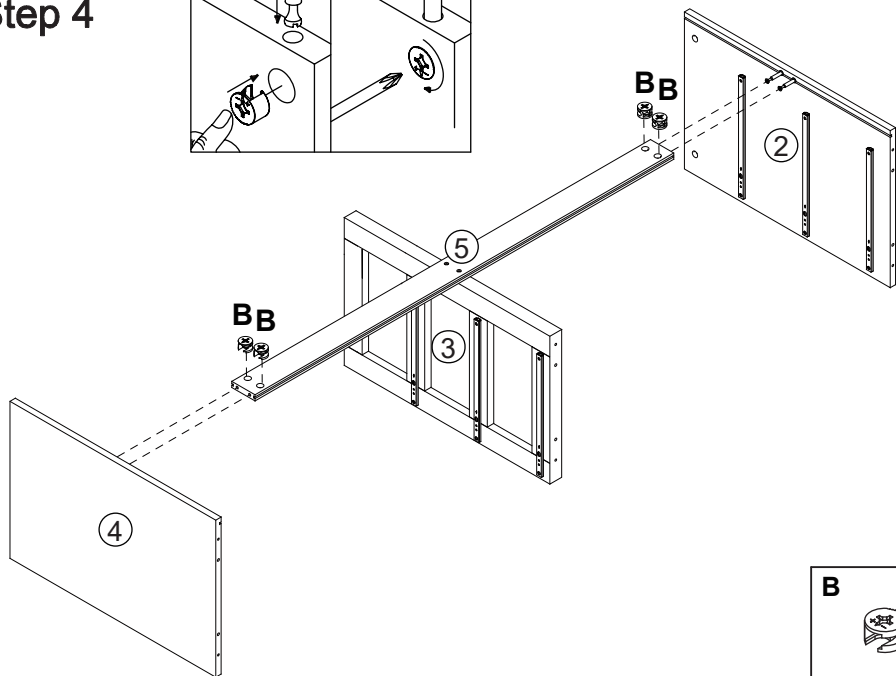
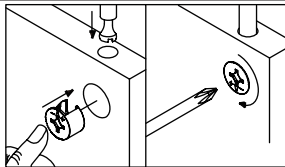
180°



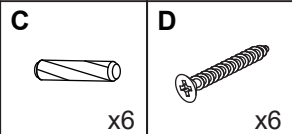
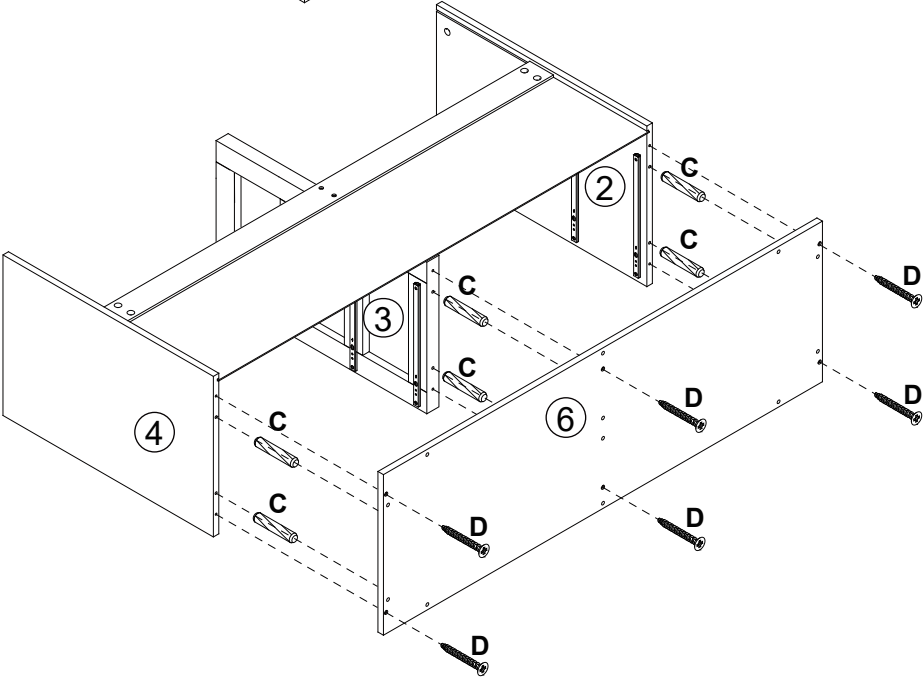
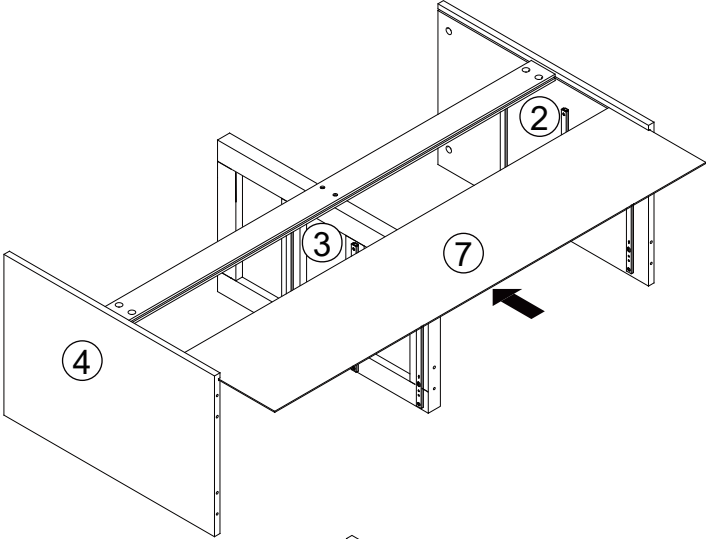
# Step 3



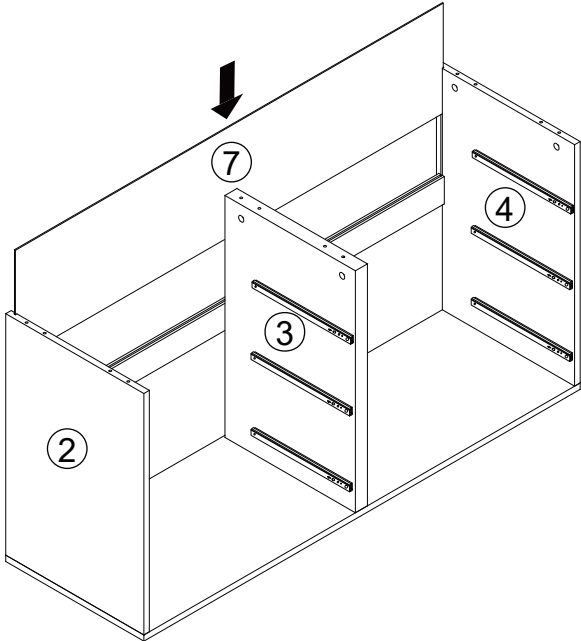
# Step 4



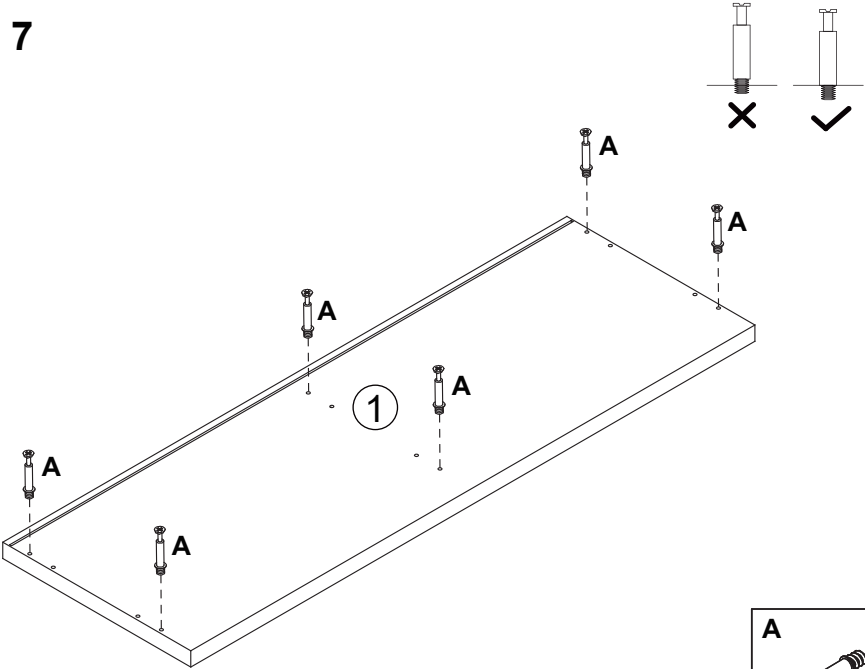
# Step 5



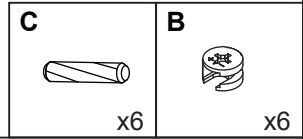
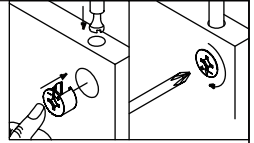
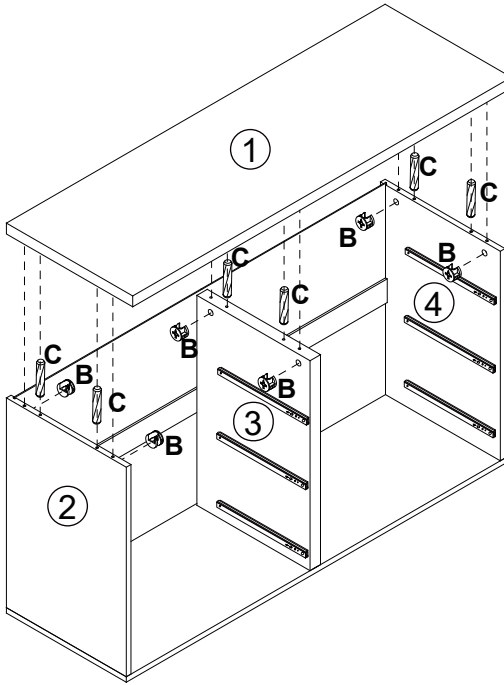
# Step 6



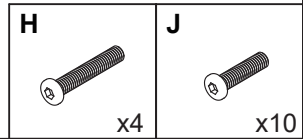
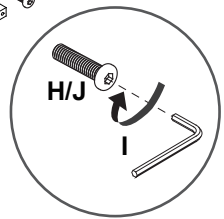
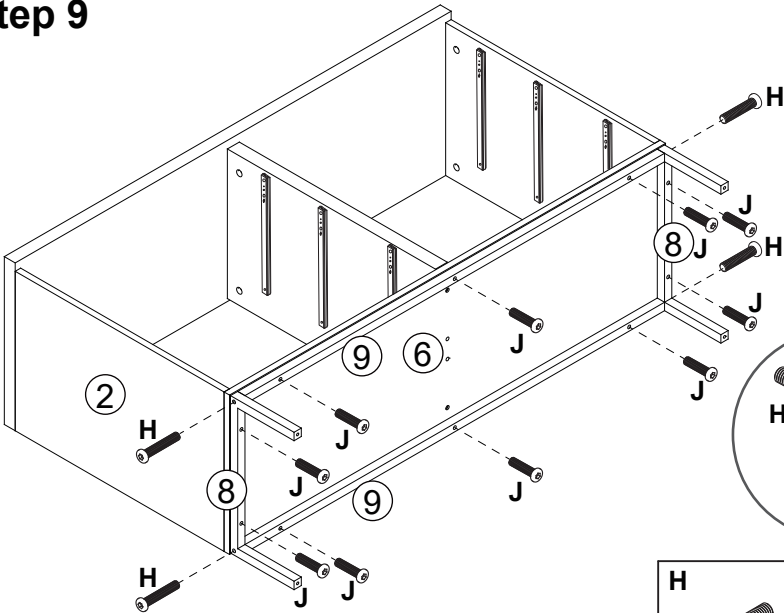
# Step 7



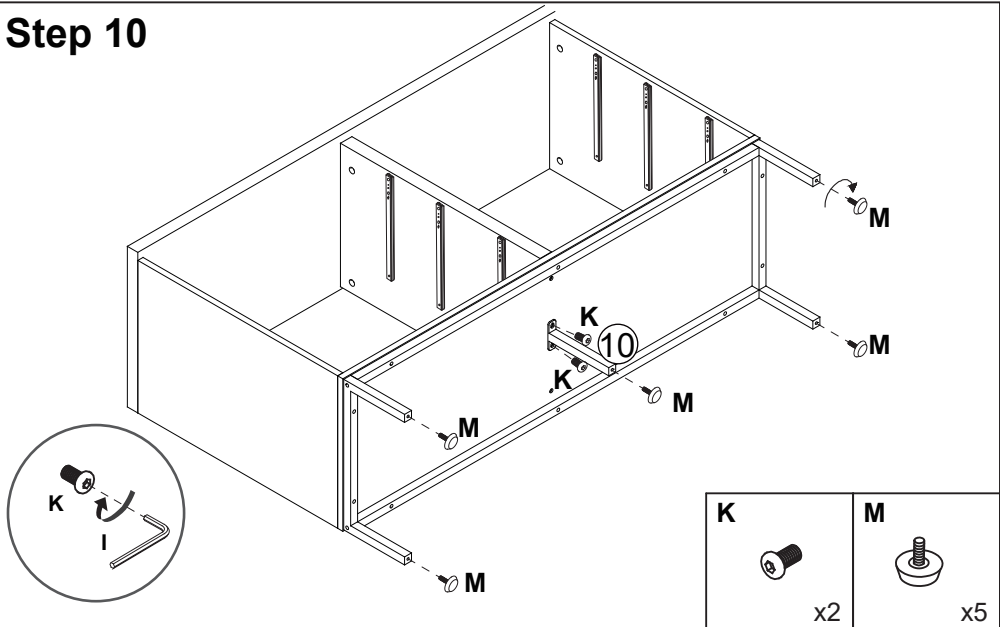
# Step 8



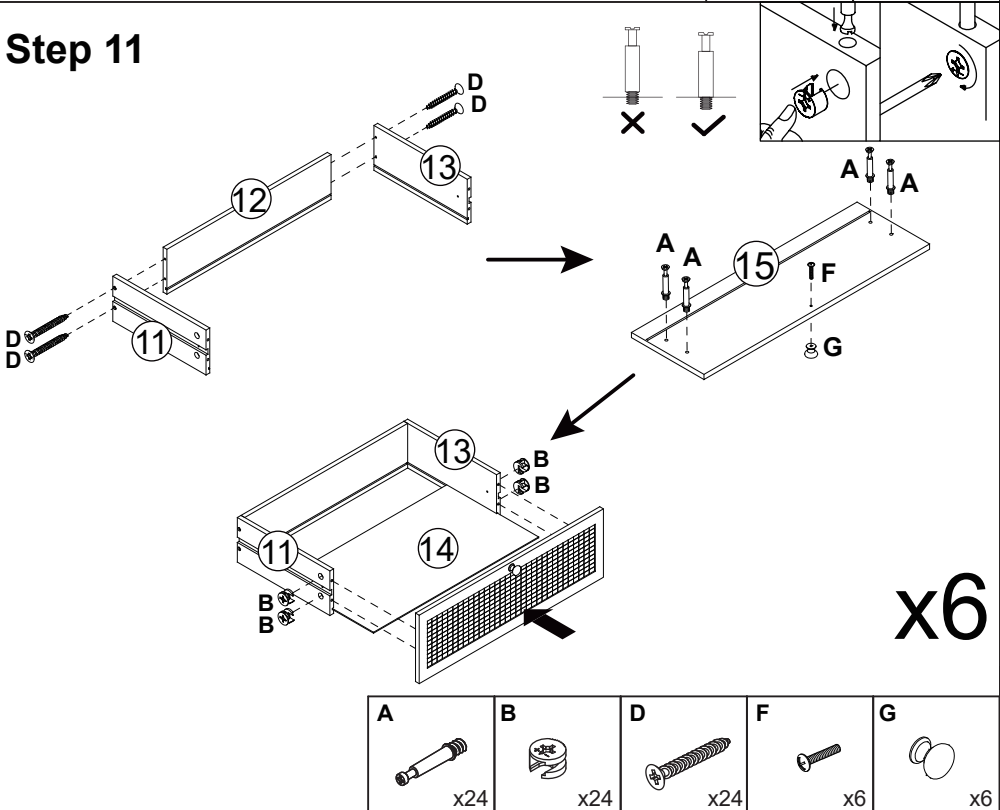
# Step 9



# Step 10



# Step 11





# Step 14

