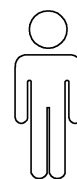
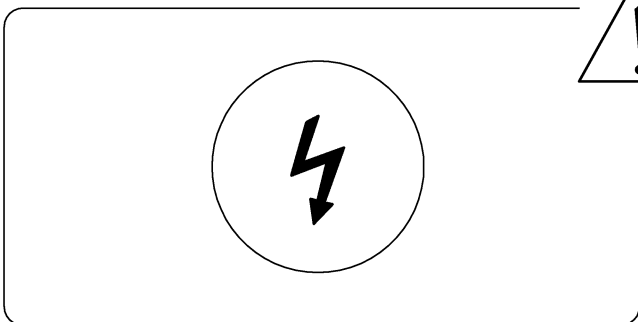
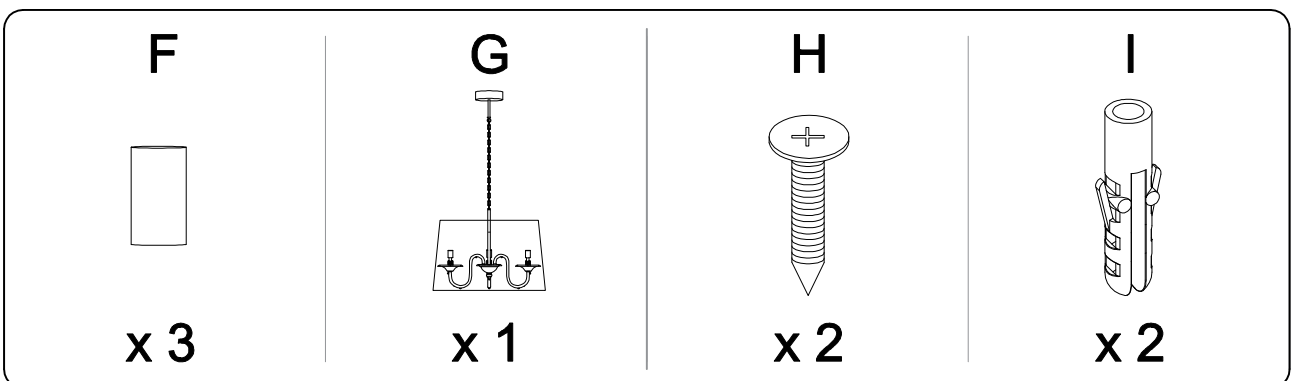
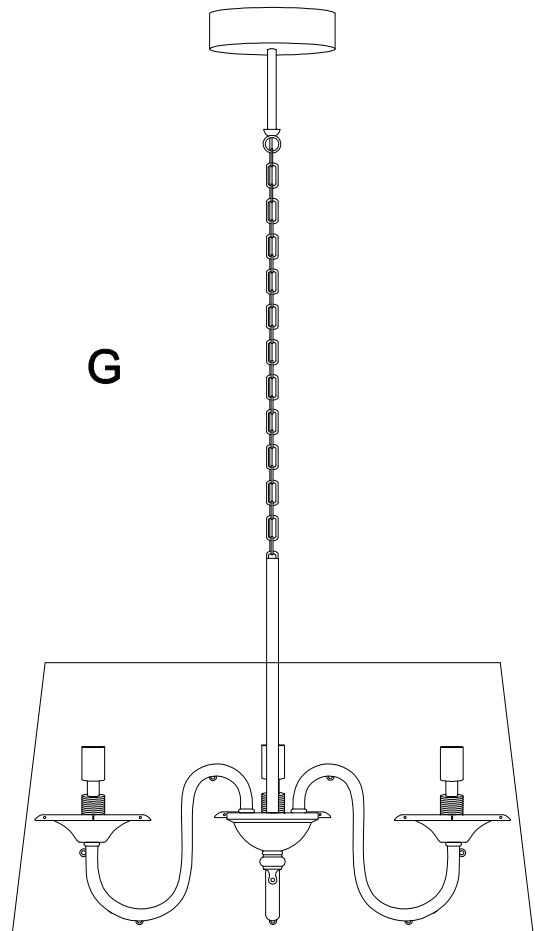
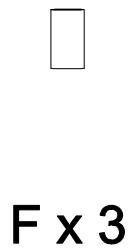
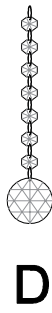
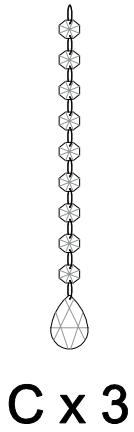
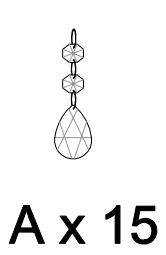
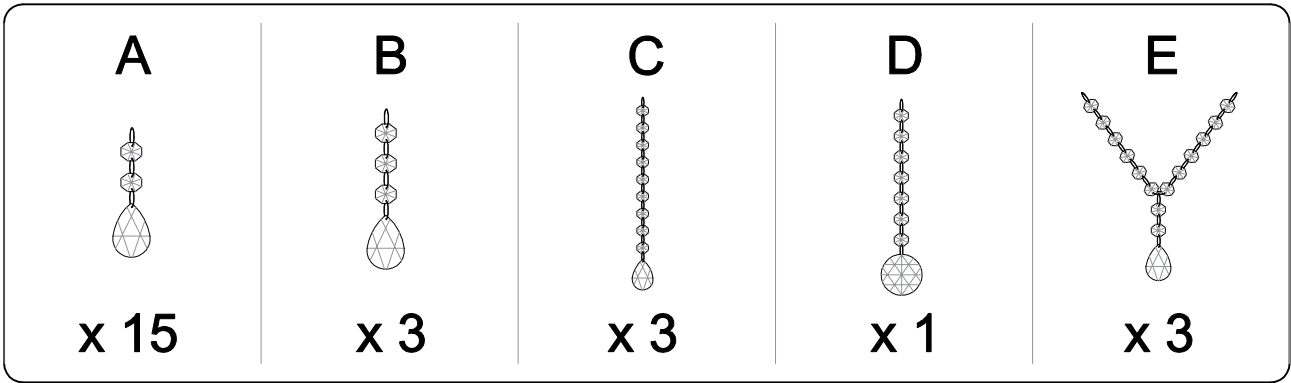


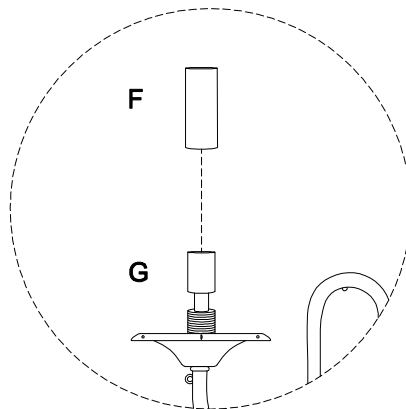
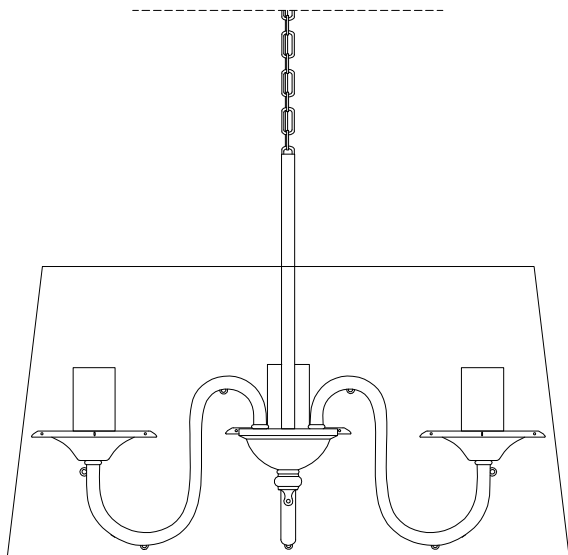
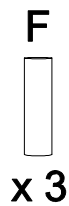
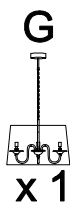
40'



1

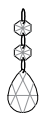


1

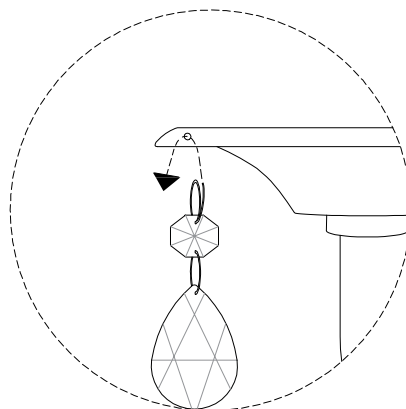
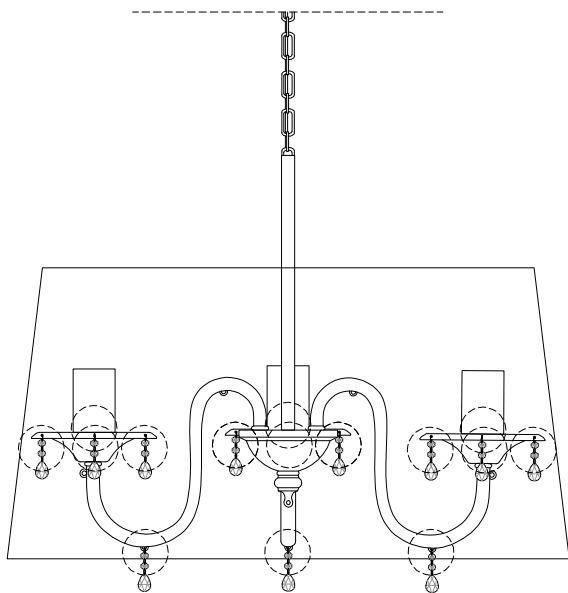


2

A

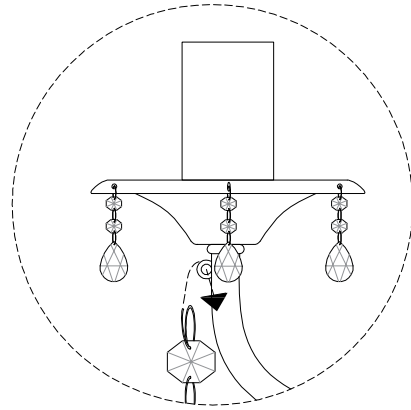
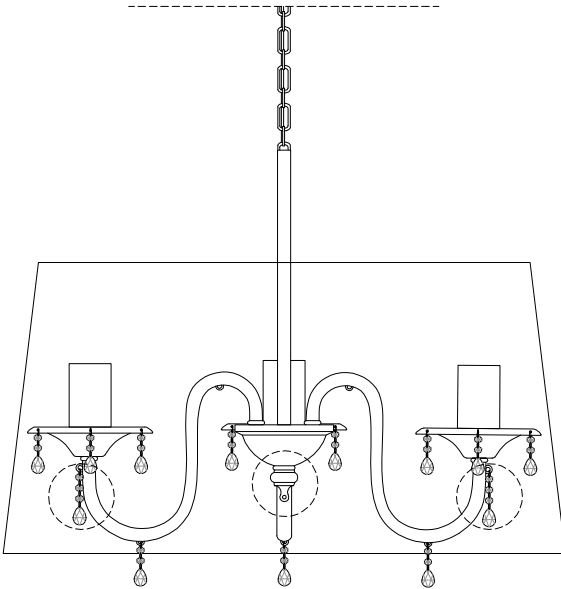


x 15



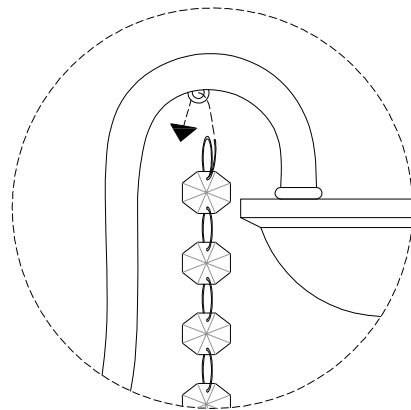
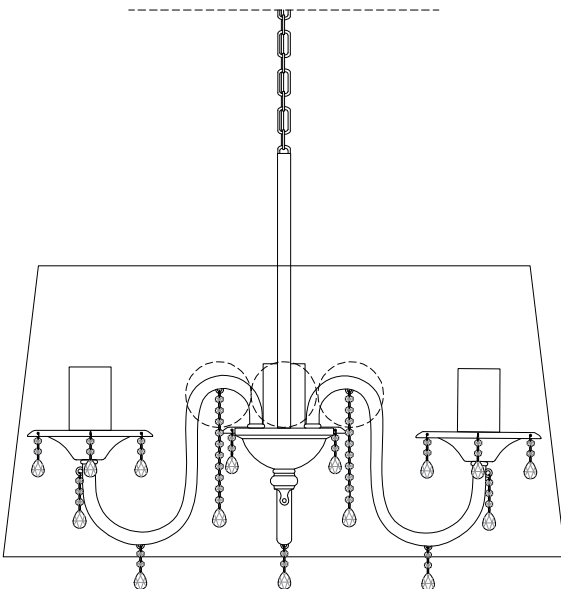
3

B
x 3



4

C
x 3

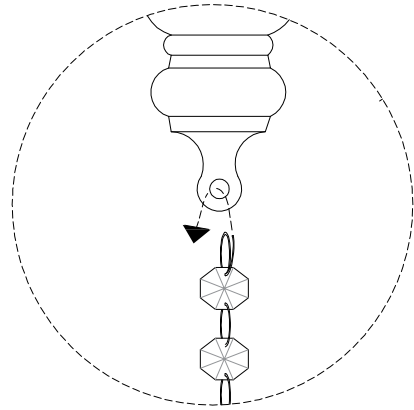
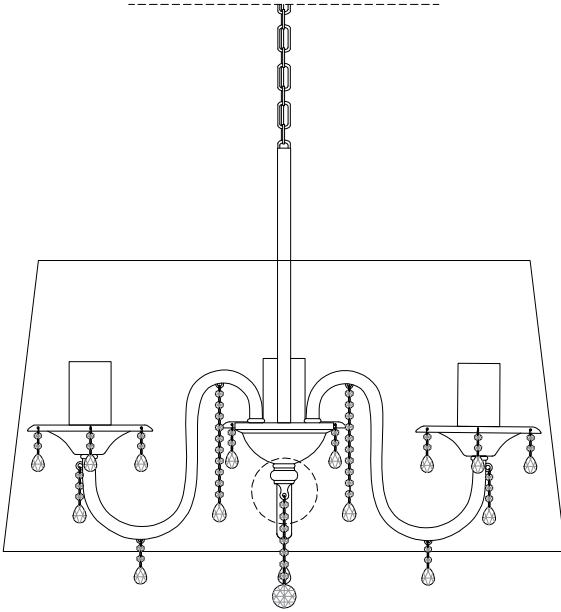


5

D



x 1

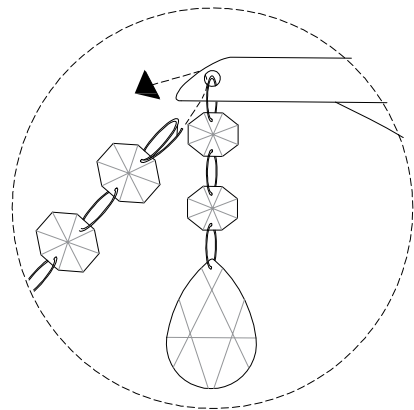
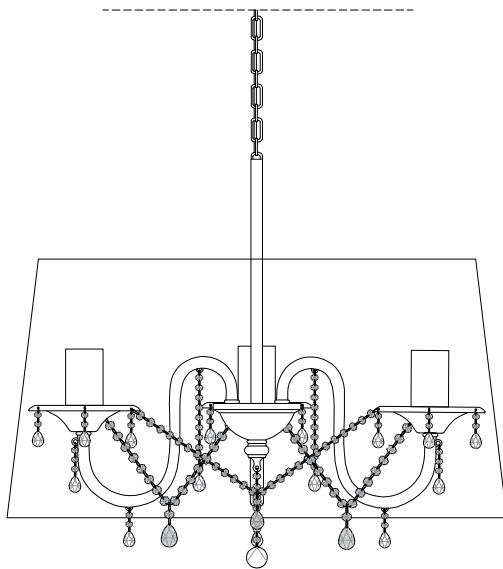


6

E

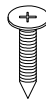


x 3



7

H

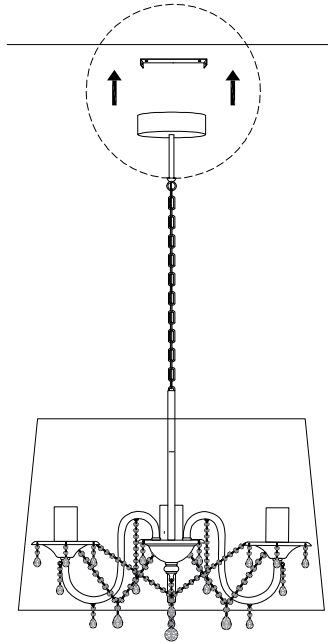


x 2

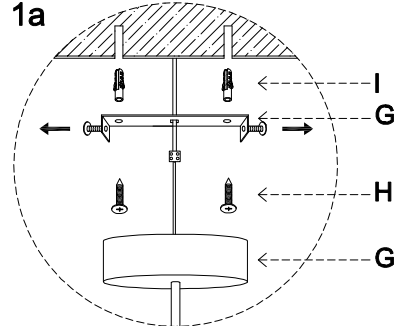
I



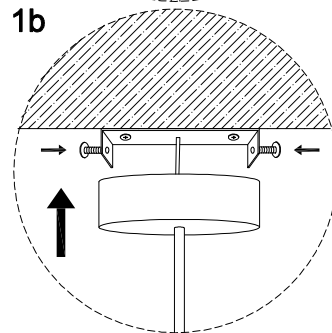
x 2



1a



1b



8

