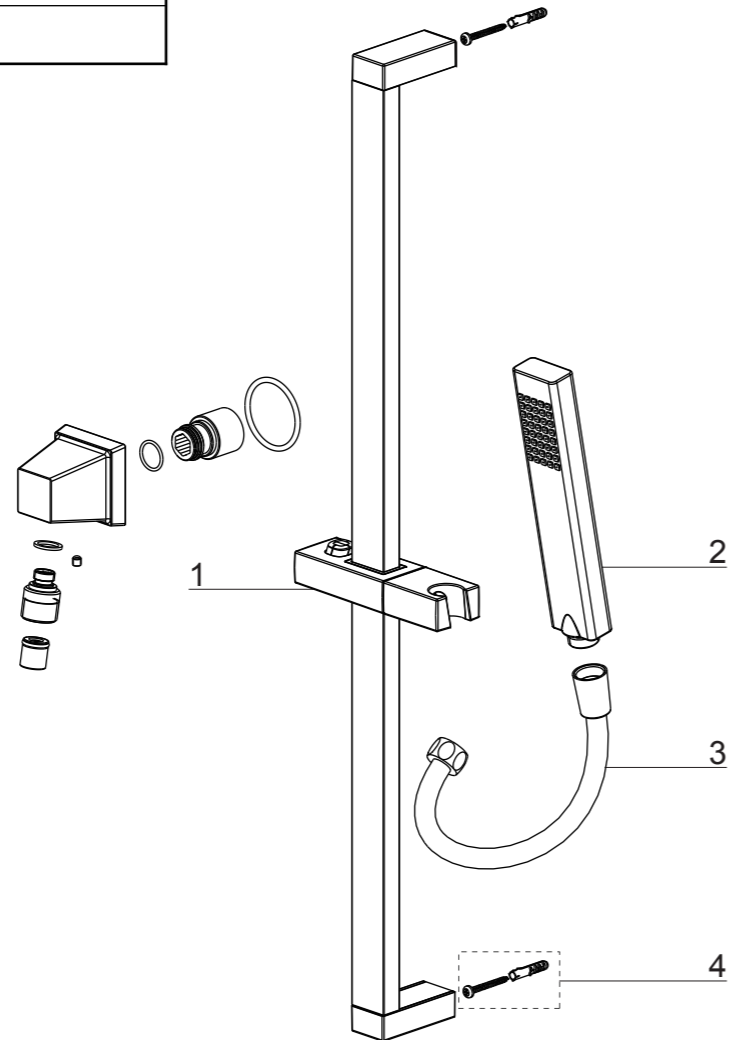


Replacement Parts / Pièces de rechange / Repuestos

NO.	Description	Part No.
1	Slider	5Y0165600CP/AP/HA/HBW0
2	Hand Shower	5101212201CP/AP/HA/HBW0A1
3	Hand Shower Hose	51014603CP/AP/HA/HBW
4	Mounting Hardware	5Y0167800NT0



UF70700-7
 UF70703-7
 UF70705-7
 UF70707-7

Limited Lifetime Warranty

Ultra Faucets warrants to the original purchaser that its products will be free from defects in workmanship and materials. All Ultra Faucets are provided with a life time limited warranty. This warranty does not cover any other labor or service charges associated with the removal, repair, or reinstallation of Ultra Faucets products. This express warranty does not apply to products that have been damaged as a result of misuse, abuse, negligence, accident, faulty installation or maintenance practices and/or used in any manner contrary to those recommended by the manufacturer.

Need help? Please call our toll-free customer service line at 1-888-658-5872 for additional assistance or service.

Besoin d'aide? Veuillez communiquer avec notre service à la clientèle au numéro gratuit 1-888-658-5872 pour tous renseignements ou services complémentaires.

¿Requiere asistencia? Llame a nuestro Servicio al Cliente, sin costo, al 1-888-658-5872 para asistencia adicional o servicio.

Rift Collection

Slide Bar with Hand Shower



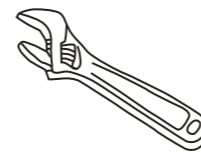
Installation/Installation/Instalación

CUSTOMER SERVICE
TOLL-FREE 1-888-OK-ULTRA (658-5872)

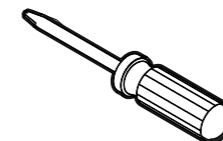
UF70700-7 - Polished Chrome
 UF70703-7- PVD Brushed Nickel
 UF70705-7 - Oil Rubbed Bronze
 UF70707-7 - Matte Black



Tools You Will Need / Outils dont vous aurez besoin / Herramientas necesarias



Adjustable Wrench
 Clé à molette
 Llave ajustable



Phillips Screwdriver
 Tournevis Phillips
 Destornillador cruciforme



Pipe Tape
 Ruban pour tuyau
 Cinta selladora para rosca



Groove join pliers
 Pince multiprise
 Pinzas ajustables

SAFETY TIPS

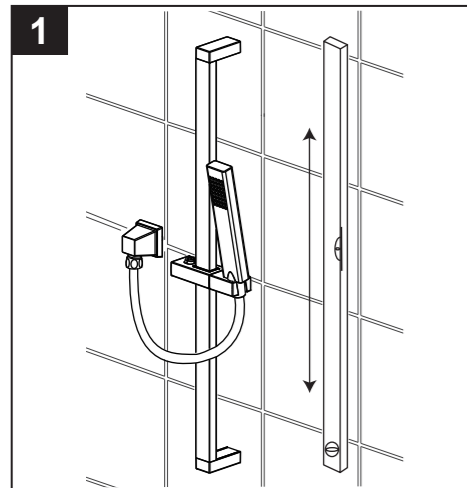
- If you use soldering for the installation of the faucet, the seats, cartridges and washers will have to be removed before using flame. Otherwise, warranty will be void on those parts.
- Cover your drain to avoid losing parts.
- 0°C~55°C.

CONSIGNES DE SÉCURITÉ

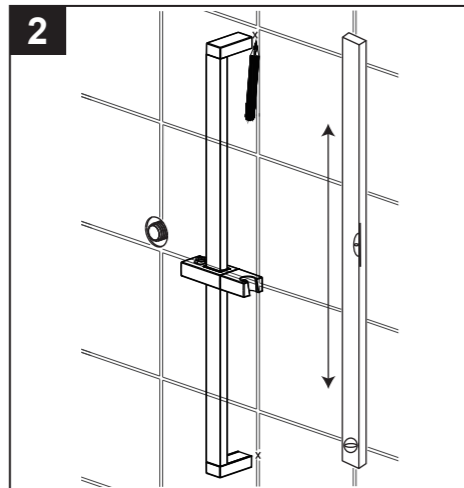
- Si vous posez le robinet par brasage, il est essentiel de retirer les sièges, les cartouches et les rondelles avant d'appliquer la flamme, faute de quoi la garantie sur ces pièces sera annulée.
- Couvrez le drain pour ne pas perdre des pièces.
- 0°C~55°C.

CONSEJOS DE SEGURIDAD

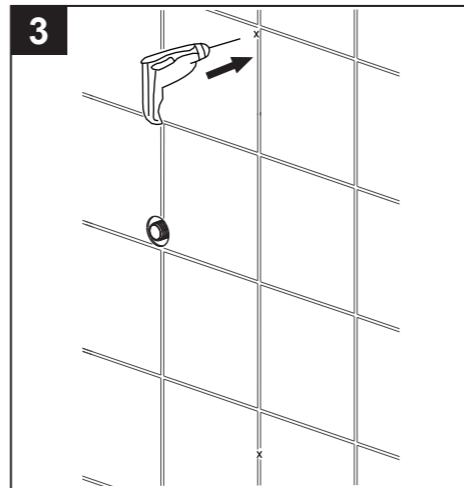
- En el caso de utilizar soldadura para instalar el grifo, remueva los asientos, cartuchos y arandelas antes de usar la llama. De lo contrario, se anulará la garantía para esos componentes.
- Tape la boca del desagüe para prevenir la pérdida de piezas pequeñas.
- 0°C~55°C.



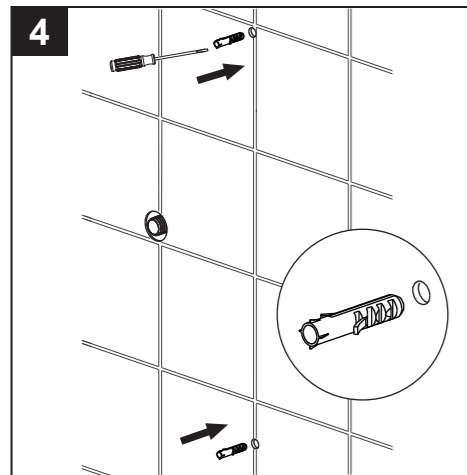
1 Determine the location of the sliding bar.



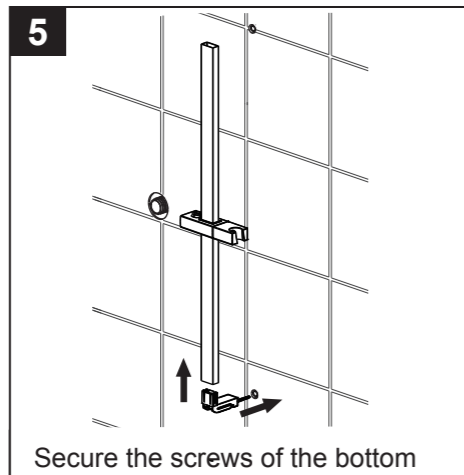
2 Align brackets and mark drill holes in desired location.



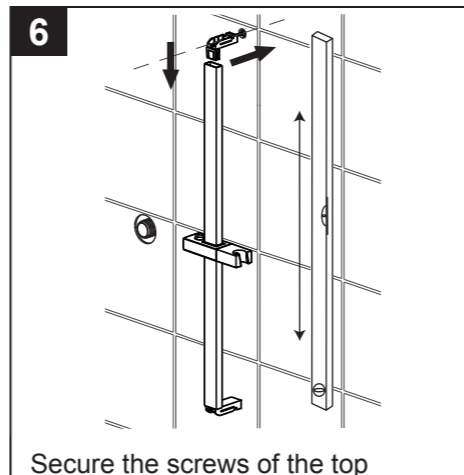
3 Drill 1/4" holes in marked locations.



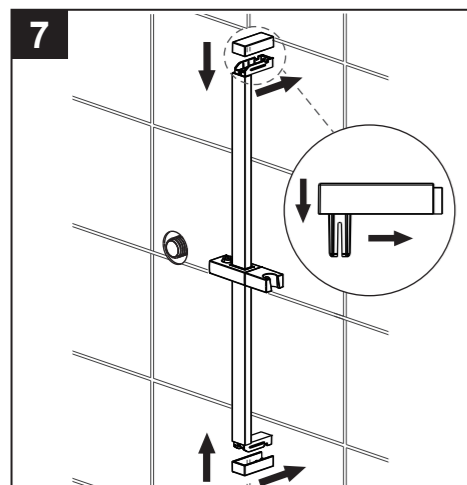
4 Put the expansion sleeve into wall drilling hole.



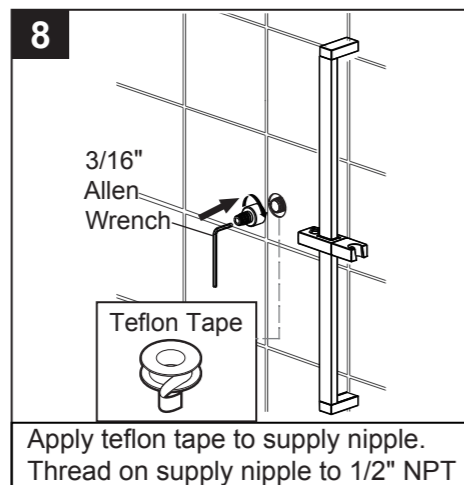
5 Secure the screws of the bottom mounting bracket to the wall, and then put the sliding bar to mounting bracket.



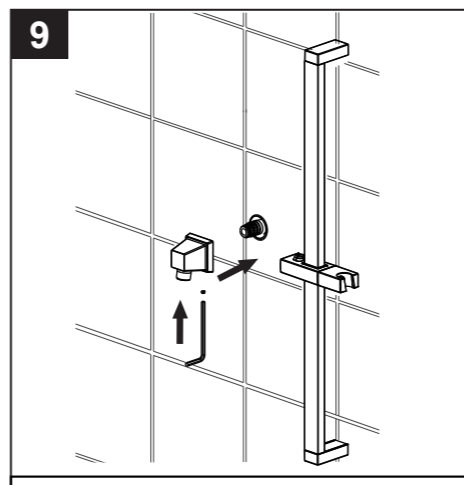
6 Secure the screws of the top mounting bracket to the wall, and then put the sliding bar to mounting bracket.



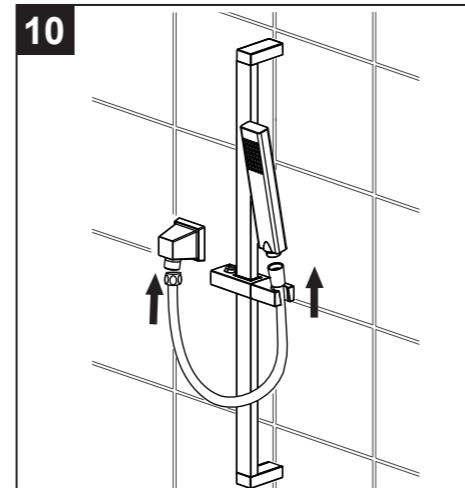
7 Put the mounting bracket cover to the mounting bracket.



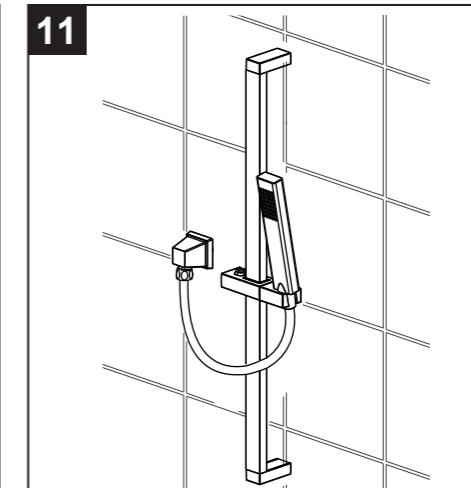
8 Apply teflon tape to supply nipple. Thread on supply nipple to 1/2" NPT water supply. Apply teflon tape to supply nipple and thread on bushing with 5mm allen wrench.



9 Slide on hand shower supply outlet trim assembly and secure with set screw.



10 Connect Shower Hose.



11 Installation complete.