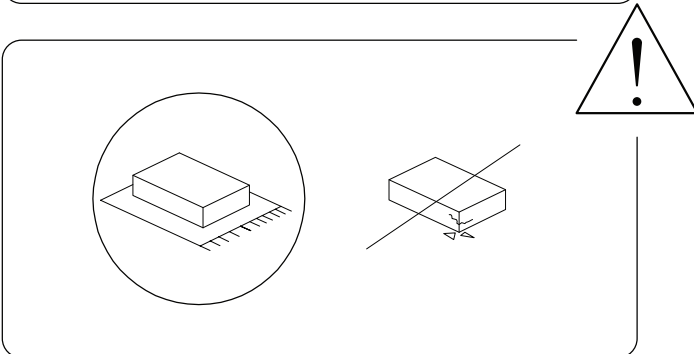
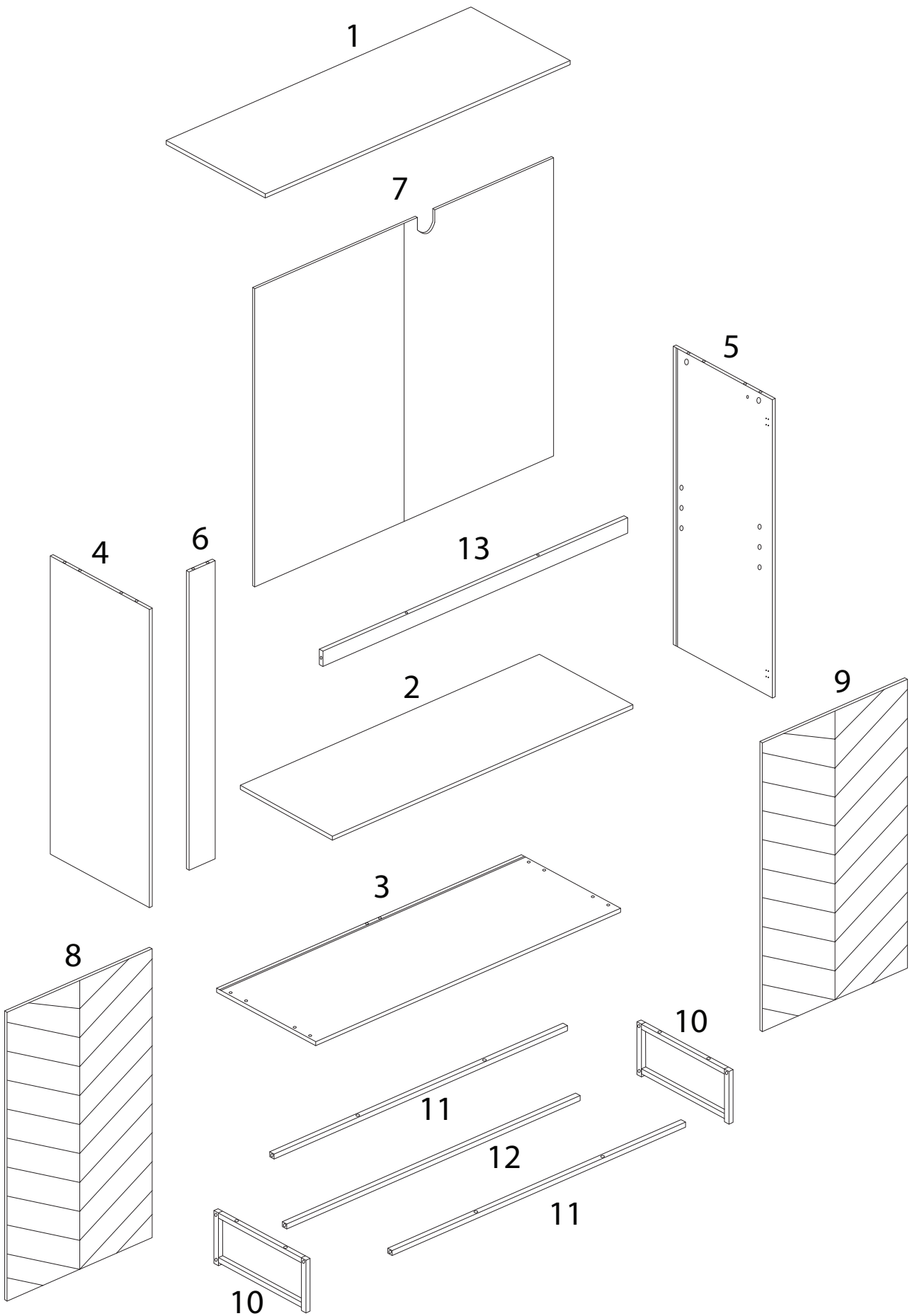


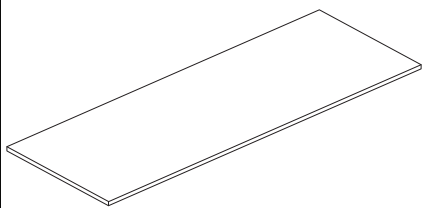
60'



2

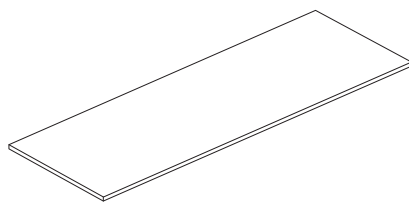


1



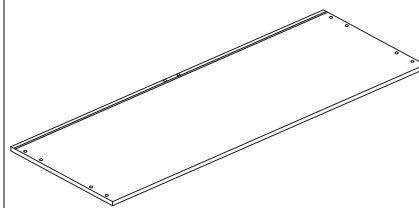
x 1

2



x 1

3



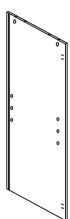
x 1

4



x 1

5



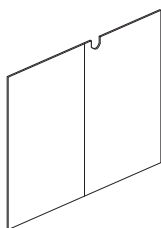
x 1

6



x 1

7



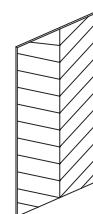
x 1

8



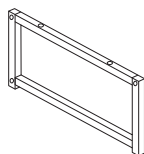
x 1

9



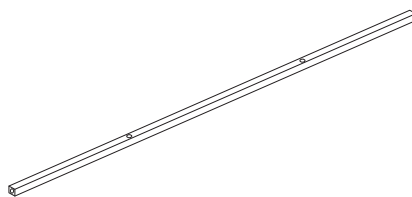
x 1

10



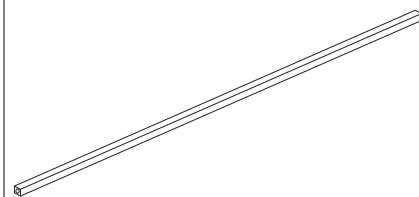
x 2

11



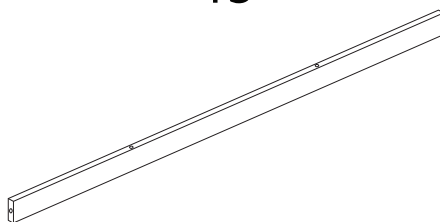
x 2

12



x 1

13



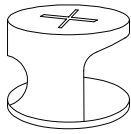
x 1

A



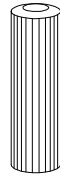
x 8

B



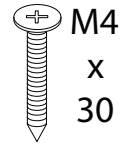
x 8

C



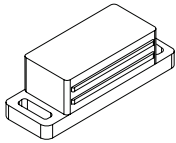
x 8

D



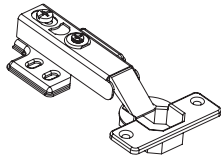
x 9

E



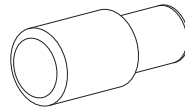
x 2

F



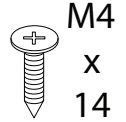
x 4

G



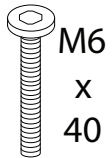
x 4

H



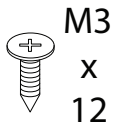
x 24

I



x 6

J



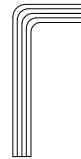
x 8

K



x 8

L



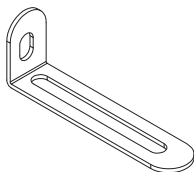
x 1

M



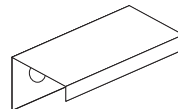
x 1

N



x 1

O



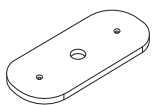
x 2

P



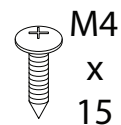
x 1

Q



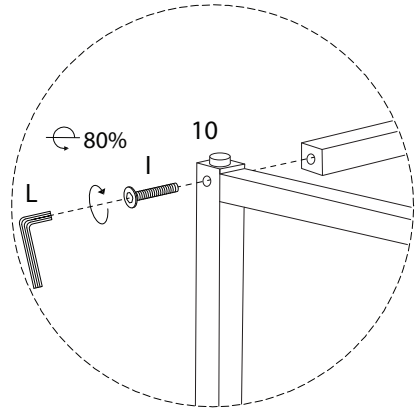
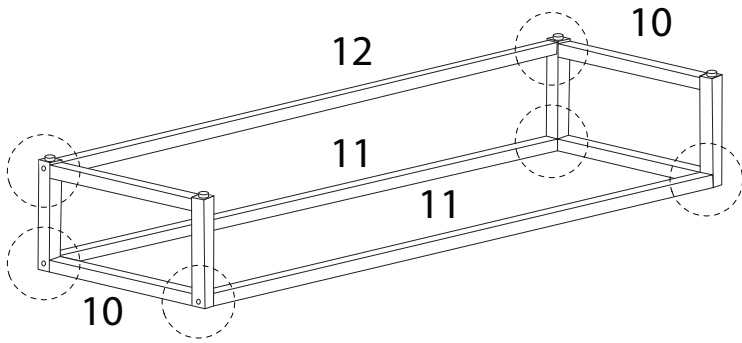
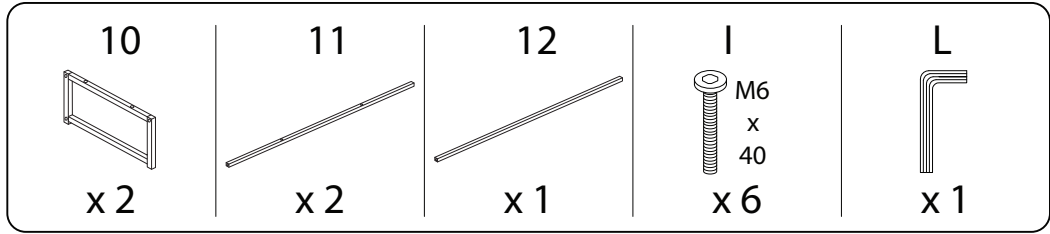
x 4

R

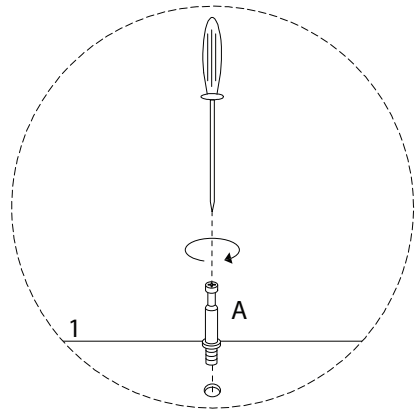
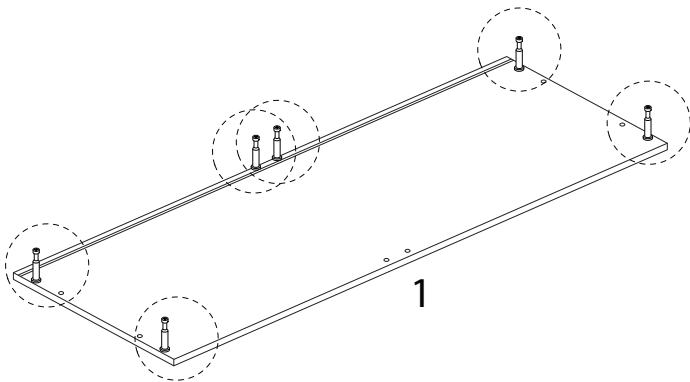
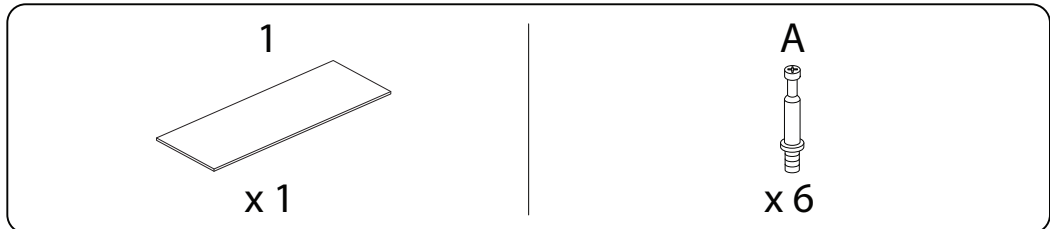


x 4

1



2



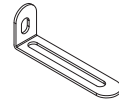
3

M

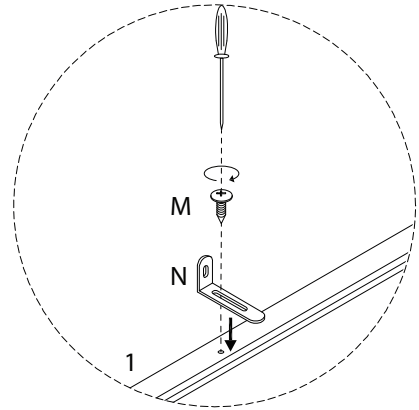
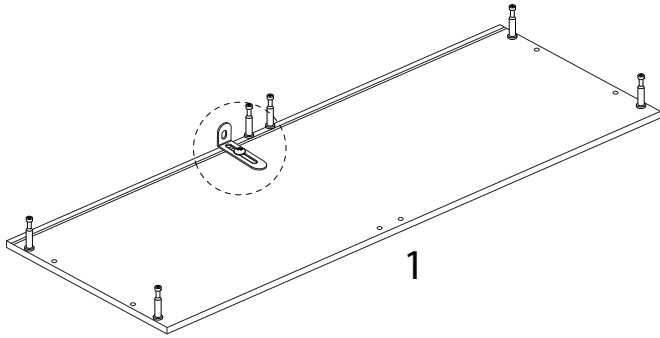


x 1

N

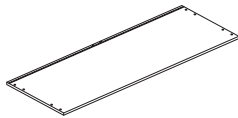


x 1



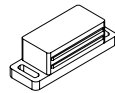
4

3



x 1

E

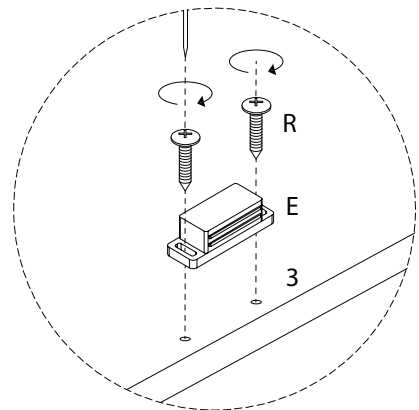
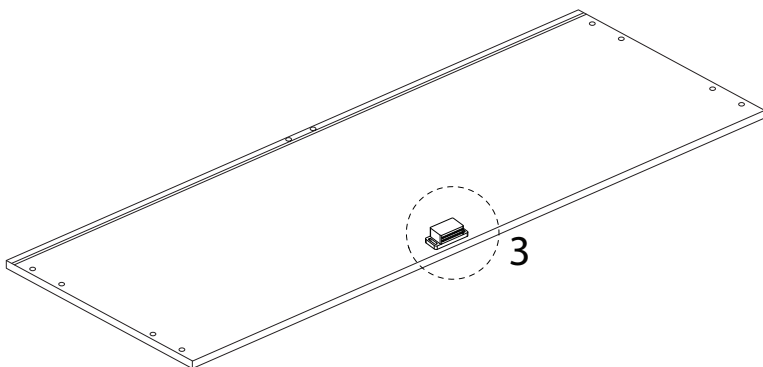


x 1

R



x 2

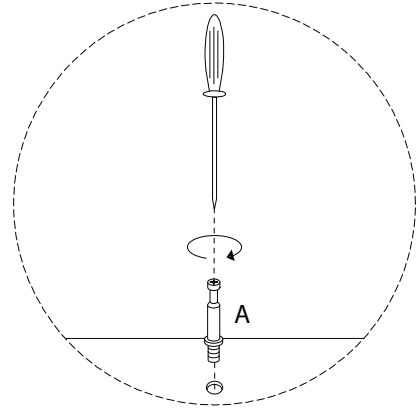
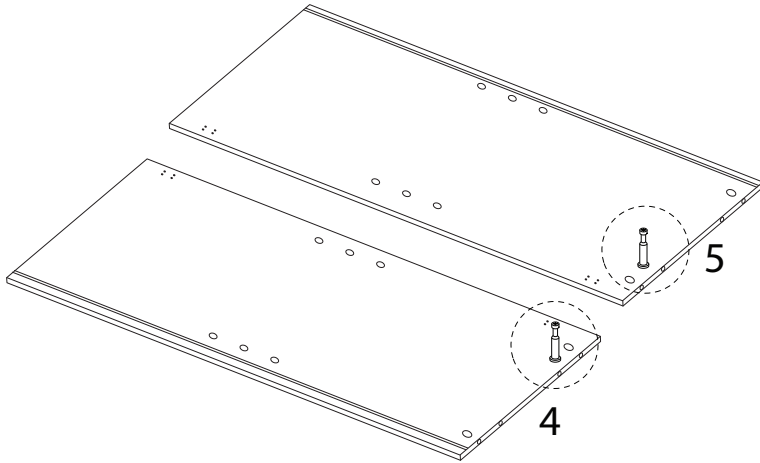


5

4
x1

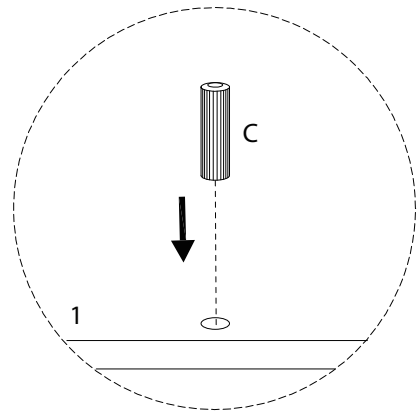
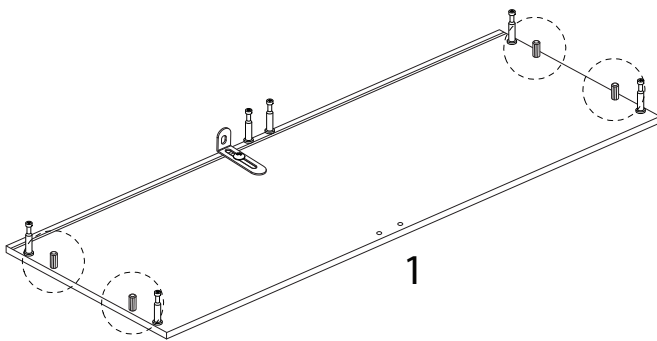
5
x1

A
x2

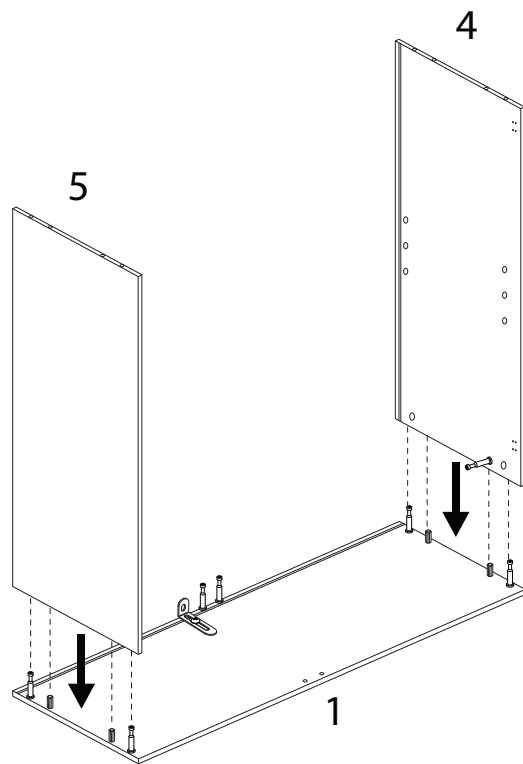


6

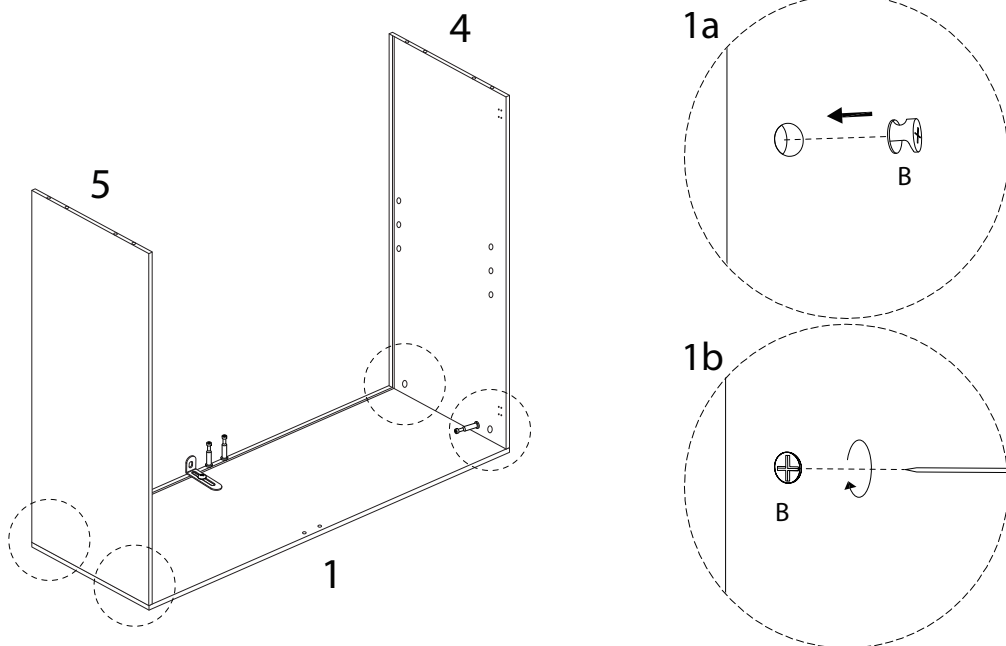
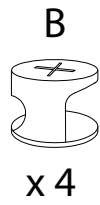
C
x4



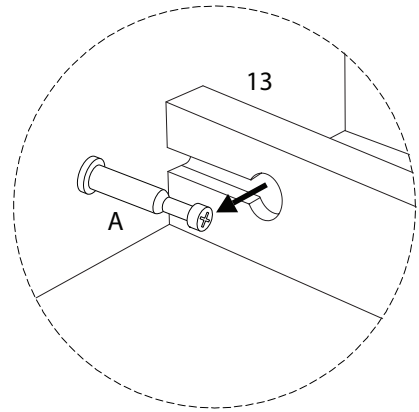
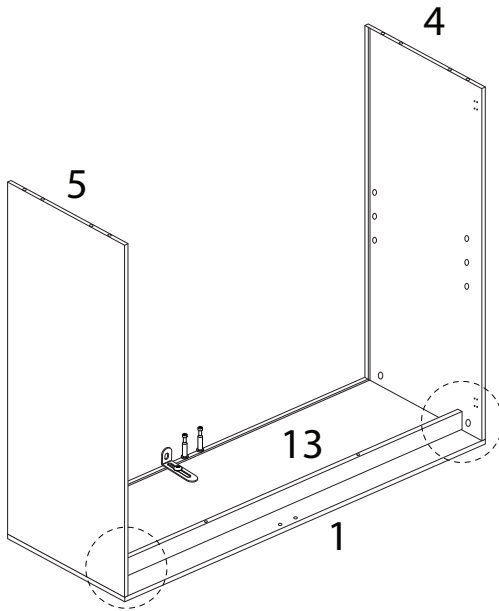
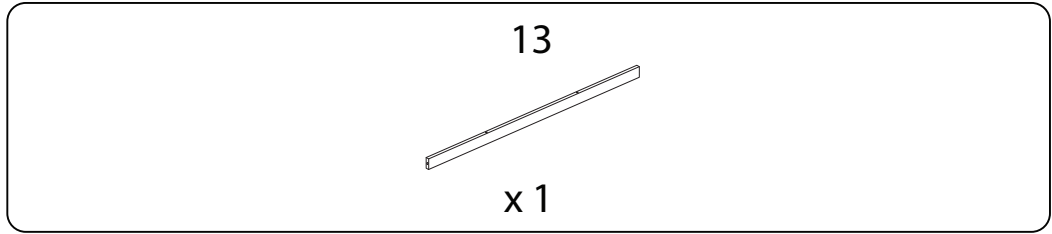
7



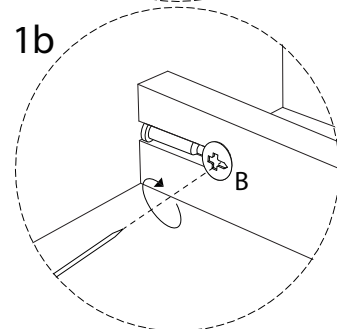
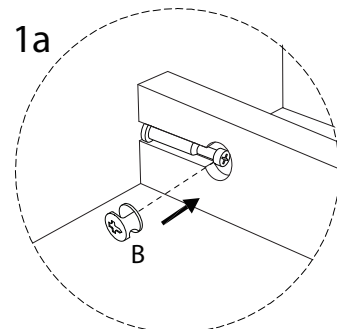
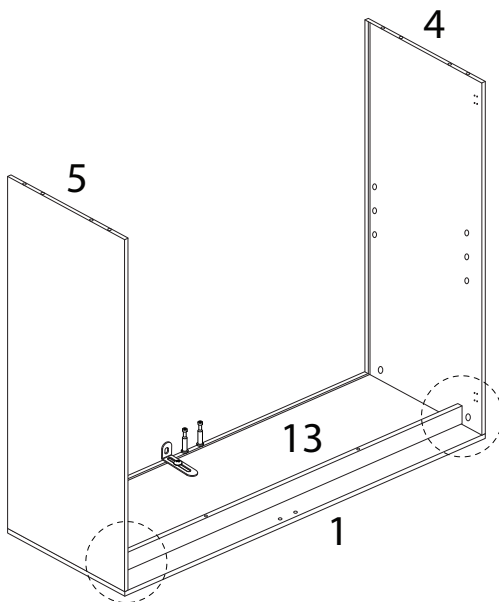
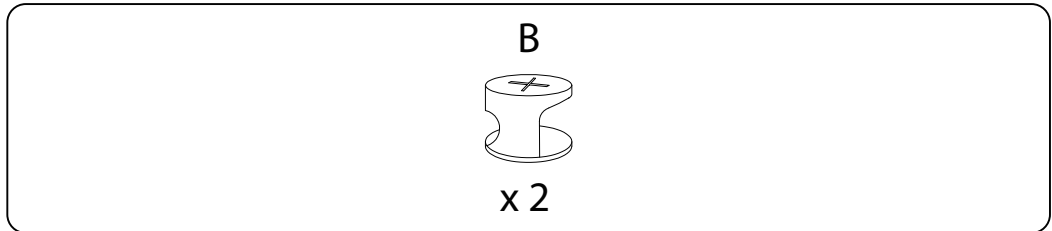
8



9

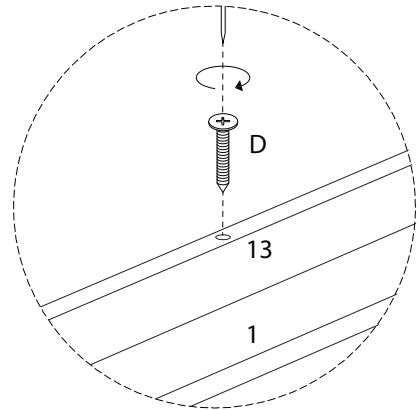
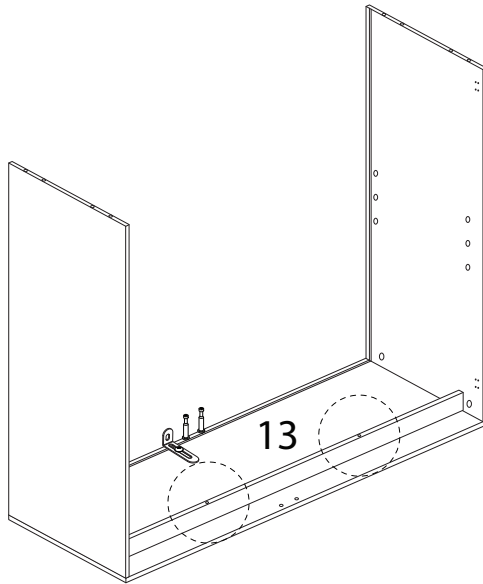
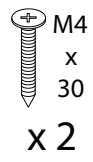


10



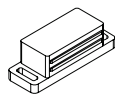
11

D



12

E

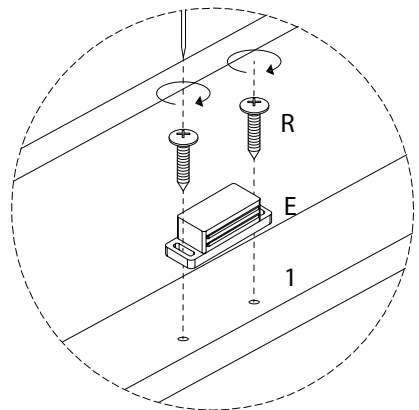
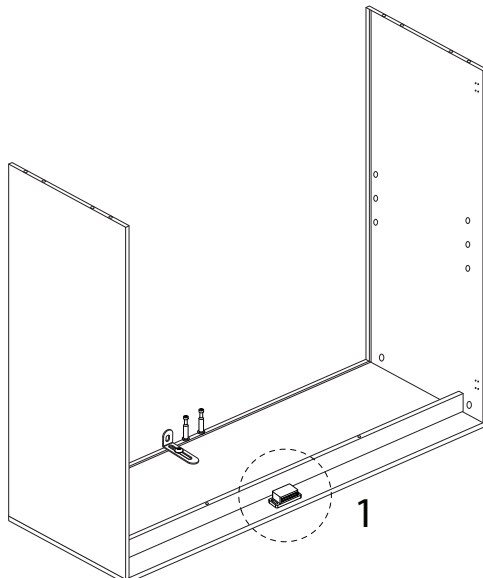


x 1

R



x 2

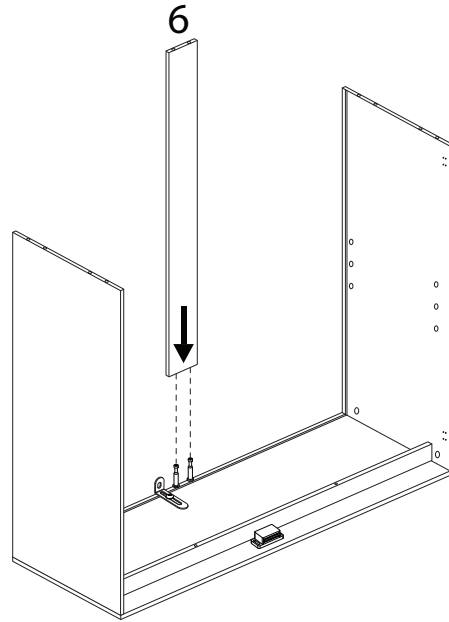


13

6



x 1

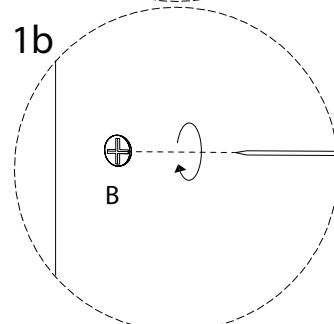
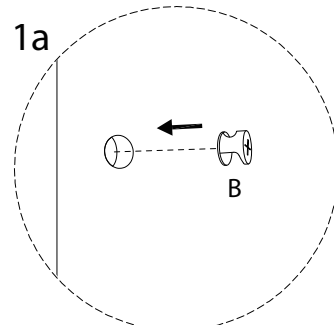
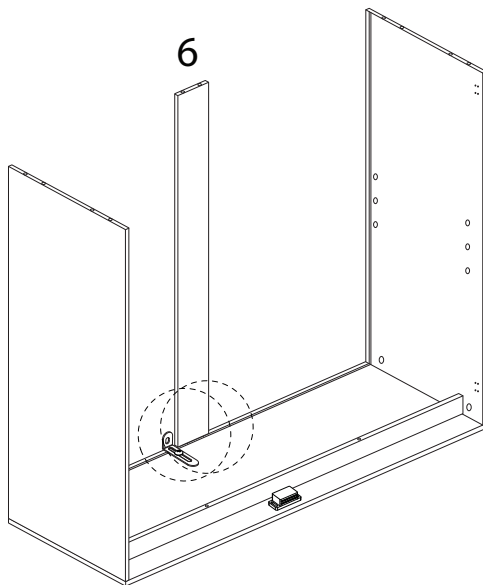


14

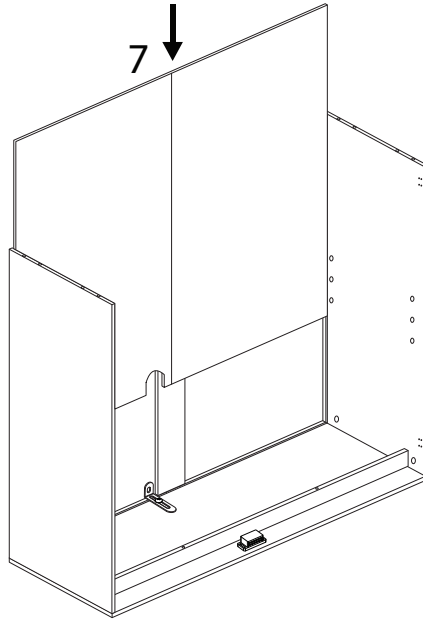
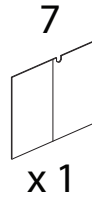
B



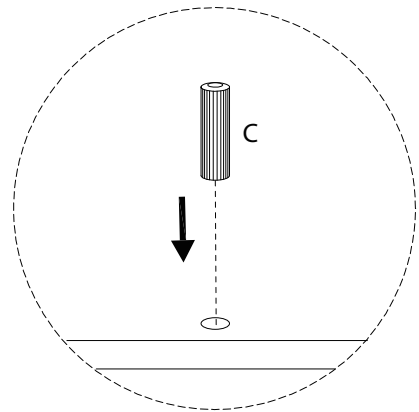
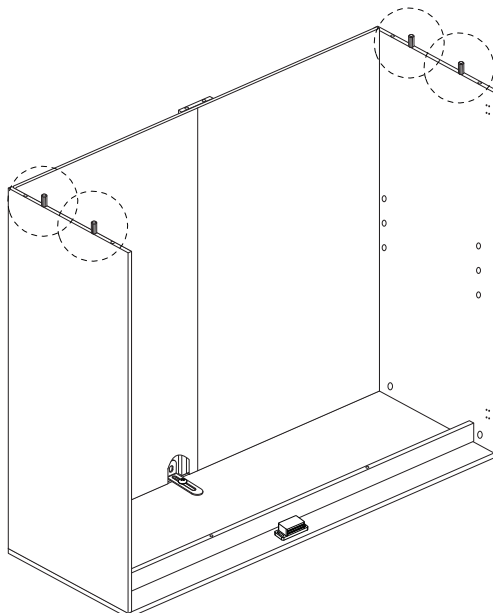
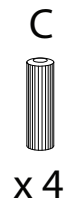
x 2



15

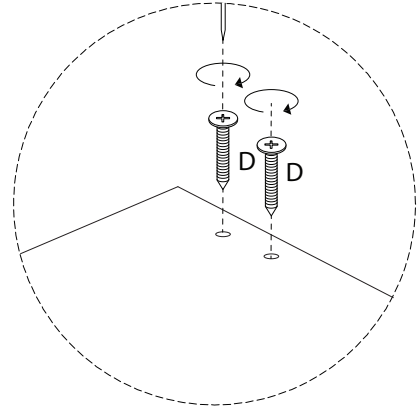
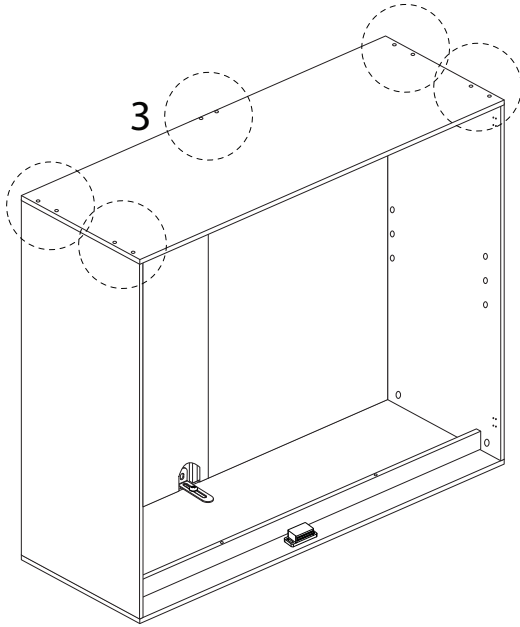


16



17

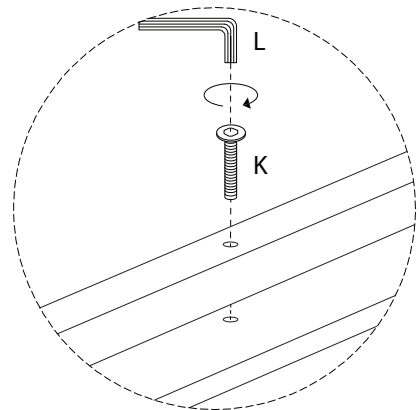
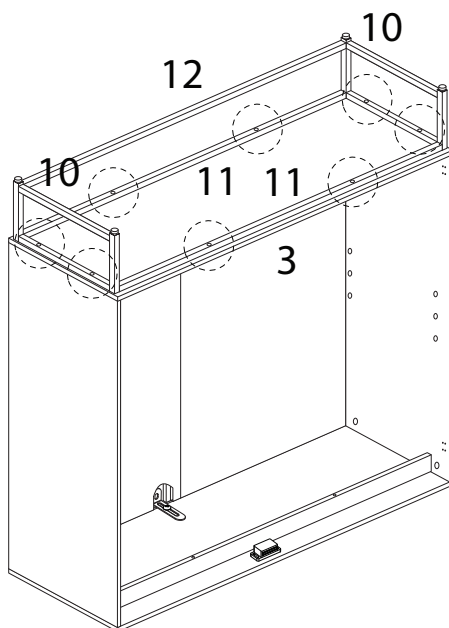
D
M4
x
30
x 6



18

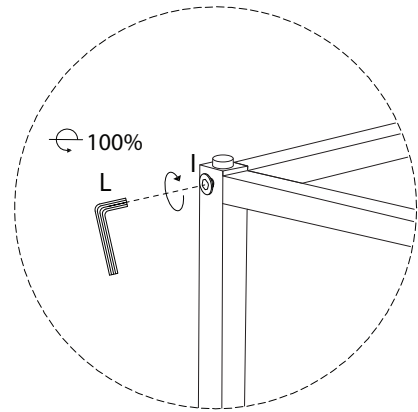
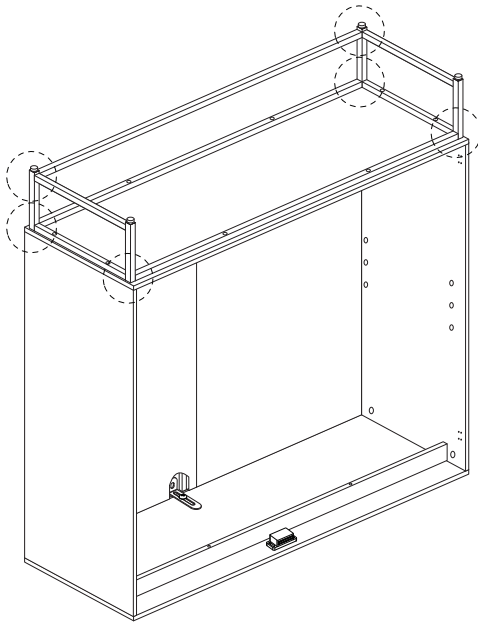
K
M6
x
30
x 8

L
x 1



19

L
x 1



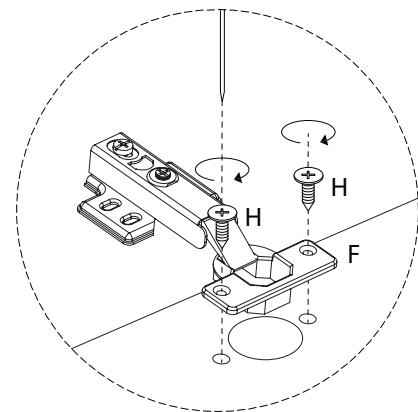
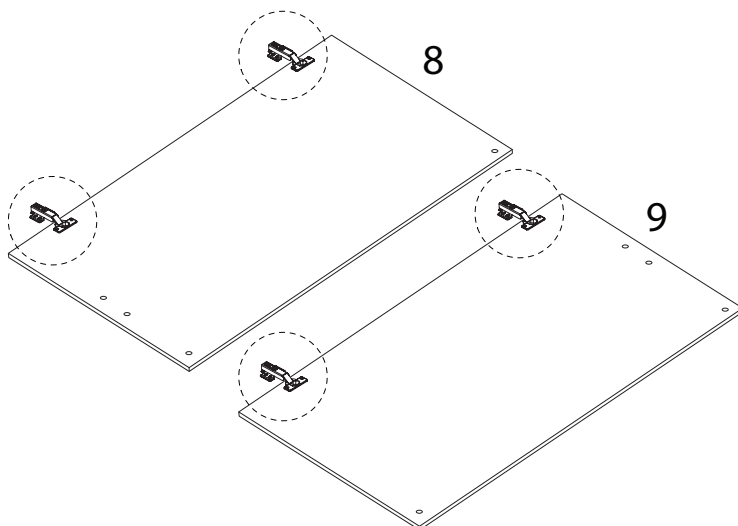
20

8
x 1

9
x 1

F
x 4

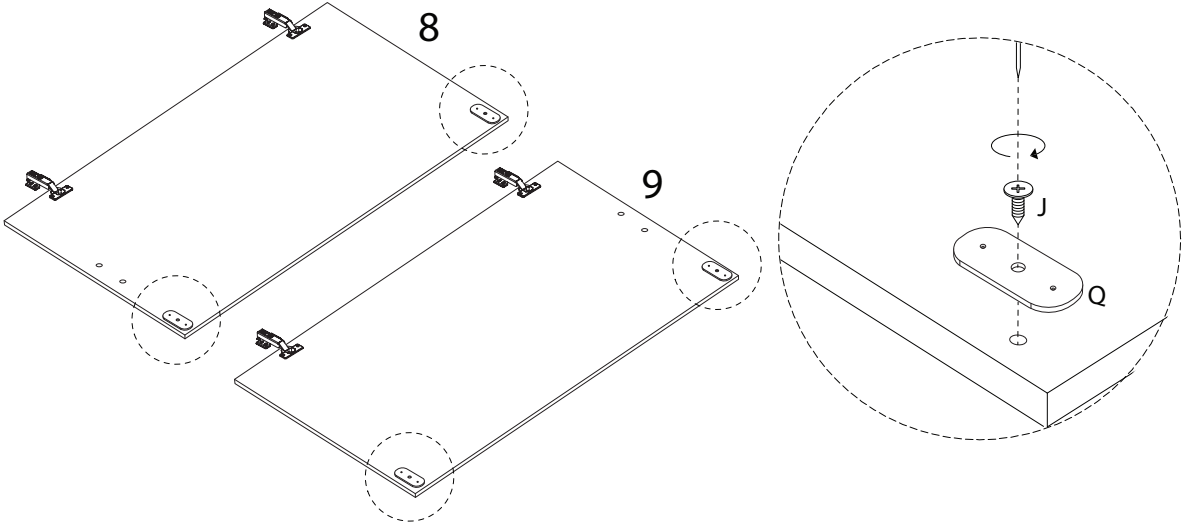
H
M4
x
14
x 8



21

J
M3
x
12
x 4

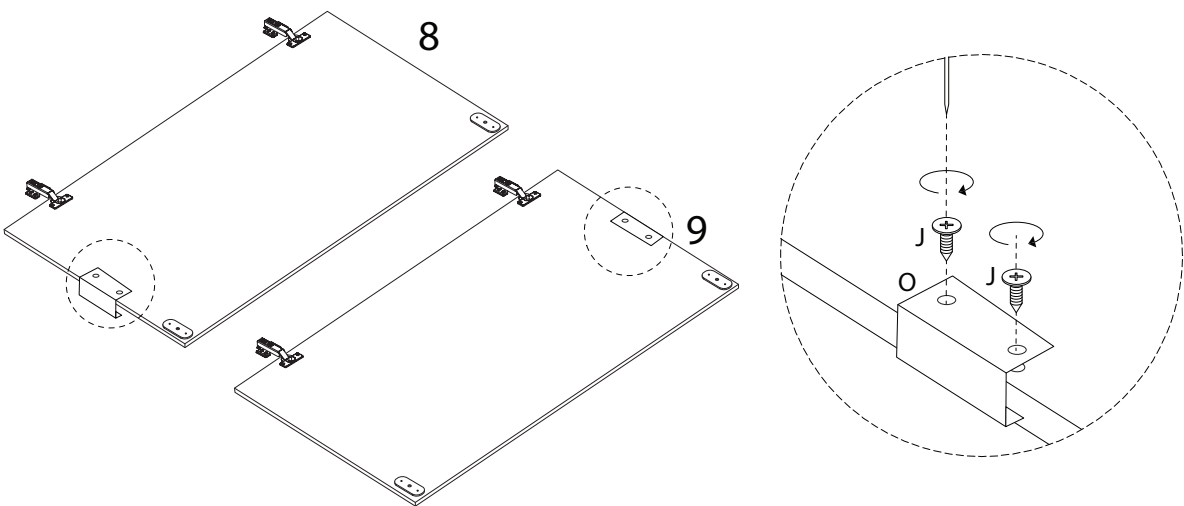
Q
x 4



22

J
M3
x
12
x 4

O
x 2

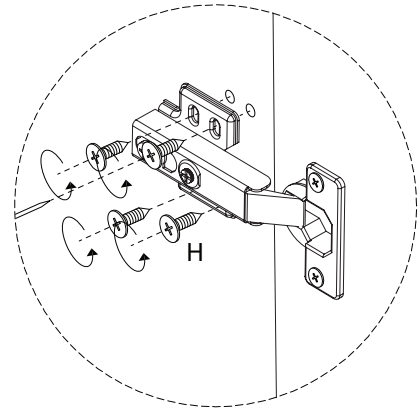
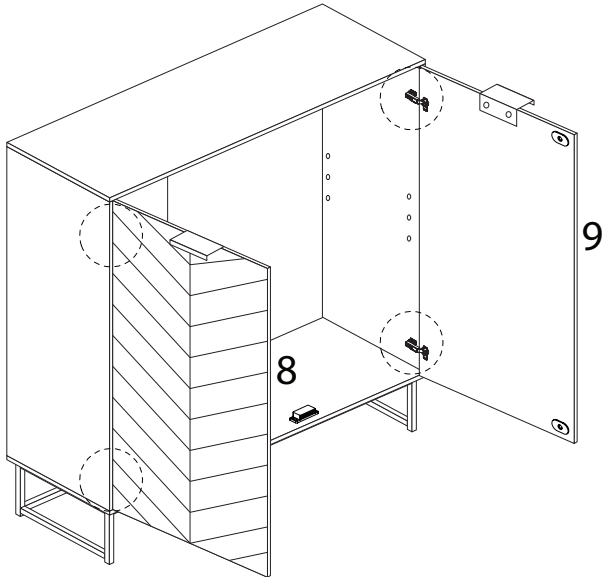


23

H

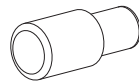


x 16

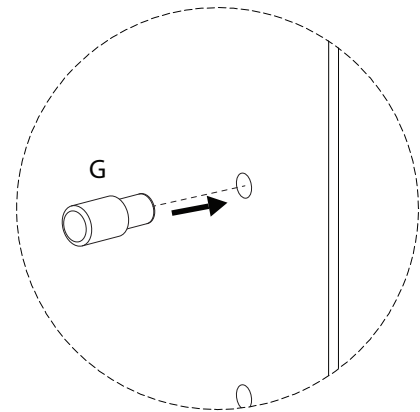
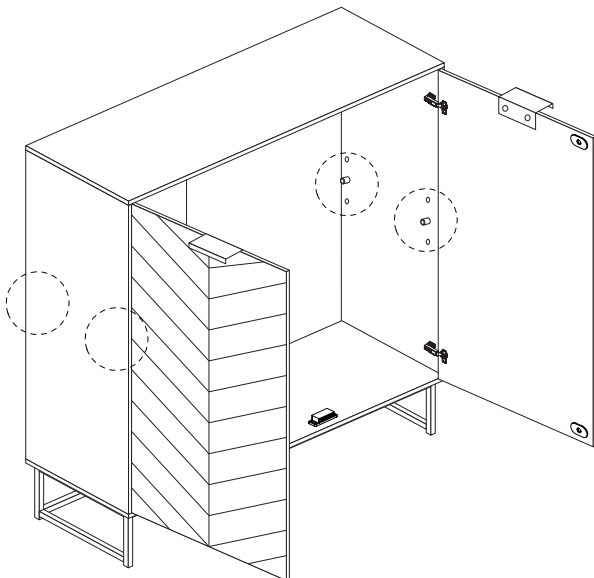


24

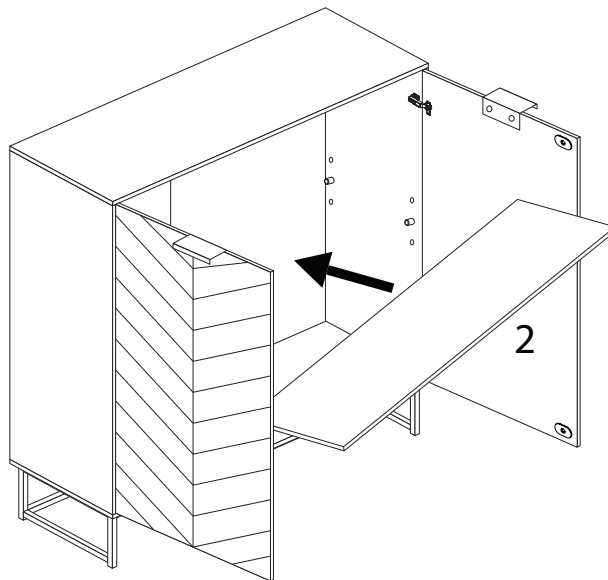
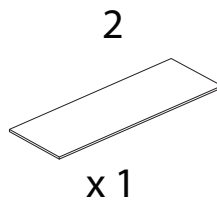
G



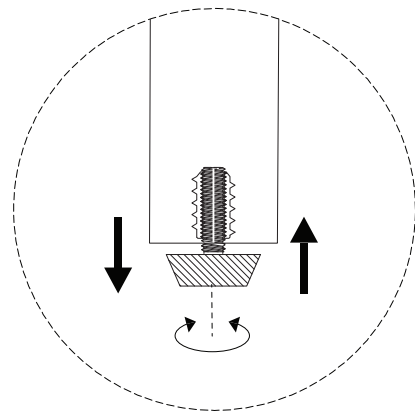
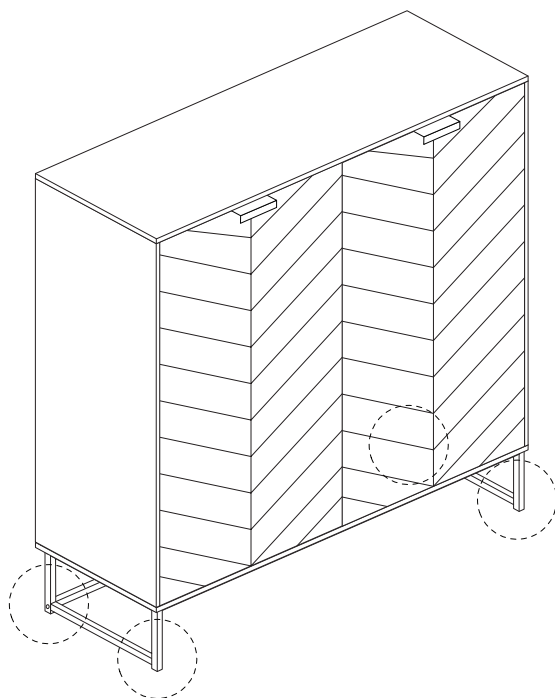
x 4



25

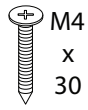


26



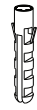
27

D

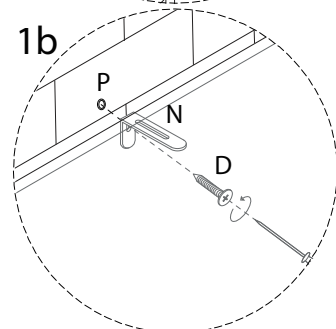
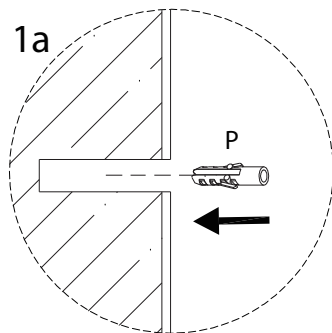
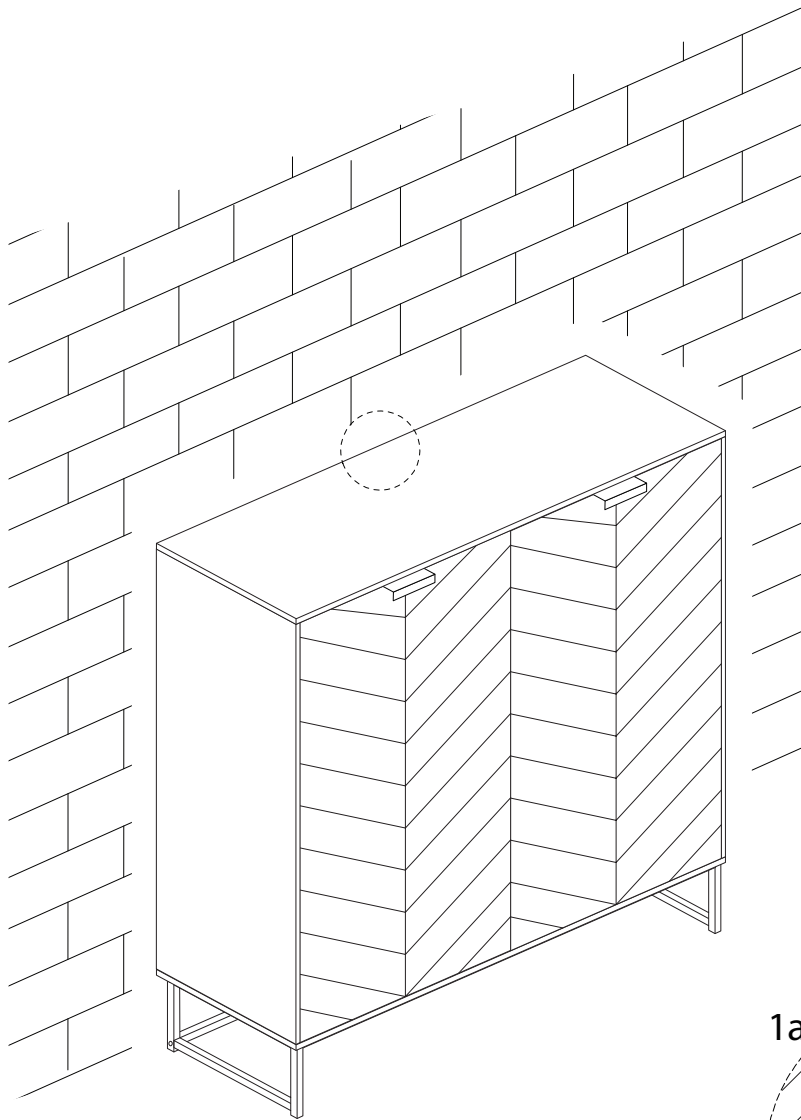


x 1

P



x 1



!

