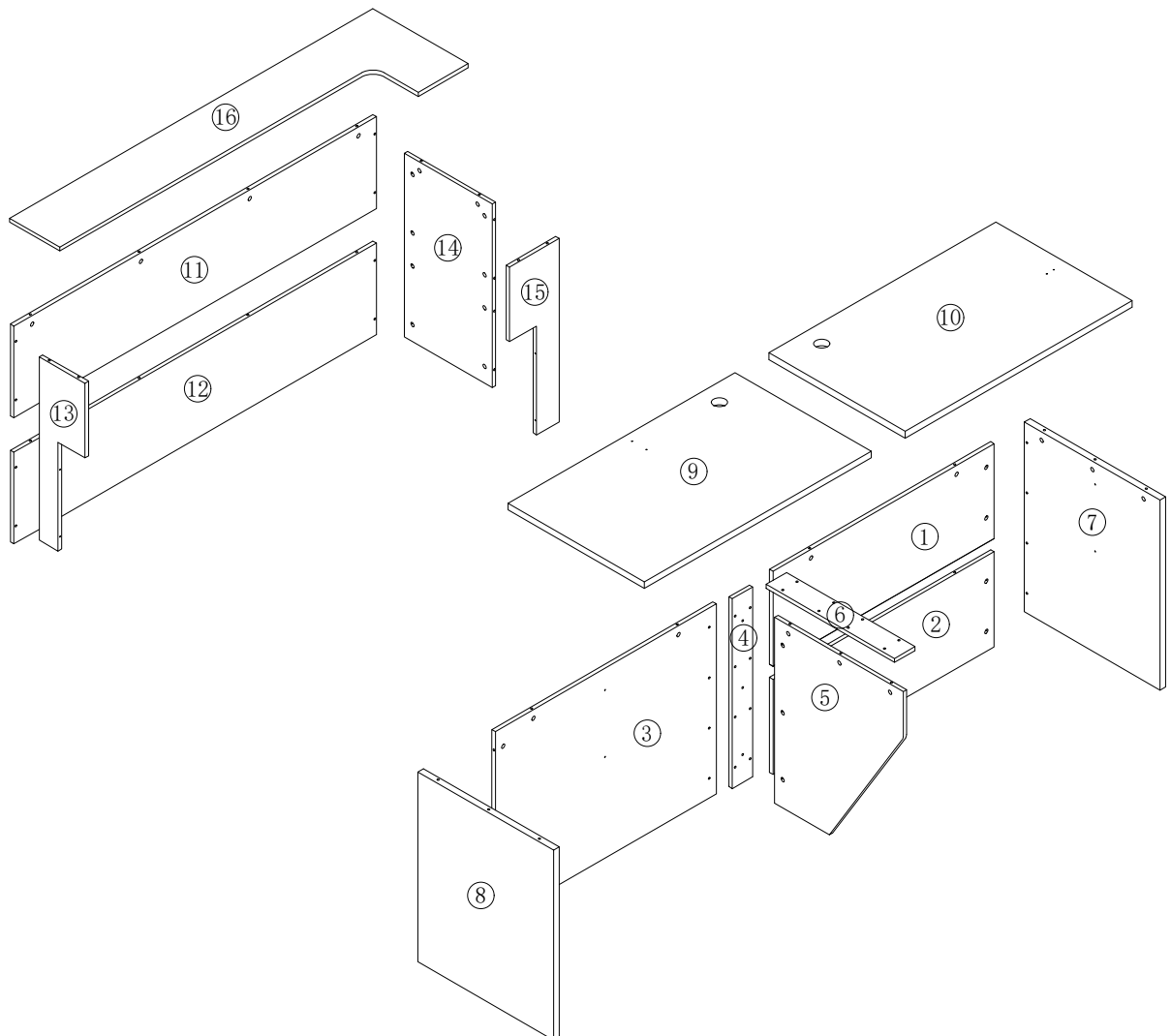
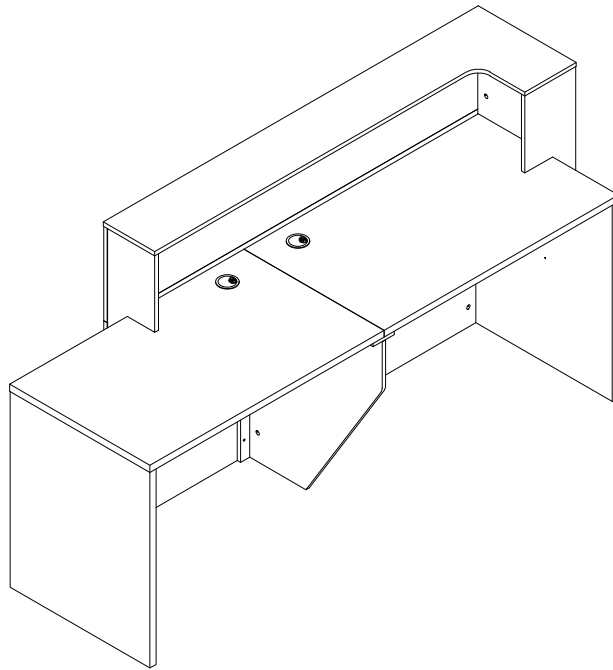


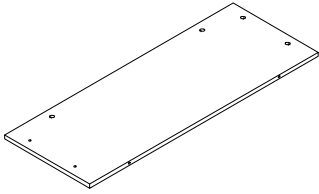
ASSEMBLY INSTRUCTION



ASSEMBLY INSTRUCTION

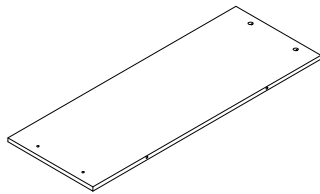
①

1PC



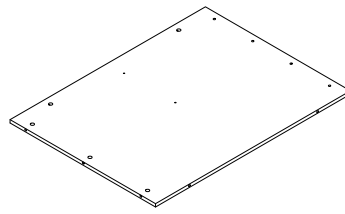
②

1PC



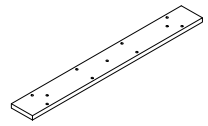
③

1PC



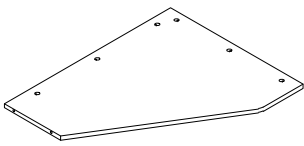
④

1PC



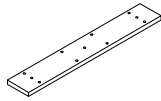
⑤

1PC



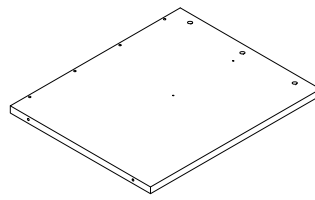
⑥

1PC



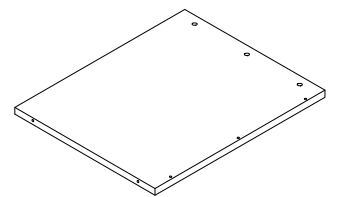
⑦

1PC



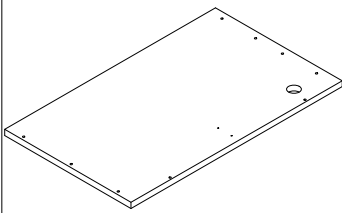
⑧

1PC



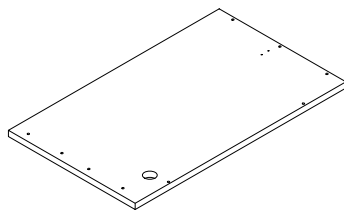
⑨

1PC



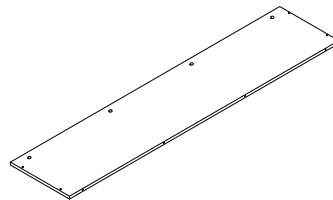
⑩

1PC



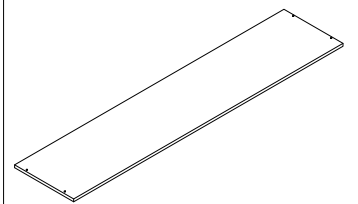
⑪

1PC



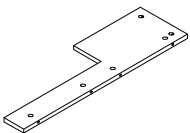
⑫

1PC



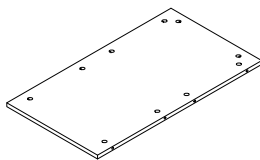
⑬

1PC



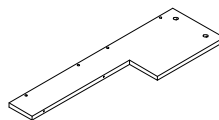
⑭

1PC



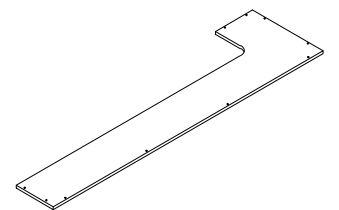
⑮

1PC

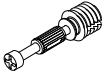



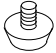








⑯

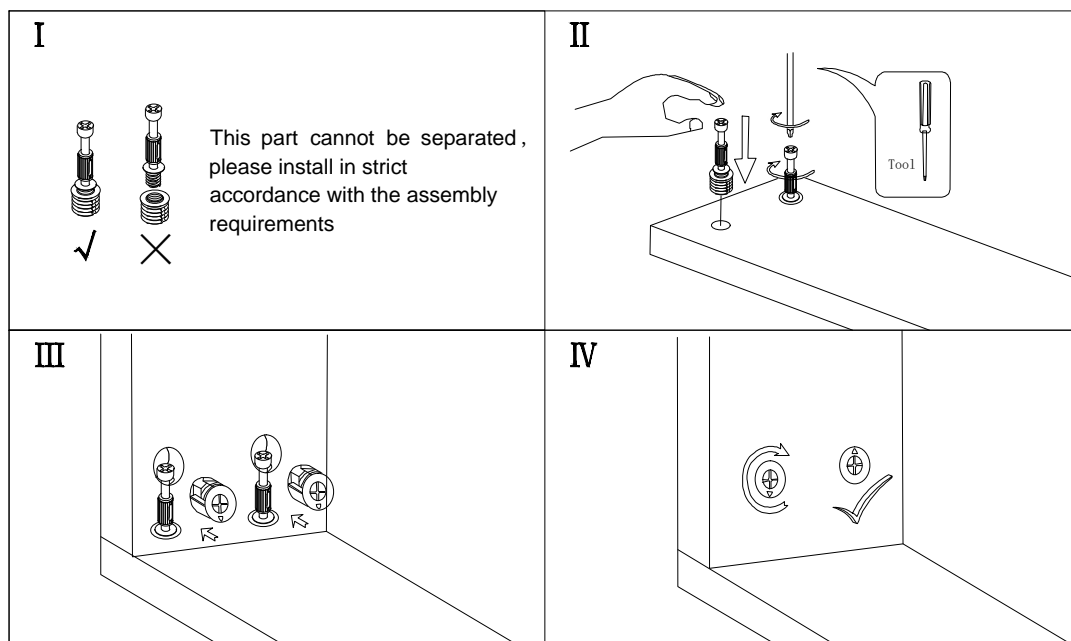
1PC



ASSEMBLY INSTRUCTION

<p>A 45PCS</p>  <p>M6*40</p>	<p>B 45PCS</p>  <p>Ø15*9.5</p>	<p>C 6PCS</p>  <p>Ø6*40</p>	<p>D 16PCS</p>  <p>M6*25</p>
<p>E 10PCS</p>  <p>M6*15</p>	<p>F 4PCS</p>  <p>Ø5*48</p>	<p>G 4PCS</p>  <p>Ø3.5*40</p>	<p>H 2PCS</p>  <p>Ø50</p>
<p>I 22PCS</p> 	<p>J 23PCS</p> 		
Empty space for additional parts or notes			

"A" Hardware installation example

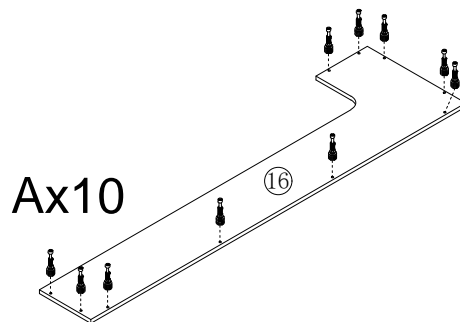
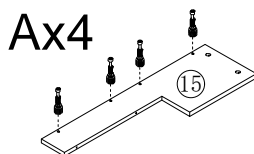
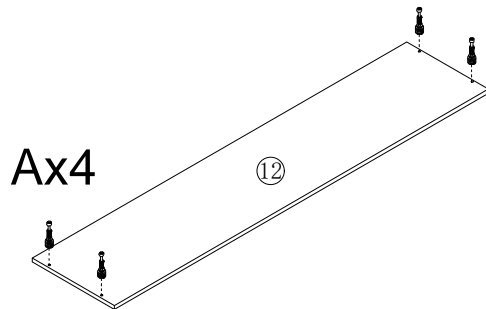
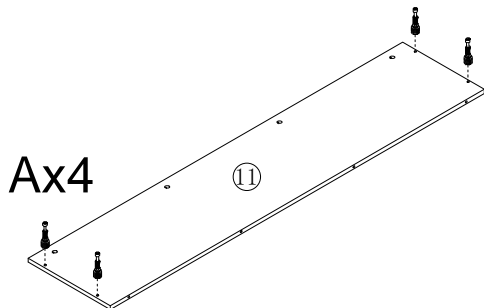
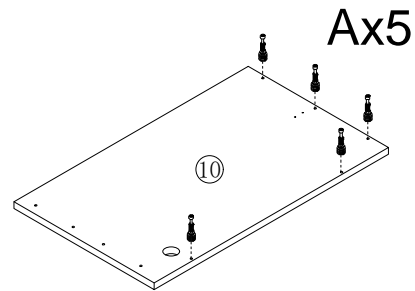
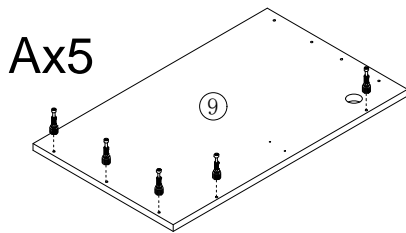
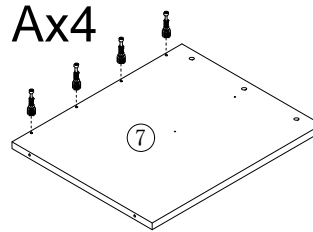
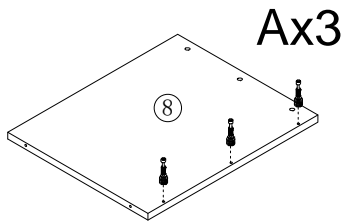
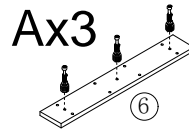
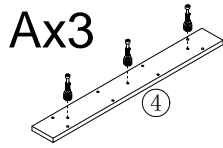


Step 1


A 45PCS

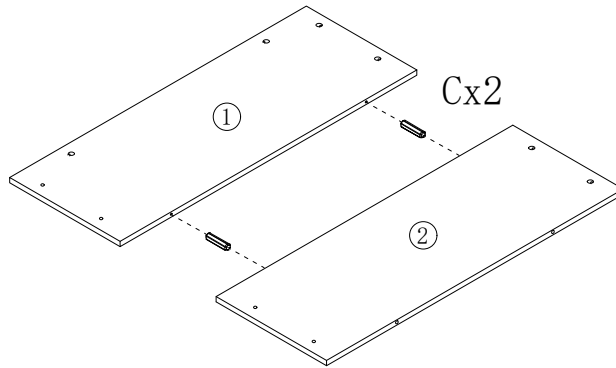


M6*40




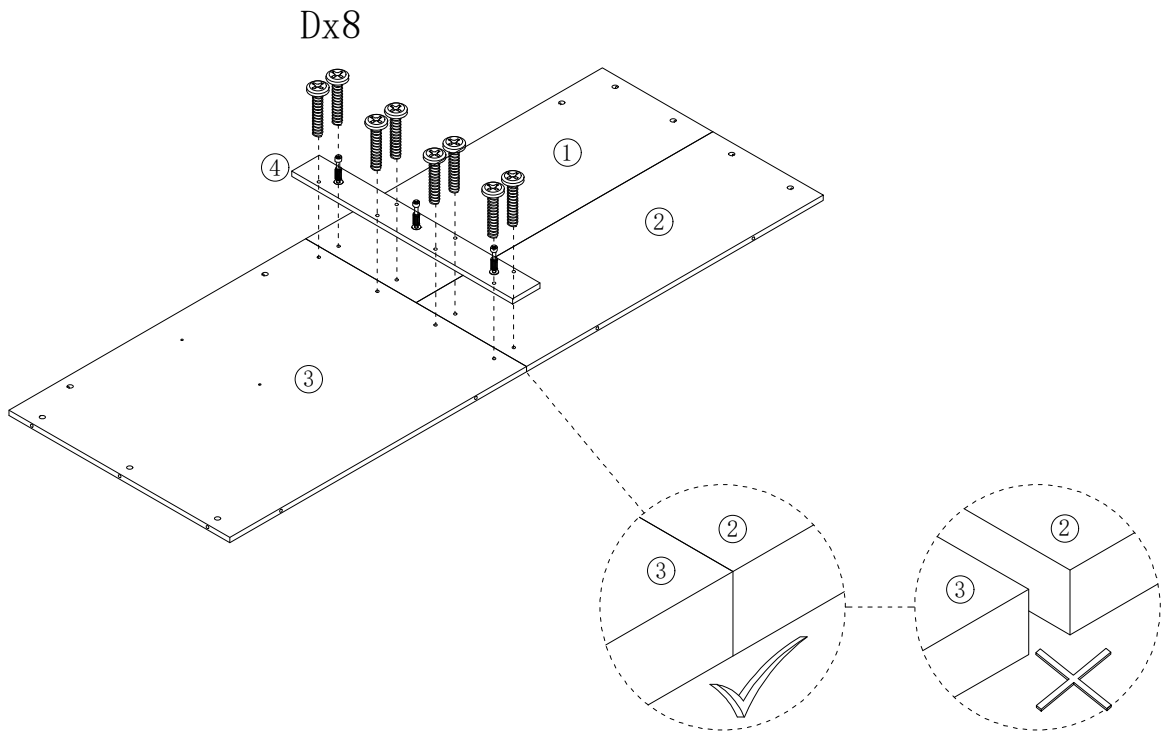
Step 2

C 2PCS

Ø6*40




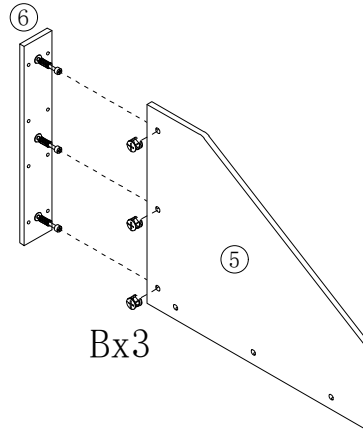
Step 3

D 8PCS

M6*25




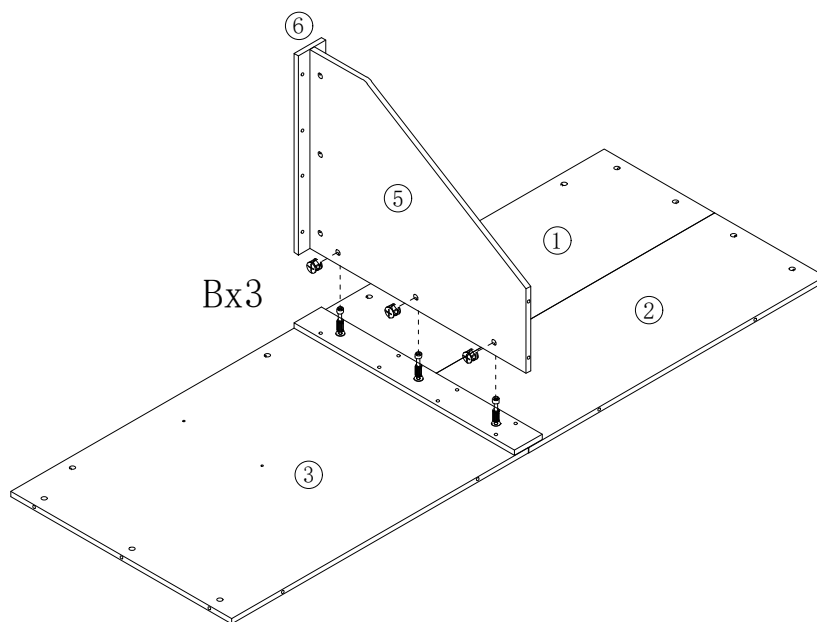
Step 4

B 3PCS

Ø15*9.5




Step 5

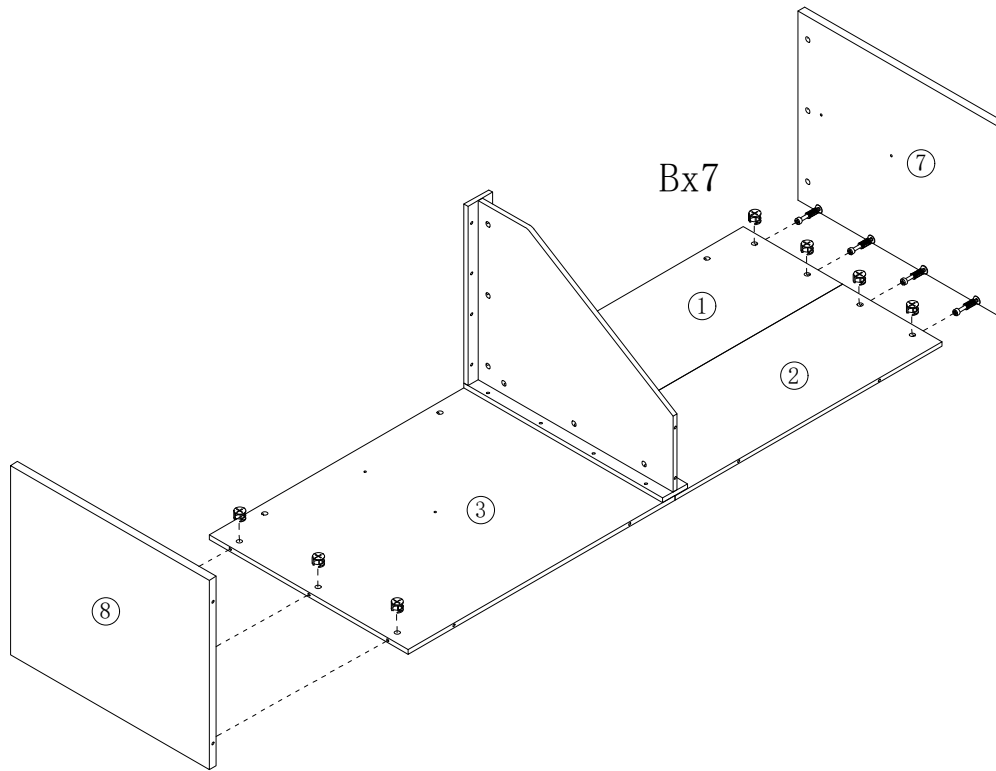
B 3PCS

Ø15*9.5





ASSEMBLY INSTRUCTION

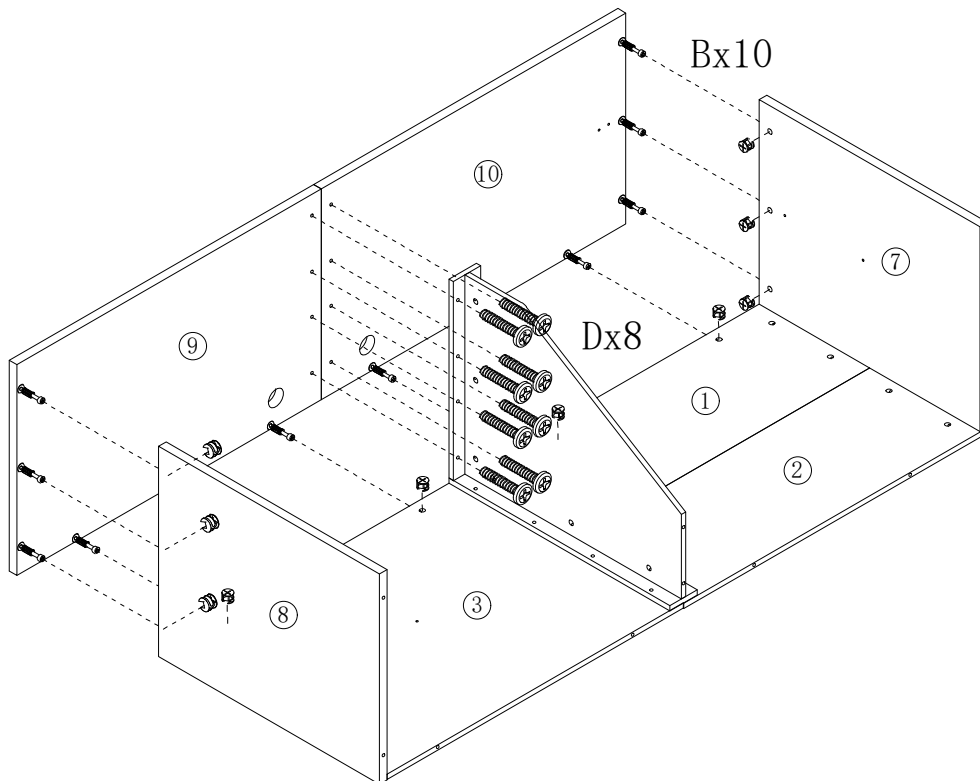
Step 6

B 7PCS

Ø15*9.5




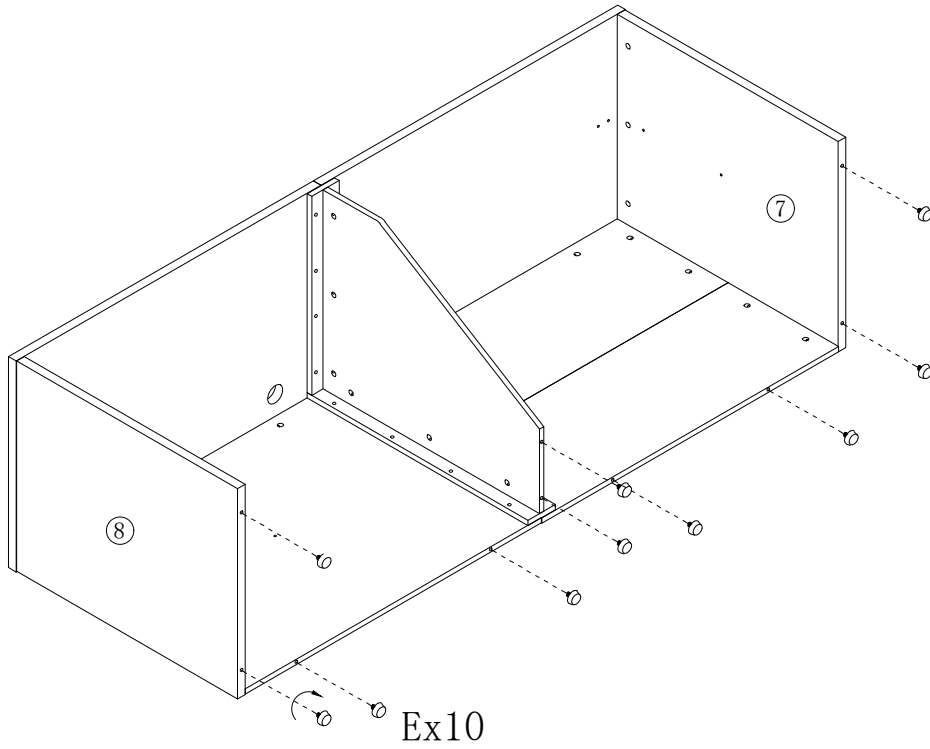
Step 7

B 10PCS

Ø15*9.5
D 8PCS

M6*25




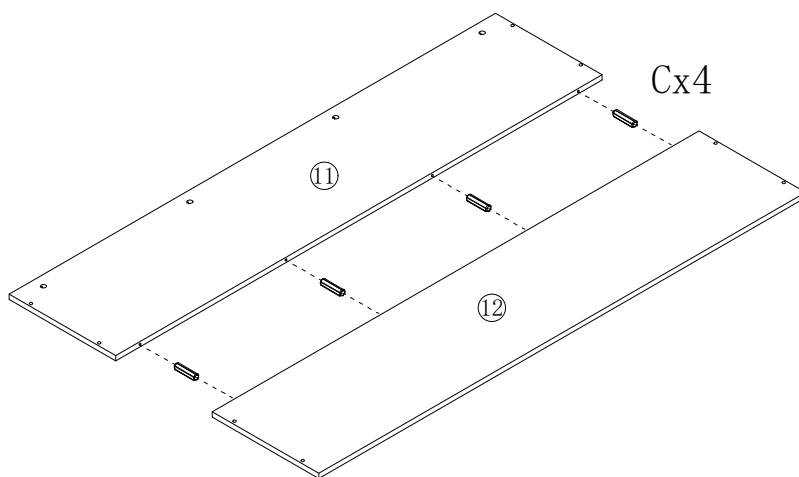
Step 8

E 10PCS

M6*15




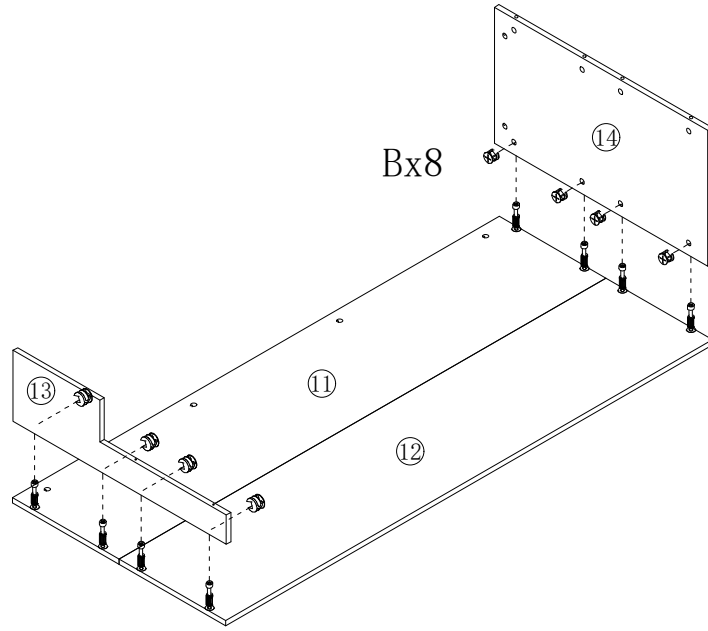
Step 9

C 4PCS

Ø6*40




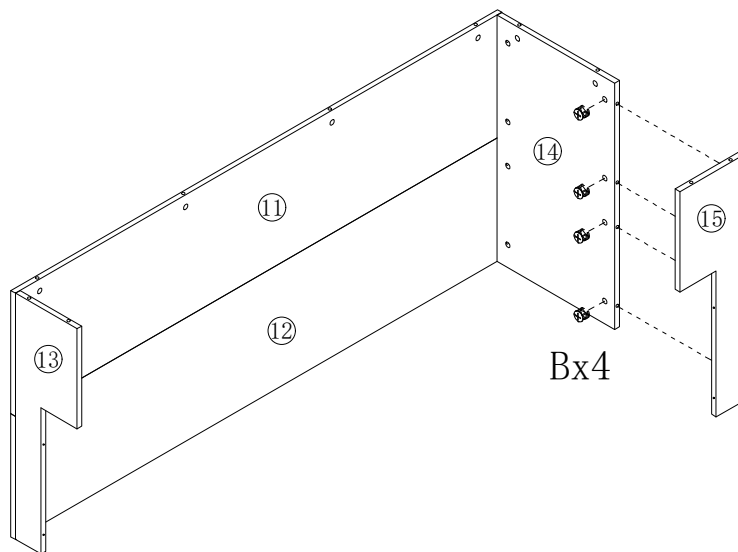
Step 10

B 8PCS

Ø15*9.5




Step 11

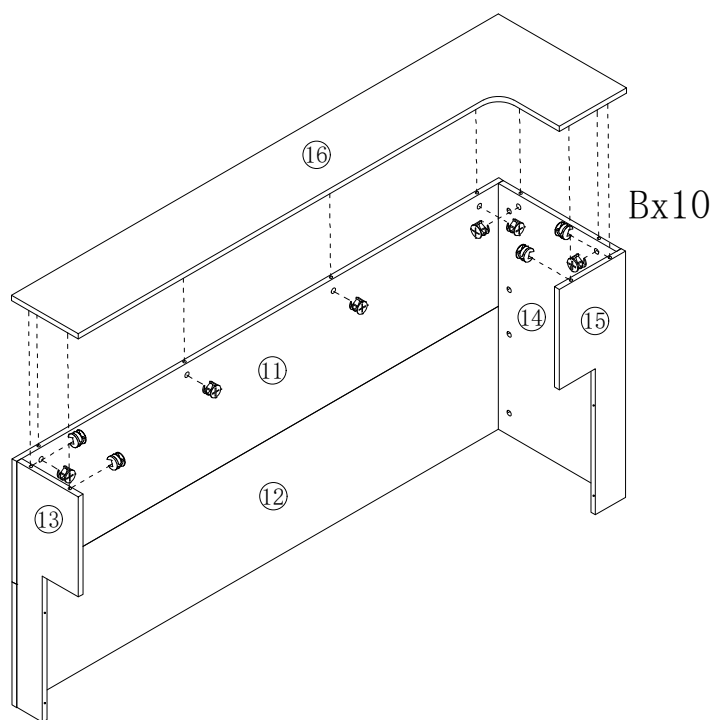
B 4PCS

Ø15*9.5




ASSEMBLY INSTRUCTION

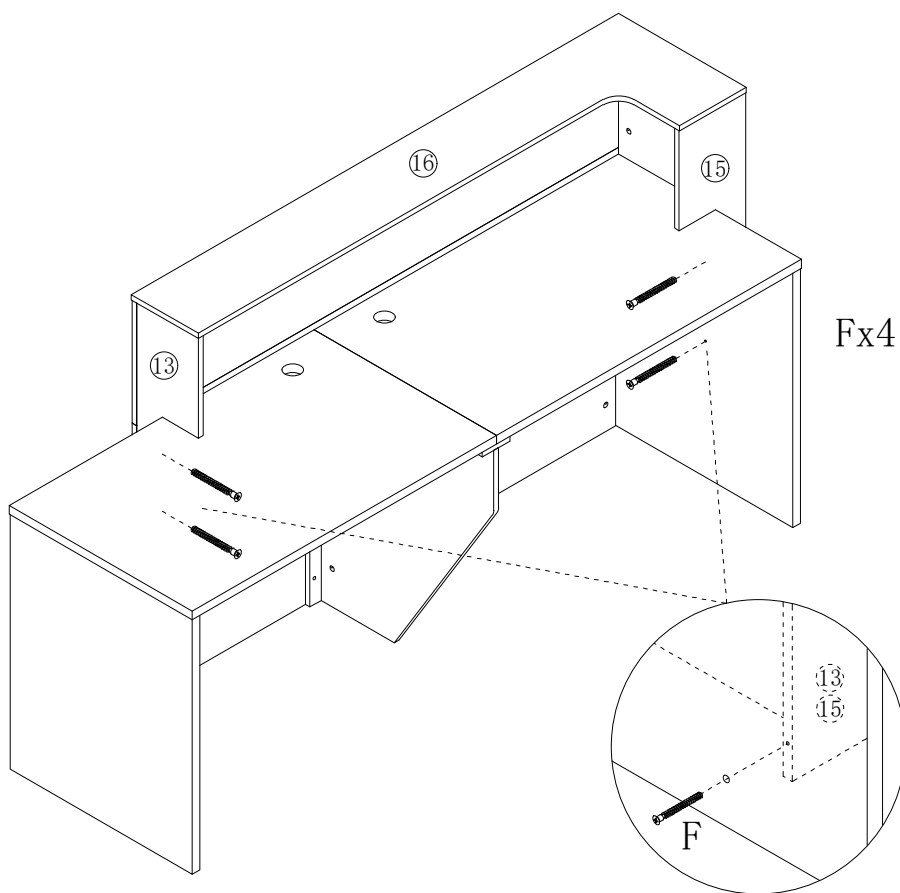
Step 12

B 10PCS

Ø15*9.5

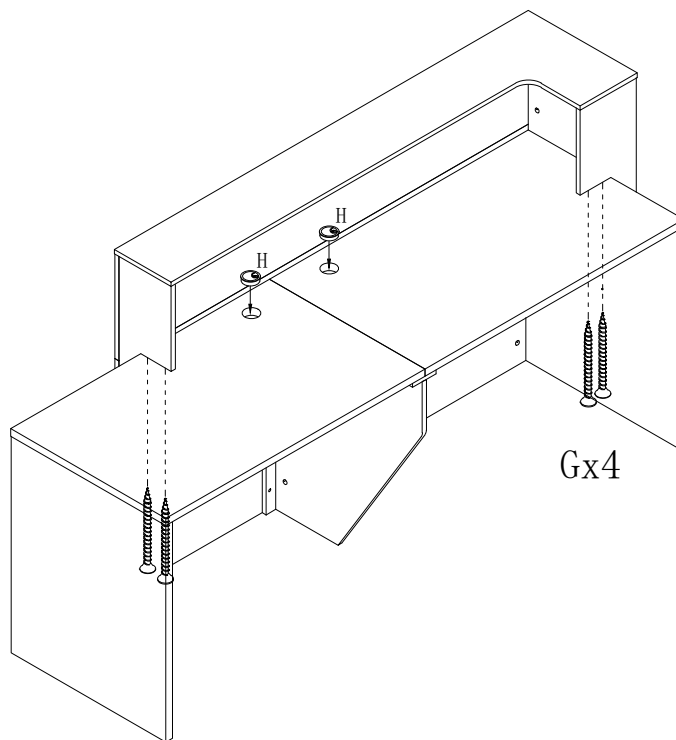




Step 13

F 4PCS

05*48

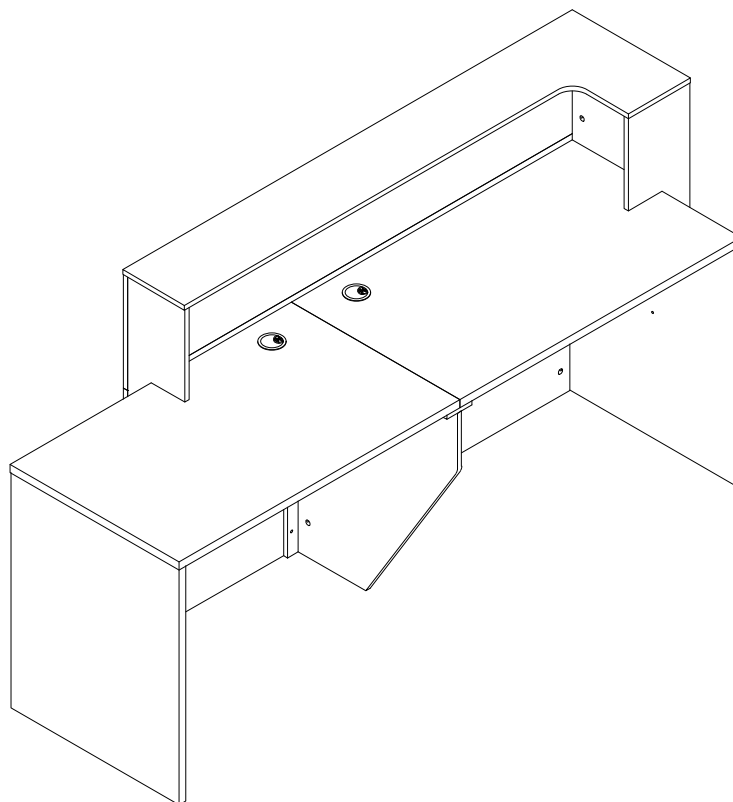


Step 14



G	4PCS
	
Ø3.5*40	
H	2PCS
	
Ø50	

Step 15



OK