







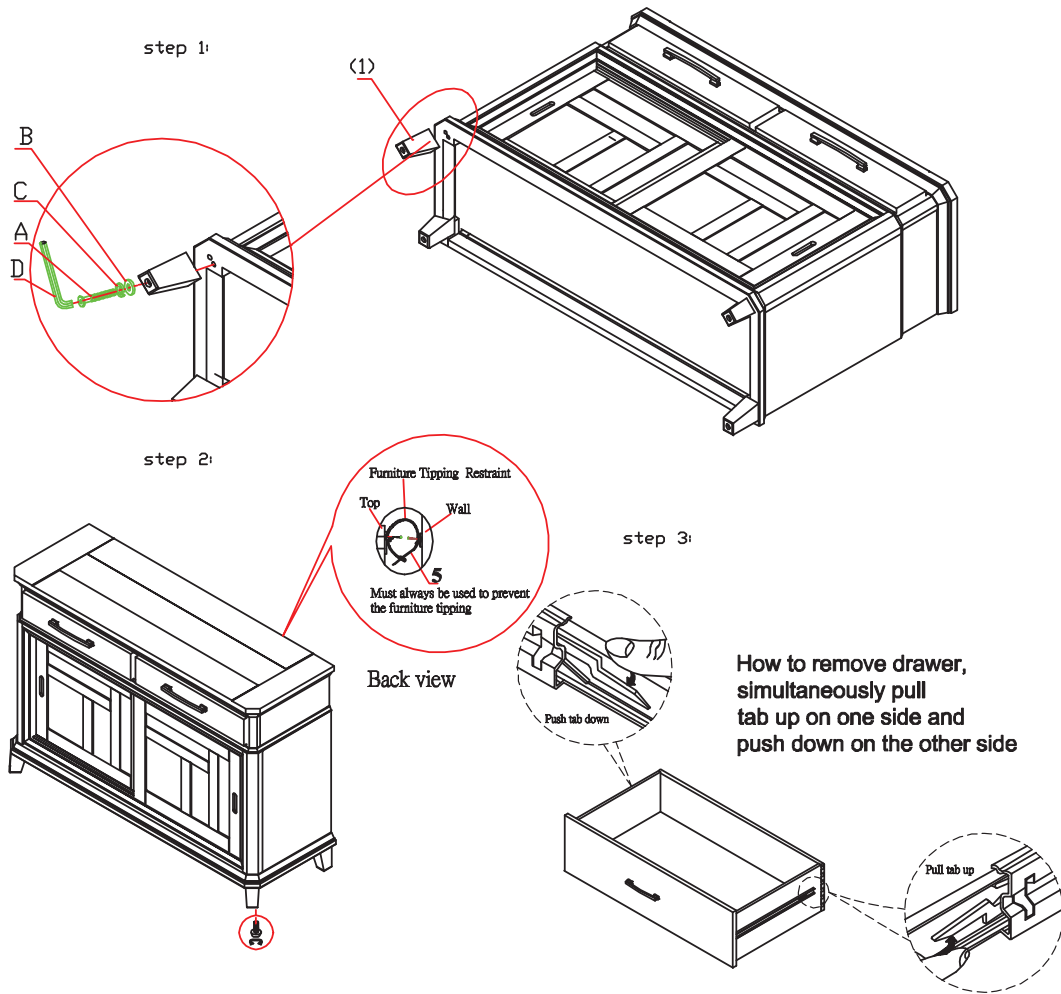
Assembly instructions

DESCRIPTION SLIDING DOOR BUFFET

Thank you for purchasing this quality product. Be sure to check all packing materials carefully for small parts which may have some loose inside the carton during shipment. Identify and count all parts and compare with the parts List Below:

3			
NO.	SKETCH	Assembly Hardware Pack	Q'TY
A		5/16"*L120mm JCBC BOLT	4
B		Flat washer 5/16"*(16)*2mm	4
C		Spring washer 5/16"*(12)*2mm	4
D		Allen key 4*59mm	1

NO.	PARTS LIST		Q'TY
1		Legs	4
2		Tipping Restraint	1



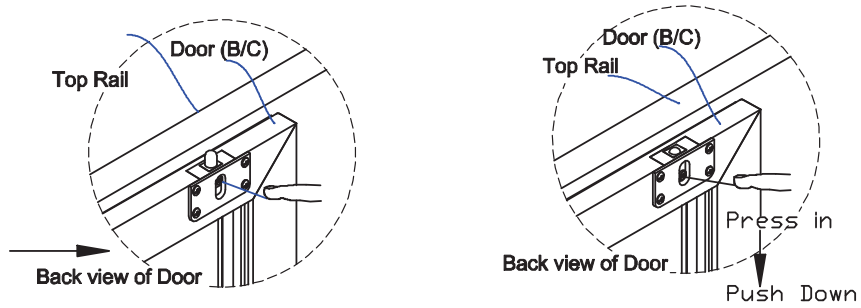
Assembly instructions

DESCRIPTION

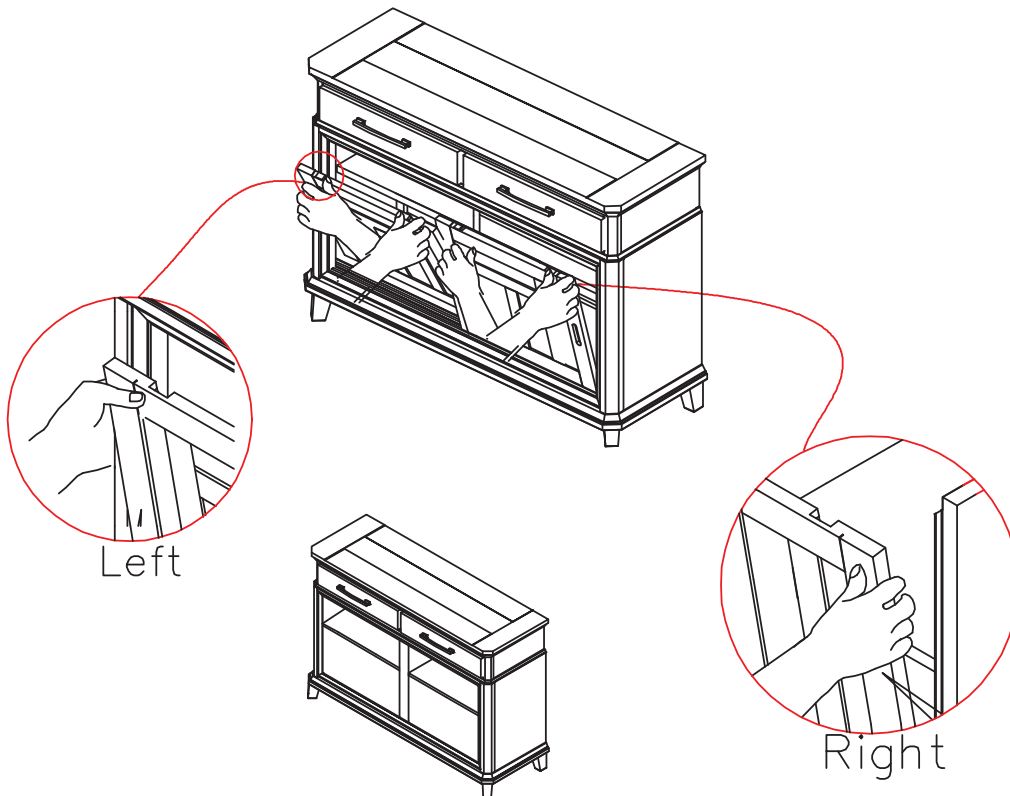
SLIDING DOOR BUFFET

Thank you for purchasing this quality product. Be sure to check all packing materials carefully for small parts which may have some loose inside the carton during shipment. Identify and count all parts and compare with the parts List Below:

step 4: How to remove the sliding door



STEP 1 : Use your forefingers to press in the buttons at the side of the Latches and then push down , If the latches are at lower position already ,please take out the door,

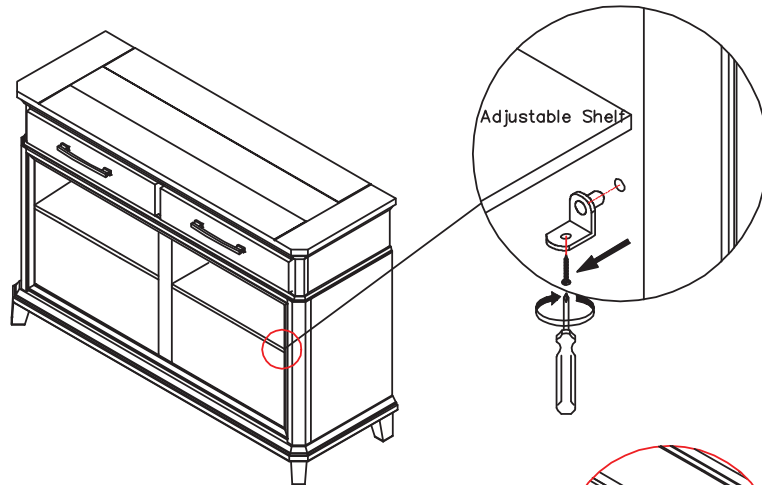


Assembly instructions

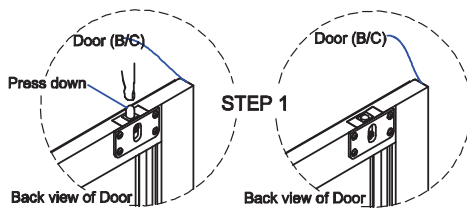
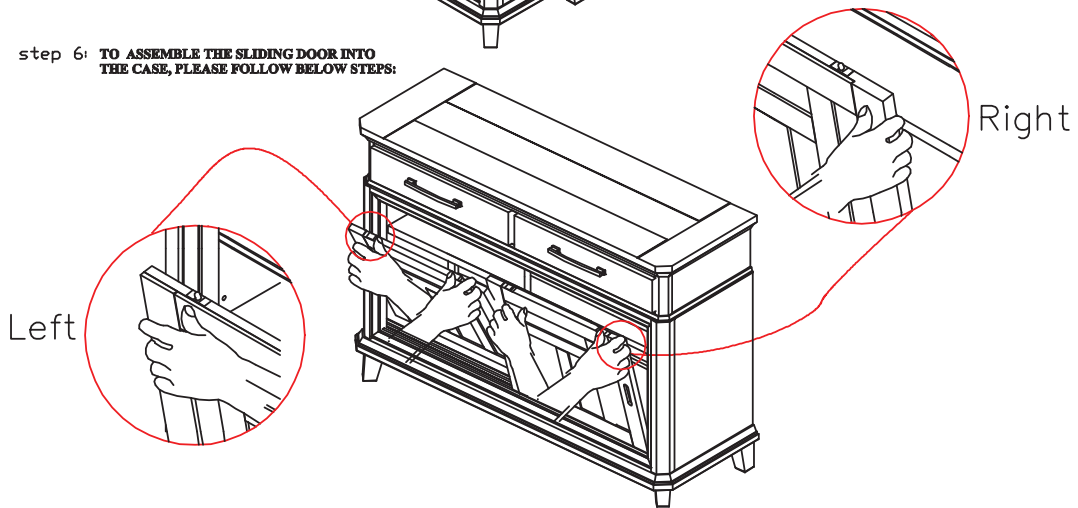
DESCRIPTION SLIDING DOOR BUFFET

Thank you for purchasing this quality product. Be sure to check all packing materials carefully for small parts which may have some loose inside the carton during shipment. Identify and count all parts and compare with the parts List Below:

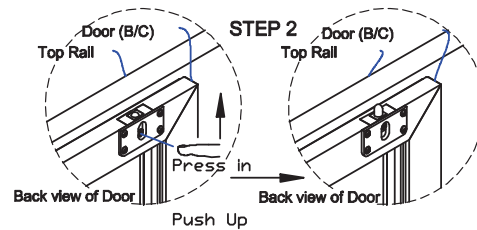
step 5:



step 6: **TO ASSEMBLE THE SLIDING DOOR INTO THE CASE, PLEASE FOLLOW BELOW STEPS:**



STEP 1: Press down the top latches of door. If the latches are at lower position already, please go to Step 2.



STEP 2: Use your forefingers to press in the buttons at the side of the Latches so that the Latches go up into the U-Track.