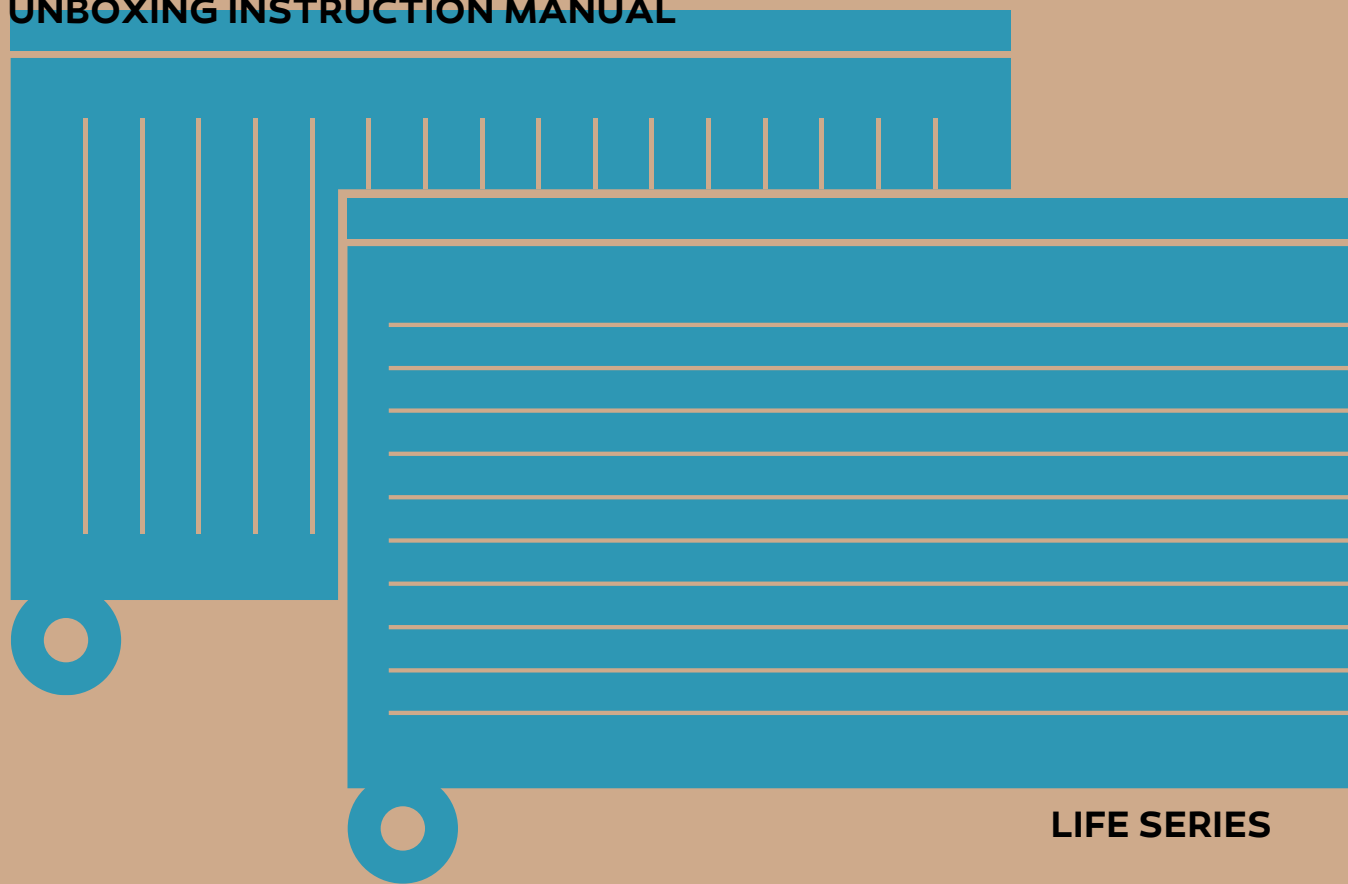


DECK BOX

HORIZON / URBAN / WOODS

UNBOXING INSTRUCTION MANUAL



LIFE SERIES

THANK YOU FOR PURCHASING THE MIRADOR DECK BOX!



This manual will provide you with clear and detailed instructions on how to safely and correctly unpack and remove the deck box packaging.

IMPORTANT

Please read the entire manual carefully before opening the deck box packaging, and please ensure the manual is kept in a safe place for future reference

We reserve the right to make changes for product improvements.

For parts and customer service, please call +1 (877)-506-4777 in the U.S. and Canada (English and Spanish) Monday - Friday: 6:30 am - 4:30 pm, Saturday – Sunday: 8:30 am – 4:30 pm, Pacific Time. Or email: support@miradoroutdoor.com

Digital instruction manual is also available on our official website www.miradoroutdoor.com for your reference.

TABLE OF CONTENTS

- Before Unboxing Your Deck Box	3
- Important Safety Advice	3
- List of Parts	4
- Unboxing	7

BEFORE UNBOXING YOUR DECK BOX



WARNING: Important safety instructions. Follow all instructions, since incorrect unboxing can lead to injury.

Make sure you have all the tools required for unboxing your deck box:

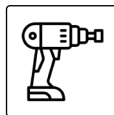
Please ensure you have access to the following tools and accessories, all of which are not provided.



Protective Gloves



Scissors



Cordless Screwdriver

IMPORTANT SAFETY ADVICE

For the safety of all persons unboxing and using the deck box, it is important to follow the safety guidelines below.

Please recycle packaging where possible.



Keep children and pets away from the unboxing area until the work is completed.



Please keep the parts in a place out of reach of children to prevent accidental ingestion.



Dispose of all plastic bags safely. Keep them out of the reach of children.








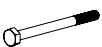



LIST OF PARTS

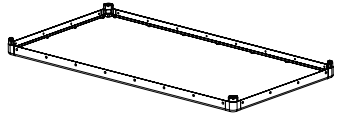

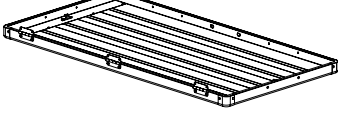
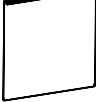
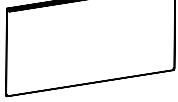
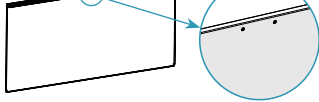


Incorrect unboxing may result in personal injury and product damage.

In the unboxing section of the manual, each step indicates the parts and quantities to be removed for that step.

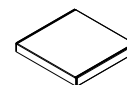
After unboxing the package, it is necessary to sort and dispose of the components (marked with black blocks, eg: **a**) in compliance with the local regulations of your state, city and county.





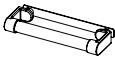
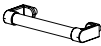

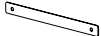
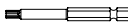

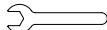
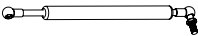
	REF	PART NAME	QTY
a		Corner insert	4
b		Wing thumb nut M4	4
c		Washer	8
d		Spacer	4
e		Nail washer	4
f		Clip spacer 1	2 (134 US Gallon / 112 Imperial Gallon)
			4 (Other sizes)
f1		Clip spacer 2 (134 US Gallon / 112 Imperial Gallon only)	4
h		Bolt	4
j		Corner cover	4

Parts (marked with blue blocks, eg: **A**) are essential for assembling the product. Place these parts on cardboard or another soft surface to prevent scratches on the painted surface when unboxing.



	REF	PART NAME	QTY
A		Base plate & frame (Included screws N)	1
B		Top frame (Included screws N)	1
C		Lid	1
D		Side panel (Included screws N)	2
D1		Front panel (Included screws N)	1
D2		Back panel (Included screws N)	1
G		Short base press (Included screws M)	2
H		Long base press (Included screws M)	2

Accessory box



	REF	PART NAME	QTY		REF	PART NAME	QTY
E		 Pillar (Included screws M)	4	L		Swivel caster	2
		 Pillar press	4				
I		 Handle (Included screws N)	1	P		Torx Allen key (T25)	1
J		 Handle washer	1	Q		Torx bit (T25)	1
O		 M5 Lock washer	2	R		Wrench 12mm	1
K		Gas spring	2				

Refer to the list below for the number of screws required for each product size. All screws have been pre-installed onto the parts, please ensure they are kept safe during unboxing. You'll find spare screws in the accessory pack.

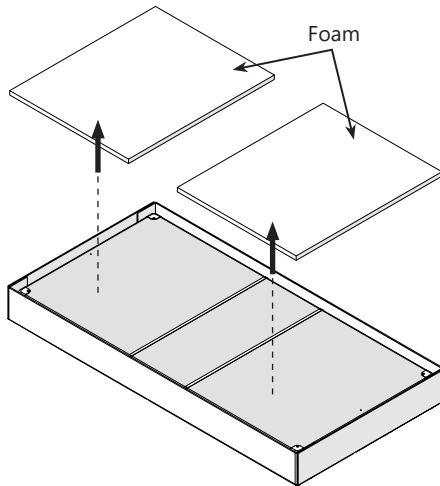
	REF	PART NAME	SIZE (US GALLON / IMPERIAL GALLON)			
			134/112	175/146	205/171	281/234
M		M6x25 Flat head torx screw	34+3	38+3	40+3	42+3
N		M5x12 Dome head torx screw	24+2	24+2	28+2	30+2

UNBOXING

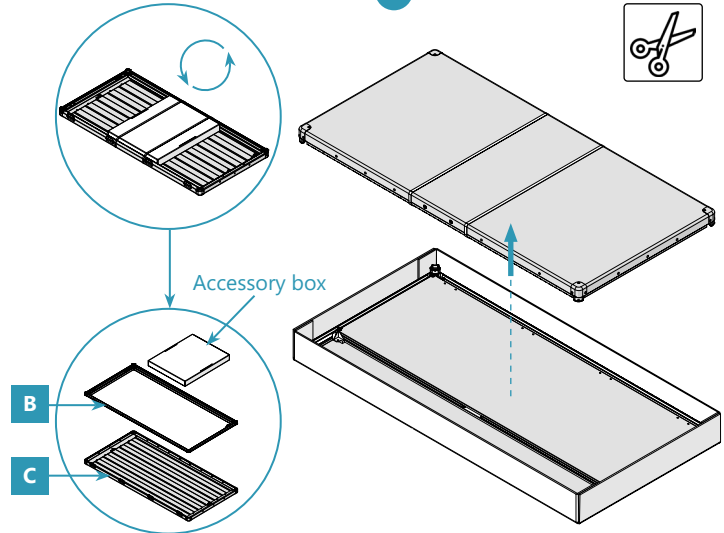
For optimal unboxing, the use of an electric screwdriver is suggested.



1

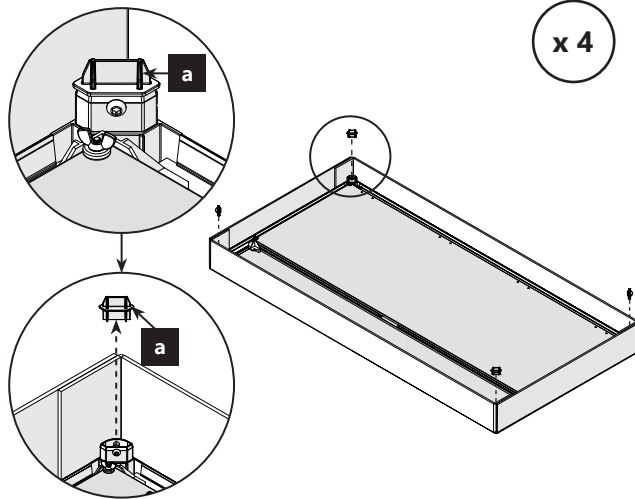


2

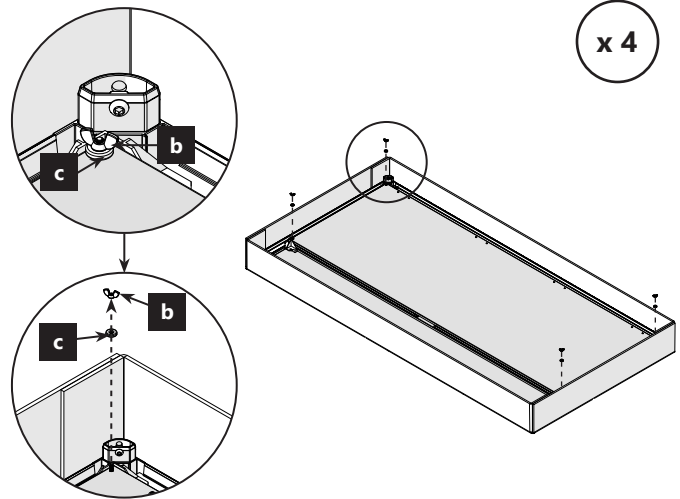


*Please note that the accessory box is tied under the top cover when cutting the straps.

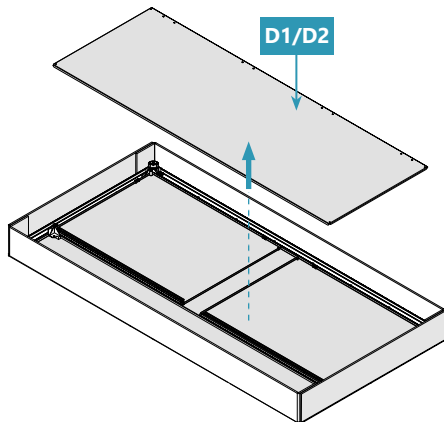
3



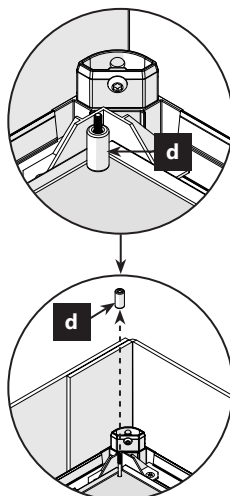
4



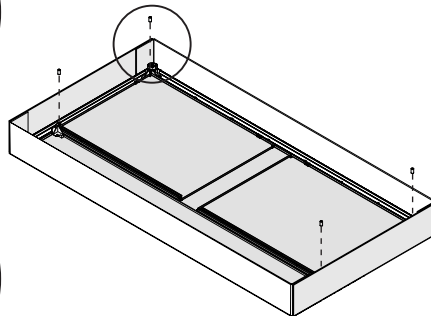
5



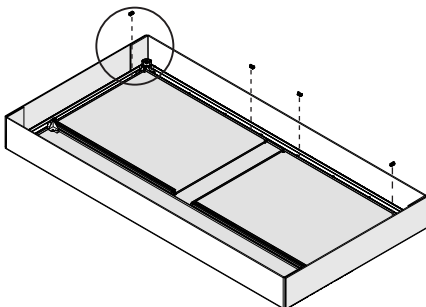
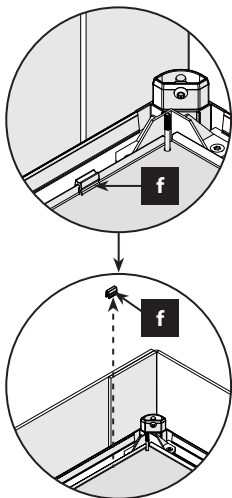
6



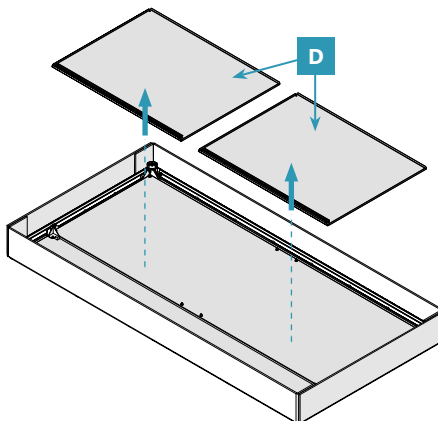
x 4



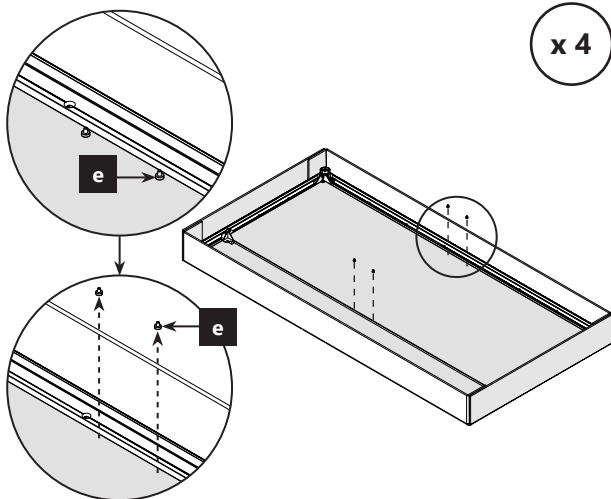
7



8

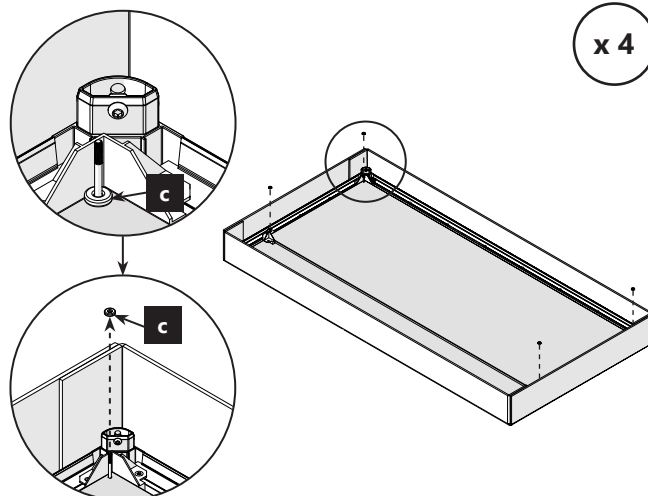


9



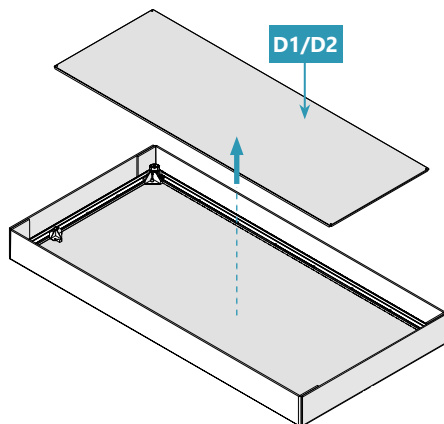
x 4

10



x 4

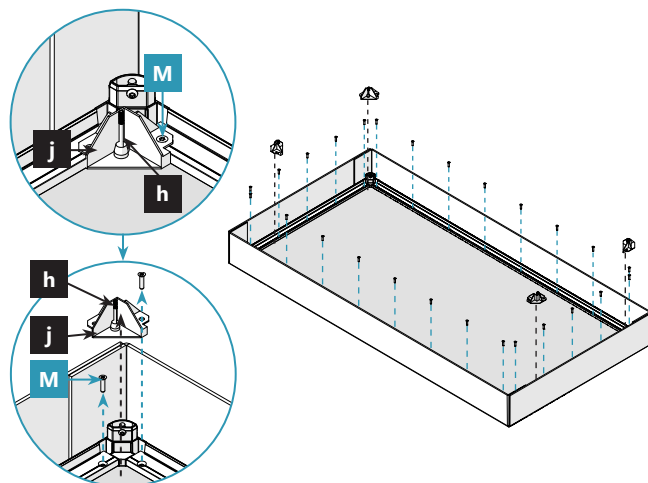
11



12

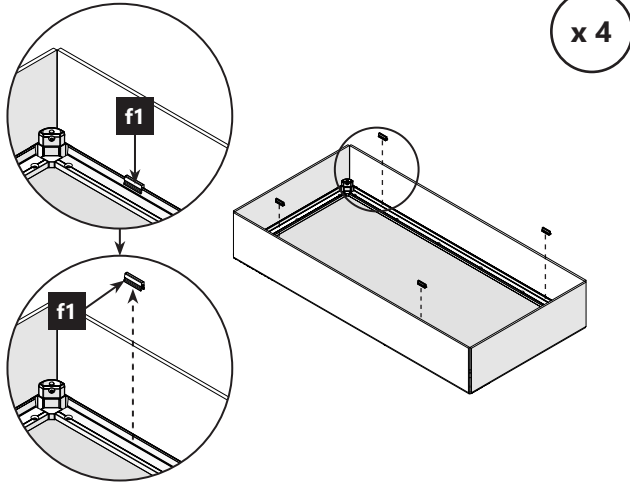
PART	SIZE (US GALLON / IMPERIAL GALLON)			
	134/112	175/146	205/171	281/234
M	18	22	24	26

Please keep the removed screws **M** properly.

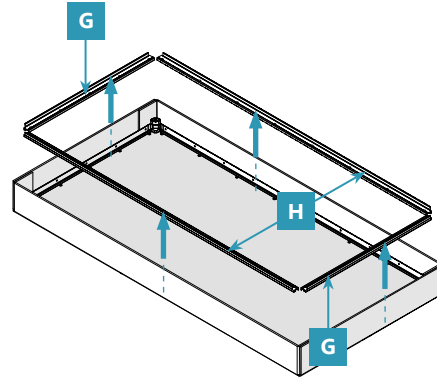


13

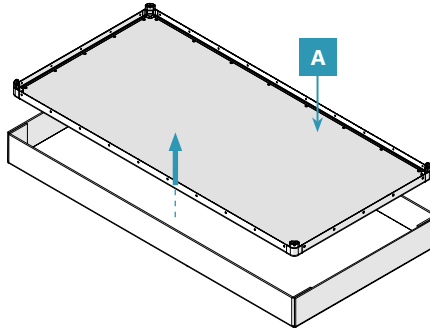
Notice: Only applicable to 134 US Gallon / 112 Imperial Gallon box.



14





15



Unboxing completed,
please refer to the INSTRUCTION MANUAL for product assembly.

more to
enjoy

FOLLOW US ON
WWW.MIRADOROUTDOOR.COM

 @miradoroutdoor  @MiradorOutdoor
 @miradoroutdoor  @miradoroutdoor



Printed on 100%
post-consumer
recycled paper

