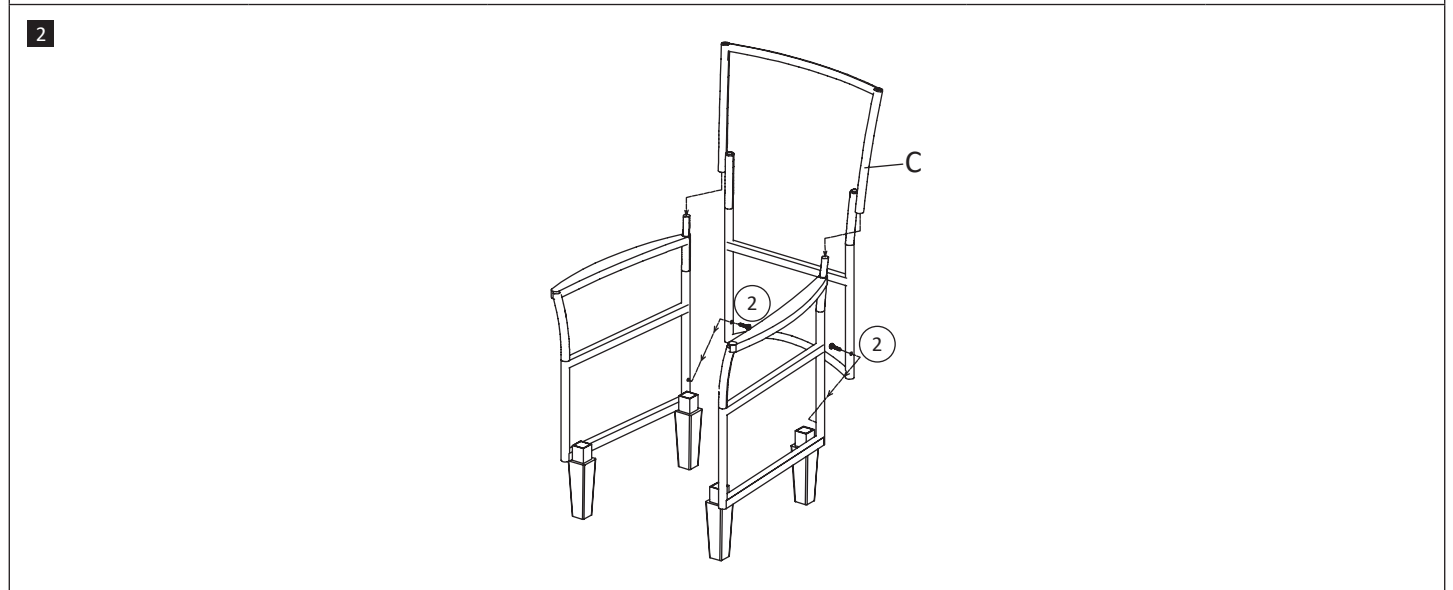
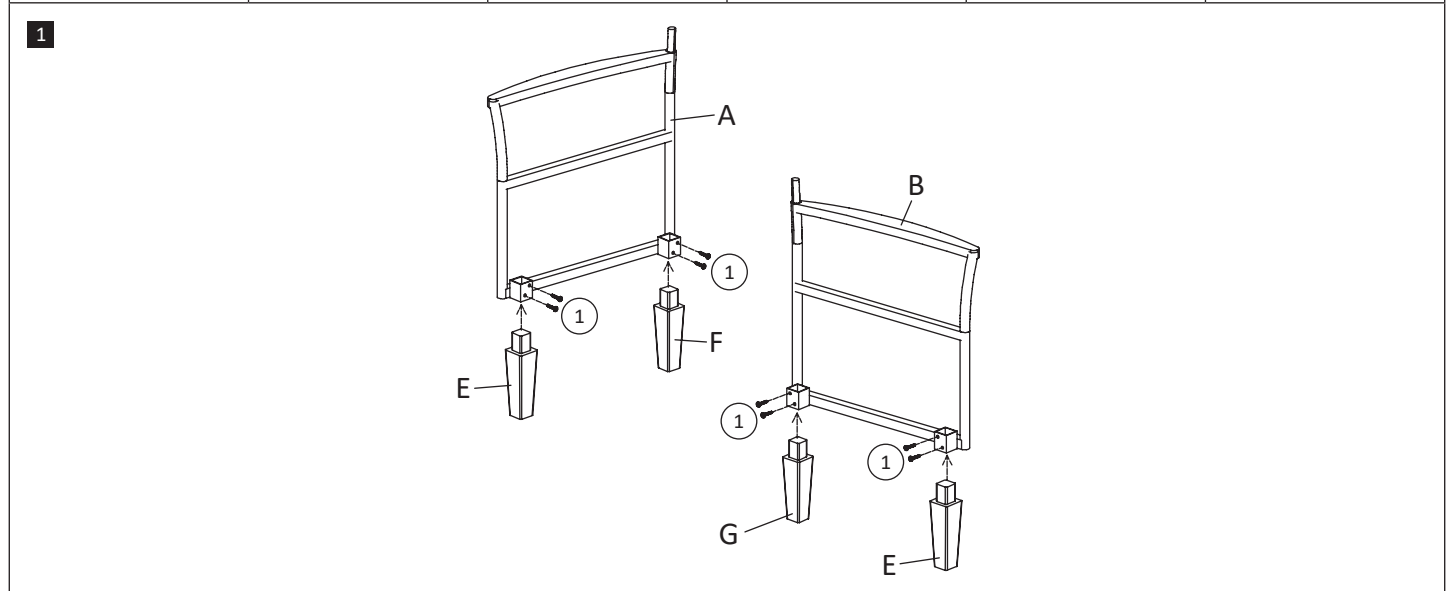
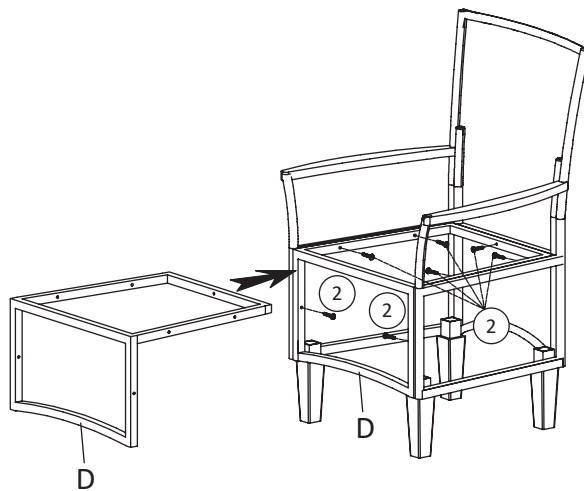


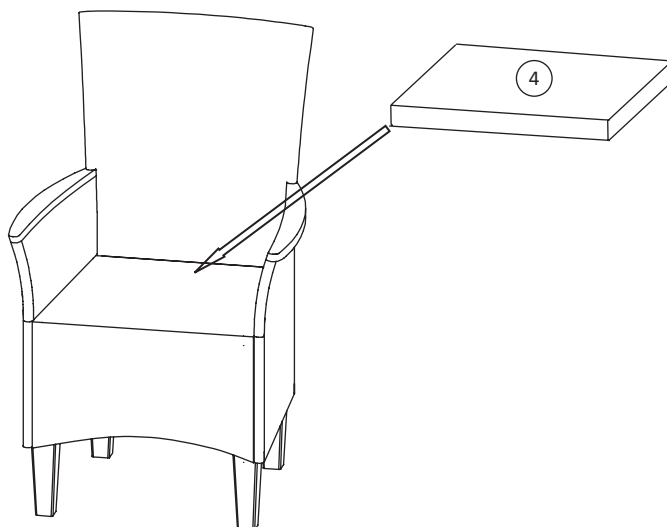
Ax1 	Bx1 	Cx1 	Dx1 	Ex2 	Fx1 
Gx1 	① x8  M6x $\frac{20}{0.8}$	② x9  M6x $\frac{30}{1.2}$	③ x1  M4	④ x1 	$\frac{\text{mm}}{\text{inch}}$ x1



3



4



5

