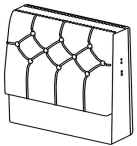
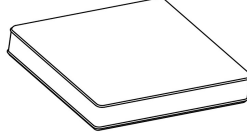
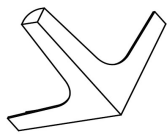
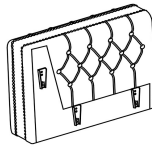
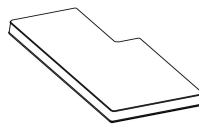
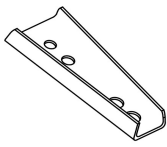
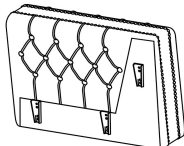
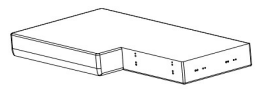
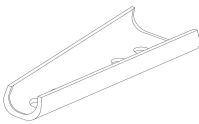
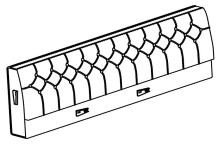


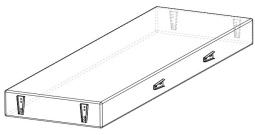
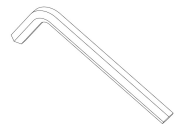


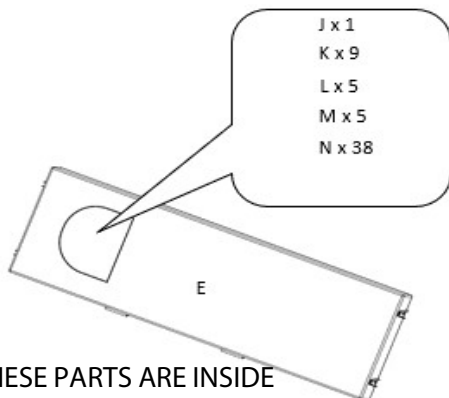
Assembly Instructions

PARTS LIST

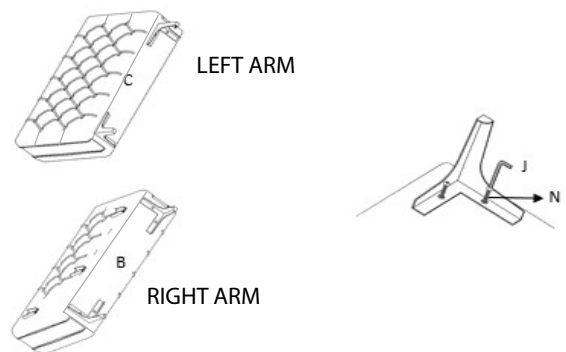
ITEM	PIC	QTY	ITEM	PIC	QTY	ITEM	PIC	QTY
A	 IN THE CARTON 1/4	1	F	 IN THE CARTON 3/4	3	K	 IN THE CARTON 2/4	9
B	 IN THE CARTON 1/4	1	G	 IN THE CARTON 4/4	1	L	 IN THE CARTON 2/4	5
C	 IN THE CARTON 1/4	1	H	 IN THE CARTON 4/4	1	M	 IN THE CARTON 2/4	5
D	 IN THE CARTON 2/4	1	I	 2PCS IN THE CARTON 3/4 2PCS IN THE CARTON 4/4	4	N	 IN THE CARTON 2/4 M6*25mm	38
E	 IN THE CARTON 2/4	1	J	 IN THE CARTON 2/4	1			

ASSEMBLY

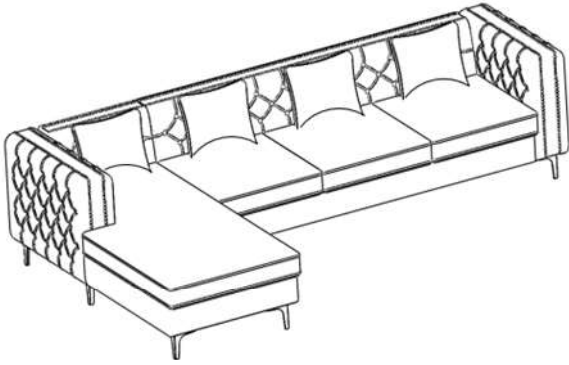
STEP 1



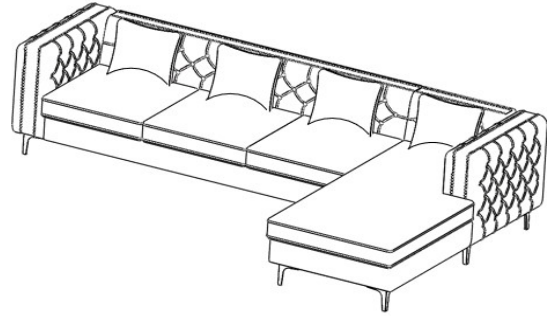
STEP 2



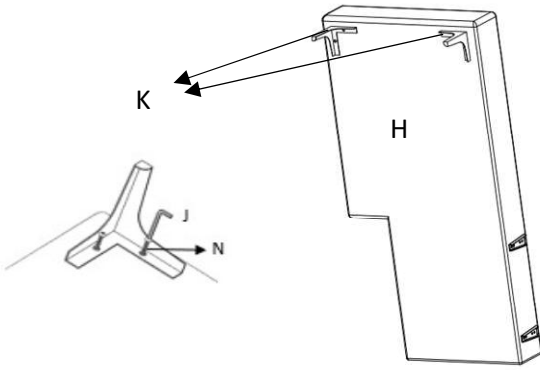
LEFT CHAISE



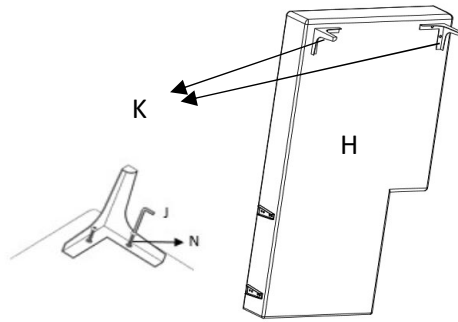
RIGHT CHAISE



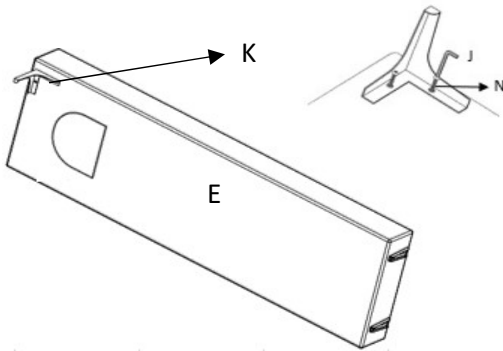
STEP 3



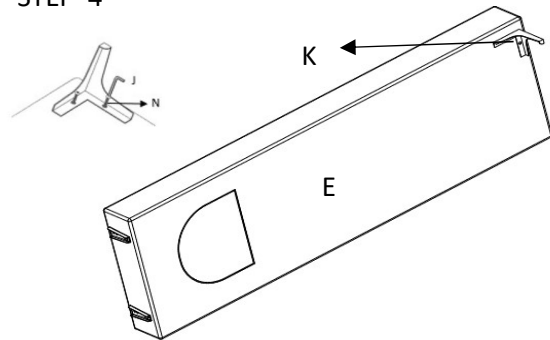
STEP 3



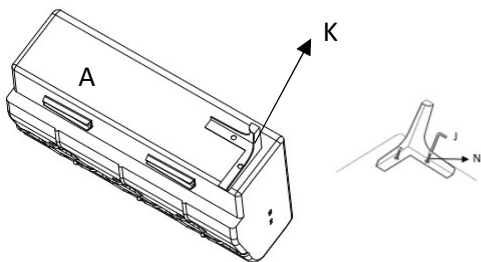
STEP 4



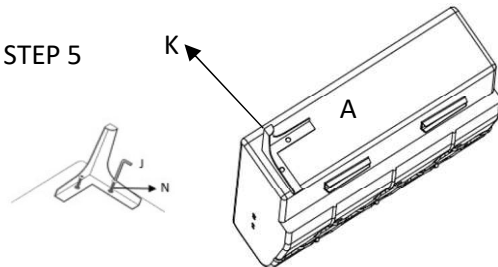
STEP 4



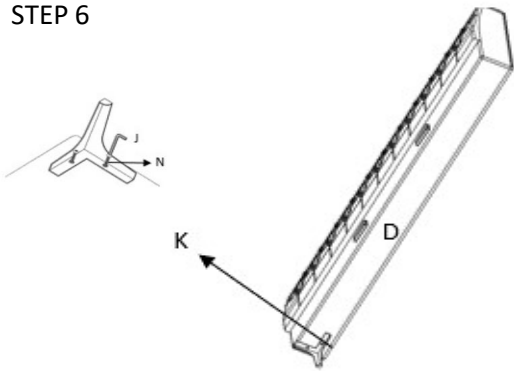
STEP 5



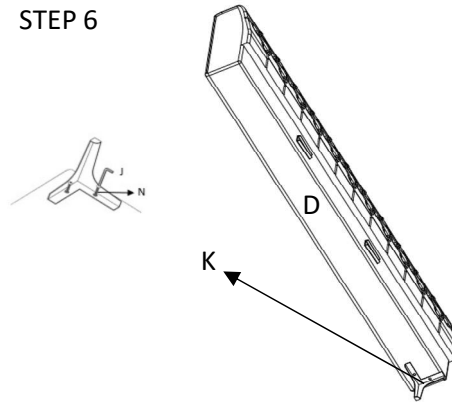
STEP 5



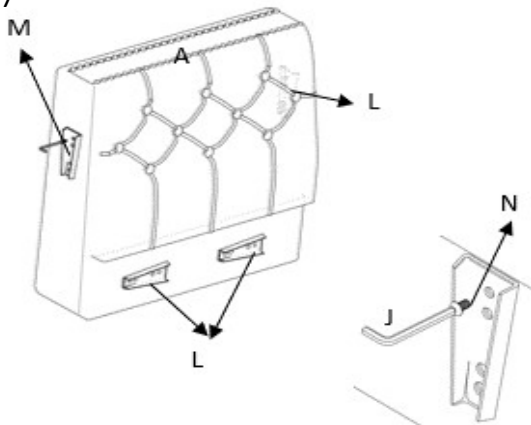
STEP 6



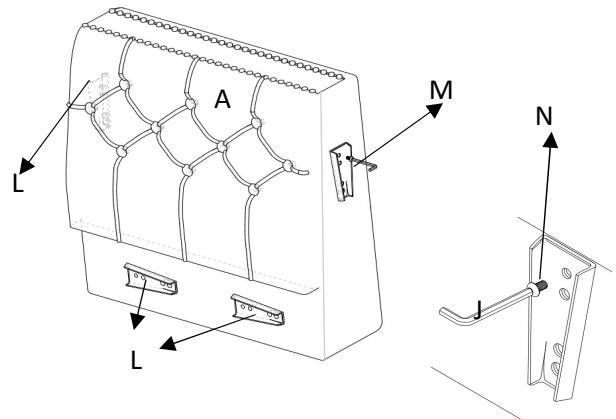
STEP 6



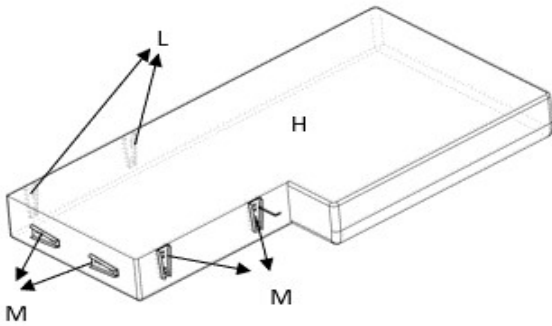
STEP 7



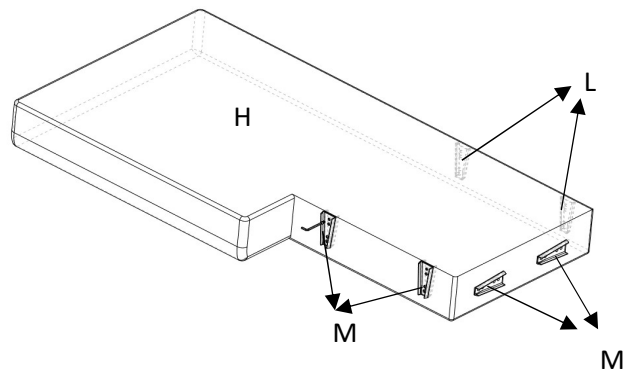
STEP 7



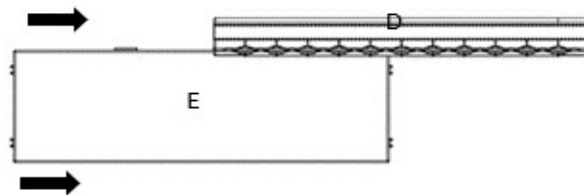
STEP 8



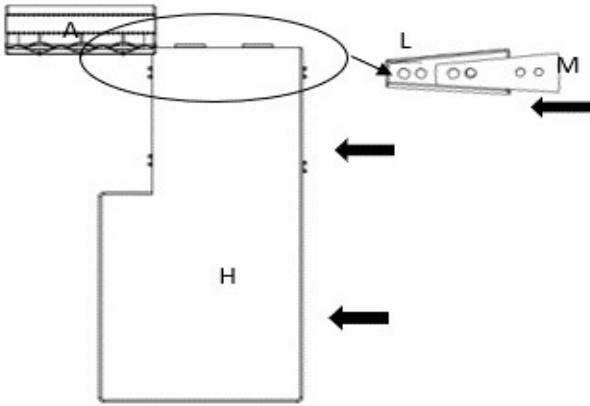
STEP 8



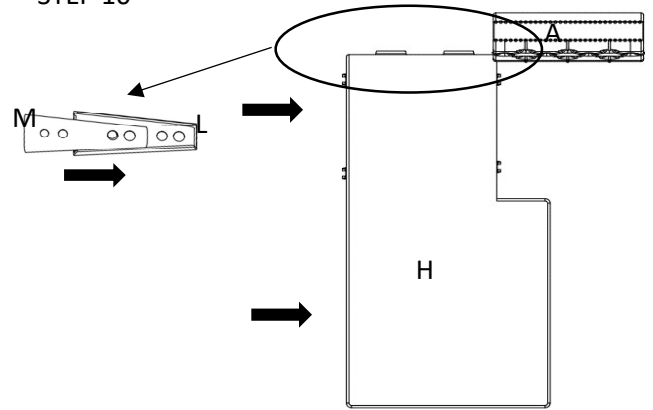
STEP 9



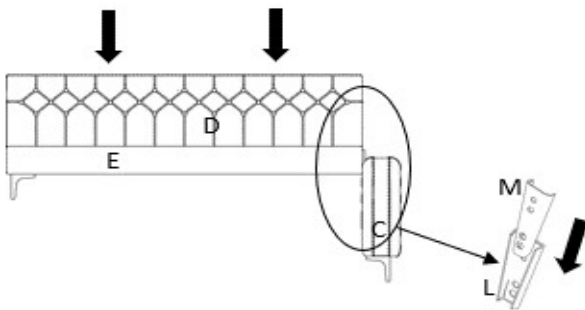
STEP 10



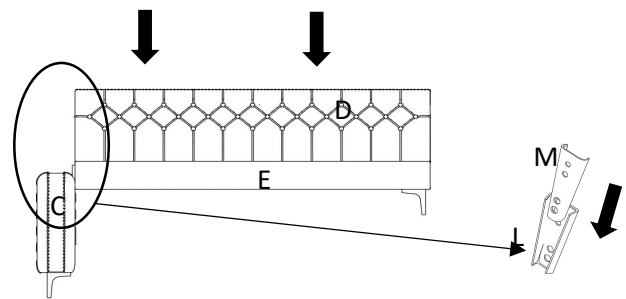
STEP 10



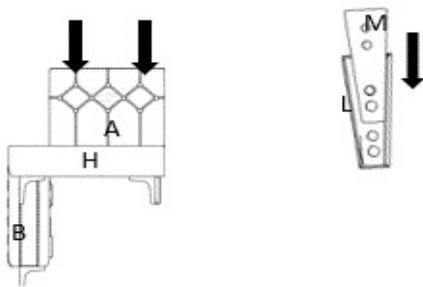
STEP 11



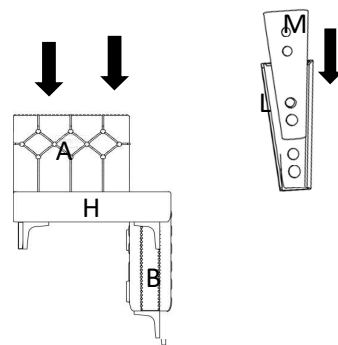
STEP 11



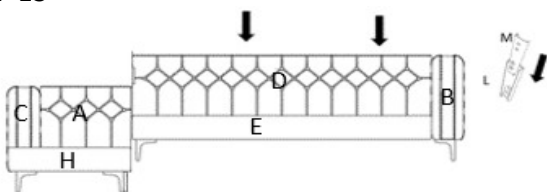
STEP 12



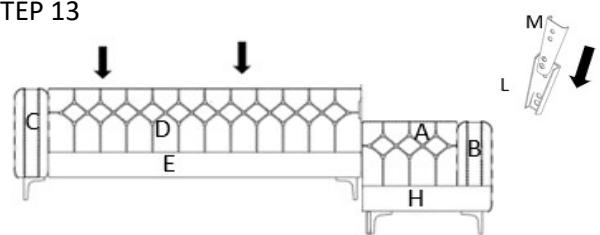
STEP 12



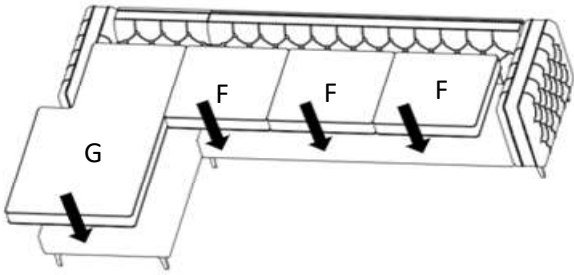
STEP 13



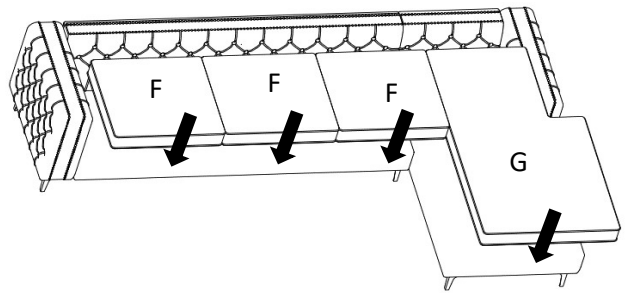
STEP 13



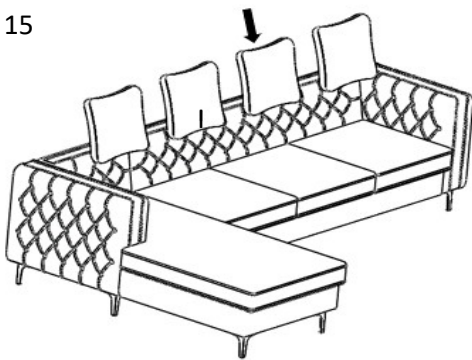
STEP 14



STEP 14



STEP 15



STEP 15

