

# TRESTLE DESK



## ASSEMBLY INSTRUCTIONS

---

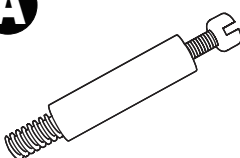

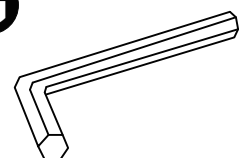



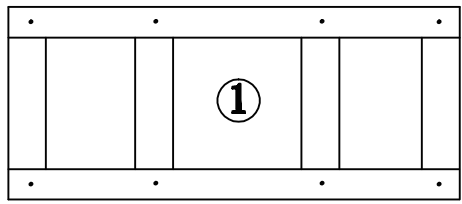
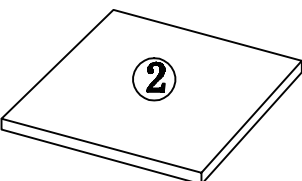
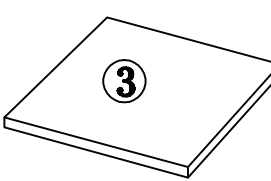
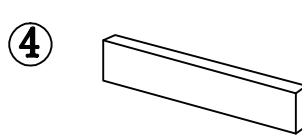
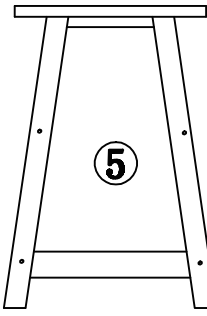
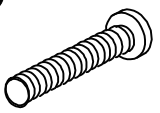
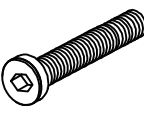

We have designed our furniture with you , the customer in mind . Our clear , easy to follow , step by step instructions will guide you through the project from start to finish . Feel confident that this will be a fun and rewarding project . The final product will be a quality piece of furniture that will go together smoothly and give years of enjoyment .

---

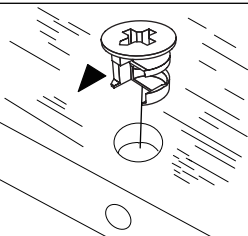
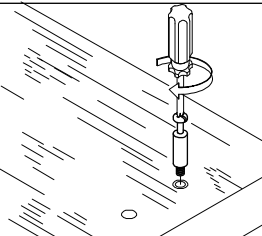
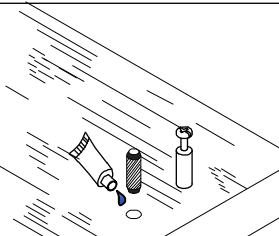
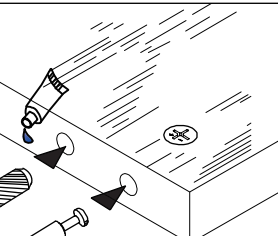
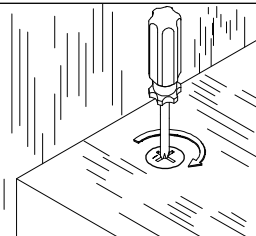


Please do not return to the store  
Broken or missing parts?  
Need help with assembly?

**Hardware List**

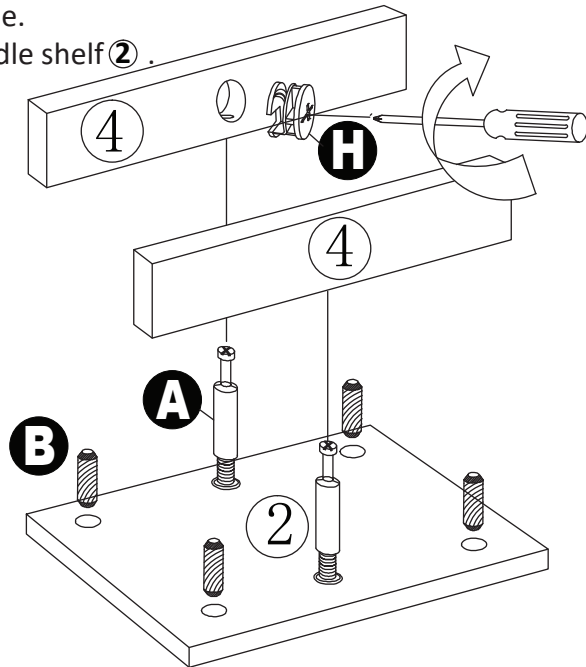
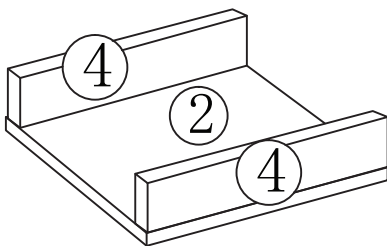
<p><b>A</b></p> 	<p><b>F</b></p> 	<p><b>G</b></p> 	<p><b>H</b></p> 	<p><b>I</b></p> 
<p>Cambolt (8pcs)</p>	<p>Hole sticker (16pcs)</p>	<p>Allen wrench (1pc)</p>	<p>Camlock (8pcs)</p>	<p>Lock nut (16pcs)</p>
<p><b>B</b></p> 	<p style="text-align: center;"><b>Part List</b></p>  <p style="text-align: right;">Desktop (1pc)</p>  <p style="text-align: center;">Middle Shelf (2pcs)</p>  <p style="text-align: center;">Bottom Shelf (2pcs)</p>  <p style="text-align: center;">Shelf Supports (8pcs)</p>  <p style="text-align: center;">Frame (4pcs)</p>			
<p>Wood dowel (16pcs)</p>				
<p><b>C</b></p> 				
<p>Long Screw (16pcs)</p>				
<p><b>D</b></p> 				
<p>Screw (8pcs)</p>				
<p><b>E</b></p> 				
<p>Glue (1pc)</p>				

**Assembling the unit with camlocks and wood dowels.**

				
<p>Insert camlock, camlock arrow must face bolt hole</p>	<p>Gently screw cam dowel into the threaded anchor</p>	<p>Lightly glue one end of wood dowel and tap into hole.</p>	<p>Lightly glue dowel and connect to second panel by inserting dowels into holes</p>	<p>Gently screw the cam clockwise into locked position. Do not overtighten.</p>

### Step1

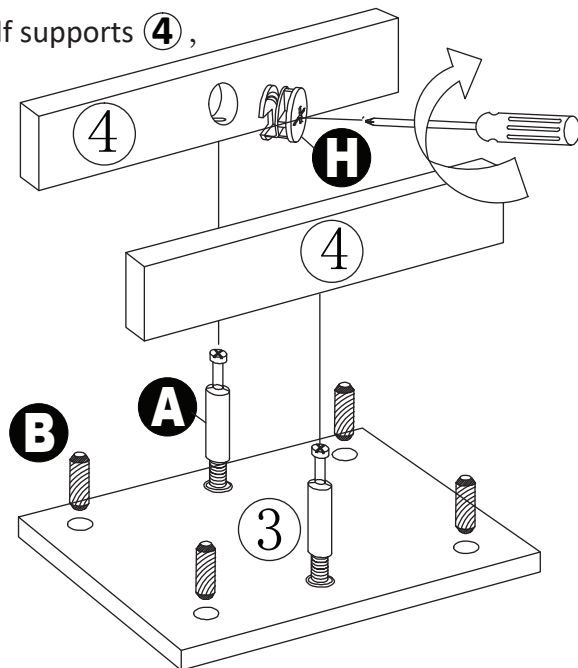
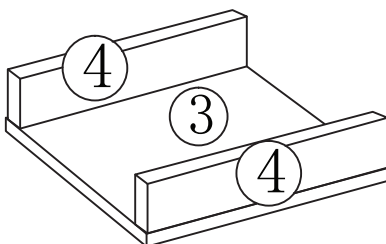
1. Insert wooden dowels (B) and screw cambolts (A) into middle shelf ② .
2. Insert camlocks(H) into holes in shelf supports ④ .  
Camlock arrow must face bolt hole.
3. Connect shelf supports ④ to middle shelf ② .
4. Gently tighten camlocks.
5. Repeat for second Middle Shelf.



\*Refer to page 2 for dowel assembly.\*

### Step2

1. Insert wooden dowels (B) and screw cambolts (A) into bottom shelf ③ .
2. Insert camlocks(H) into holes in shelf supports ④ ,  
Camlock arrow must face bolt hole.
3. Connect shelf supports ④ to bottom shelf ③ .
4. Gently tighten camlocks.
5. Repeat for second Bottom Shelf.



### Step3

1. Insert nuts (I) into middle shelf (2) and bottom shelf (3).  
Make sure Nut hole faces to bolt hole.  
(as seen in Diagram #1)
2. Carefully connect frames (5) to shelves (2) and (3).  
(Long screw (C) goes through the frame . Line up holes and insert screws.)
3. Tighten long screws (C).
4. Repeat for second leg assembly.

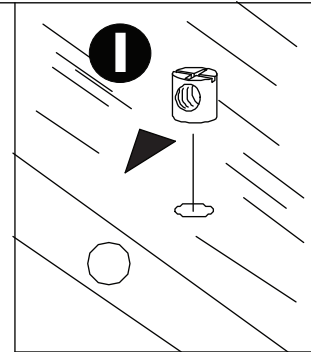
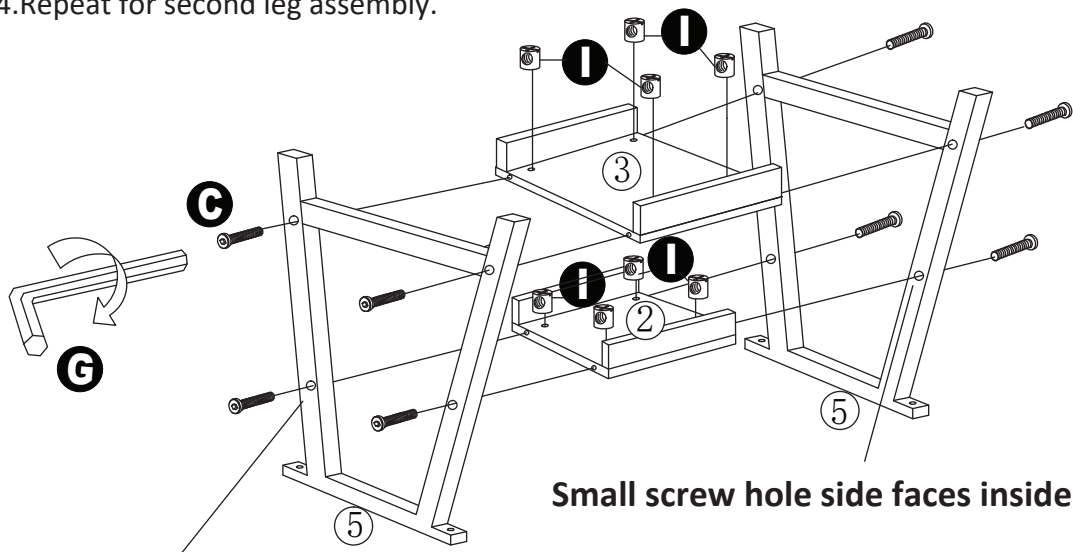


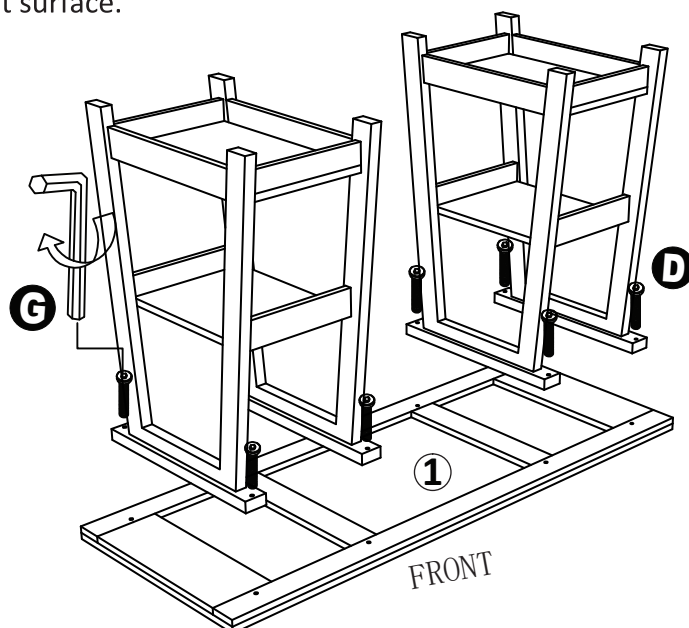
Diagram #1



Large screw hole side faces outside

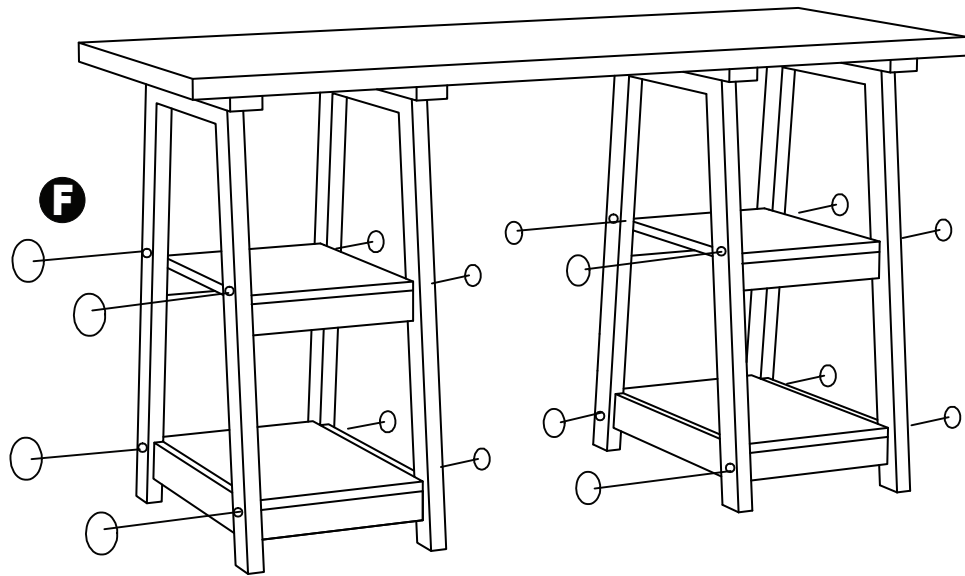
### Step4

1. Place desktop on carpet or soft surface.
2. Connect the assembly to desktop (1) with Screws (D) and allen wrench (G).
3. Tighten screws (D).



## **Step5**

1. Carefully turn the desk right side up.
2. Place hole stickers (F) over screw holes.



**Enjoy.**

