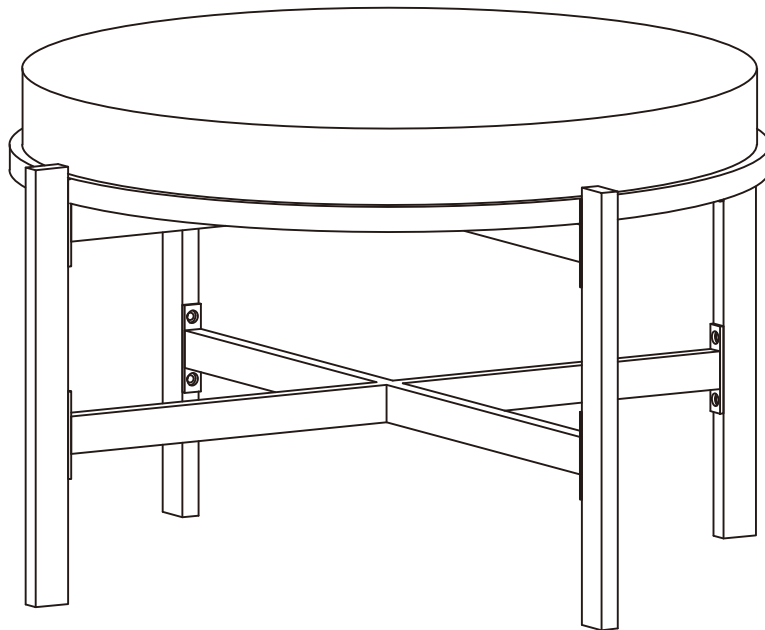


# Assembly Instruction

---

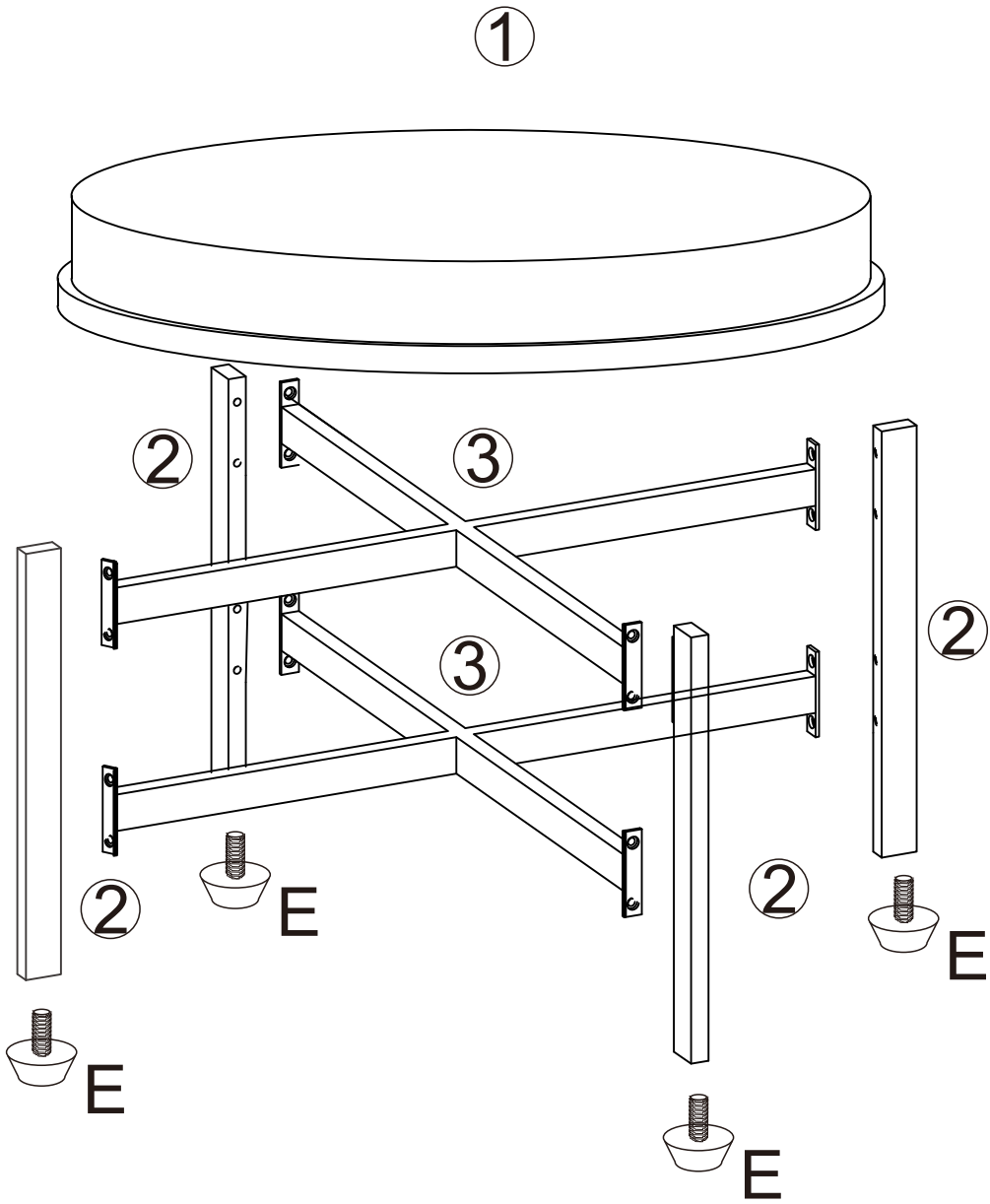


---


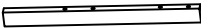

## ASSEMBLY TIPS:

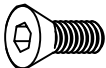
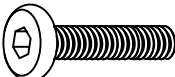



1. Remove hardware from box and sort by size.
2. Please check to see that all hardware and parts are present prior to start of assembly.
3. Please follow attached instructions in the same sequence as numbered to assure fast & easy assembly.

# Parts List

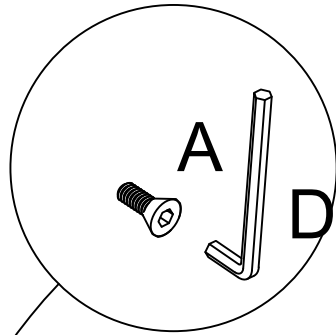
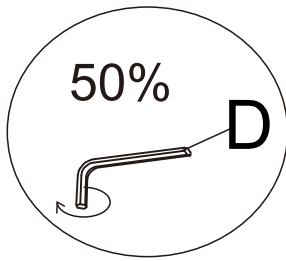




# Parts List

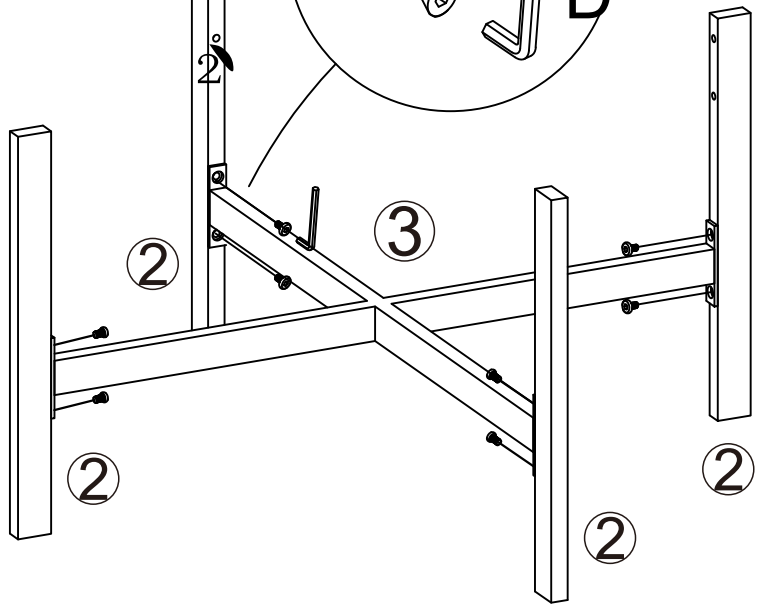
Number	Name	Part	Qty
1	Cushion		x1PC
2	Leg		x4PCS
3	Footrest		x2PCS

Number	Hardware	Part	Qty
A	M6x20mm		16+1PCS
B	M6x45mm		4+1PCS
C	M6x16mm		4+1PCS
D	M5		x1PC
E	Adjustable feet		4+1PCS

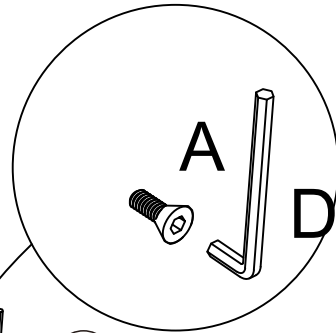
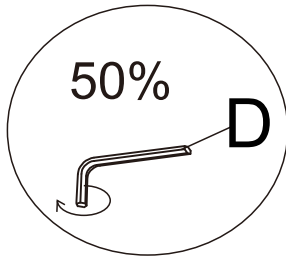
# 1





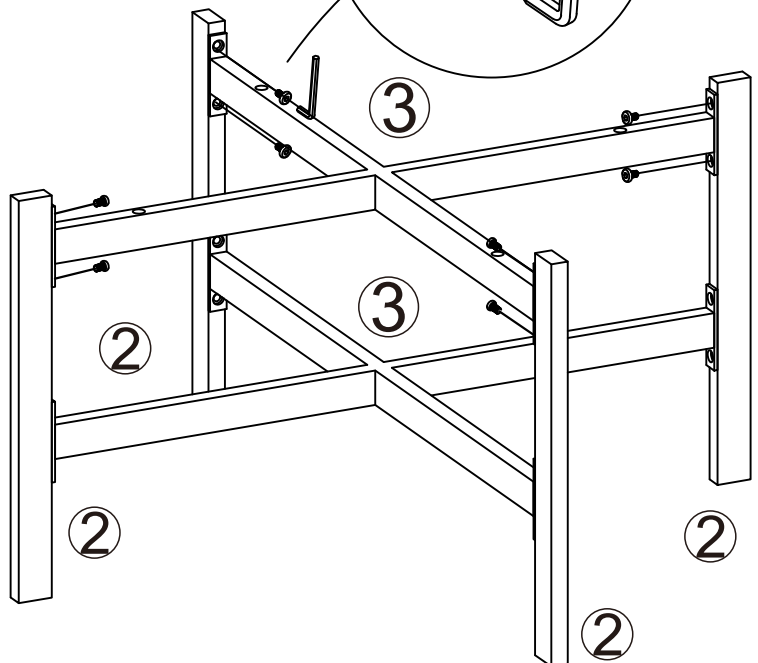
A	M6x20mm 	8PCS
D	M5 	1PC



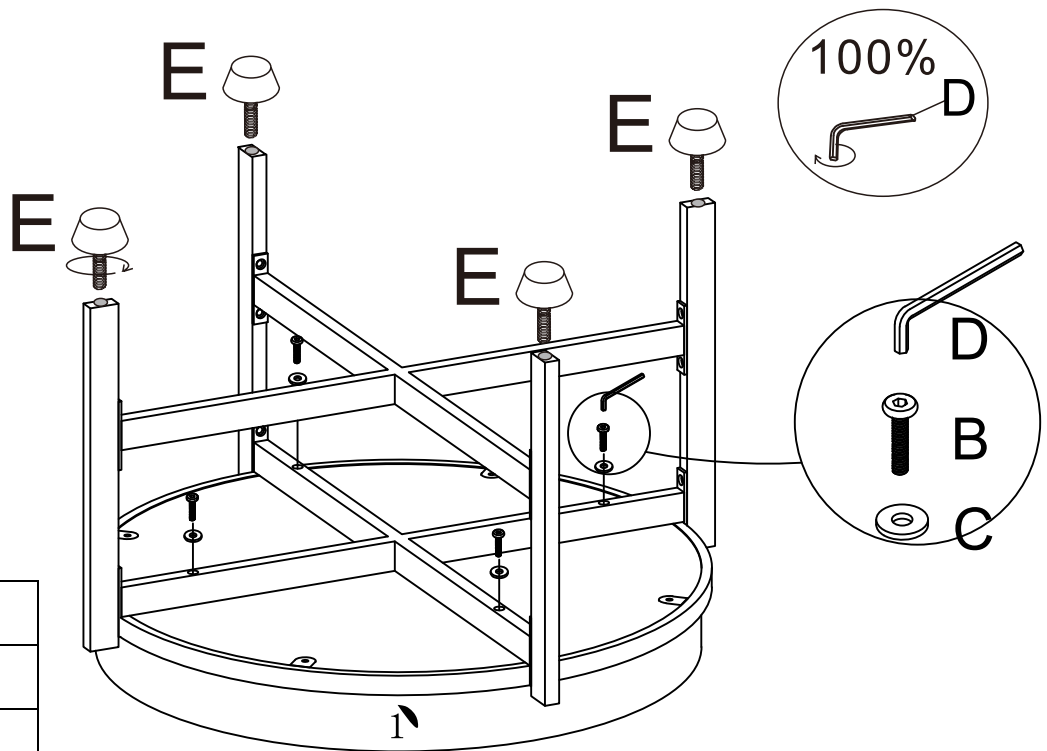
# 2



A	M6x20mm 	8PCS
D	M5 	1PC



3



4

