

NOTICE

*Please make sure that you have all part indicated and they are in good condition before you begin assembly of this item. Refer to part list and hardware list below for guidance.

*This item should be assembled on a soft surface to prevent scratching the finish during assembly.

*This item may require periodic tightening.

*If you are having difficulty, our friendly Customer Care team is always here to help. Please email customersupport@safavieh.com

PREPARATION

*Before beginning assembly of product, make sure all part are present. Compare part with part contents list and hardware contents list.

*If any part is missing or damaged, do not attempt to assemble the product.

*Estimated Assembly Time: 60 minutes.

*Tools Required for Assembly (included): Allen Key

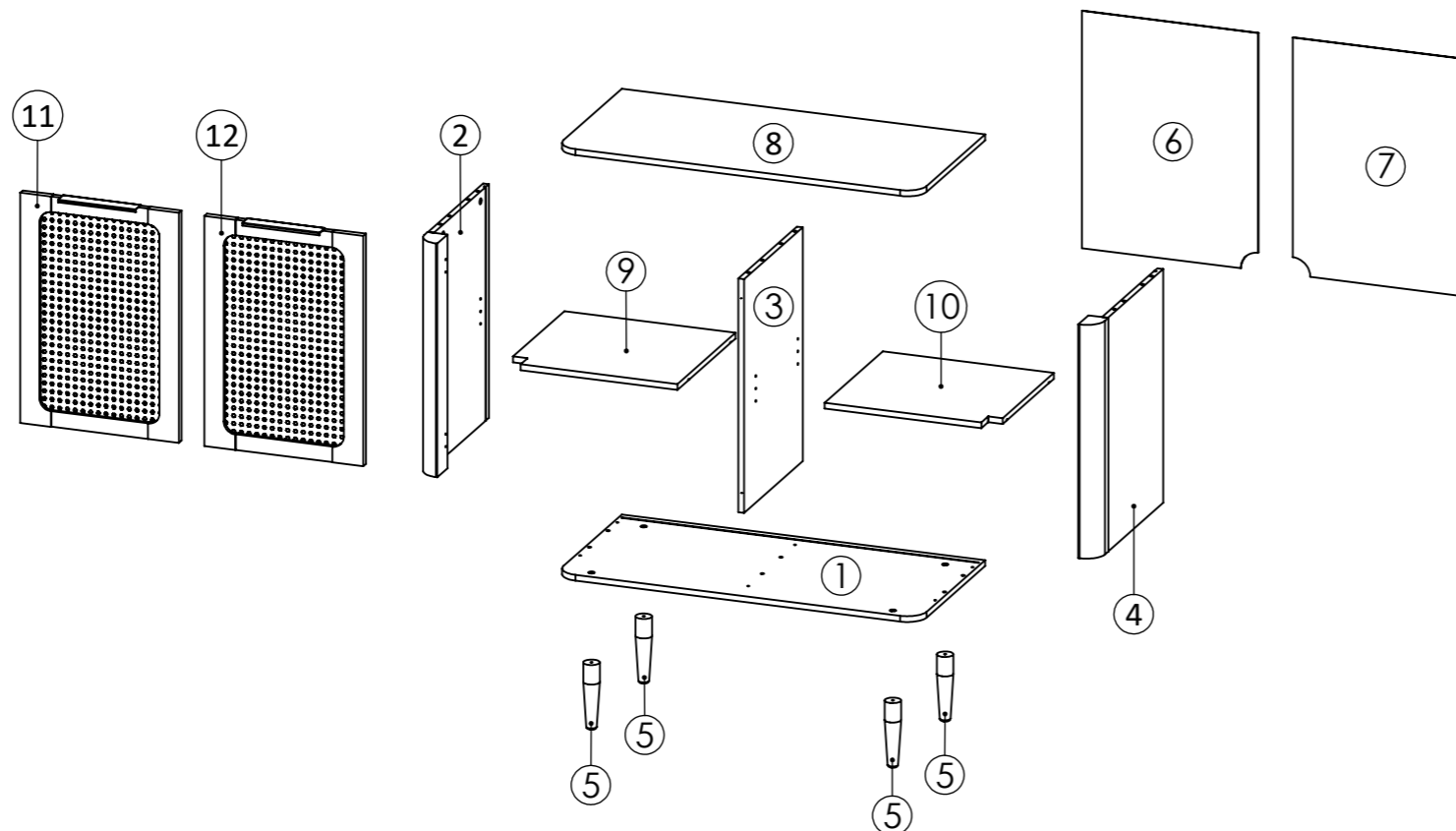
CARE AND MAINTENANCE

Adhesive felt pads should always be applied to areas of furniture which make direct contact with flooring, said application will prevent damage to the furniture and or surfaces on which the furniture lies.

Objects placed on articles of furniture should rest on non abrasive material as to prevent damage to the wood finish. Objects whose composition consists of plastic and rubber are known to discolor and damage the wood surfaces on which they rest. Wipe up spills immediately and avoid common hazards such as hot dishes, harsh solvents and abrasives. Cleaning should be done with a soft lint free cotton cloth dampened with water or furniture polish. On highly used surfaces we recommend applying a quality paste wax which should be used on a regular basis to provide additional protection from scratches and spills.

How often you apply the wax depends on how much wear the furniture receives

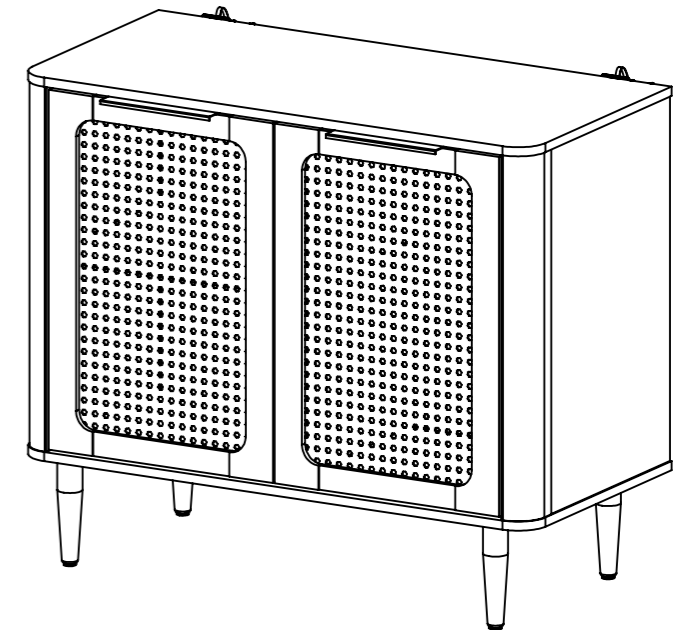
Part List



 **SAFAVIEH**
FURNITURE

Model# MED3107

Product Dimensions: W 37" X D 17.72 X H 31.61"



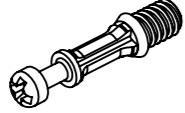
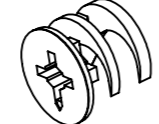
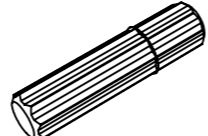

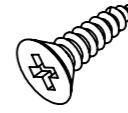
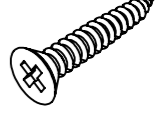
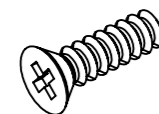
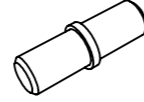
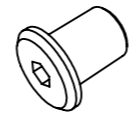
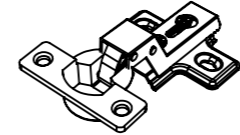
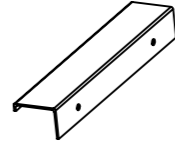

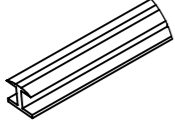



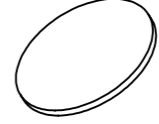
WARNING

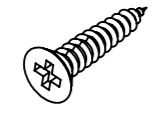
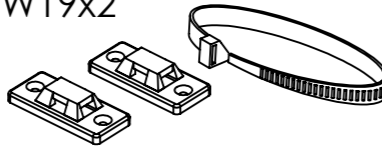


This product is intended for use with a
FLAT SCREEN TV ONLY
Maximum Screen Size: 43 inches
Top Weight Limit: 45 lbs
Shelf Load Limit: 19 lbs
Use with heavier televisions may result in
instability causing tip over resulting in death
or Serious injury.

WARNING

Death or serious injury may occur
when children climb on audio and/or video
equipment furniture.
A remote control or toys placed on
the furnishing may encourage a child to climb on
the furnishing and
as a result the furnishing may tip
over on to the child

Hardware List

HW1x6 Ø 6X32 MM 	HW2x6 Ø 15X12 MM 	HW3x12 Ø 8X32 MM 	HW4x6 Ø 6X50 MM 	HW5x4 Ø 6X12 MM 	HW6x14 Ø 4X19 MM 
HW7x16 Ø 5X12 MM 	HW8x8 Metal Pin 	HW9x4 Nut Cap 	HW10x4 Full Curve 	HW11x2 Handle 	HW12x14 Plastic Stopper 
HW13x1 List "H" 	HW14x1 Allen Key 	HW15x10 Cover Cap 	HW16x2 Bumpers 	HW17x4 Foot Pads 	

Anti-Tip Restrain Pack	
HW18x4 Ø 6X15 MM 	HW19x2 
HW20x4 Ø 8X35 PLUG 	HW21x4 Ø 10X50 MM 

Part List & HW

Piece	Description	Qty	Carton Call
1	Bottom Panel	1	1 of 1
2	Side Panel -Left	1	1 of 1
3	Center Panel	1	1 of 1
4	Side Panel -Right	1	1 of 1
5	Legs	4	1 of 1
6	Back Panel-Left	1	1 of 1
7	Back Panel-Right	1	1 of 1
8	Top Panel	1	1 of 1
9	Adjustable Shelf -Left	1	1 of 1
10	Adjustable Shelf -Right	1	1 of 1
11	Door Panel -Left	1	1 of 1
12	Door Panel -Right	1	1 of 1

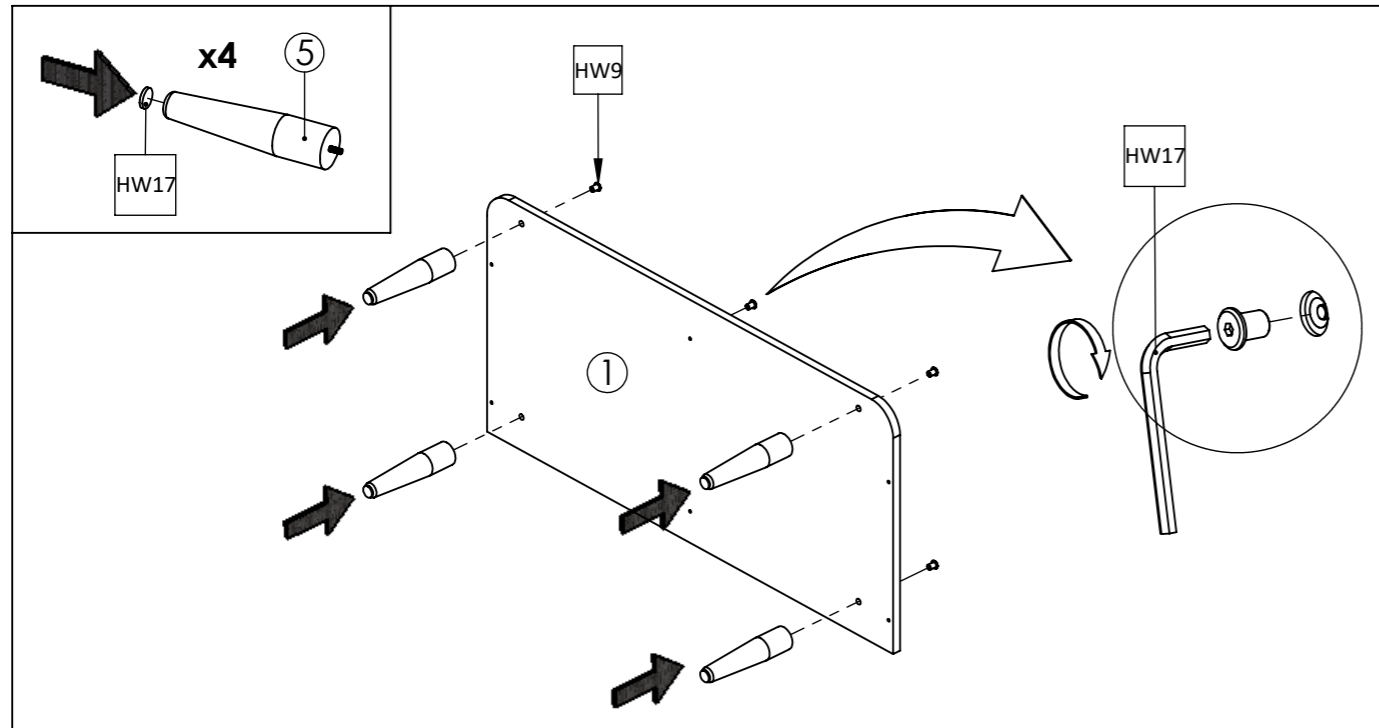
Piece	Description	Qty	Carton Call
HW1	Cambolt	6	1 of 1
HW2	Camlock	6	1 of 1
HW3	Wooden Dowel	12	1 of 1
HW4	Screw M6 x 50 mm	6	1 of 1
HW5	Screw M6 x 12 mm	4	1 of 1
HW6	Screw M4 x 19 mm	14	1 of 1
HW7	Screw M5 x 12 mm	16	1 of 1
HW8	Metal Pin	8	1 of 1
HW9	Nut Cap	4	1 of 1
HW10	Full Curve Hinge	4	1 of 1
HW11	Handle	2	1 of 1
HW12	Plastic Stopper	14	1 of 1
HW13	List "H"	1	1 of 1
HW14	Allen Key	1	1 of 1
HW15	Cover Cap Sticker	10	1 of 1
HW16	Bumpers	2	1 of 1
HW17	Foot Pads	4	1 of 1
HW18	Screw M6 x 15 mm	4	1 of 1
HW19	Anti-Tip	2	1 of 1
HW20	Ø8 x 35 mm PLUG	4	1 of 1
HW21	Screw M10 x 50 mm	4	1 of 1

PREPARATION

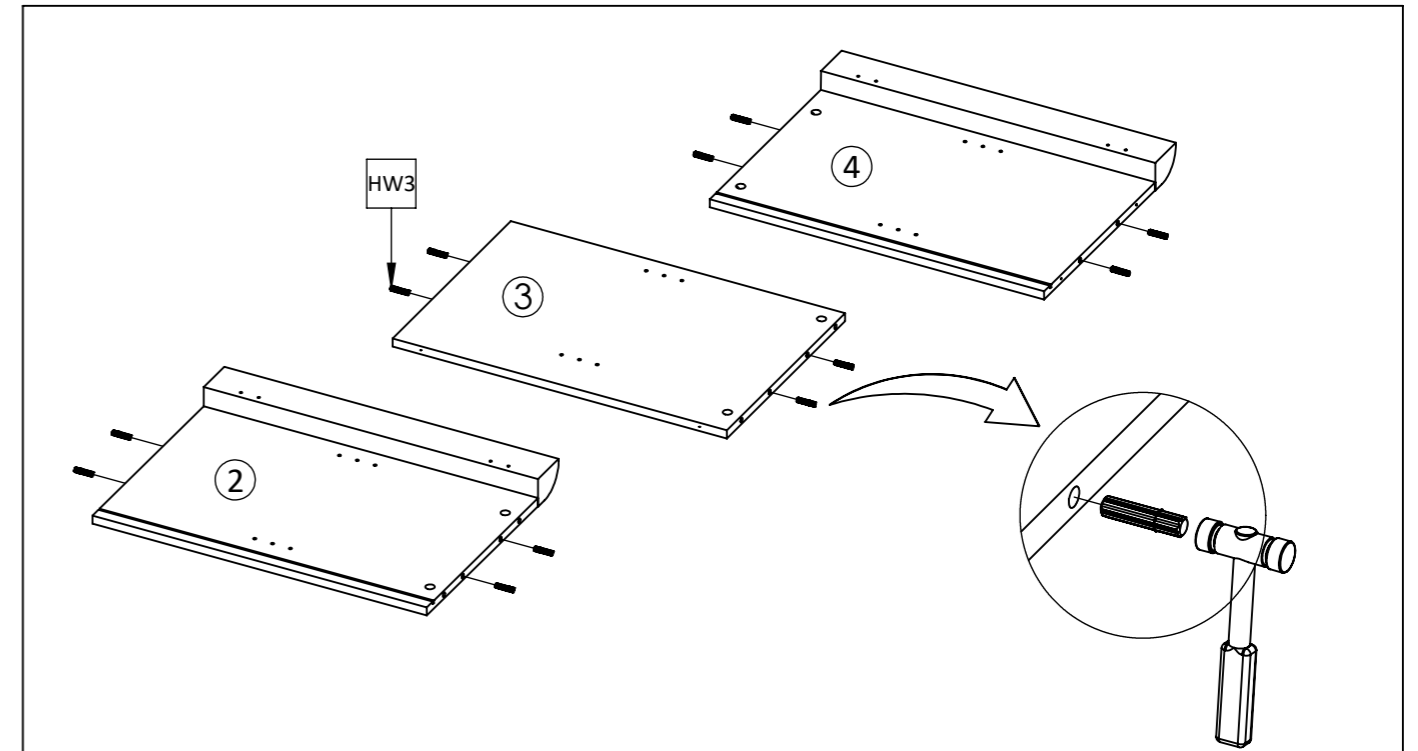
Before beginning assembly of product, make sure all part are present. Compare part with part contents list and hardware contents list.

If any part is missing or damaged, do not attempt to assemble the product.

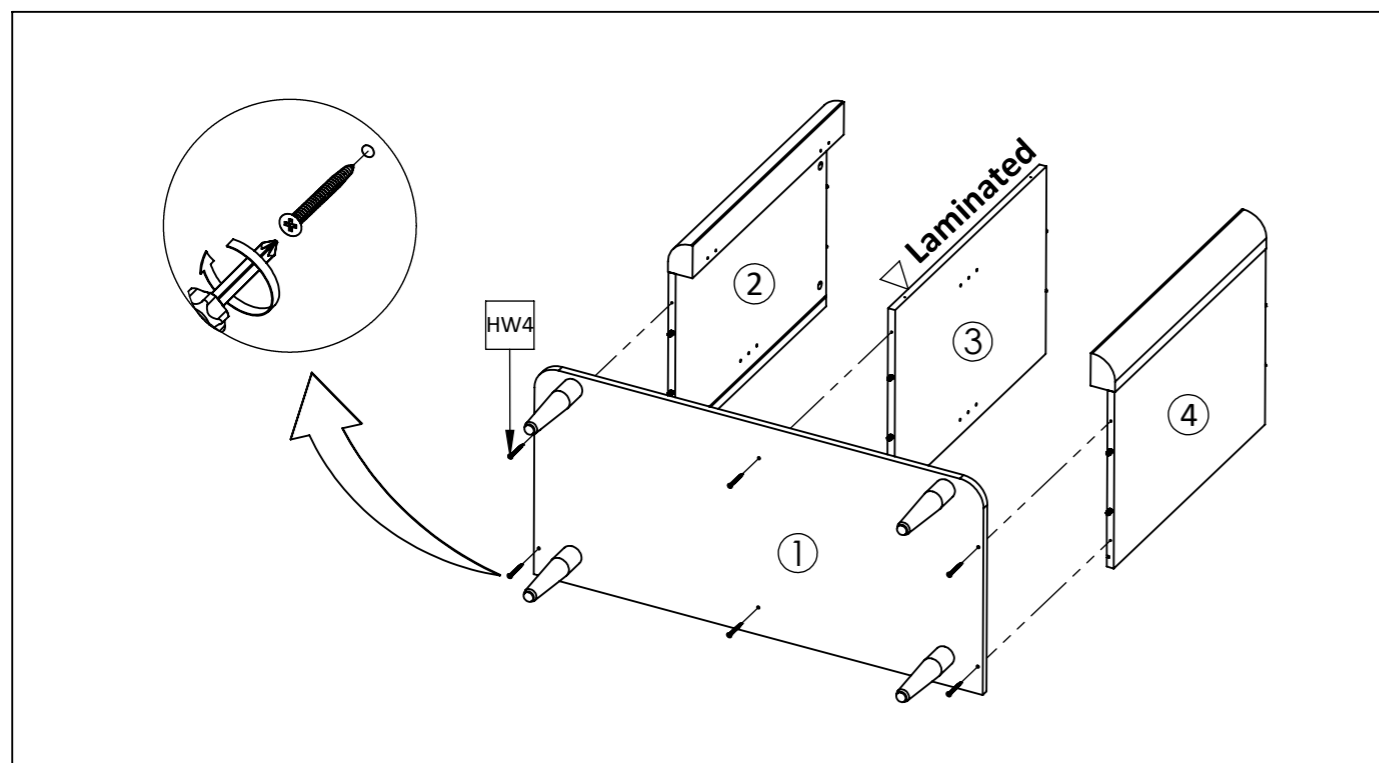
Estimated Assembly Time: 60 minutes.



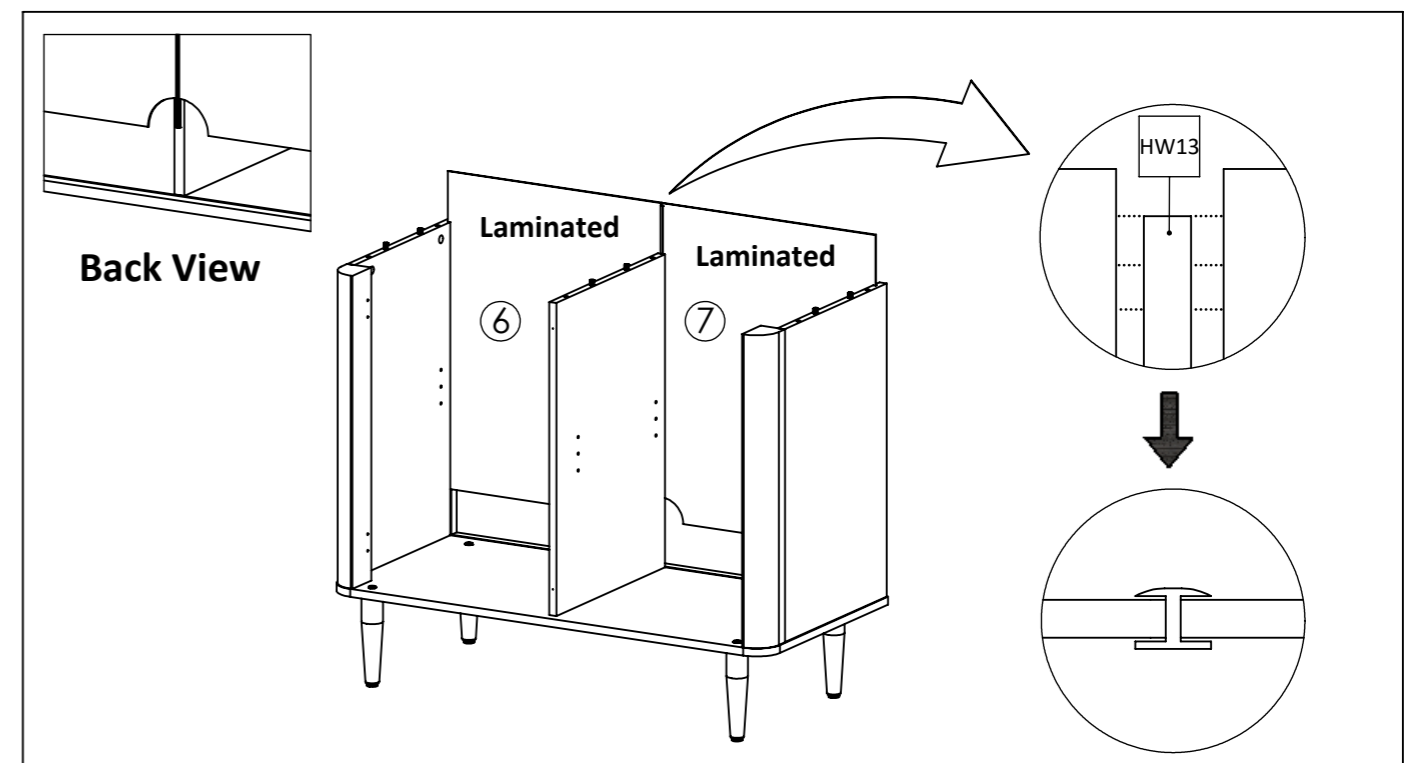
STEP1: Attach Foot Pads (HW17) into Legs (5), Continue attach Legs (5) into Bottom Panel (1) Secure with Nut Cap (HW9) and tighten it using Allen Key (HW14)



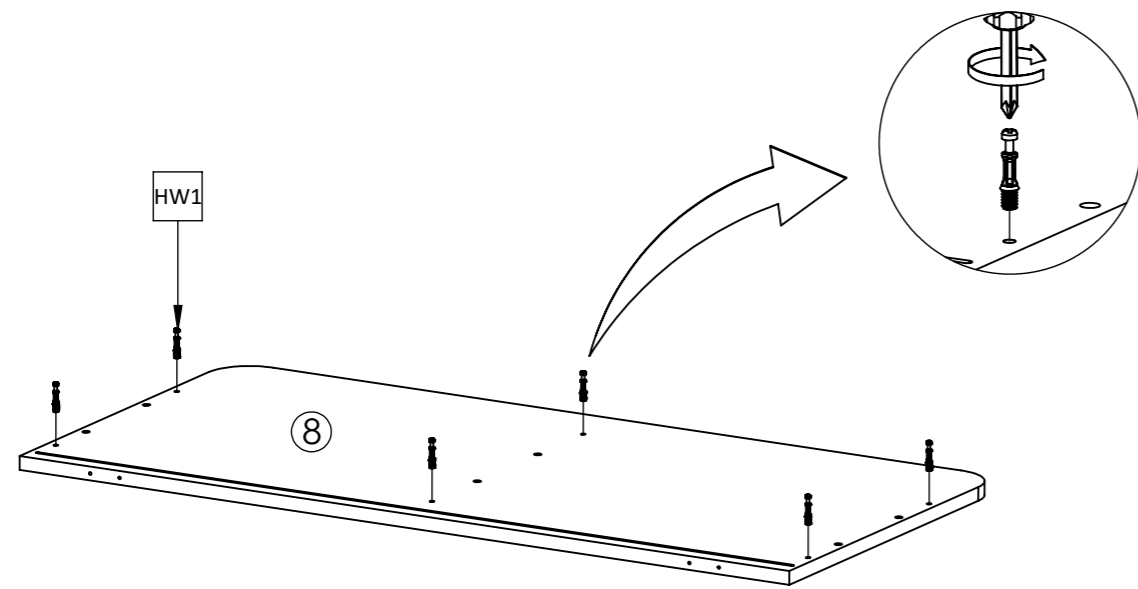
STEP2: Insert Wooden Dowel (HW3) Into Side Panel Left-Right (2 & 4) and Center Panel (3).



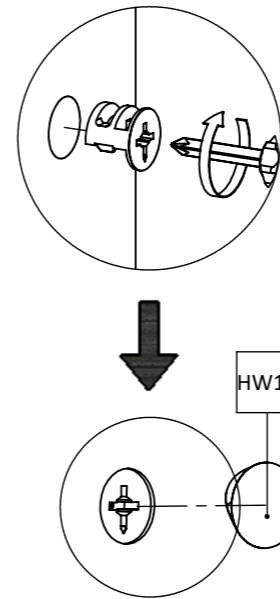
STEP3: Attach Side Panel Left-Right (2 & 4), Center Panel (3) Into Bottom Panel (1), Secure with Screw M6 x 50 mm (HW4) and tighten it using screwdriver.



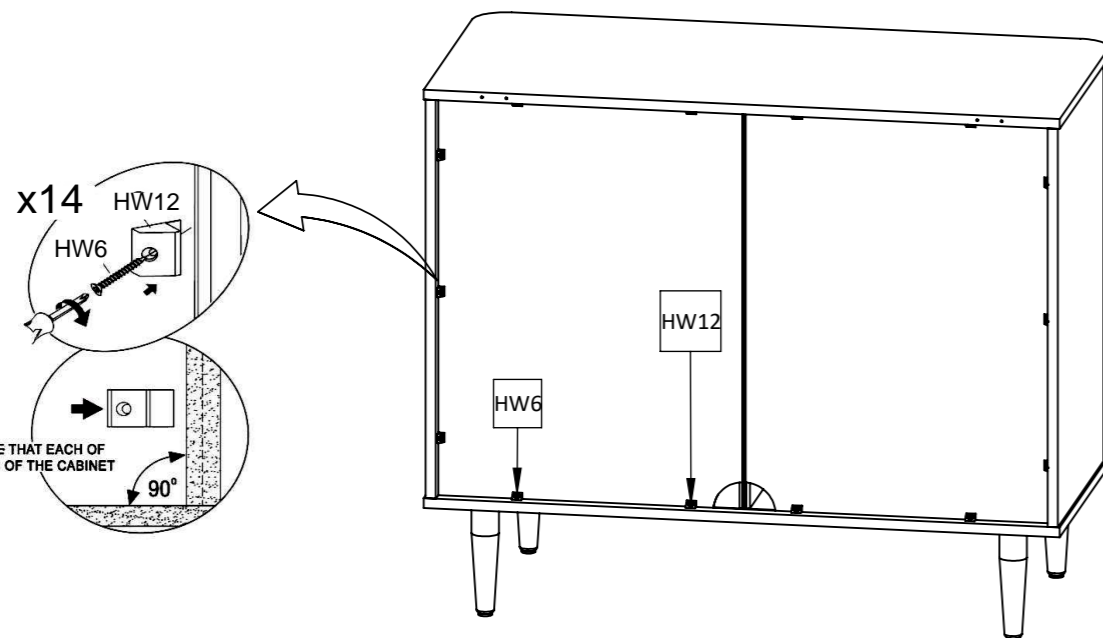
STEP4: Insert Back Panel Left-Right (6 & 7) and List "H" (HW13)



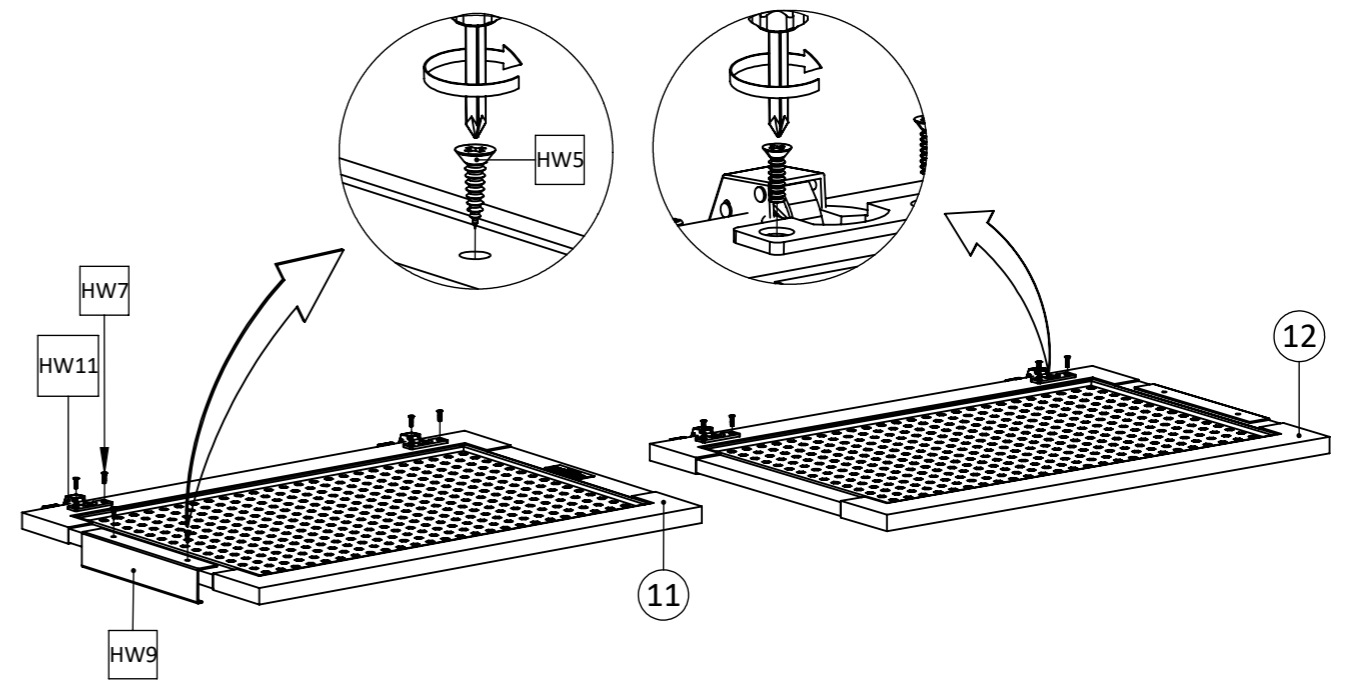
STEP5: Insert Cambolt (HW1) into Top Panel (8) and tighten it using Screwdriver.



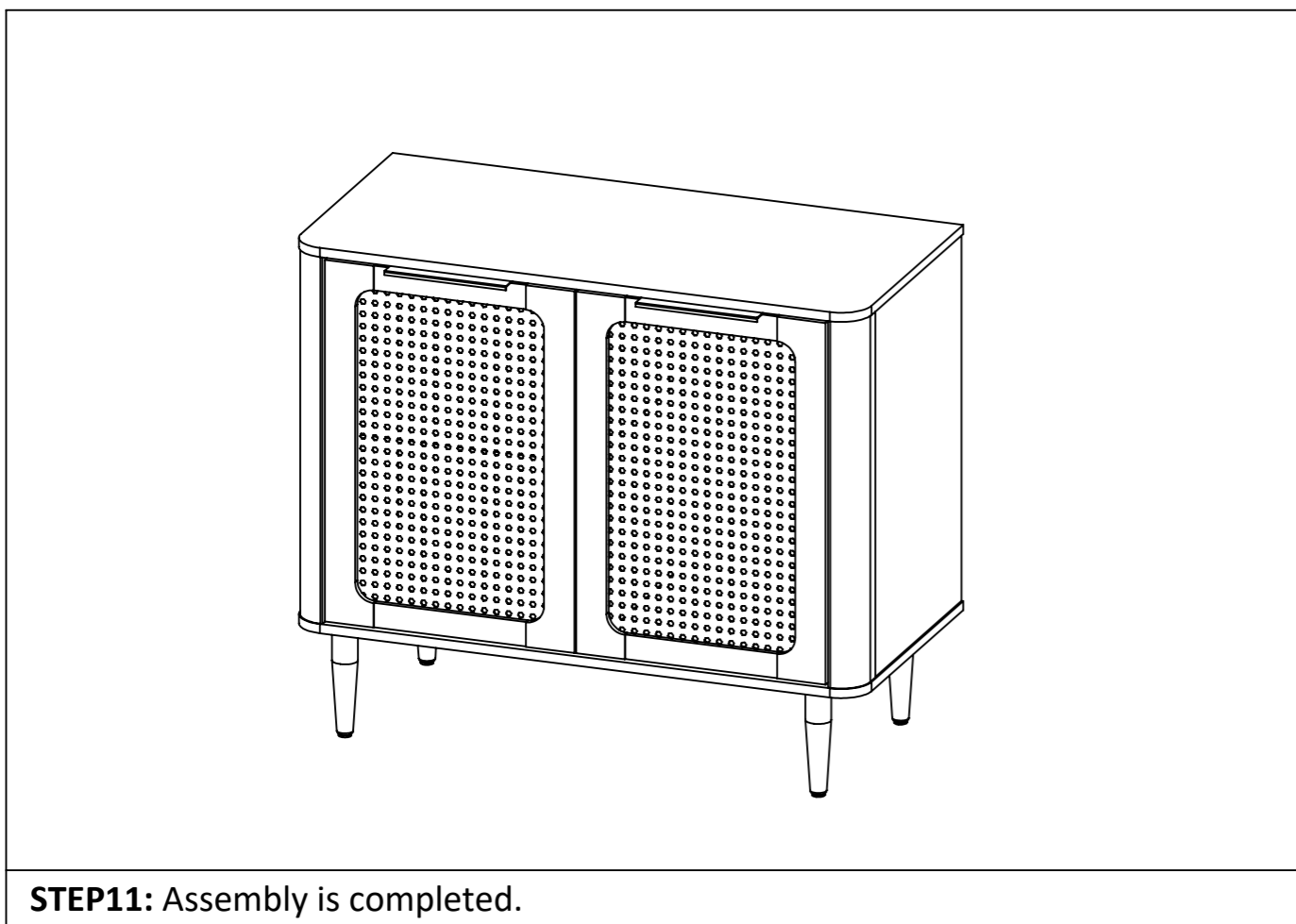
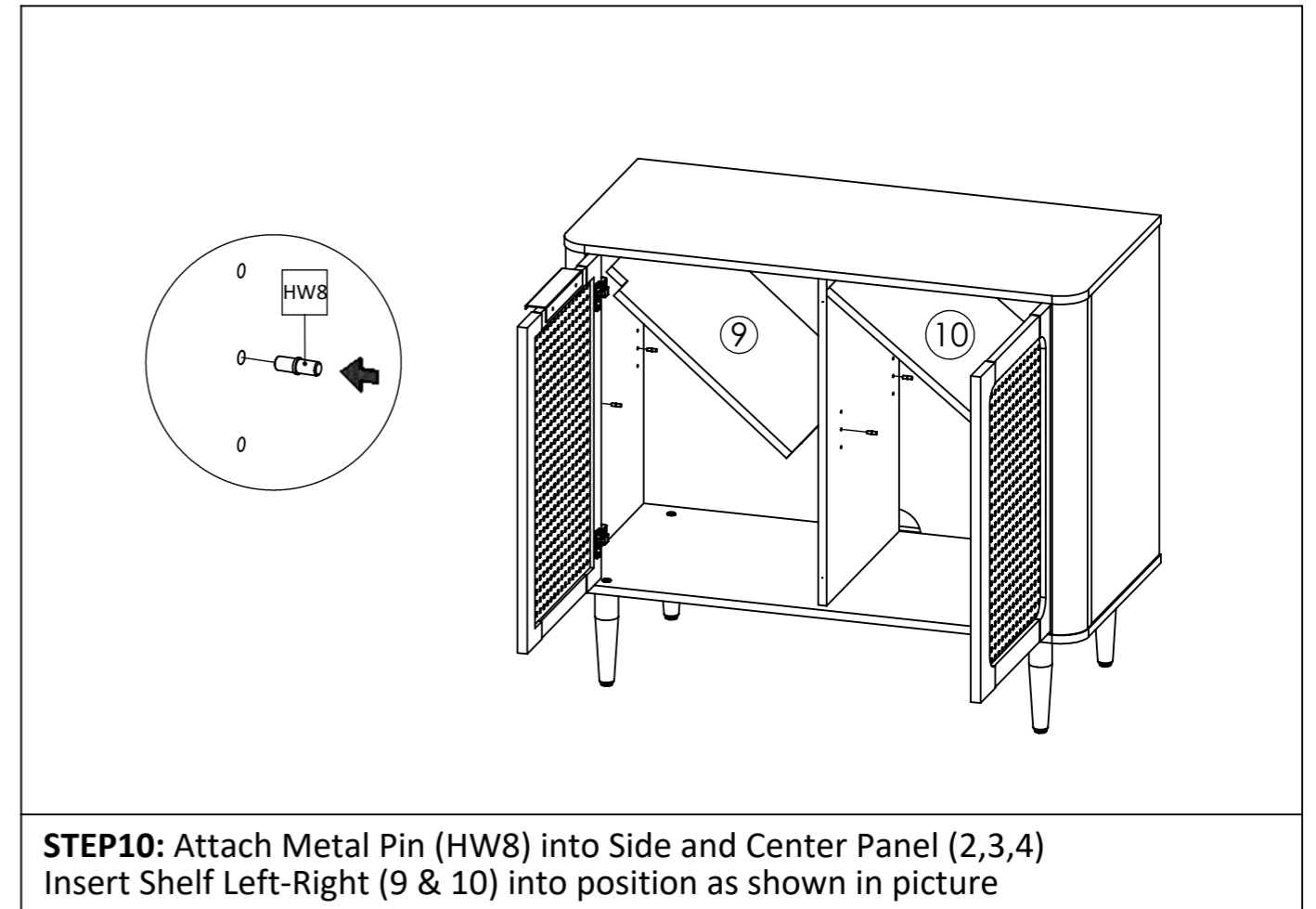
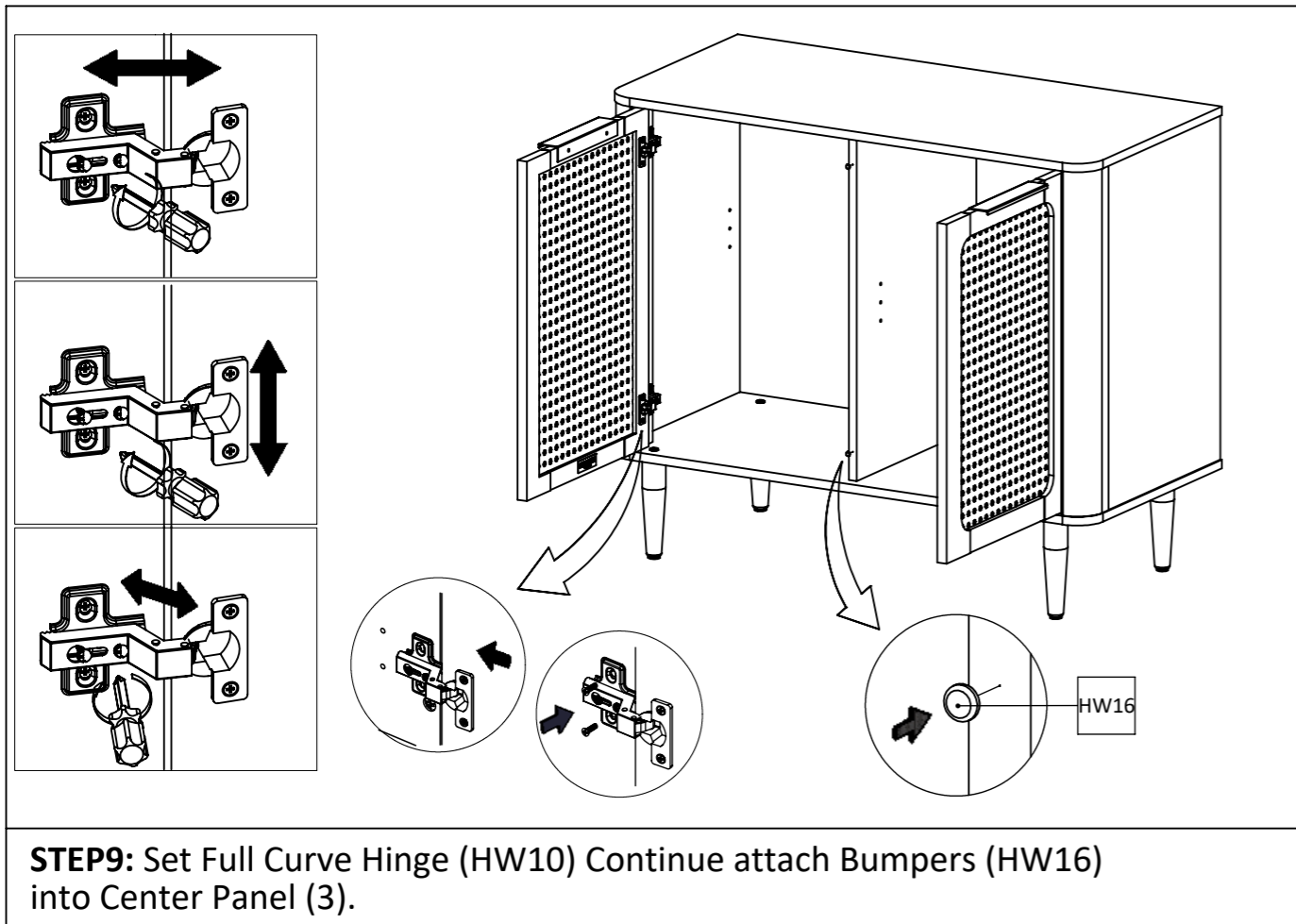
STEP6: Attach Top Panel (8) into Side Panel (2 & 4) Secure with Camlock (HW2) and tighten it using Screwdriver. attach the cover cap sticker (HW15) to the panel that has lamination.



STEP7: Attach the plastic stopper (HW12), to the back panel Secure with screw M4x19 mm (HW6) and tighten it using screwdriver.



STEP8: Insert Full Curve Hinge (HW10) into Door Panel Left-Right (11 & 12), Secure with Screw M5 x 12 mm (HW7) and Screw M6 x 12 mm (HW6) and tighten it using Screwdriver. Continue insert Handle (HW11) into Door Left-Right (11 & 12), Secure with Screw M6 x 12 mm (HW6) and tighten it using Screwdriver.



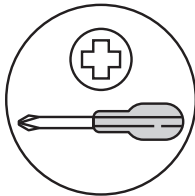
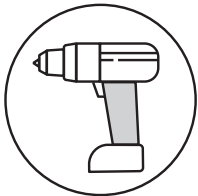


ANTI-TIP RESTRAINT INSTALLATION

! WARNING!

Children have died from furniture tipover.
To reduce the risk of furniture tipover:

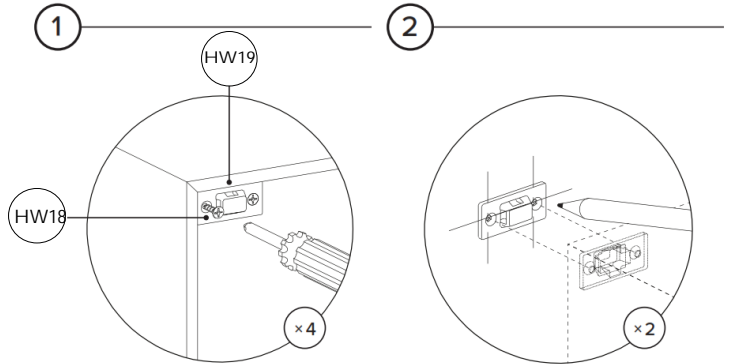
- ALWAYS install tipover restraint provided.
- NEVER allow children to stand, climb or hang on drawers, doors, or shelves.
- NEVER open more than one drawer at a time.
- Place heaviest items in the lower drawers.



REQUIRED TOOL
8MM / 5/16" DRILL BIT

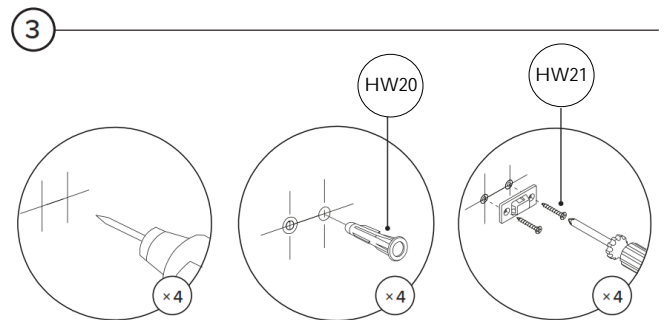
REQUIRED TOOL

! Hardware (HW20/HW21) to attach brackets to wall is designed for drywall. To attach this unit to another type of wall, consult with your local hardware store.

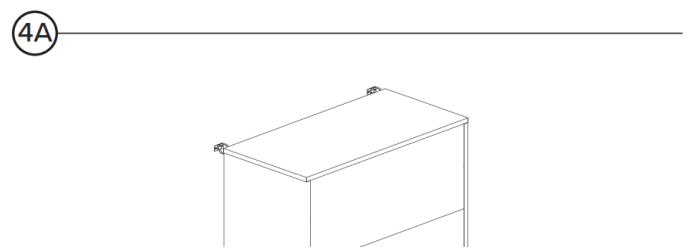


Attach pair of brackets to "Top Panel" of the unit. Note there are no existing pilot holes on the product.

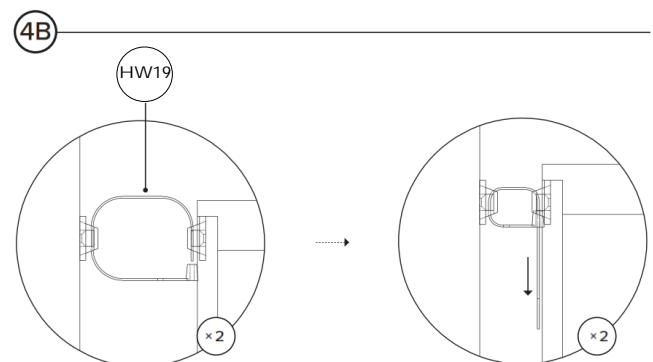
Mark on wall where second pair of brackets should be placed.



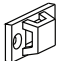

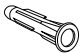
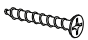

Drill holes in wall using 8mm / 5/16" drill bit.



Align brackets on unit with brackets on wall.



Pull strap down until it snap-locks.

ANTI-TIP RESTRAINT PACK			
ID	DESCRIPTION		QTY
HW19	BRACKET		4
HW18	M6 × 15MM SCREW		4
HW20	M8 × 35MM PLUG		4
HW21	M10 × 50MM SCREW		4
HW19	STRAP		2