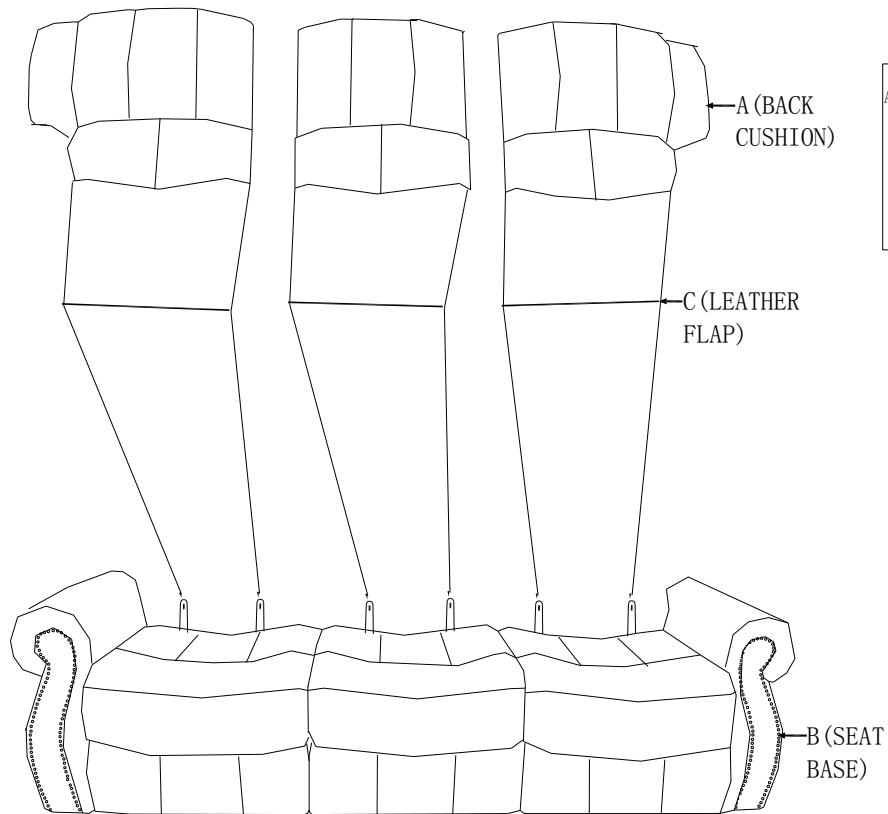


Installation & Assembly



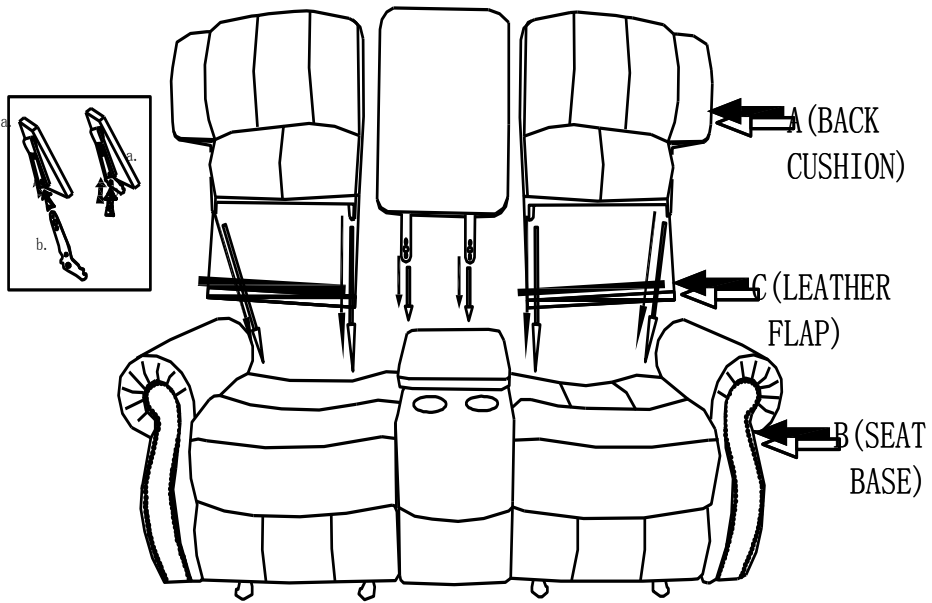
Carefully unpack all parts before attempting to assemble.

STEP 1. INSERT THE BACK CUSHION (A) ONTO THE PRONGS (AS SHOWN) .

STEP 2. ATTACH THE LEATHER FLAP WITH THE VELCRO STRAPPING ONTO THE SEAT BASE (B).

Parts List

A – BACK CUSHION	3
B – SEAT BASE	1
C – LEATHER FLAP	3



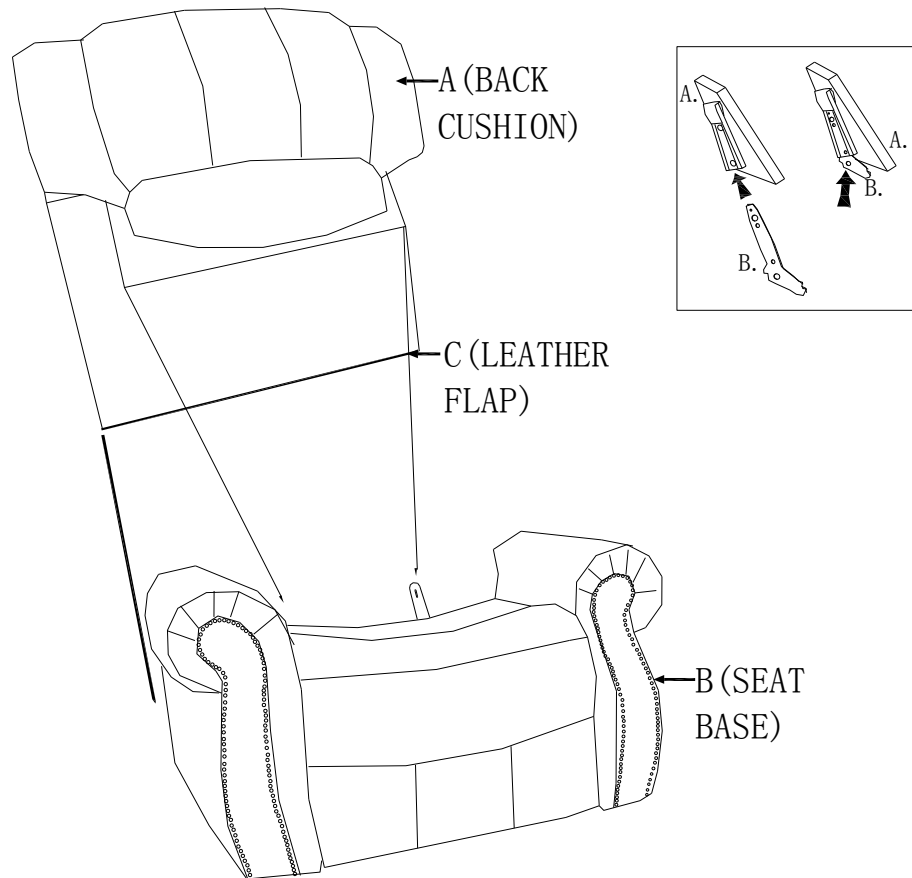
Carefully unpack all parts before attempting to assemble.

STEP 1. INSERT THE BACK CUSHION (A) ONTO THE PRONGS (AS SHOWN) .

STEP 2. ATTACH THE LEATHER FLAP WITH THE VELCRO STRAPPING ONTO THE SEAT BASE (B).

Parts List

A – BACK CUSHION	2
B – SEAT BASE	1
C – LEATHER FLAP	2
D – SCREWS	3
E – WRENCH	1



Carefully unpack all parts before attempting to assemble.

STEP 1. INSERT THE BACK CUSHION (A) ONTO THE PRONGS(AS SHOWN) .

STEP 2. ATTACH THE LEATHER FLAP WITH THE VELCRO STRAPPING ONTO THE SEAT BASE(B).

Parts List

A-BACK CUSHION	1
B-SEAT BASE	1
C-LEATHER FLAP	1