

### Features

- Two-piece design
- Round-front bowl offers an ideal solution for smaller bathrooms and powder rooms
- Left-hand Polished Chrome trip lever
- Combination consists of the K-4841 tank and the K-4197 bowl
- Coordinates with other products in the Wellworth collection
- KOHLER's canister flush valve harnesses the natural force of gravity and optimizes flushing performance
- Eligible for consumer rebates in some municipalities
- 1.28 gpf (4.8 lpf)
- 2-1/8" (54 mm) fully glazed trapway
- Class Five® canister optimizes the flow out of the tank, harnessing gravity and the natural powerful reducing cascade of water to increase the power and effectiveness of the flush

### Installation

- Three-bolt quick-connect installation
- Seat and supply line sold separately

### Recommended Products/Accessories

- K-5420 Low-Profile Bolt Caps
- K-9379 Trip Lever
- 1023457 Wax Ring/Hardware Kit
- 1265114 Connector Hose
- K-23726 Drain treatment
- K-4639-RL Cachet® ReadyLatch® Quiet-Close™ round-front toilet seat

### Included Components

- K-4197 Round-front toilet bowl
- K-4841 Toilet tank, 1.28 gpf



### Codes/Standards

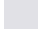

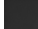
ASME A112.19.2/CSA B45.1  
DOE - Energy Policy Act 1992  
EPA WaterSense®  
California Energy Commission (CEC)  
IAPMO Certification

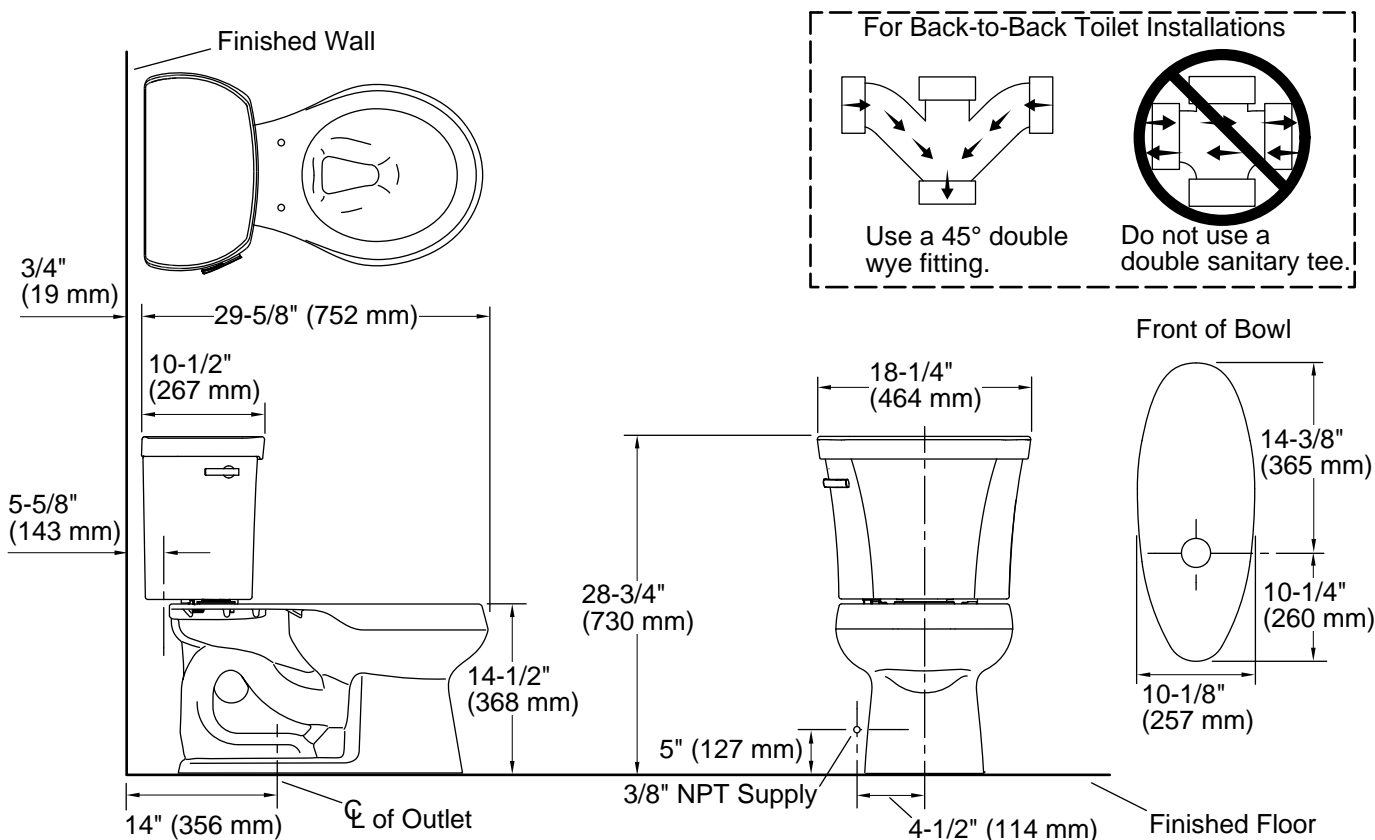
### KOHLER® Toilets and Seats Limited Warranty

See website for detailed warranty information.

### Available Colors/Finishes

*Color tiles intended for reference only.*

| Color   | Code | Description  |
|---|------|--------------|
|  | 0    | White        |
|  | 96   | Biscuit      |
|  | 7    | Black Black™ |



## Technical Information

All product dimensions are nominal.

|                       |                                    |
|-----------------------|------------------------------------|
| Toilet type:          | Floor-mount                        |
| Waste Outlet:         | Floor                              |
| Bowl shape:           | Round-front                        |
| Flush type:           | Class Five                         |
| Trap passageway:      | 2-1/8" (54 mm)                     |
| Water surface size:   | 10-1/2" x 7-3/4" (267 mm x 197 mm) |
| Rim to water surface: | 5-1/4" (133 mm)                    |
| Rough-in:             | 14" (356 mm)                       |
| Seat-mounting holes:  | 5-1/2" (140 mm)                    |

## Notes

Install this product according to the installation instructions.