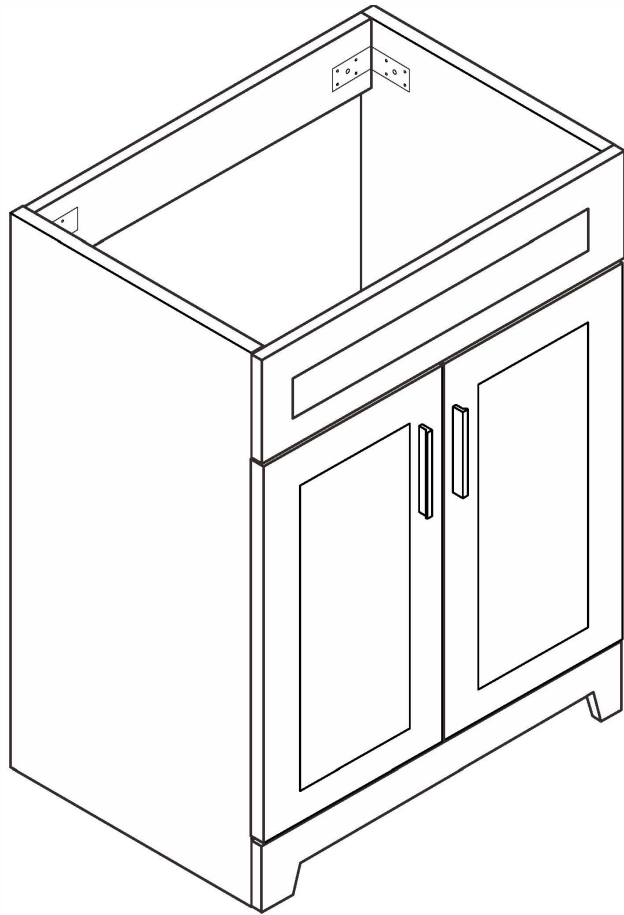
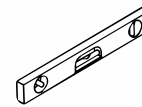


# Installation Manual

RV14

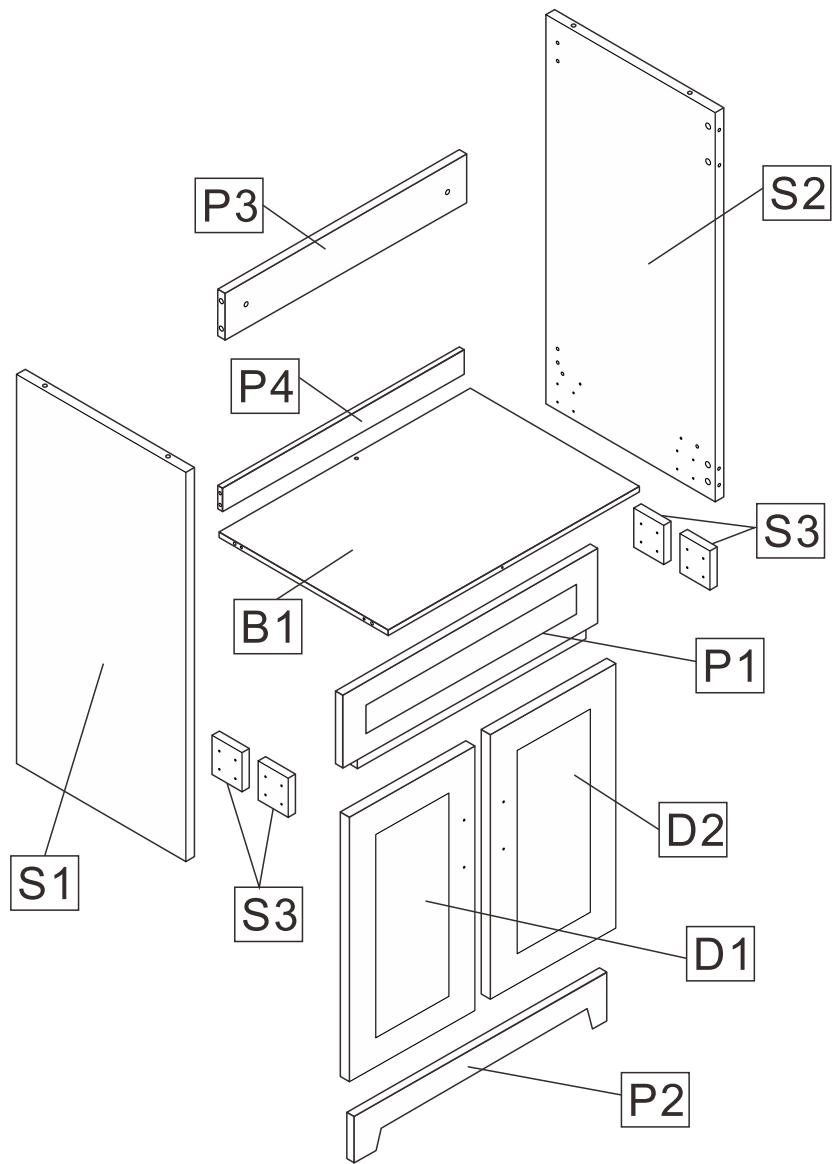


## Pre-installation preparation

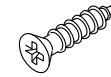


**Check before installation.**

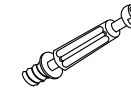
**Return won't be accepted afterwards.**



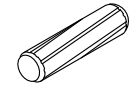
## Package List



H1x48



H2x20



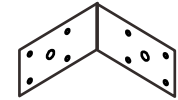
H3x6



H4x20



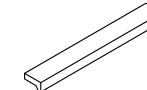
H5x20



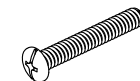
H6x2



H7x4

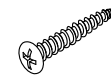


H8x2



H9x4

Ø4x25mm



H10x16

Ø4x50mm

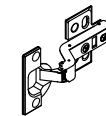


H12x2

Ø8x40mm



H13x2



H14x4

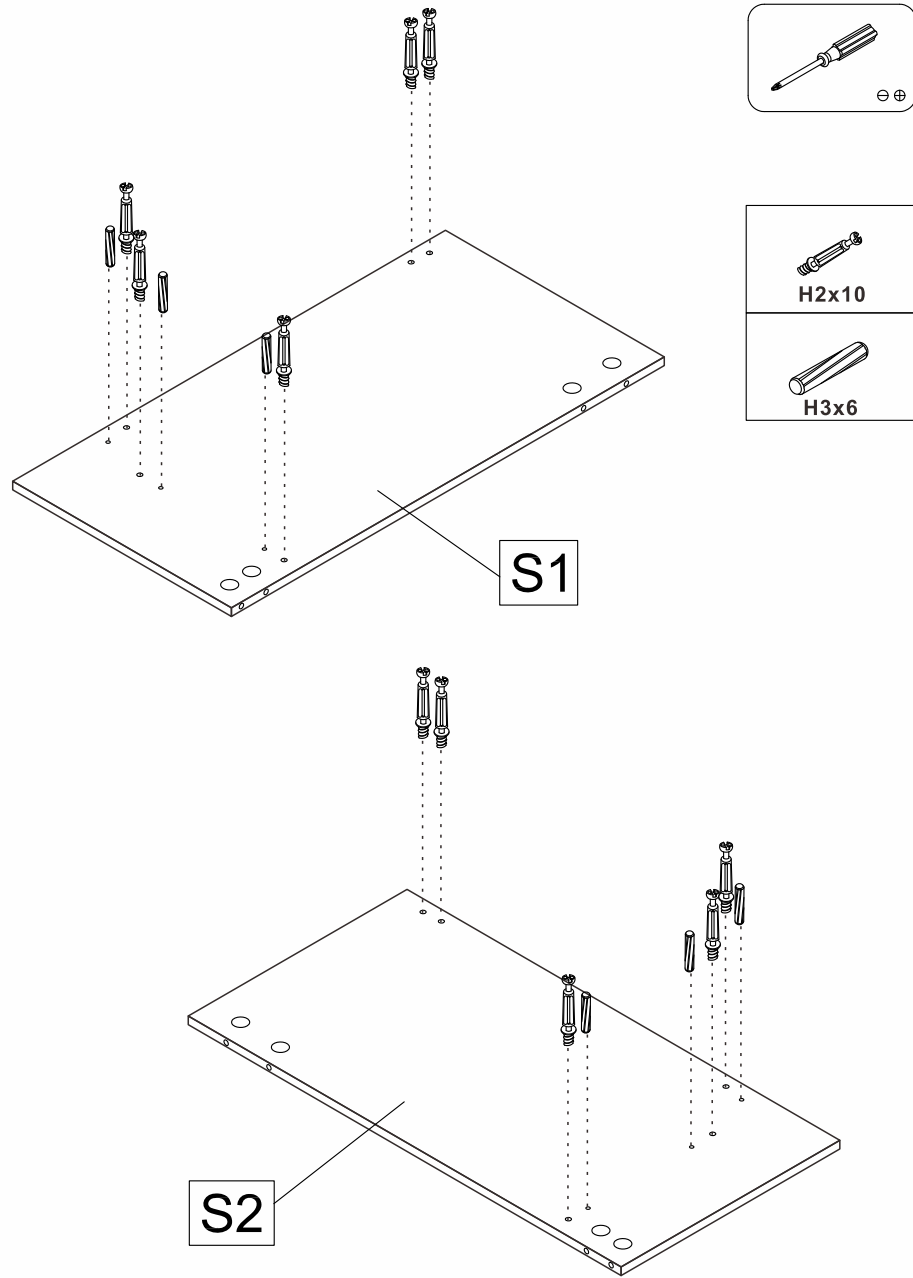


H15x4

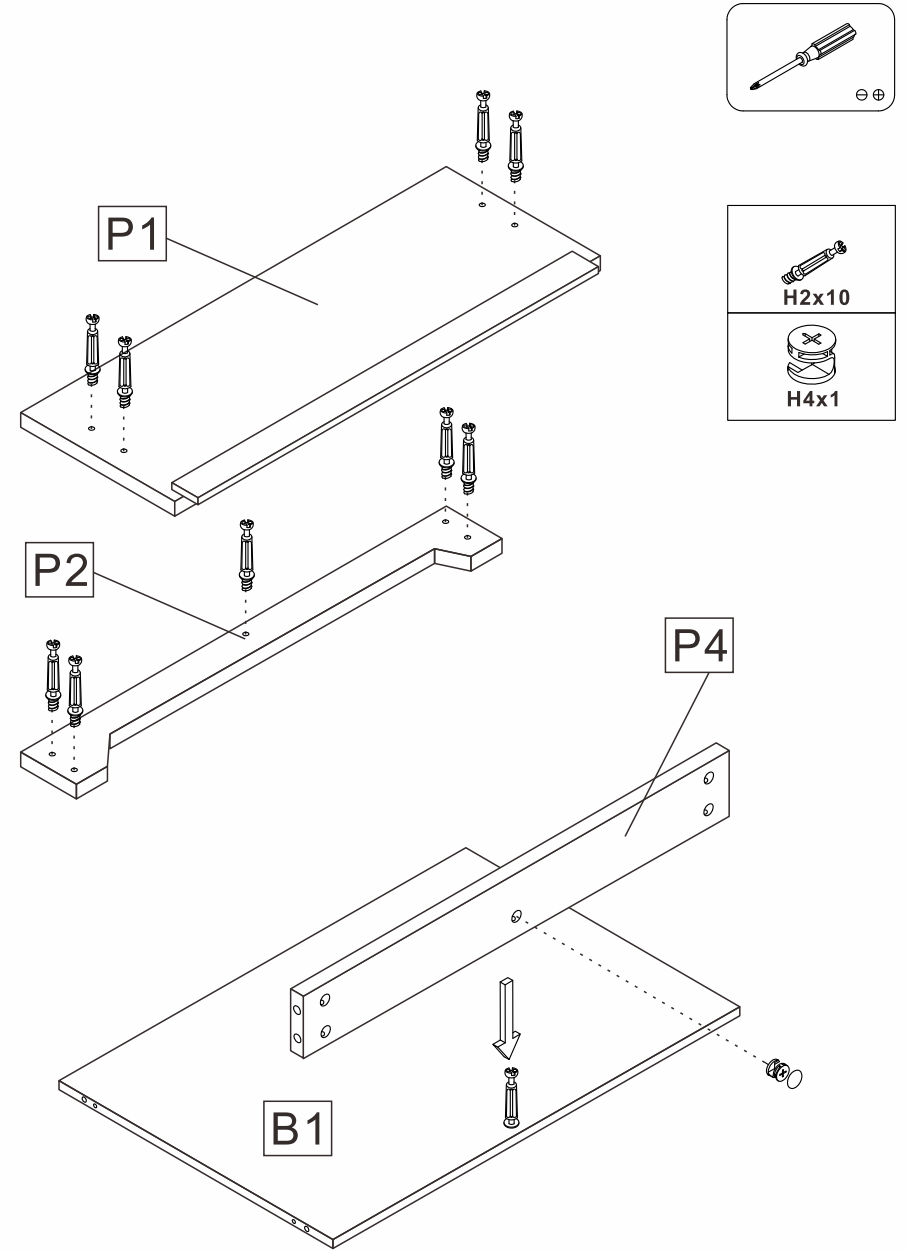


H16x2

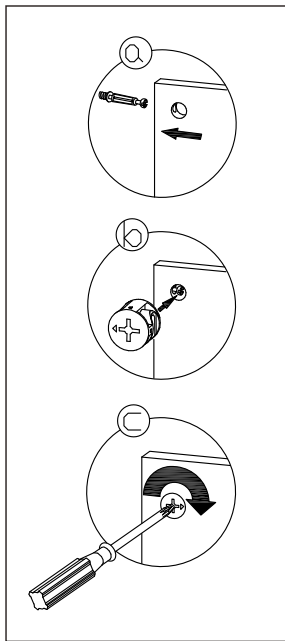
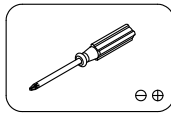
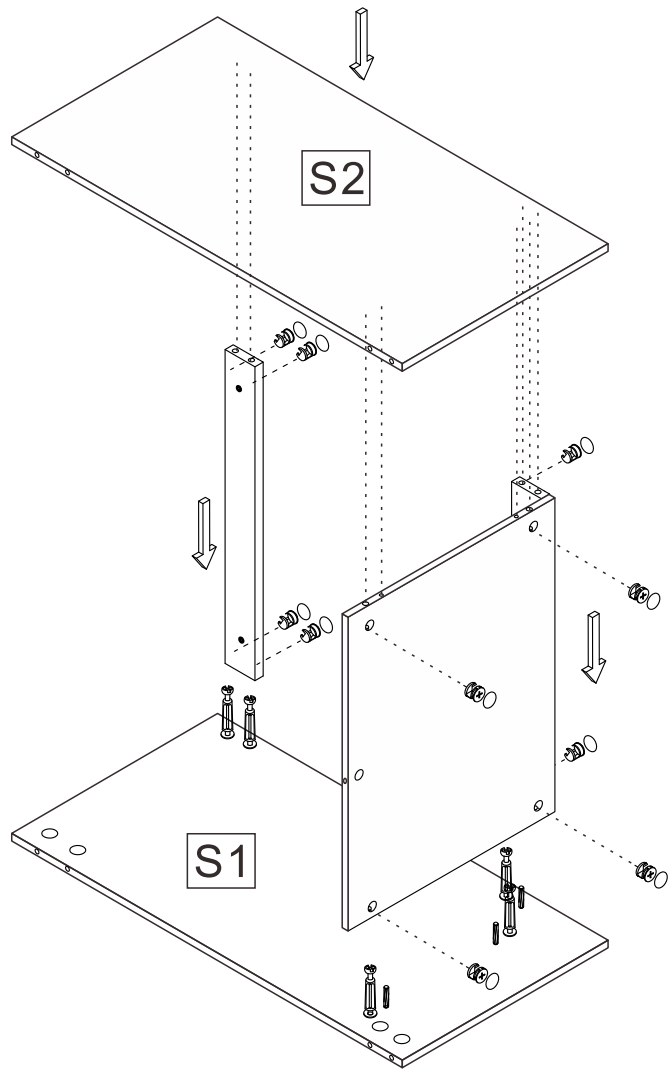
1



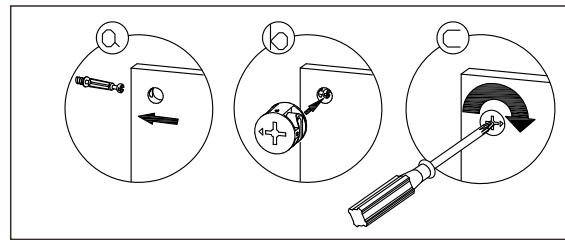
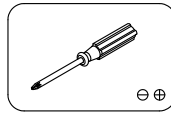
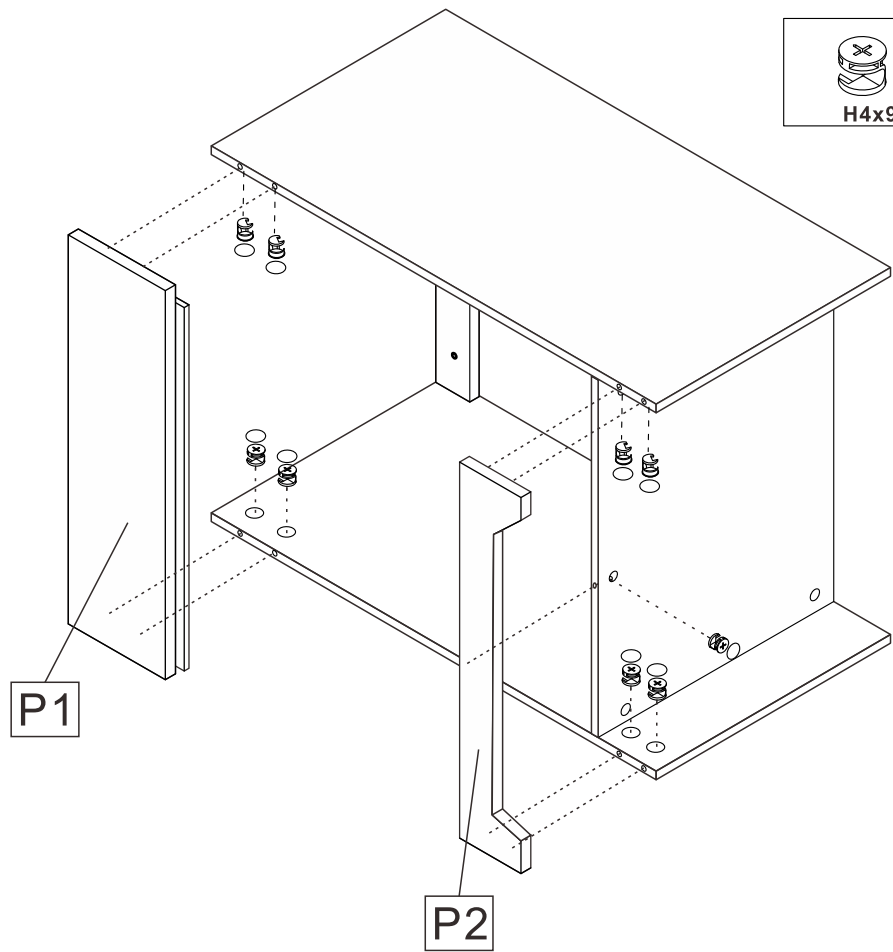
2



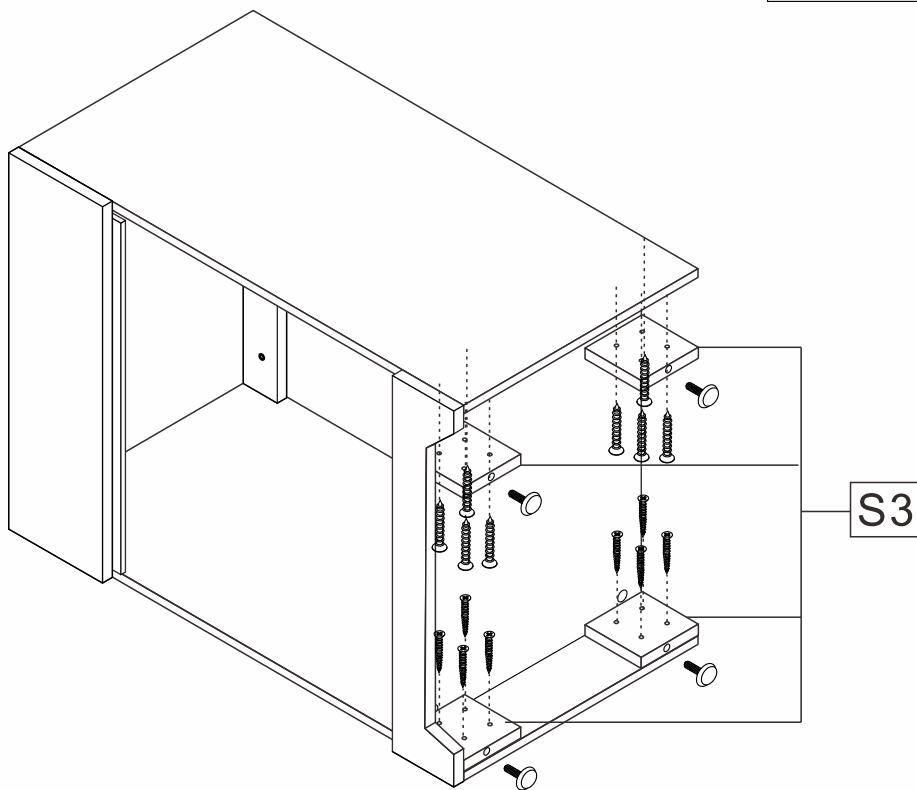
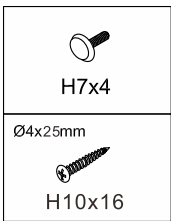
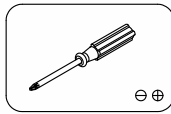
3



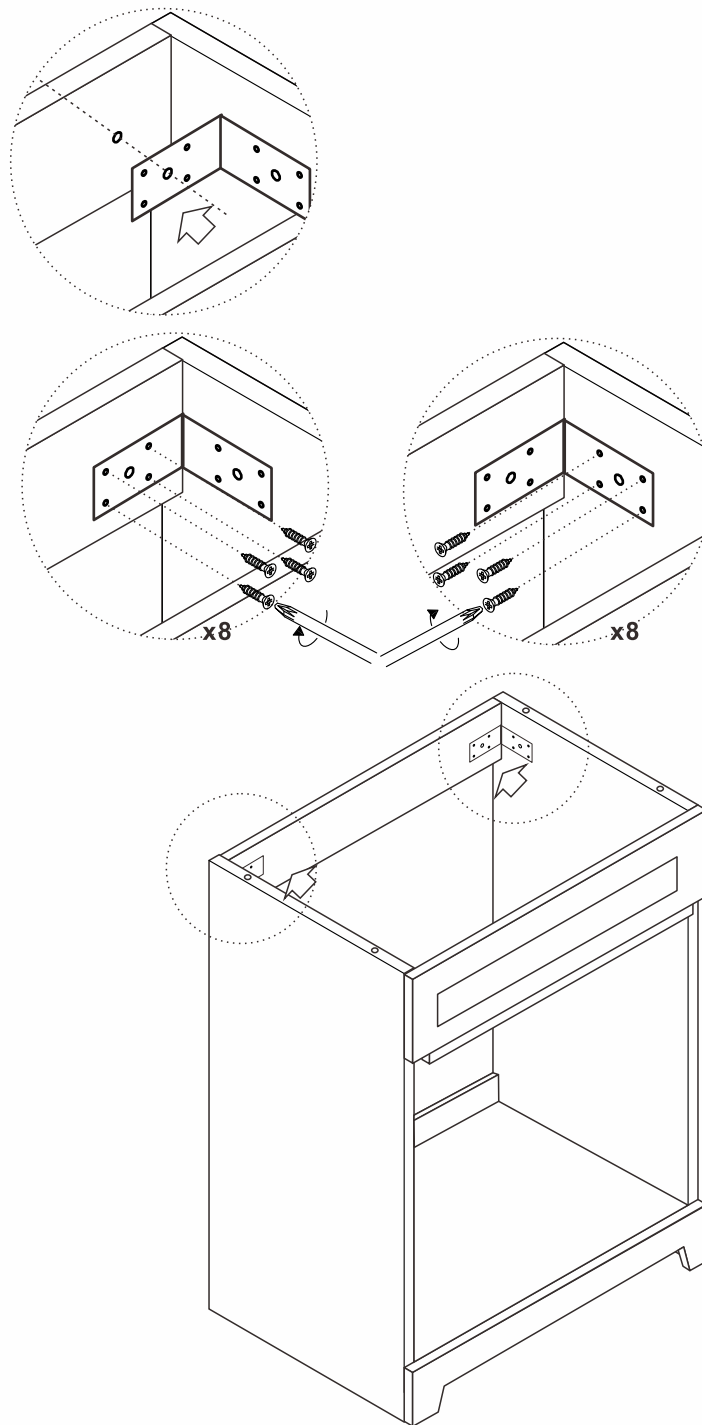
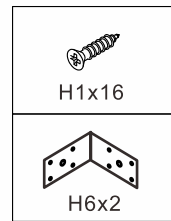
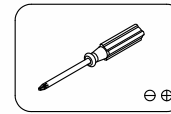
4



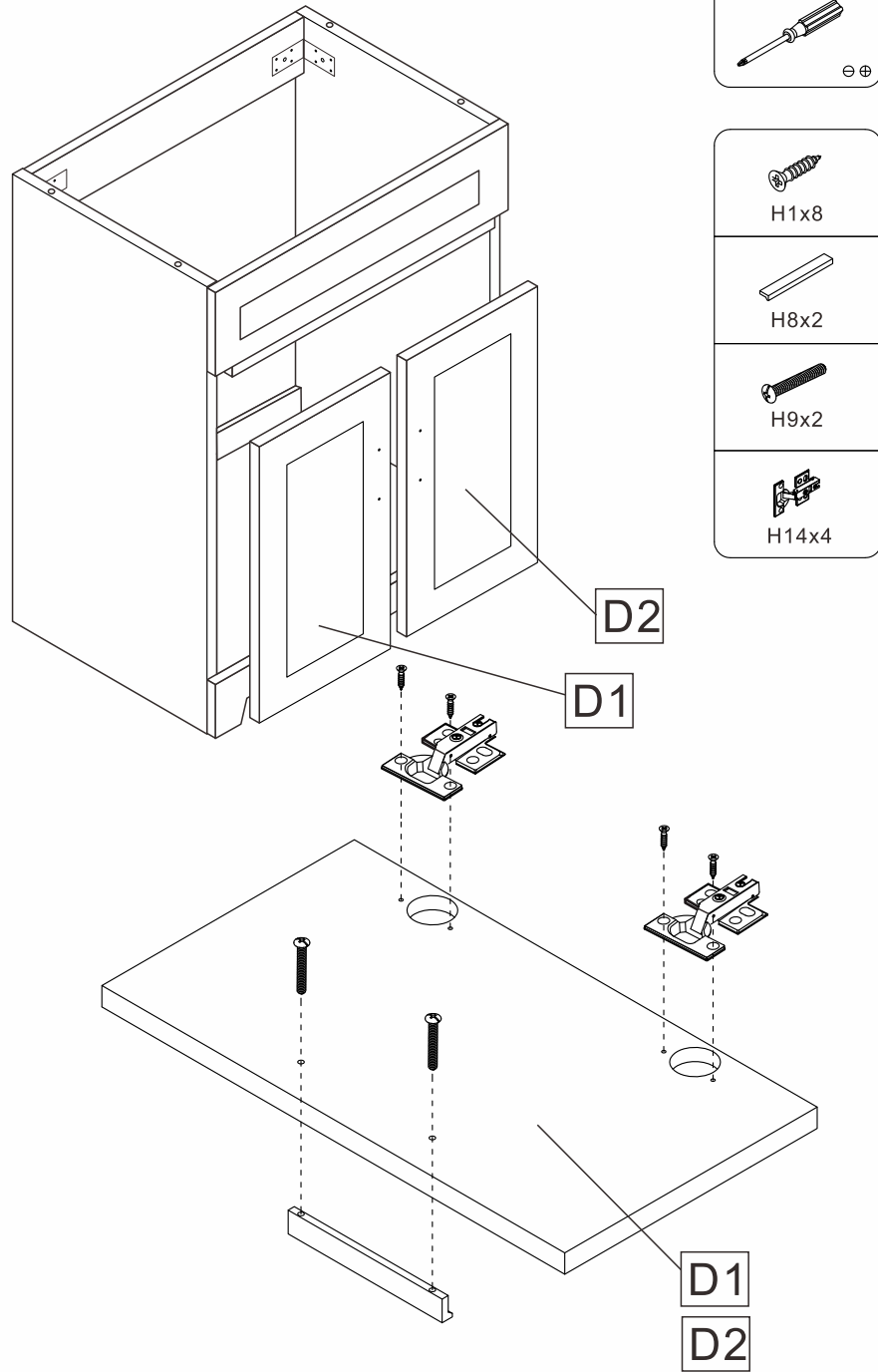
5



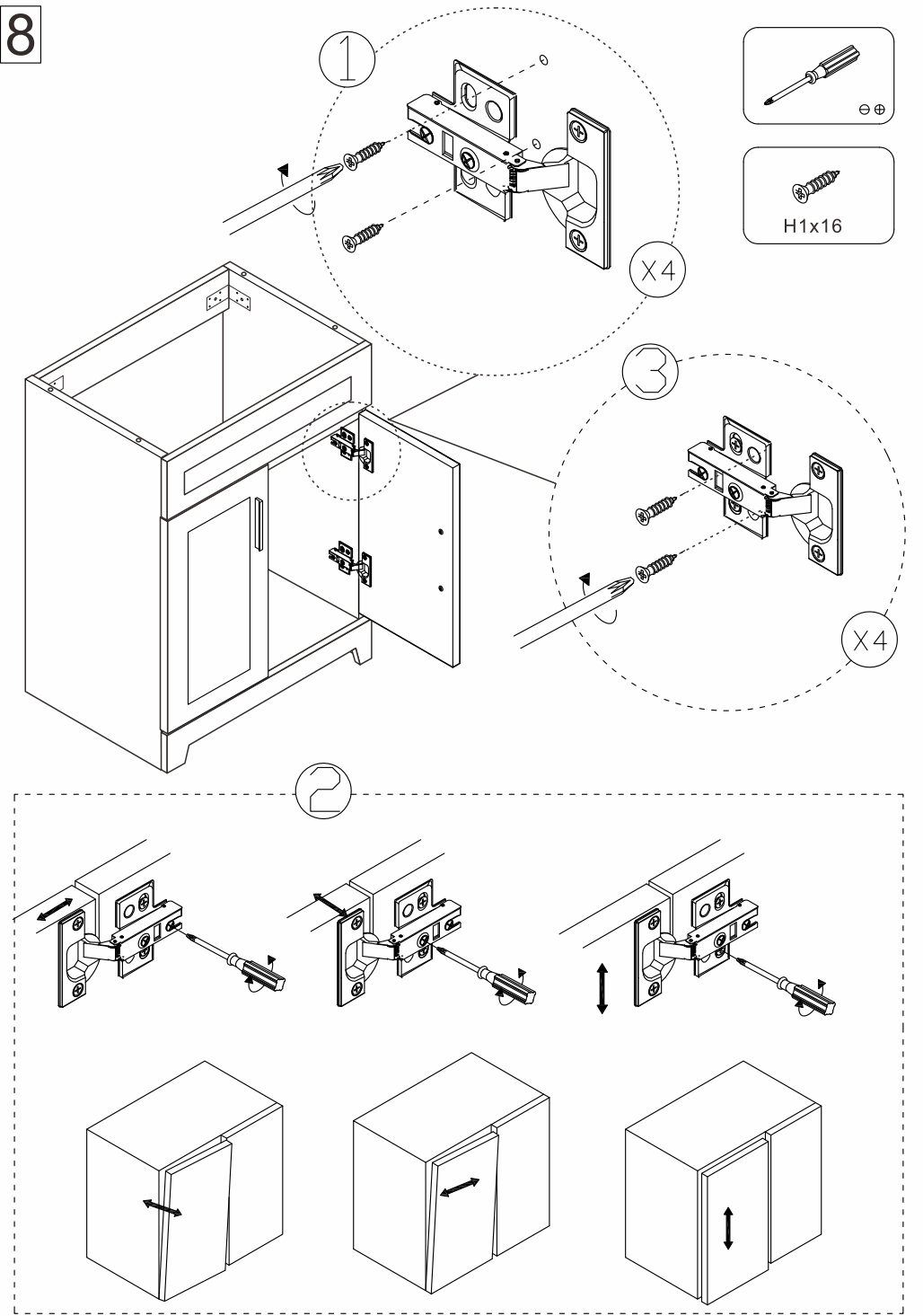
6



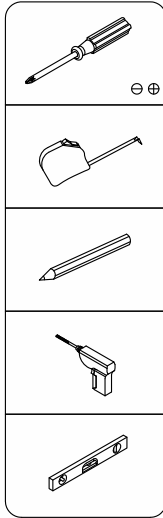
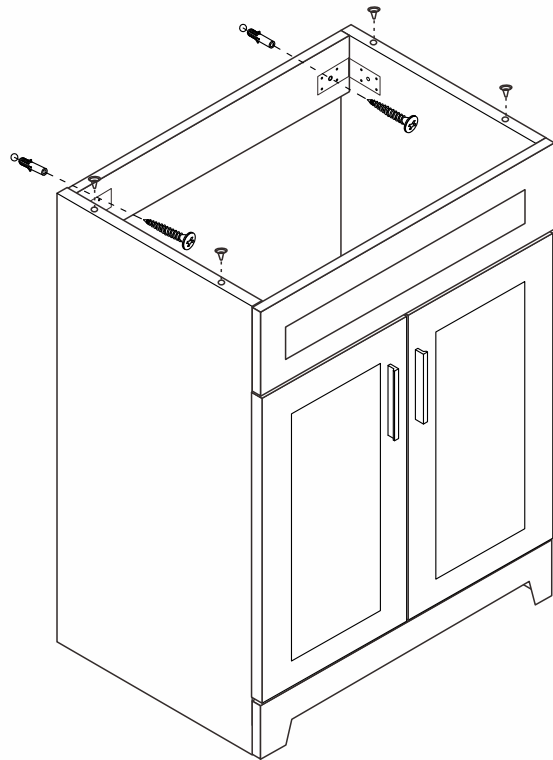
7



8



9



- Ø4x50mm  
H12x2
- Ø8x40mm  
H13x2
- H15x4

**Notice : To make the vanity stronger and more stable, you may also fix two small pieces of angle irons to two corners between the front and the side panels, shown as following:**

