

50101

Decorative Outdoor Wall-Mount

Product Description

The 50101 Series Decorative Outdoor Wall-Mount is constructed from die-cast aluminum with a weather-resistant finish. The architectural design is perfect for the most demanding exterior styles, ranging from traditional to modern applications. The 50101 Series cylinder lights feature a down light only, perfect for entrances, courtyards, decks, columns, and porches of all styles. The commercial grade quality also makes this light suitable for office buildings, schools, stairways, and other complexes. Choose between bronze, black, or white powder coated finishes.

Construction

- Die-cast aluminum construction
- UV-stabilized powder-coat finish
- 4.5" bulb aperture

Electrical

- Requires one R30/PAR30 or BR30 bulb rated up to 75W (max)
- Input voltage of 120VAC
- E26 medium socket base

Finish

- Bronze (50101BA)
- Black (50101BK)
- White (50101WH)

Installation

- Fixture mounts flush to wall
- 5" mounting base
- Integrated mounting base
- Fits standard 4" junction boxes
- Includes all hardware necessary for installation

Listings

- UL Certified
- Wet-Location rated

Warranty

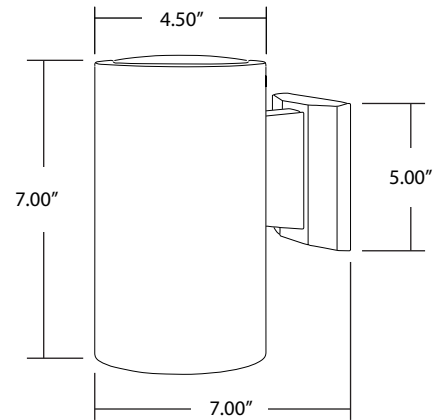
- 1-year limited system warranty standard
- Warranty does not cover product failure due to an overvoltage event (power surge)

Project _____

Catalog _____

Type _____

Date _____



Ordering Information

Catalog Number	Trim Color
50101WH	White
50101BK	Black
50101BA	Architectural Bronze

