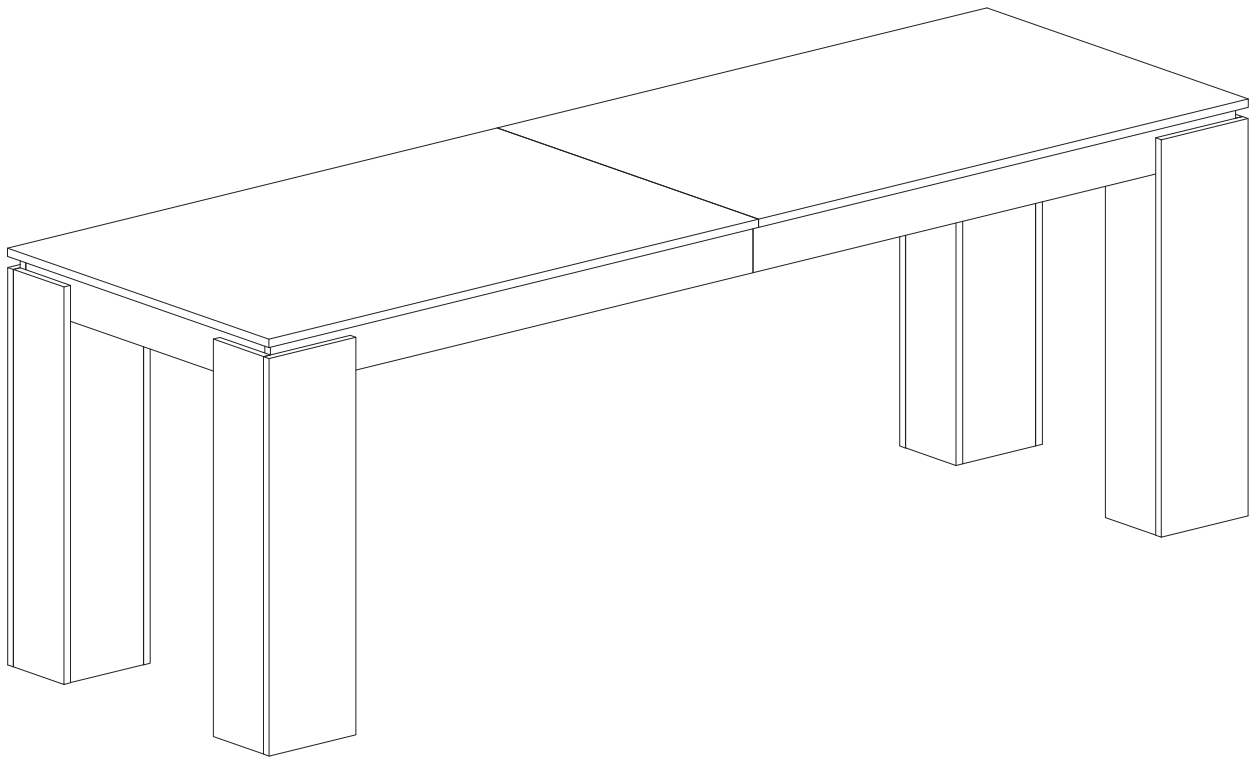


Assembly Instructions

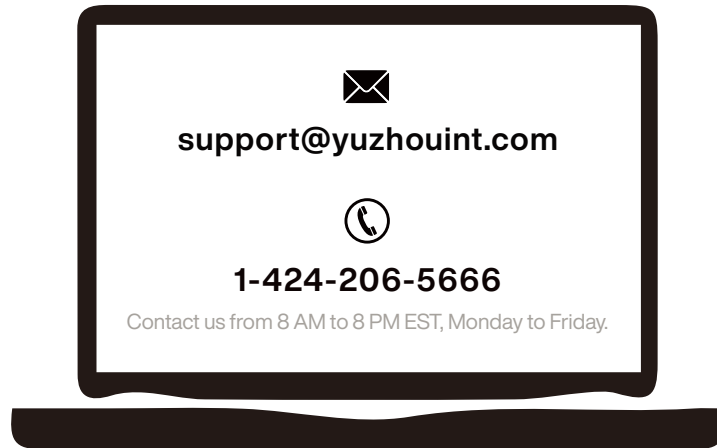


Dining Table

Model No.
HOGA-SL0020

Contact Us

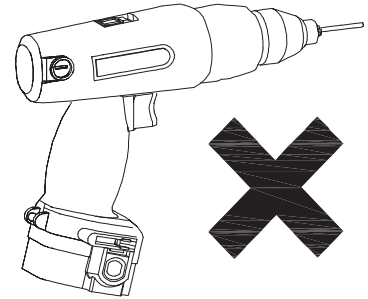
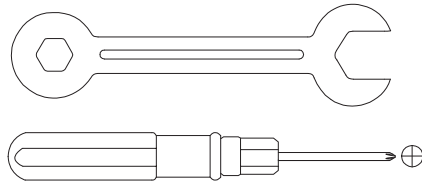
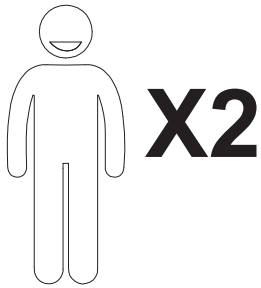
We're here to help you.



Your satisfaction is our top priority. If you encounter any issues with this product, such as missing or damaged parts, we're here to help. Please retain the original packaging and take photos of the packaging and the product, then contact us as soon as possible.

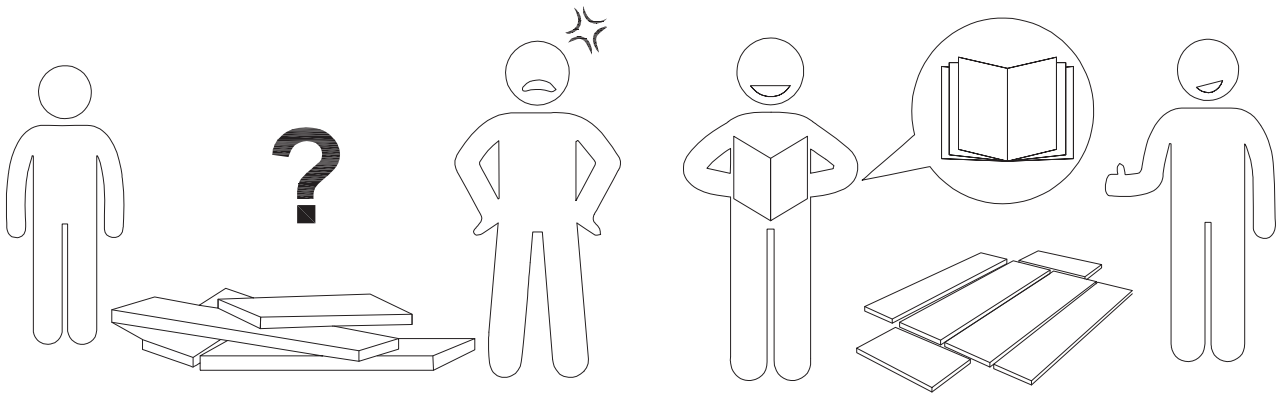
Warm Tips

1. Carefully read these instructions and keep them for future reference.
2. Check the parts list and confirm everything's there before starting assembly.
3. When assembling, put all parts on a soft, smooth surface like a carpet to avoid scratches.
4. Don't fully tighten screws until all parts are confirmed in place to avoid misalignment.



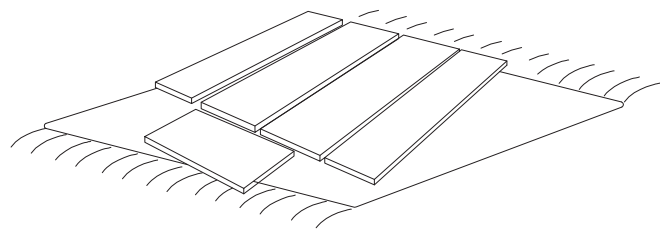
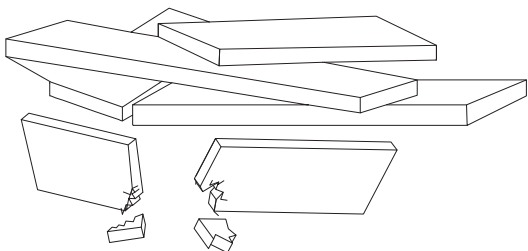
We recommend using hand tools for assembly.

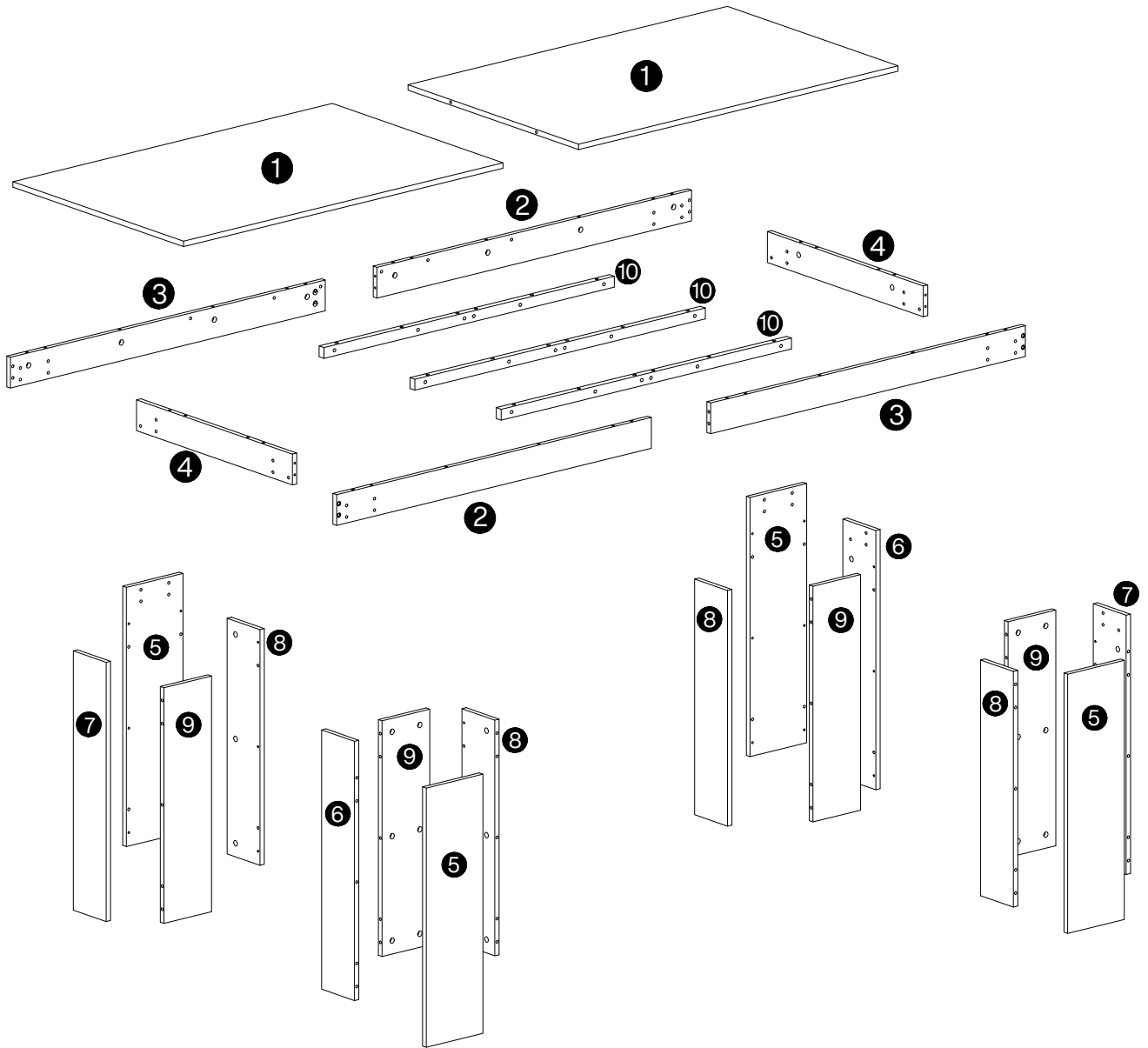
If an electric screwdriver is used, reduce power and torque to avoid damage to the product.



AVOID SCRATCHES

In order to avoid scratching, this furniture should be assembled on a soft surface, such as a rug.

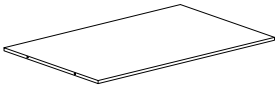
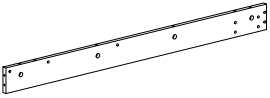
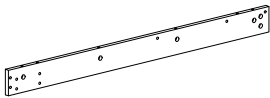
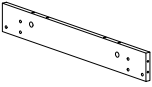
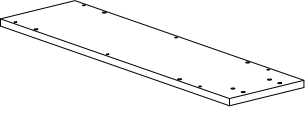
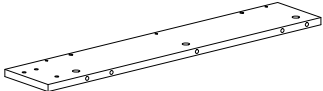
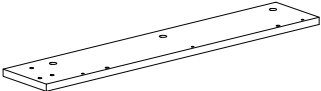
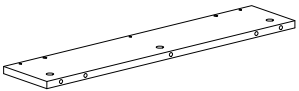
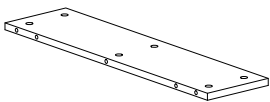
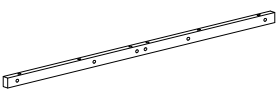




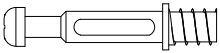
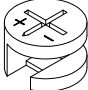


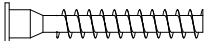
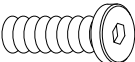
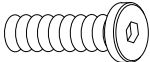
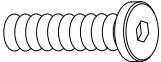

⚠ Caution

Make sure all parts are included. Most board parts are labeled or stamped on the raw edge. Contact us for a free replacement if you encounter any damaged or missing parts.

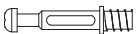
Parts List

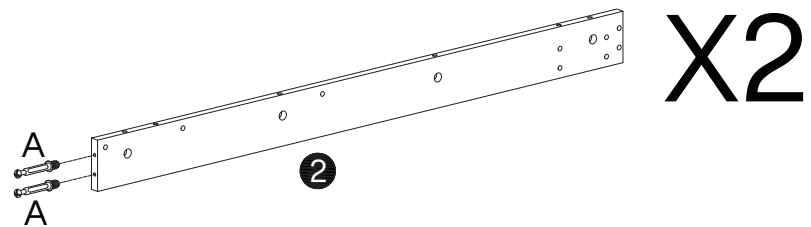
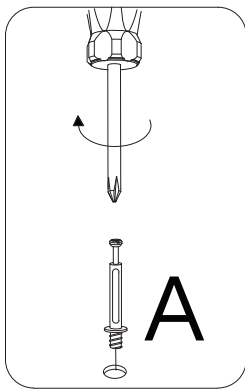
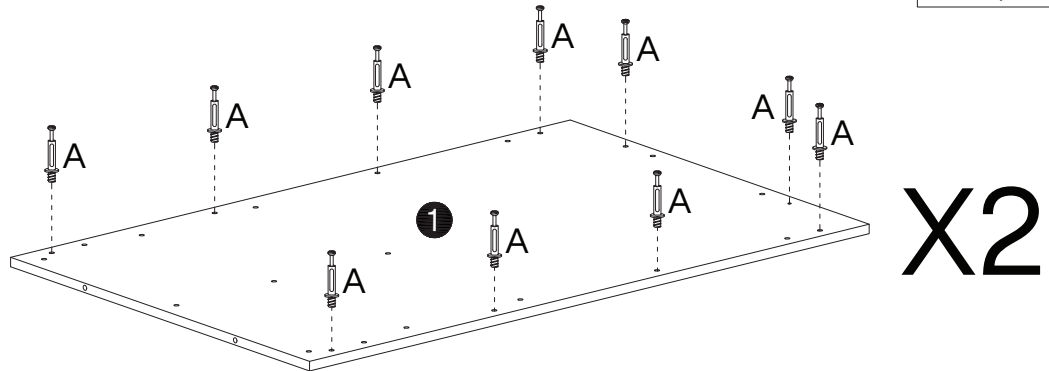
<p>1</p>  <p>2 pcs</p>	<p>2</p>  <p>2 pcs</p>	<p>3</p>  <p>2 pcs</p>	<p>4</p>  <p>2 pcs</p>
<p>5</p>  <p>4 pcs</p>	<p>6</p>  <p>2 pcs</p>	<p>7</p>  <p>2 pcs</p>	<p>8</p>  <p>4 pcs</p>
<p>9</p>  <p>4 pcs</p>	<p>10</p>  <p>3 pcs</p>		

Hardware List


A	B	C	D	E
				
Ø6X43 mm	Ø15X12 mm	Ø8X30 mm	Ø8X50 mm	Ø7X47 mm
72+1 pcs	72+1 pcs	44+1 pcs	2+1 pcs	8+1 pcs
F	G	H	I	
				
M6X25 mm	M6X30 mm	M6X40 mm	N4X64 mm	
28+1 pcs	12+1 pcs	18+1 pcs	1 pc	

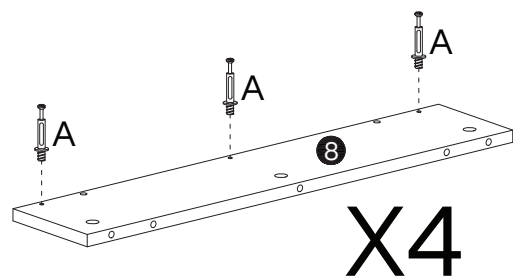
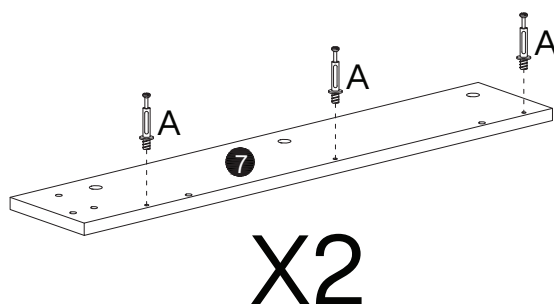
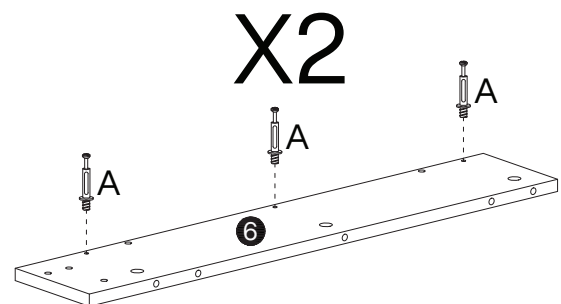
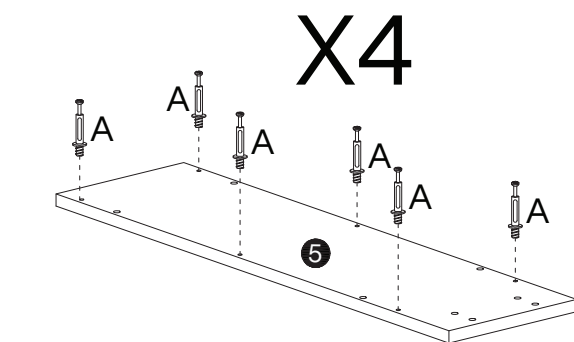
1

A

Ø6X43 mm
24 pcs


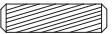


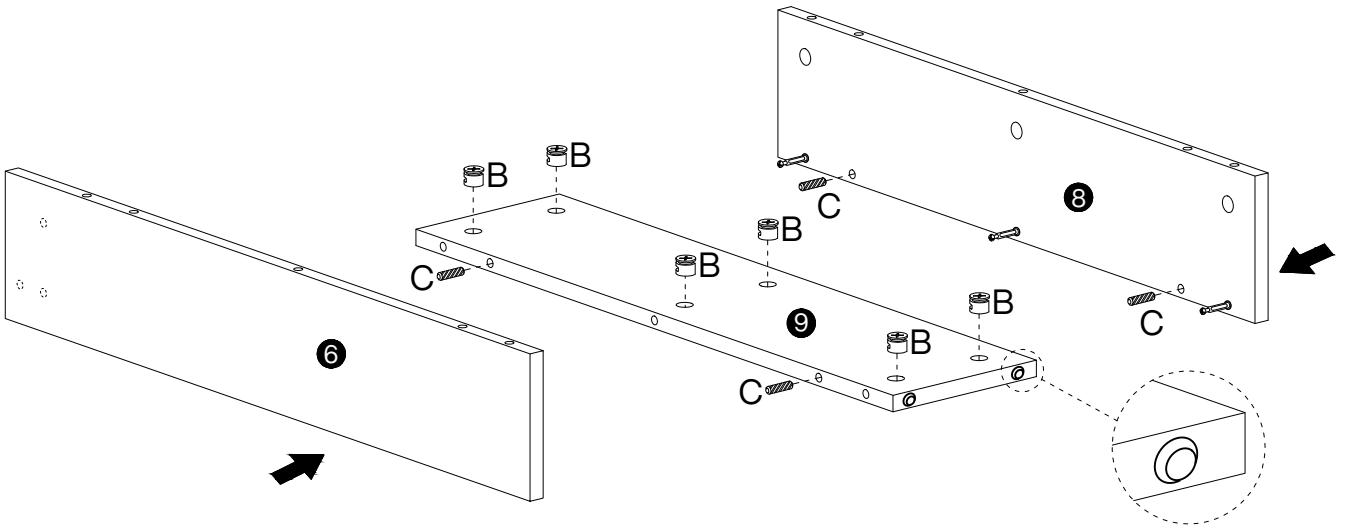
2

A

Ø6X43 mm
48 pcs





3

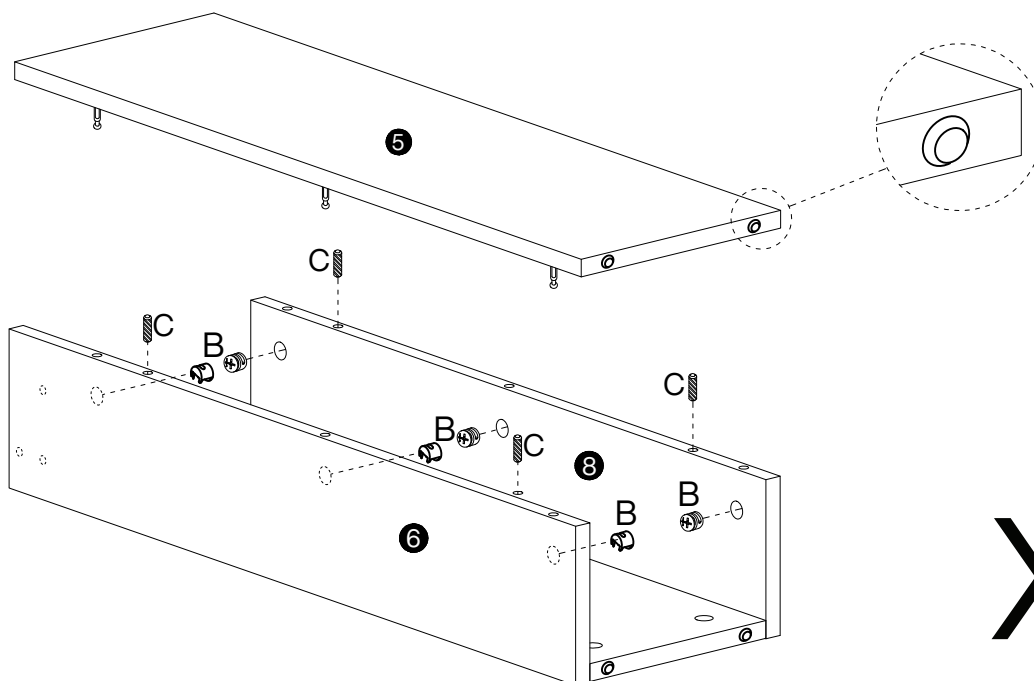
B	C
	
Ø15X12 mm	Ø8X30 mm
12 pcs	8 pcs



X2



4

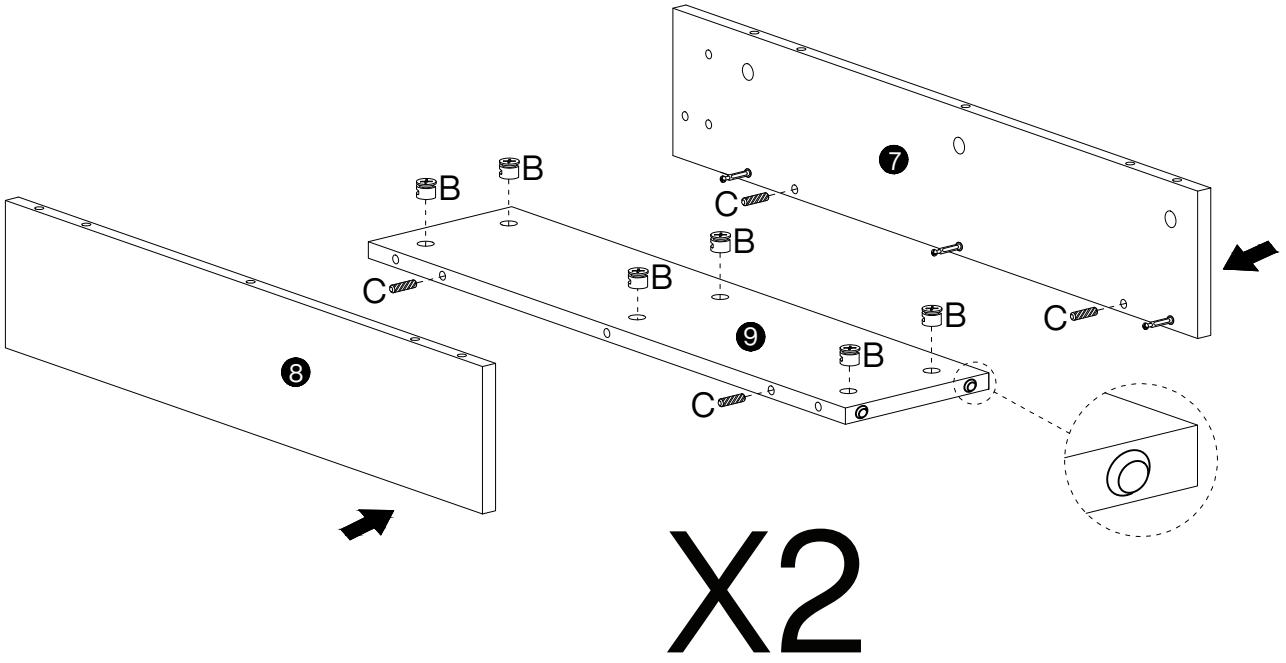
B	C
	
Ø15X12 mm	Ø8X30 mm
12 pcs	8 pcs





X2

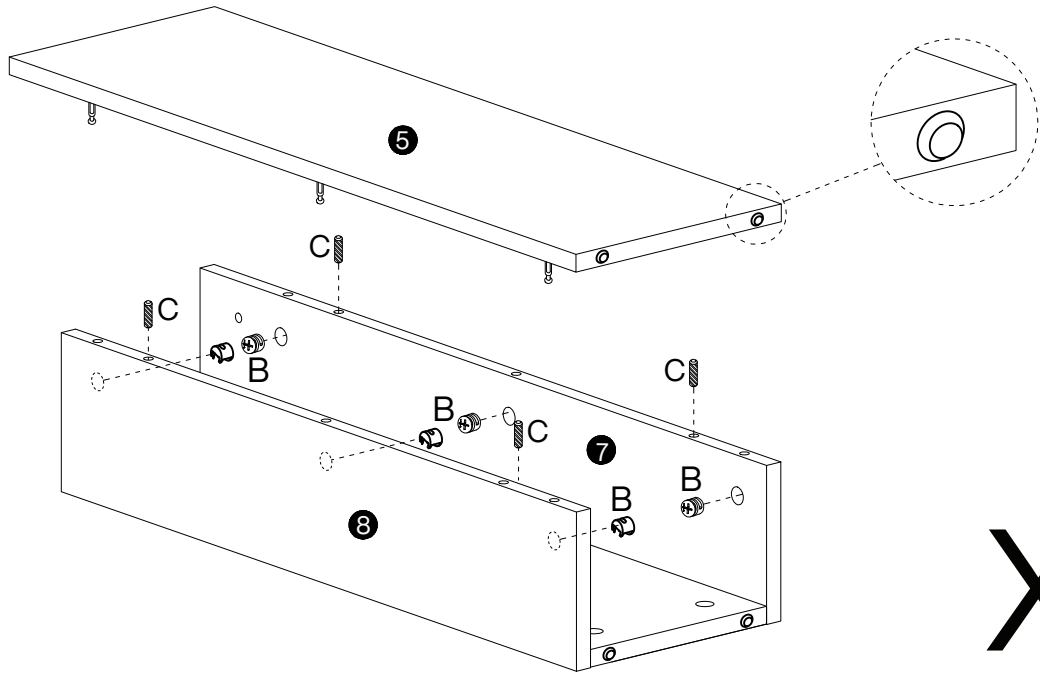
5

B	C
	
Ø15X12 mm	Ø8X30 mm
12 pcs	8 pcs




6

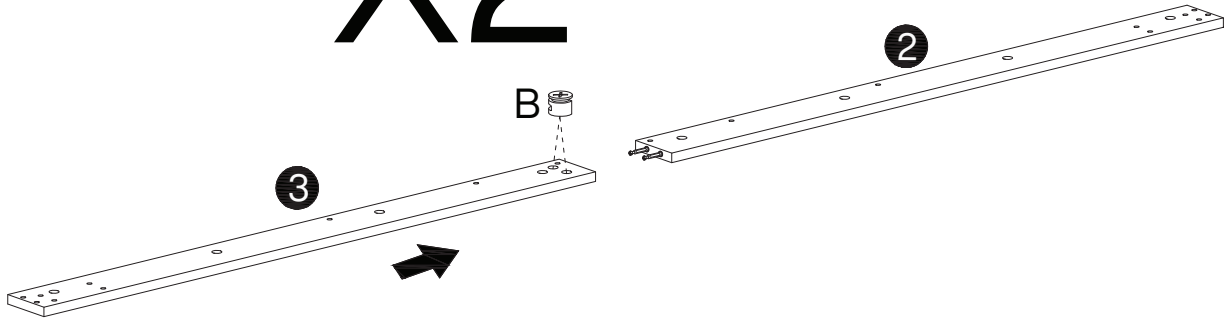
B	C
	
Ø15X12 mm	Ø8X30 mm
12 pcs	8 pcs





7

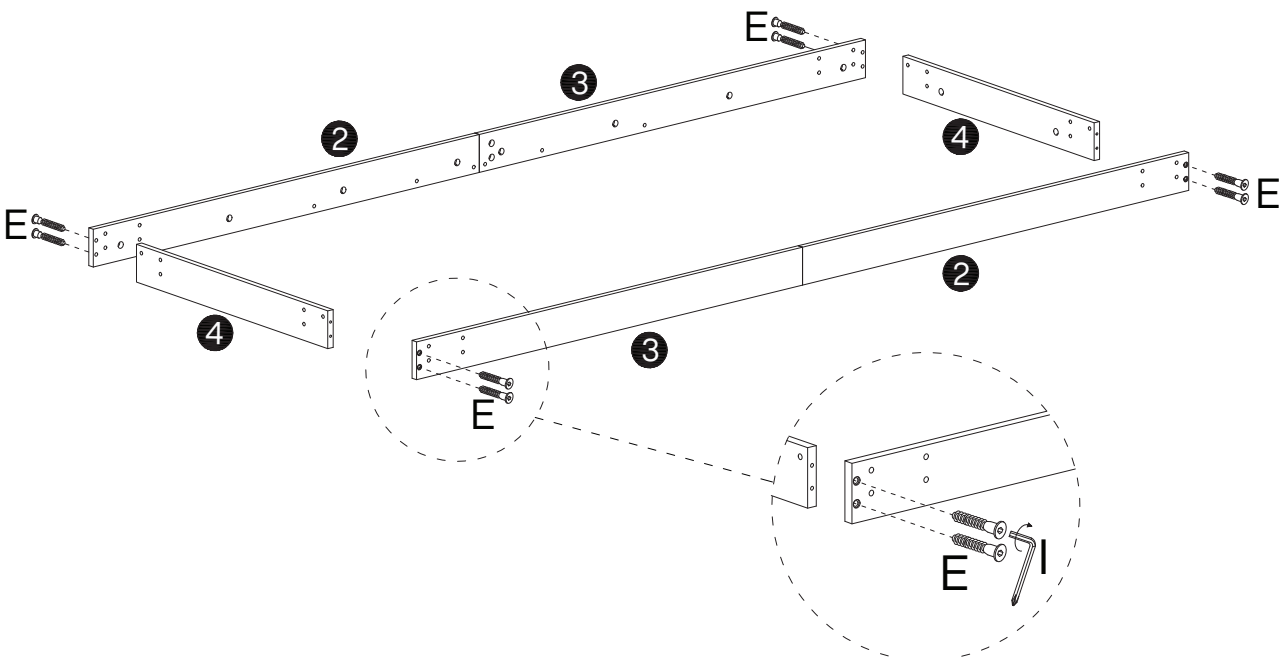
B

Ø15X12 mm
4 pcs

X2




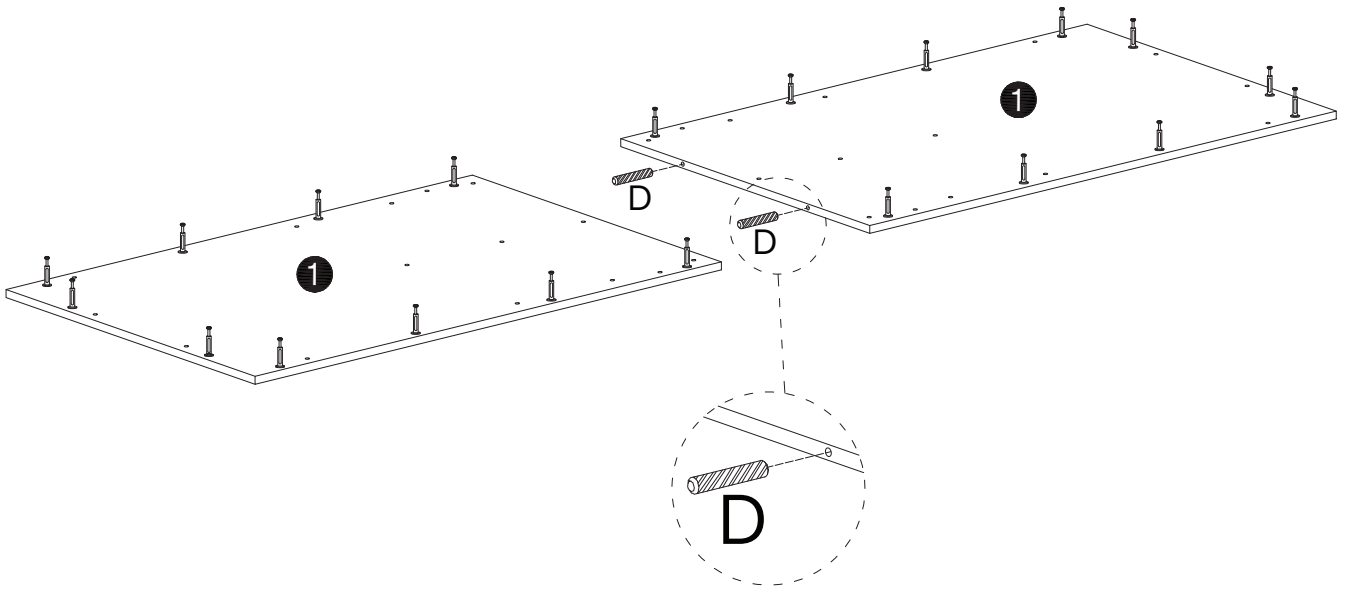
8

E	I
	
Ø7X47 mm	N4X64 mm
8 pcs	1 pc





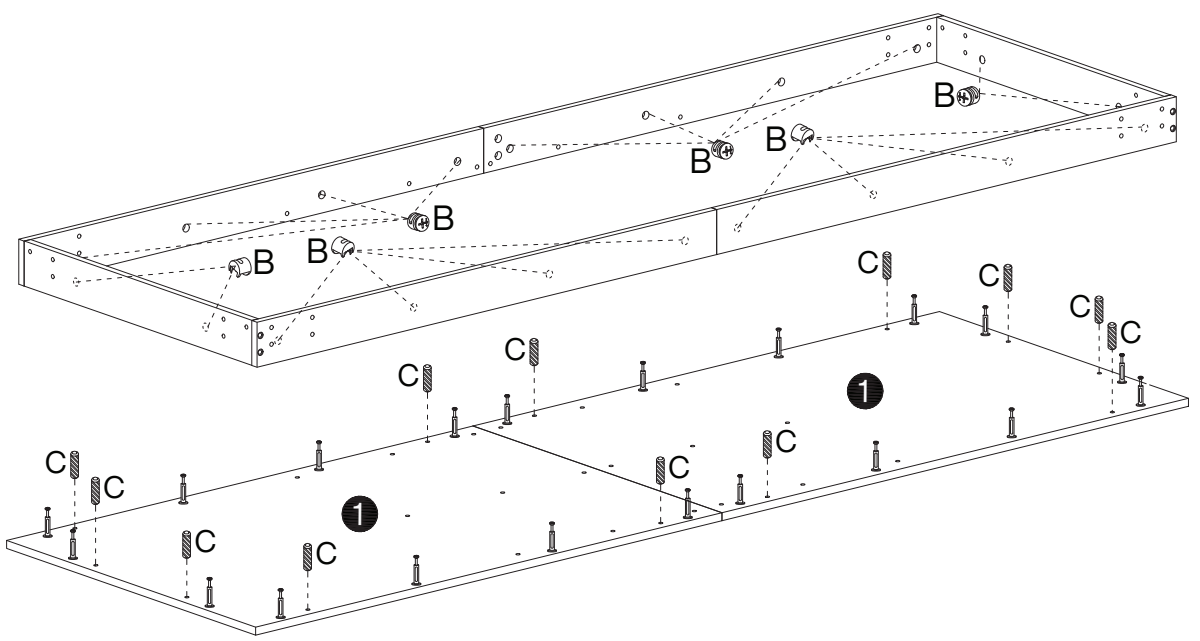
9

D

Ø8X50 mm
2 pcs




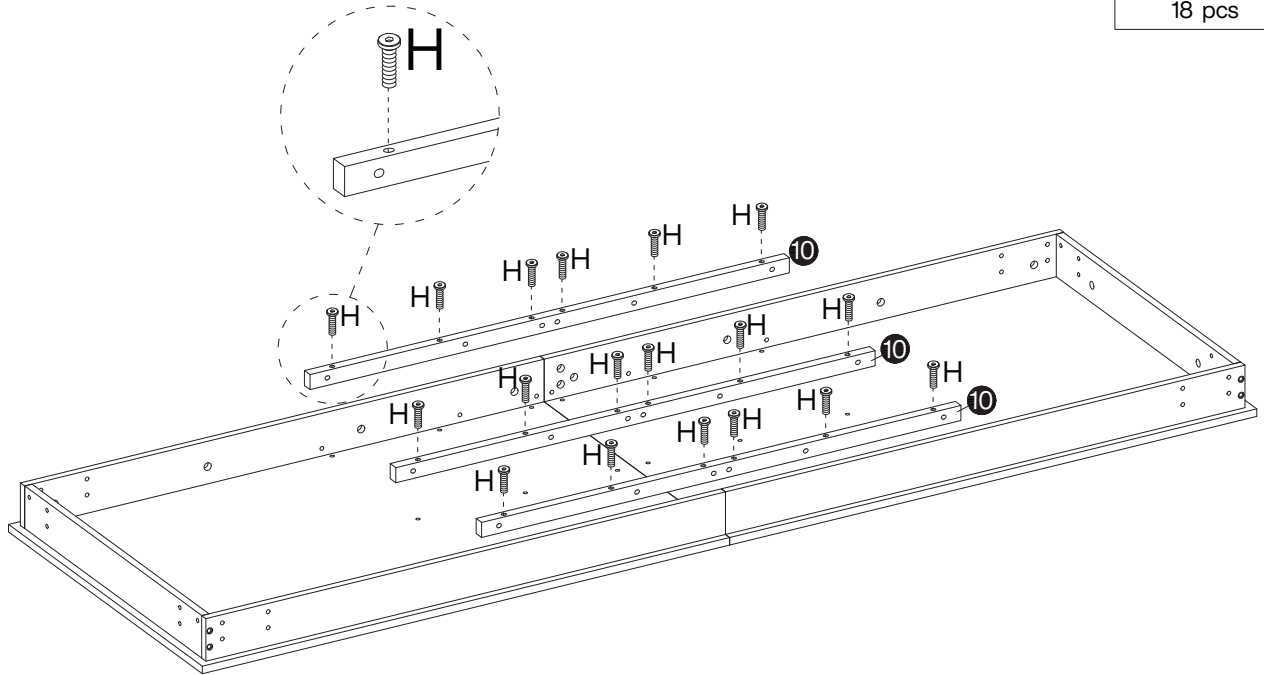
10

B	C
	
Ø15X12 mm	Ø8X30 mm
20 pcs	12 pcs




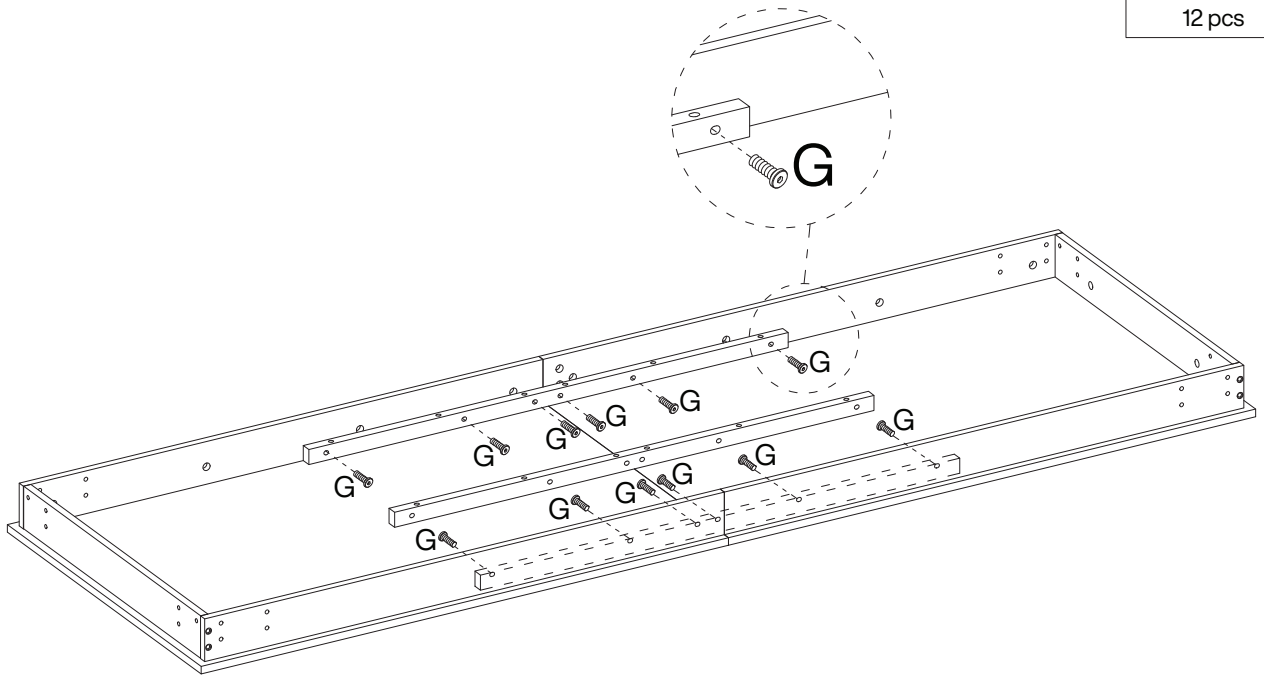
11

H

M6X40 mm
18 pcs

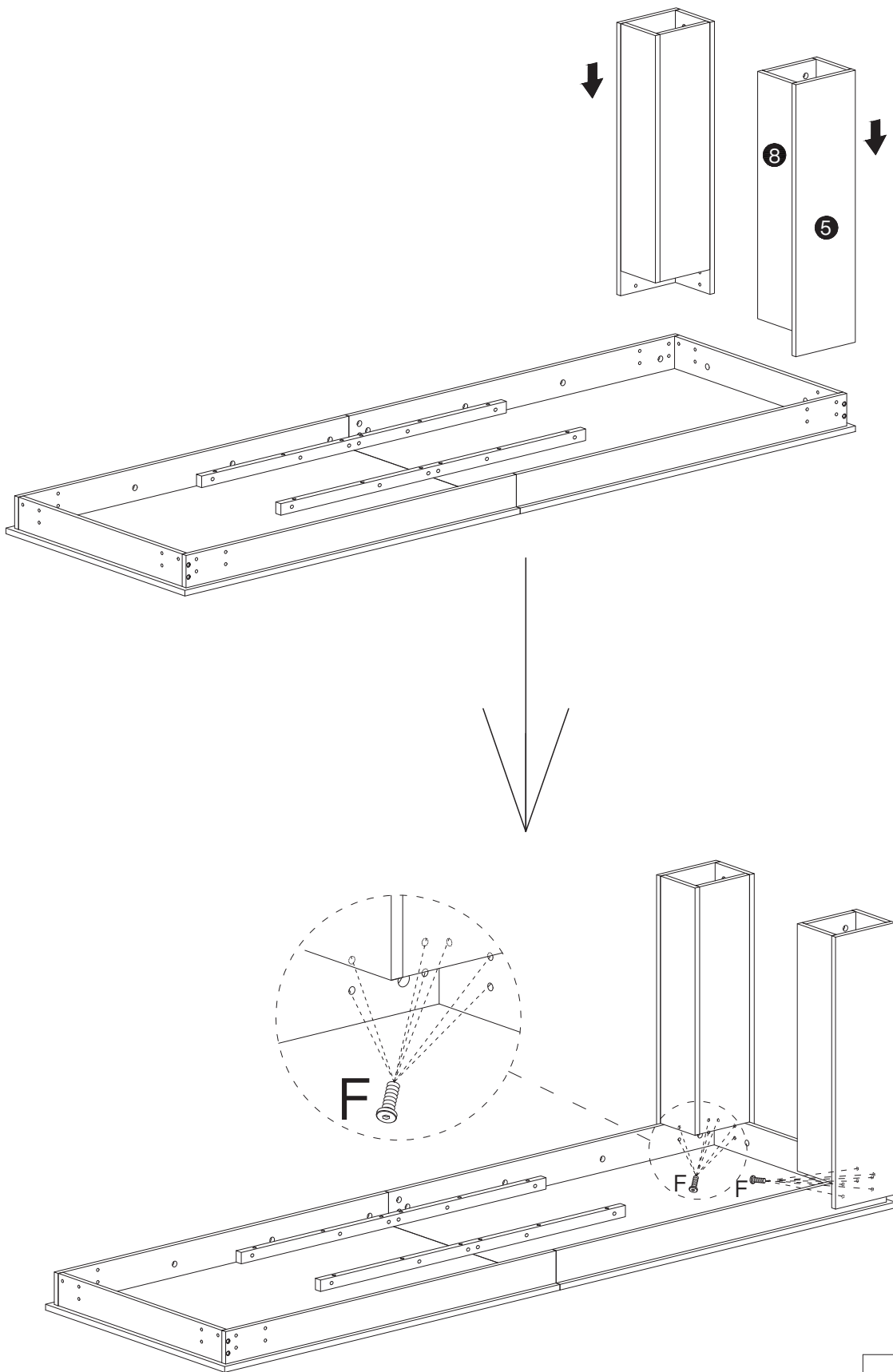



12

G

M6X30 mm
12 pcs

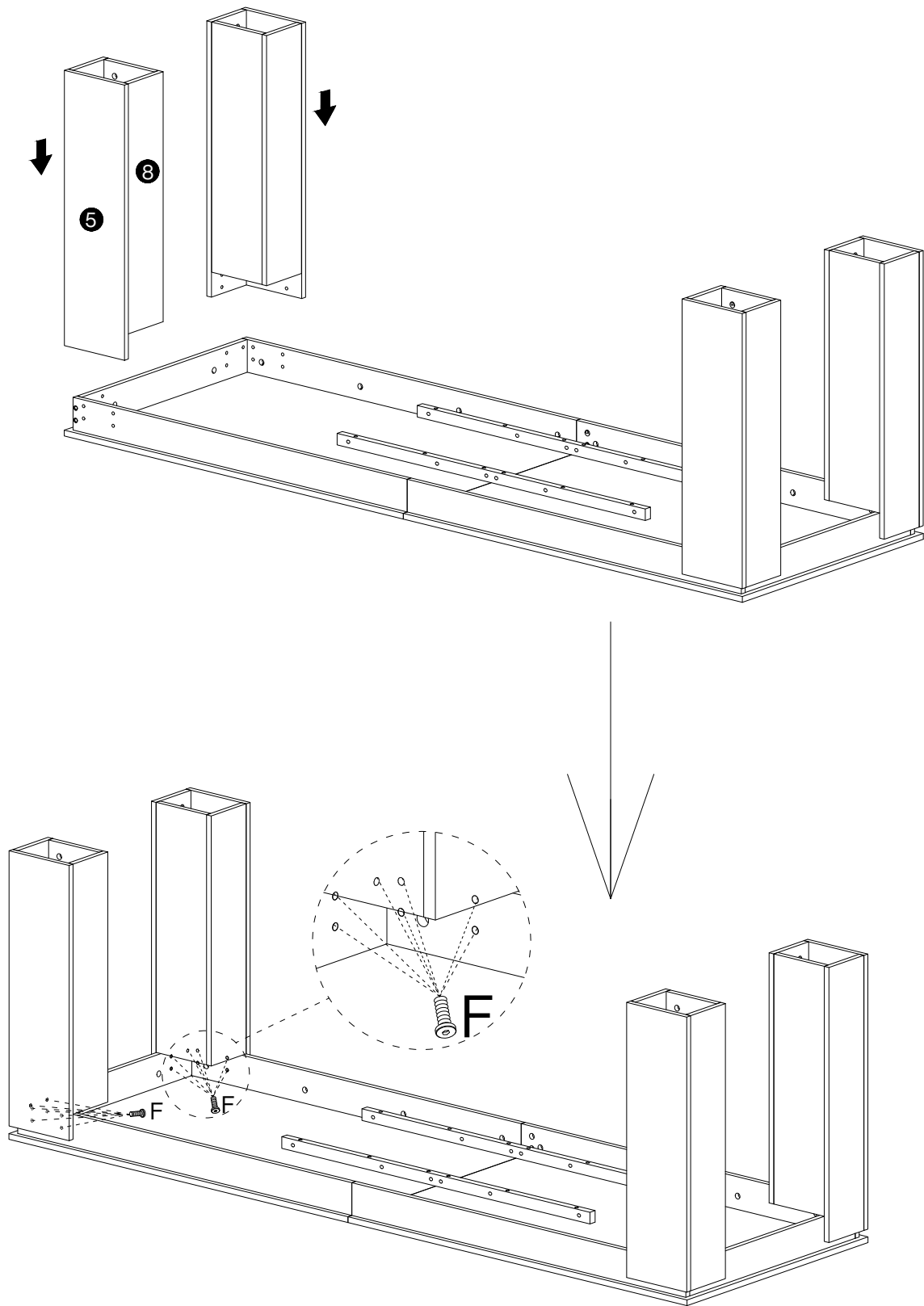


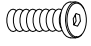
13



F

M6X25 mm
14 pcs

14



F

M6X25 mm
14 pcs

Thank you for your support!

