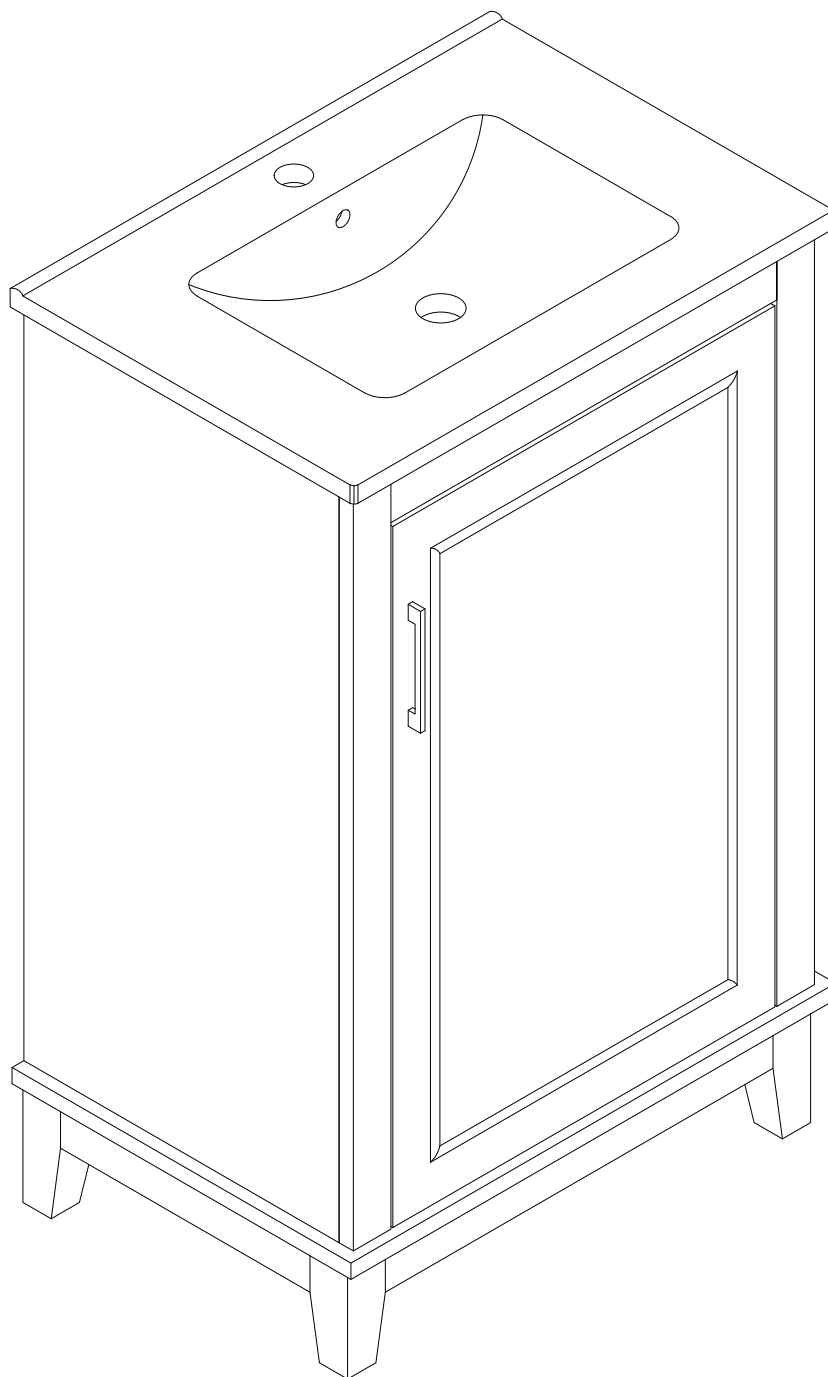
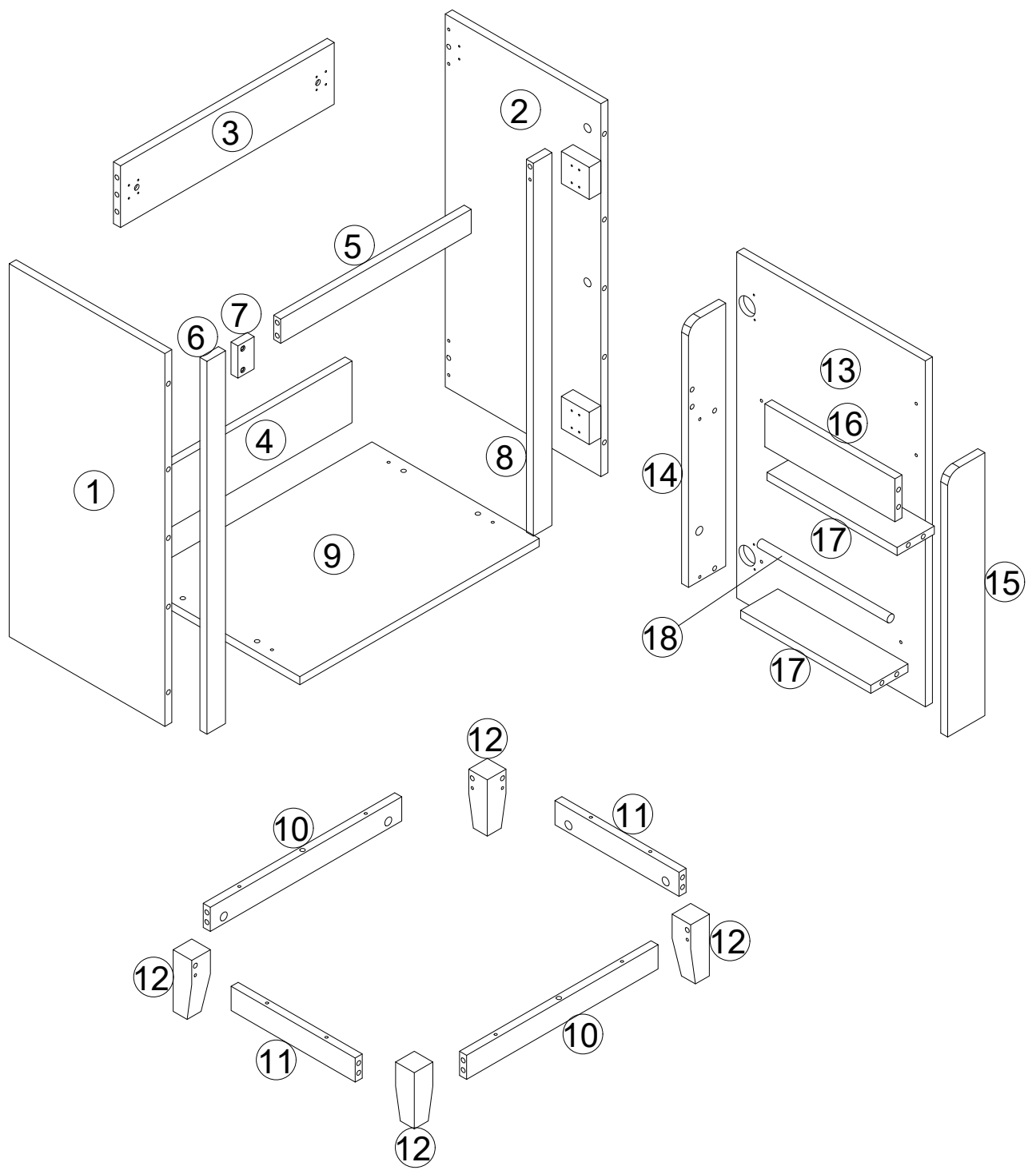
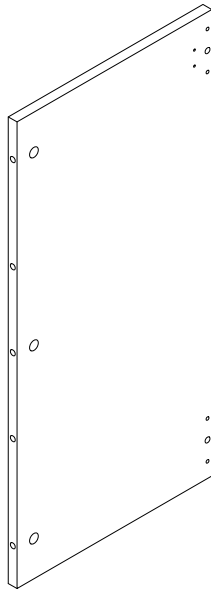


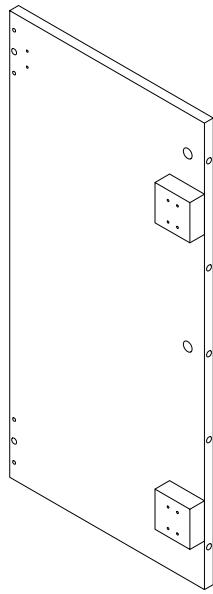
ASSEMBLY INSRTRUCTION BAUANLEITUNG



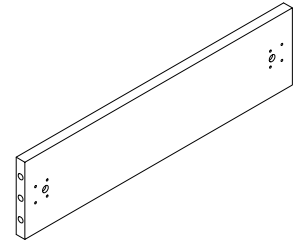




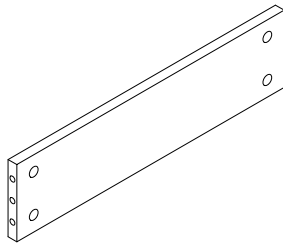
① x 1



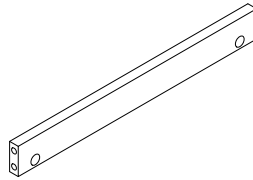
② x 1



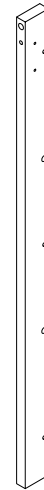
③ x 1



④ x 1



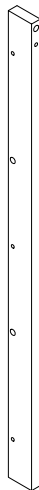
⑤ x 1



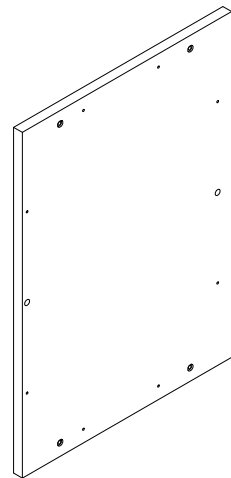
⑥ x 1



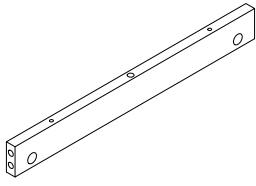
⑦ x 1



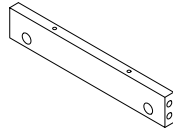
⑧ x 1



⑨ x 1



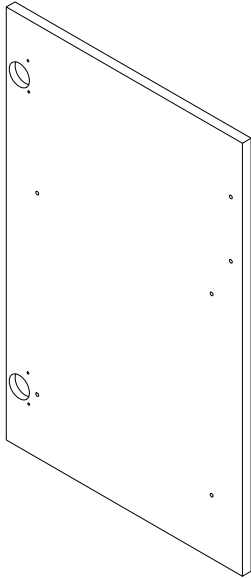
⑩ x 2



⑪ x 2



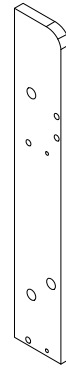
⑫ x 4



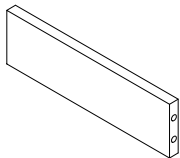
⑬ x 1



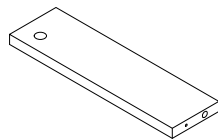
⑭ x 1



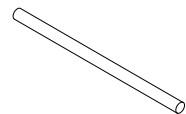
⑮ x 1



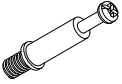



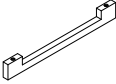

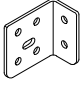



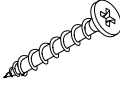
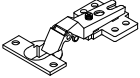


⑯ x 1



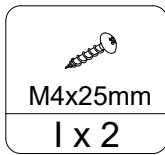
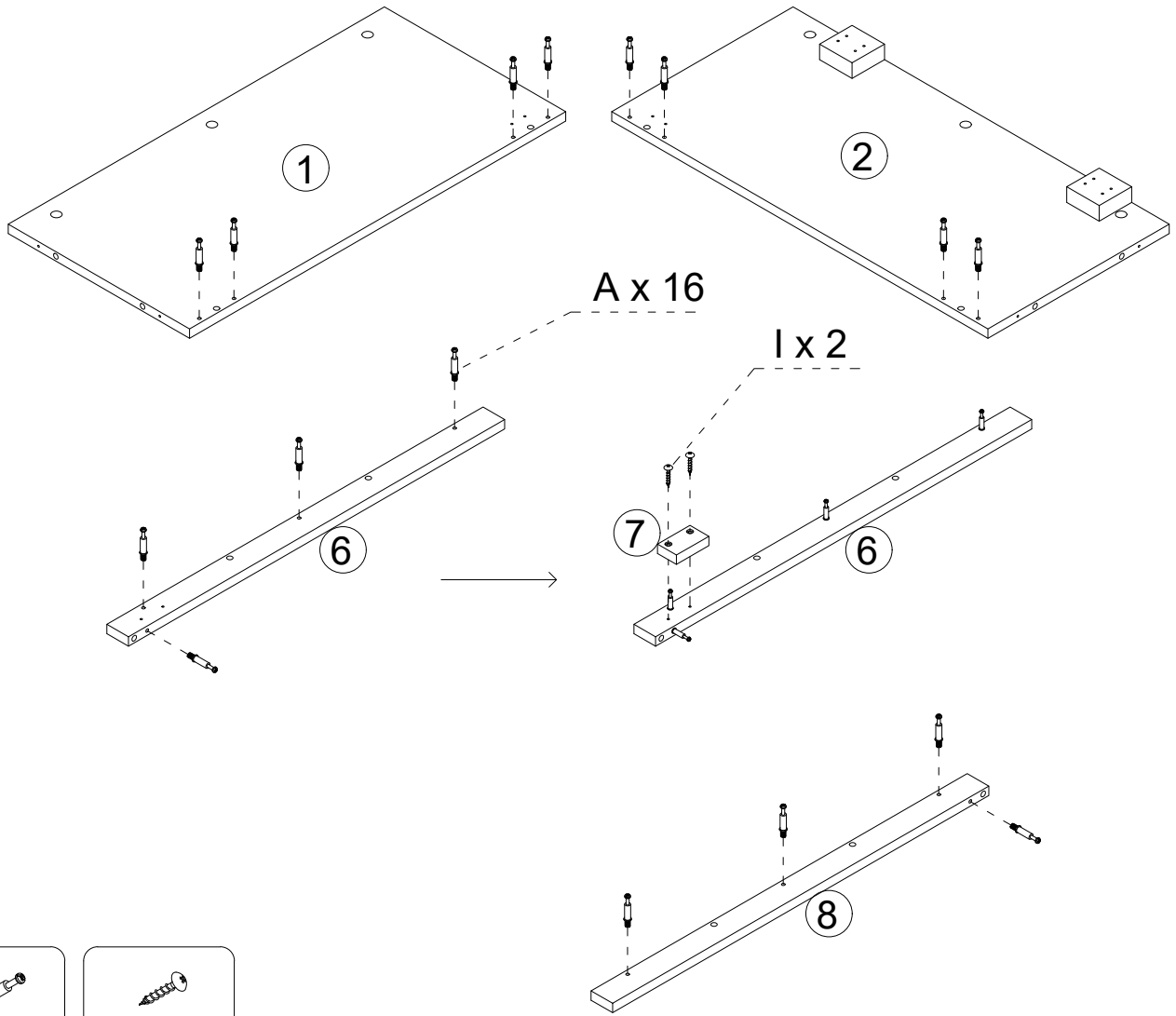
⑰ x 2



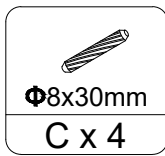
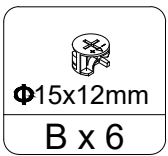
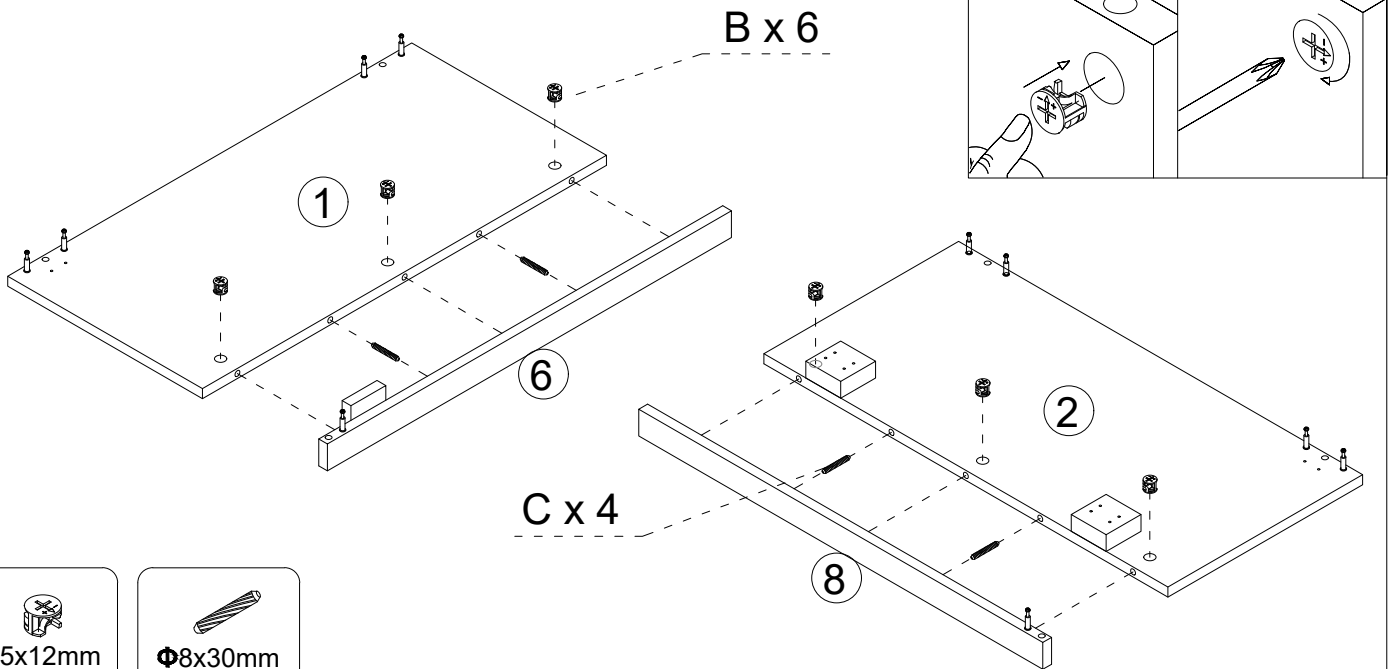
⑱ x 1

					
Φ6x35mm A x 30+2	Φ15x12mm B x 30+2	Φ8x30mm C x 32+2	M4x20mm D x 2	E x 1	M4x14mm F x 12+1
					
G x 2	M4x35mm H x 8	M4x25mm I x 2	M4x12mm J x 12+1	M4x35mm K x 6	L x 2
					
Φ8x40mm M x 2	M6x60mm N x 2				

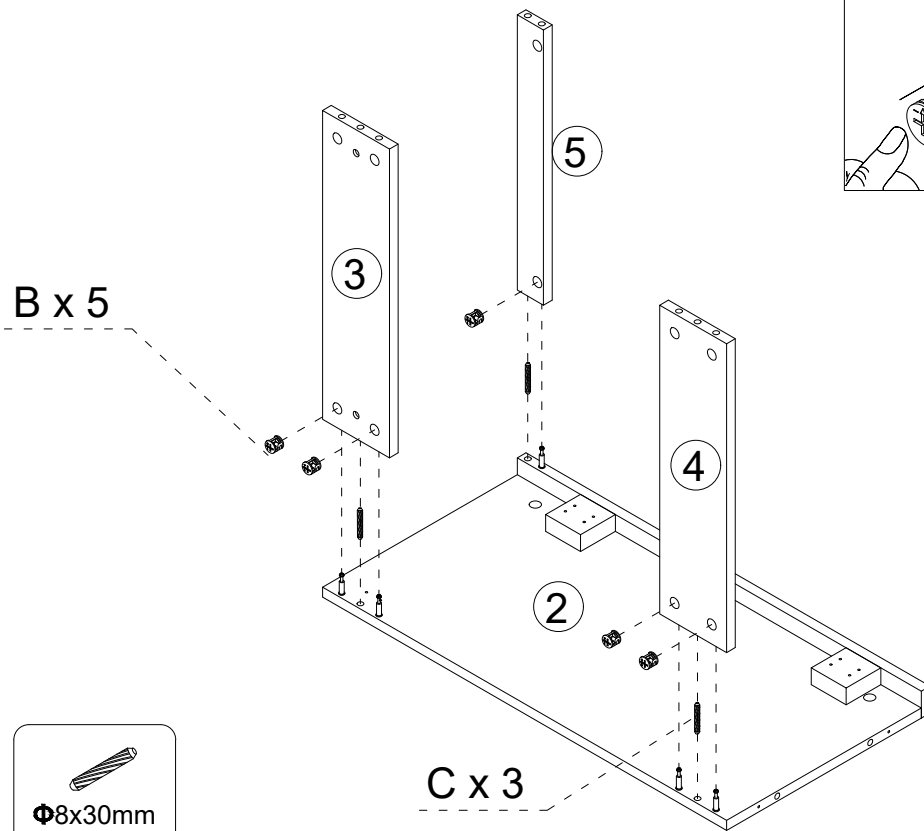
Step 1





Step 2



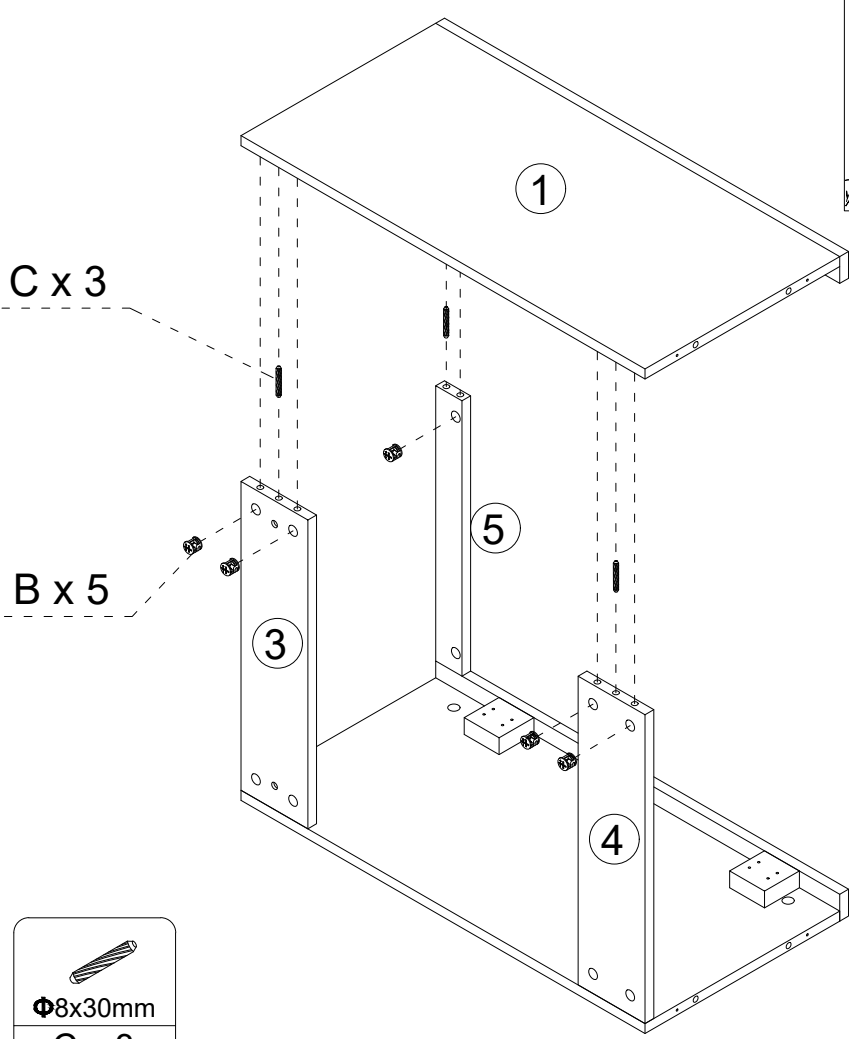
Step 3






$\Phi 15 \times 12 \text{mm}$
B x 5


$\Phi 8 \times 30 \text{mm}$
C x 3

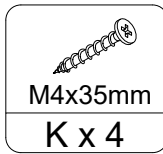
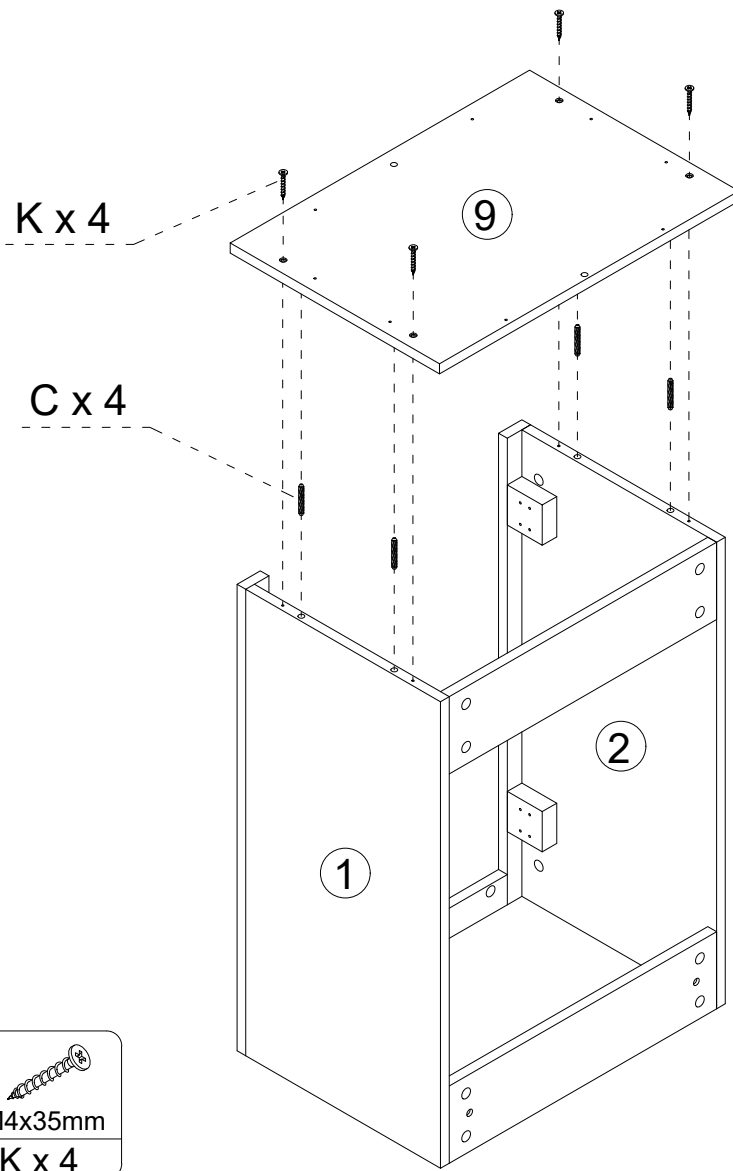
Step 4



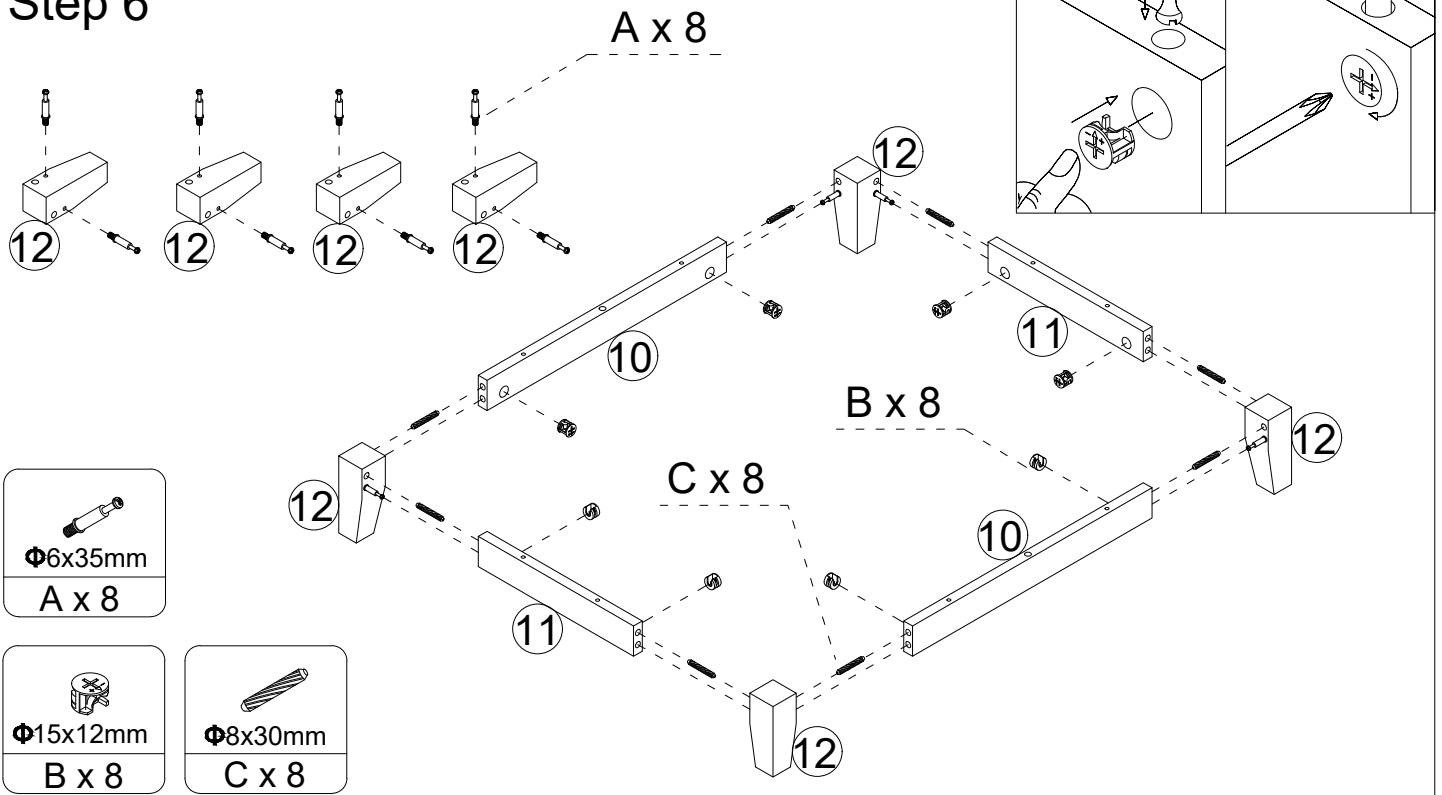

$\Phi 15 \times 12 \text{mm}$
B x 5


$\Phi 8 \times 30 \text{mm}$
C x 3

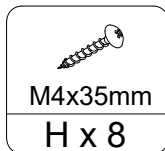
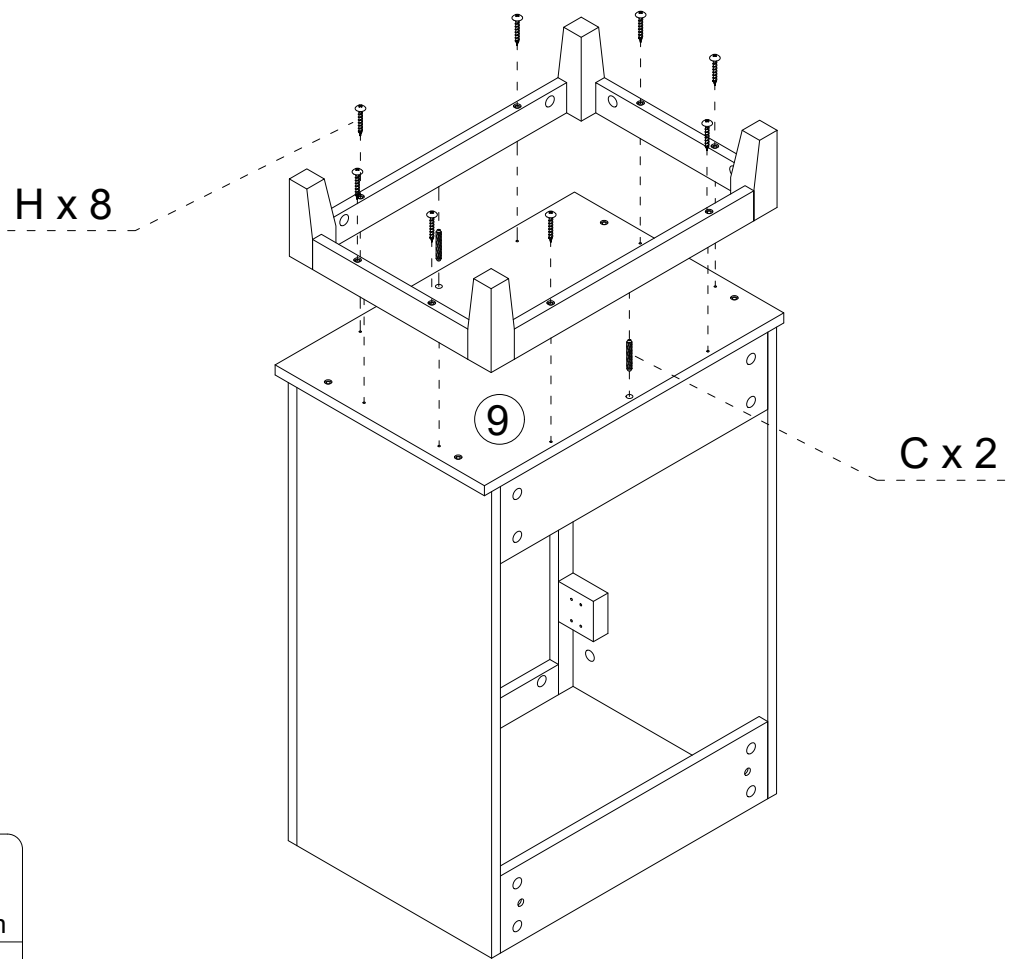
Step 5



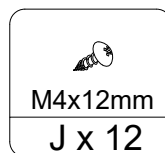
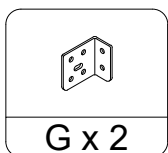
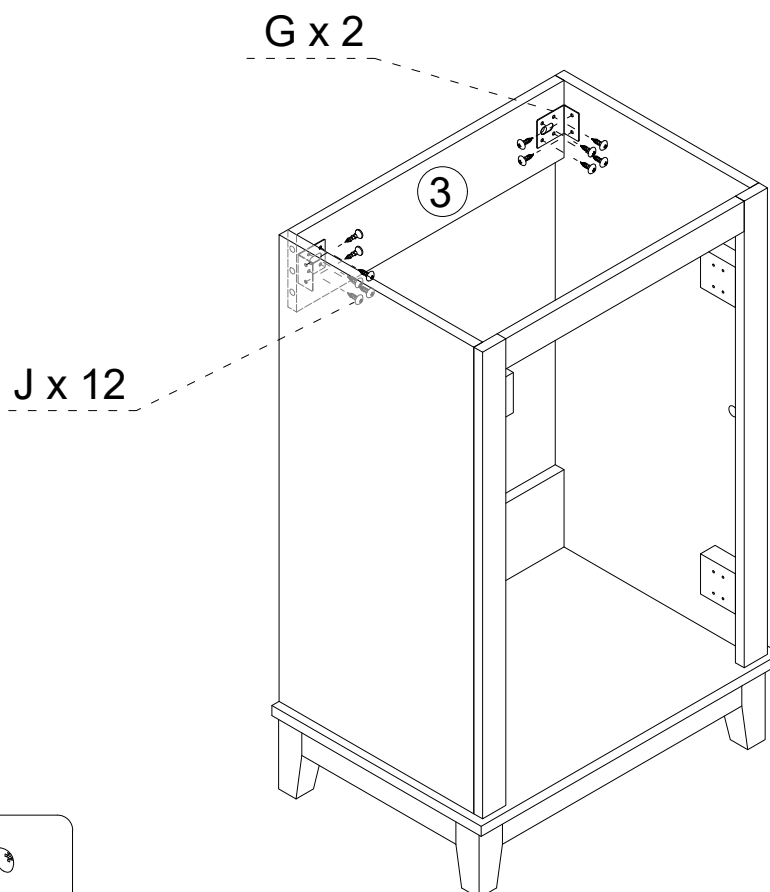
Step 6



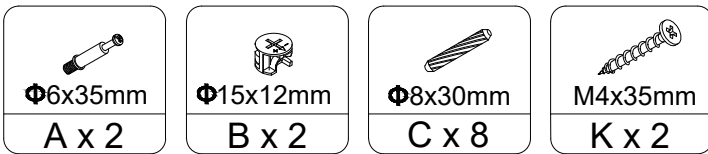
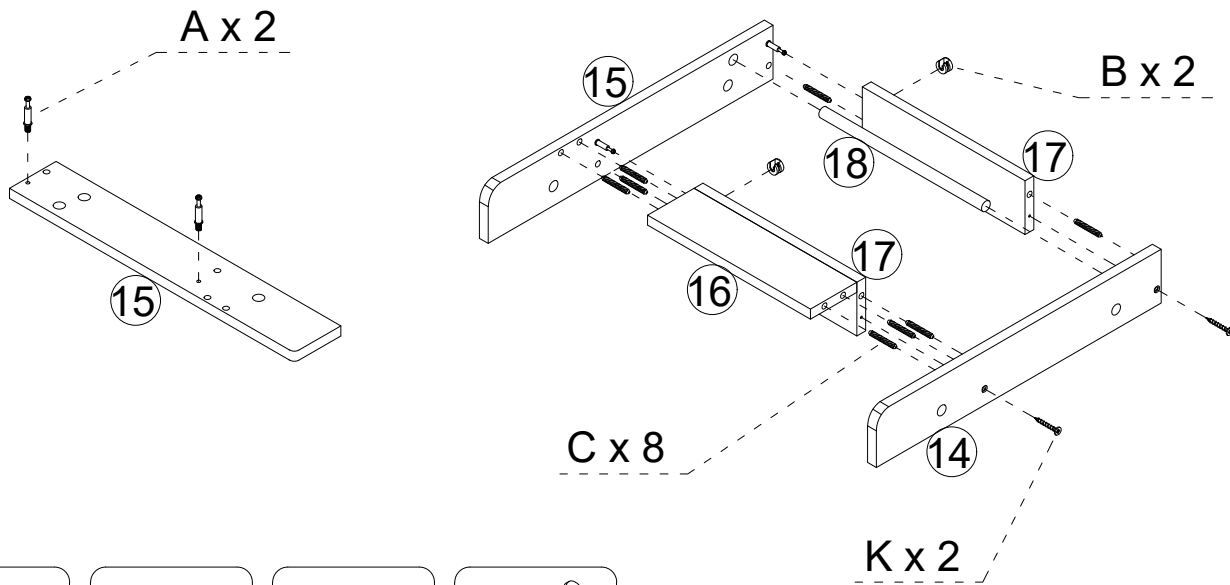
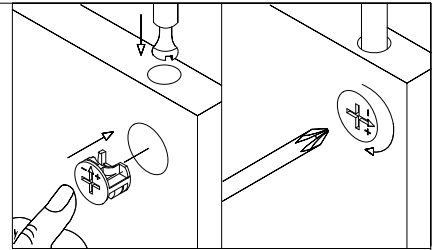
Step 7



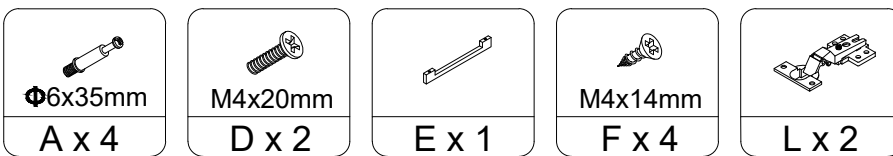
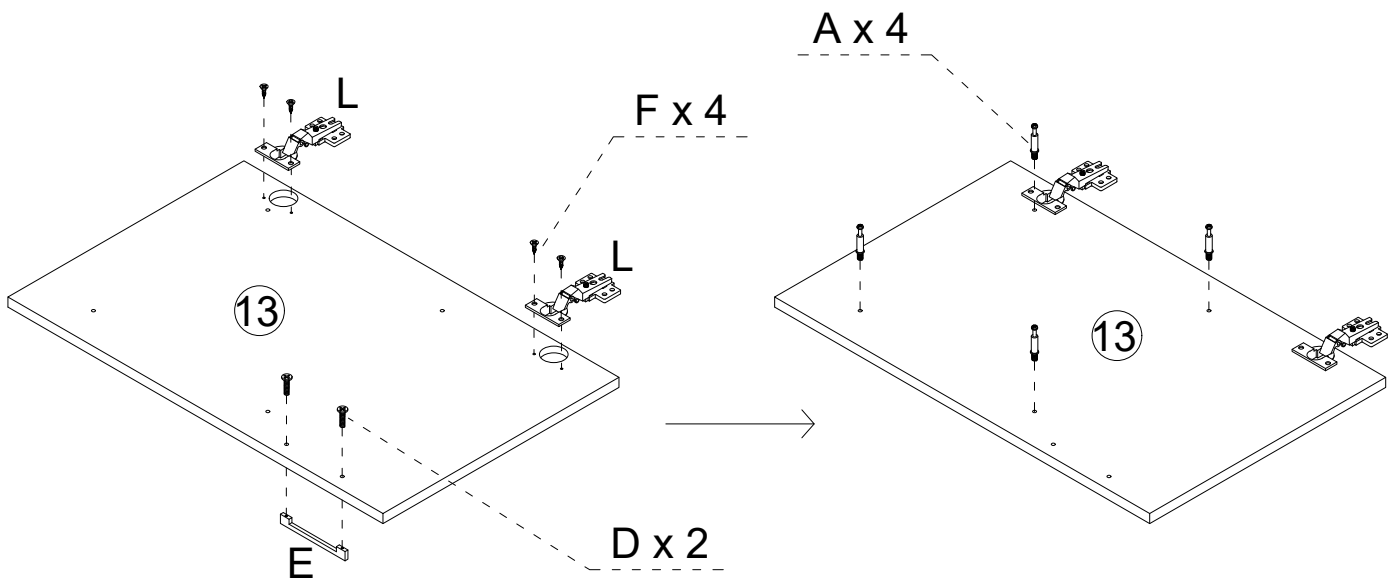
Step 8



Step 9

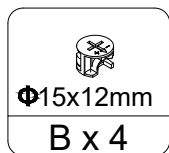
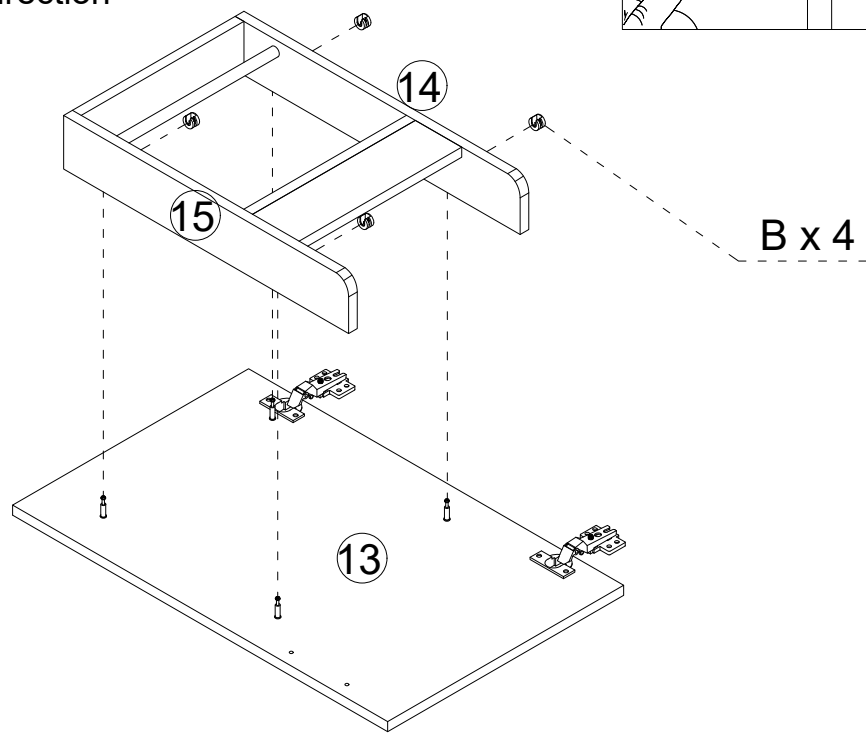


Step 10

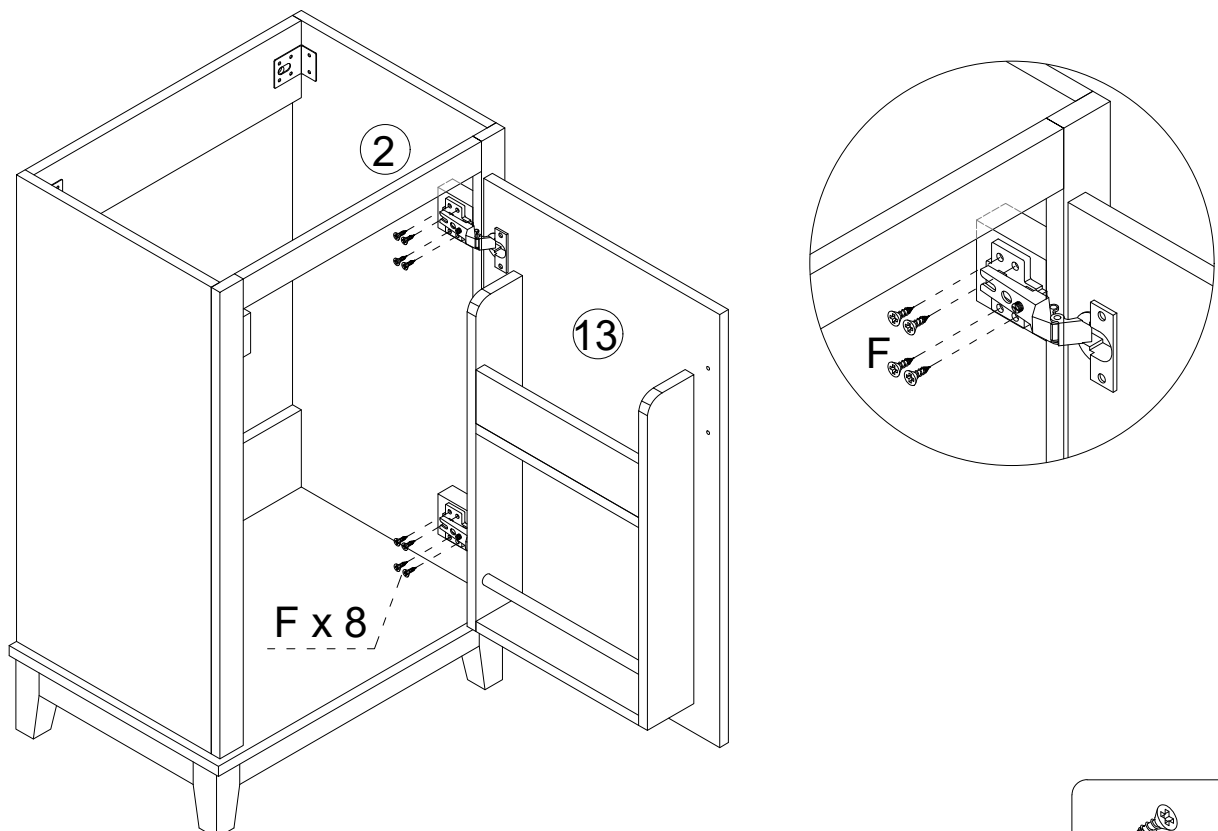


Step 11

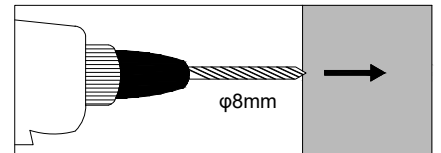
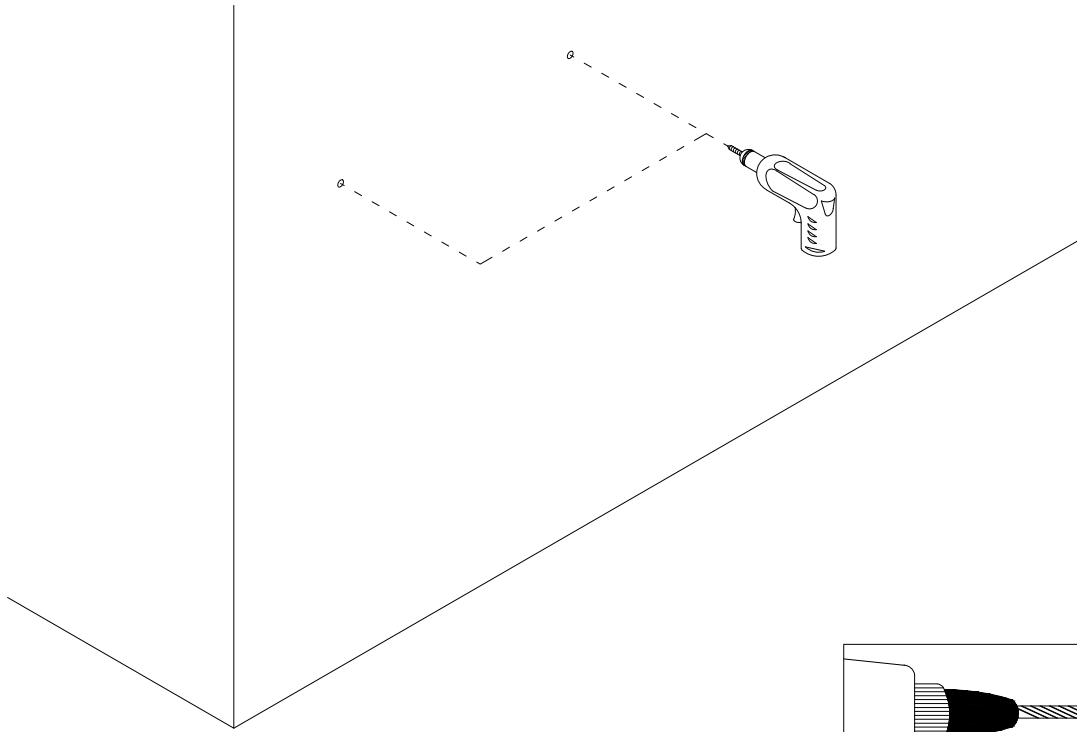
Pay attention to the direction



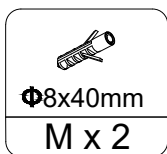
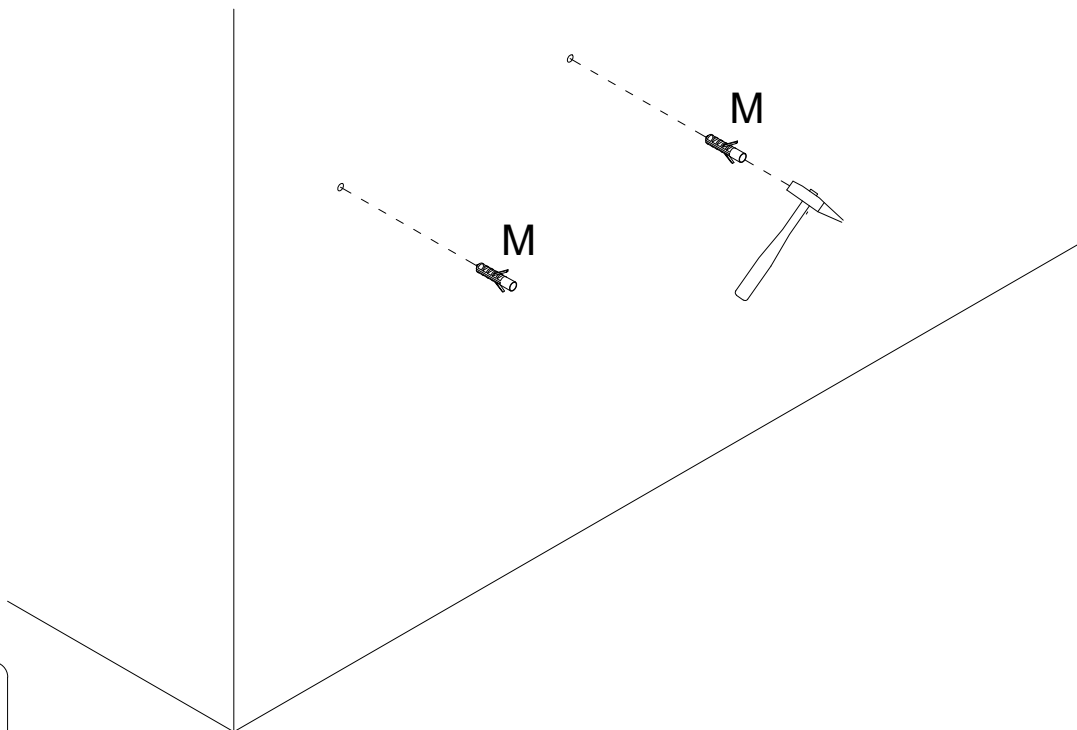
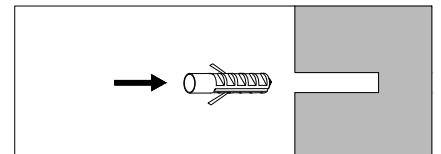
Step 12



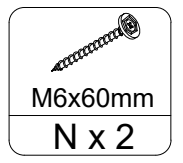
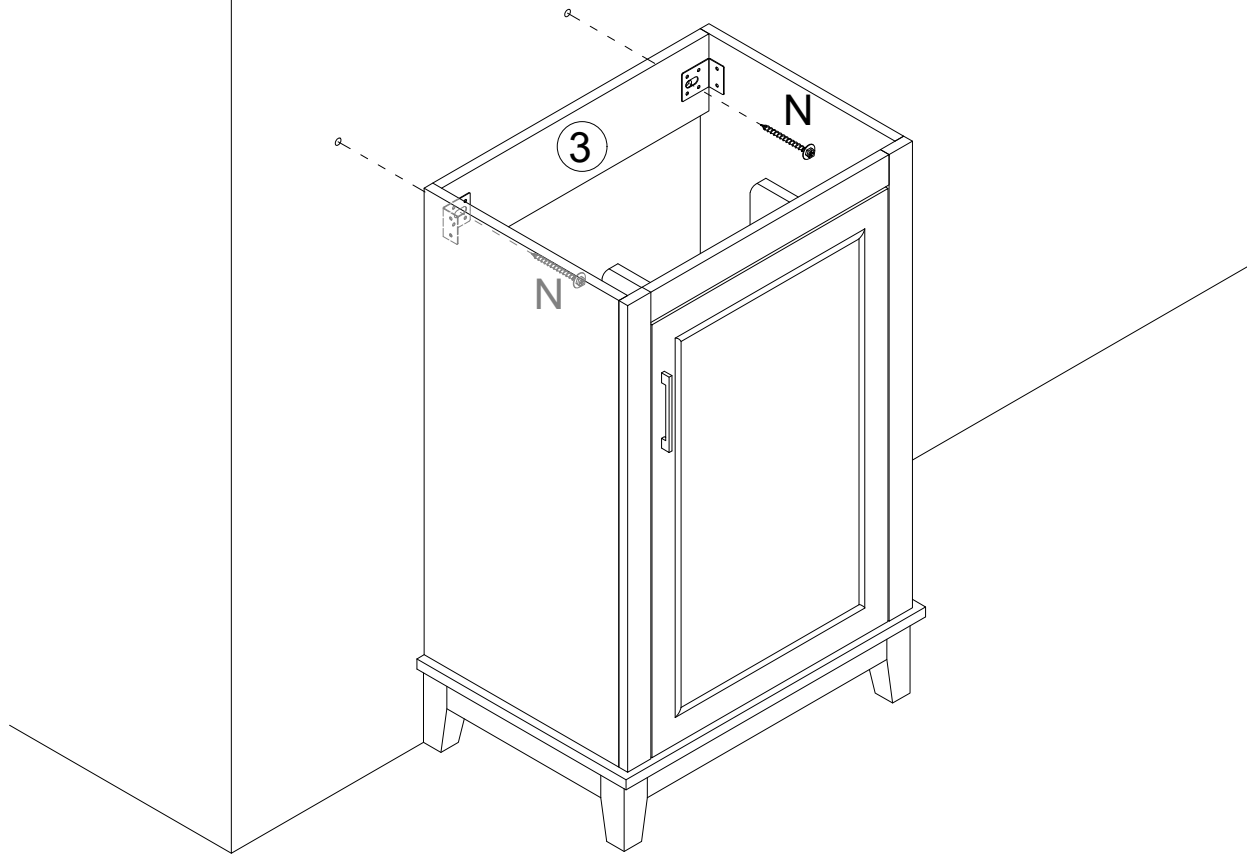
Step 13



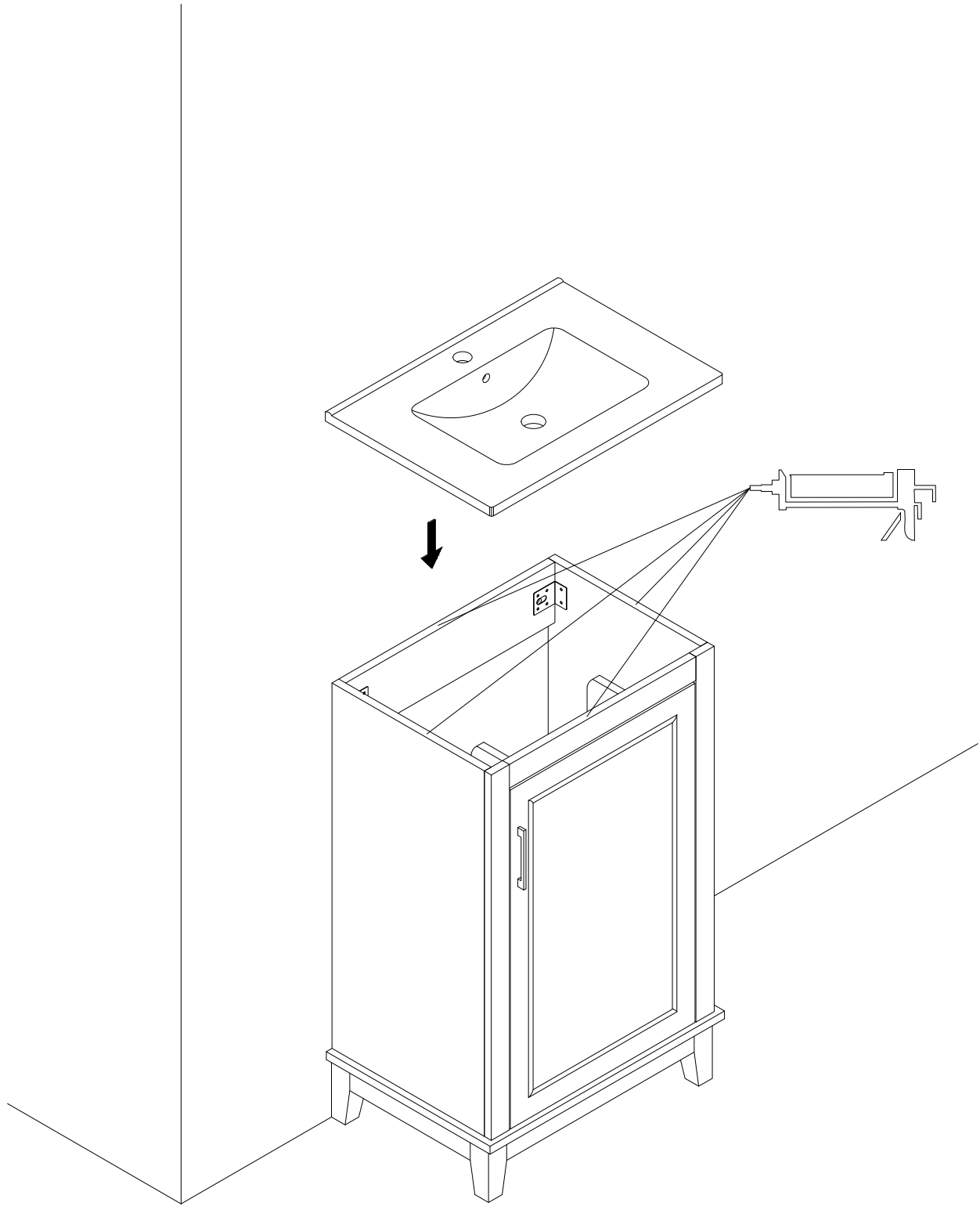
Step 14



Step 15



Step 16



Step 17

