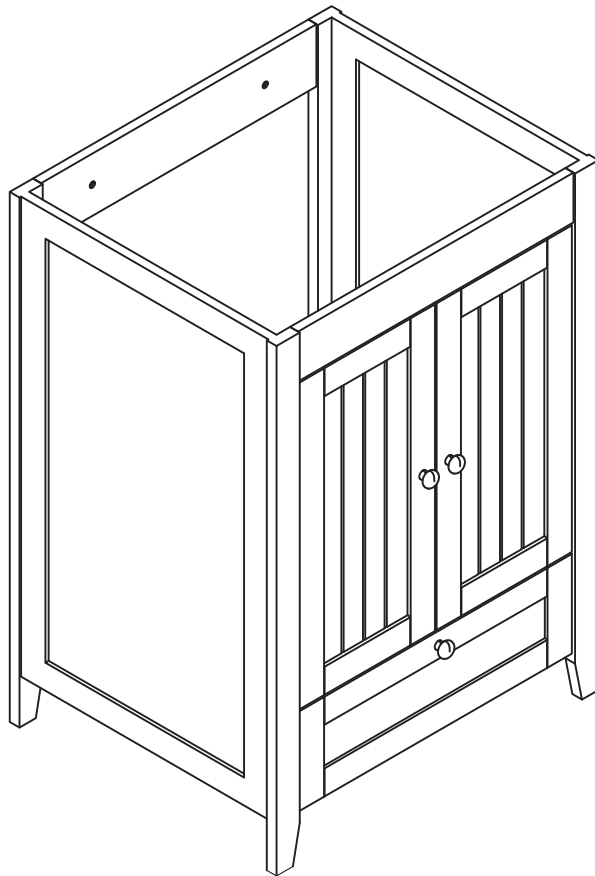




VINGLI NIGHTSTAND

ASSEMBLY INSTRUCTION



Thank you for purchasing from VINGLI!
Please contact us via email if parts are missing or damaged, we will gladly ship your replacement parts free of charge

⚠ IMPORTANT

THIS INSTRUCTION BOOKLET CONTAINS IMPORTANT SAFETY INFORMATION.
PLEASE READ AND KEEP FOR FUTURE REFERENCE.

RETURN & WARRANTY

Thank you for choosing our product!

We would like to take this opportunity to thank you for choosing VINGLI.

We hope that you are completely satisfied with your purchase, and enjoy it for years to come.

Your satisfaction is our highest pursuit.

Return policy

VINGLI believes you will absolutely love your furniture, but if for some reason you want to return the product, please contact us directly before you decide to return your product to the retailer. Our Customer Service organization can answer most concerns and can assist you with any questions you may have about your new product.

The item must be returned in good condition, in original box, with all original proof of purchase, parts and accessories, within the time frame specified by the retailer it was purchased from.

Warranty

VINGLI warrants this product to be free from defects in material and workmanship agrees to remedy any such defect. This warranty covers one year from the date of original purchase. This is solely limited to be repair or replacement of defective parts and no assembly labor is included.

This warranty does not apply to any product which has been improperly assembled, subjected to misuse or abuse or which has been altered or repaired in any way.

Components repaired or replaced warranted through the remainder of the original warranty period only. The defective components will be repaired or replaced without charge, subject to the terms and conditions described above.

For help with assembly, identifying parts, product information or to order parts, please contact us freely.

BEFORE STARTING

Before Using Product



- Read each step carefully before starting. It is very important that each step is performed in the correct order. If these steps are not followed in sequence, assembly difficulties will occur.



- Make sure all parts are included. Most board parts are labeled or stamped on the raw edge.

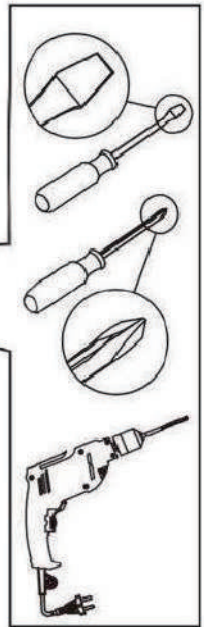
- Prepare a flat and Philips screwdriver (not included)
A Power Screwdriver is recommended.



- Work in a spacious area and near where the unit will be used, preferably on a carpet, or use a piece of the cardboard packaging to protect your floor and product.



- For a smooth assembly process, we suggest you keep a lite tightness for all the screws during assembly. After the whole product is assembled, firmly tighten all the screws.



Estimated Time for Assembly

1.5-2.5 hours



Estimated People for Assembly

2

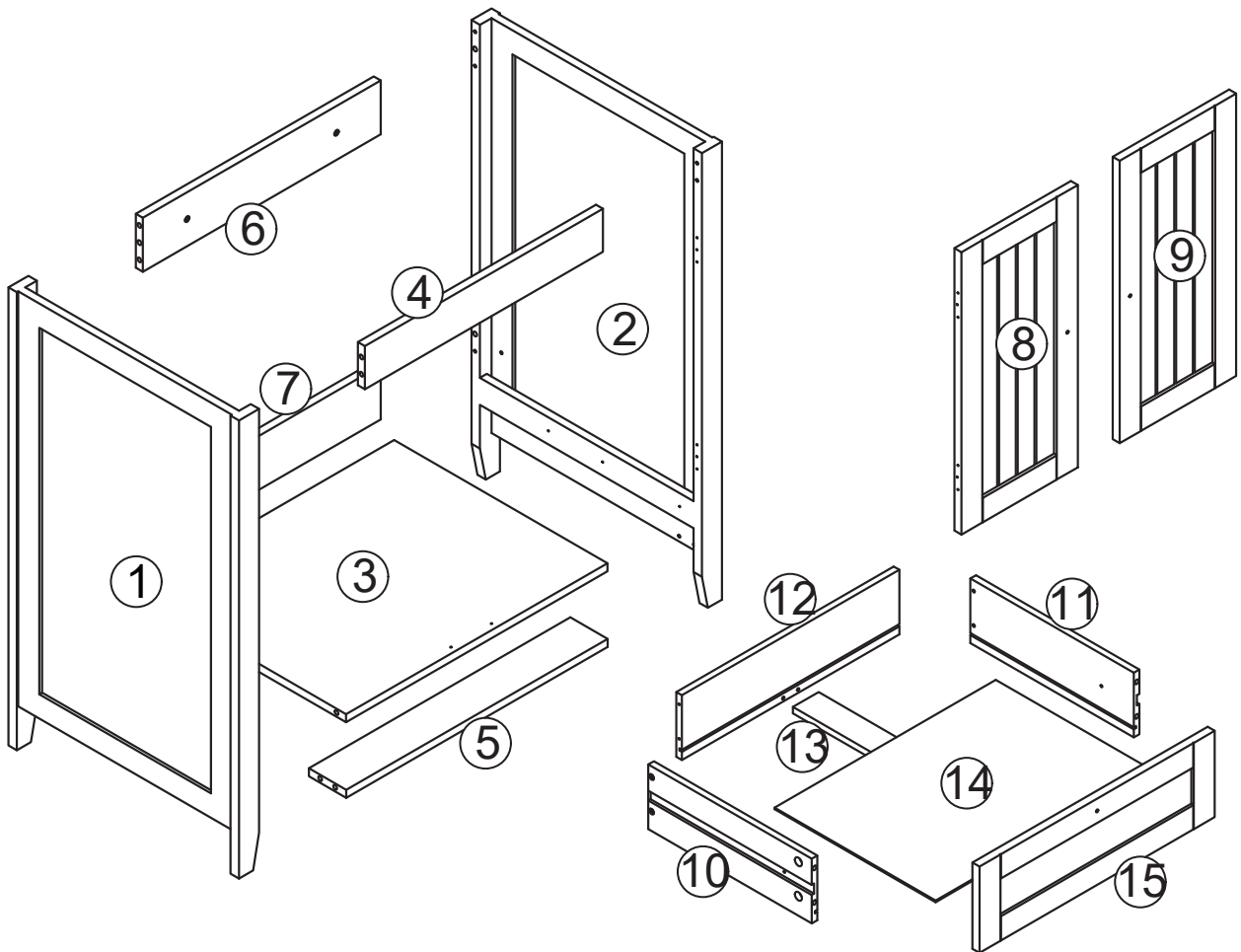


WARNING:

- Do not allow children to climb on unit
- Serious or fatal crushing injuries can occur from furniture tip-over. To prevent this furniture from tipping over, it must be permanently fixed to the wall. Fixing devices for the wall are not included since different wall materials require different types of fixing devices. Use fixing devices suitable for the walls in your home. For advice on suitable fixing systems, contact your local specialized dealer
- Avoid sharp objects or corrosive chemicals to prevent damage to the product
- During assembly, keep parts and packaging materials away from children and pets as there could be potential injury and choking hazards

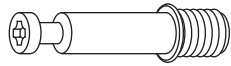
IDENTIFY PARTS

One unit



COMPONENTS

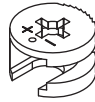
A



Φ6X35mm

Cam Bolt x25

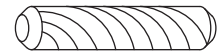
B



Φ15X9mm

Cam Lock x25

C



Φ6X30mm

Wood Dowel x4

D



Φ4X30mm

Screw x6

E



Φ3X12mm

Screw x8

F



Φ3X14mm

Screw x26

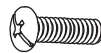
G



M4X16mm

Screw x3

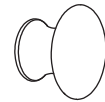
H



M4X10mm

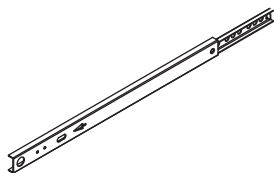
Screw x2

I



Handle x3

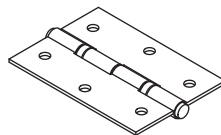
J



340mmL

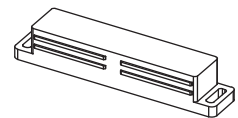
Drawer Slide x2

K



Hinge x4

L



Magnet Latch x1

M



Washer x2

N



Plastic Anchor x1

O

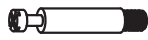


Φ4X40mm

Screw x2

ASSEMBLY STEPS

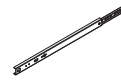
A x 20



E x 6



J x 2

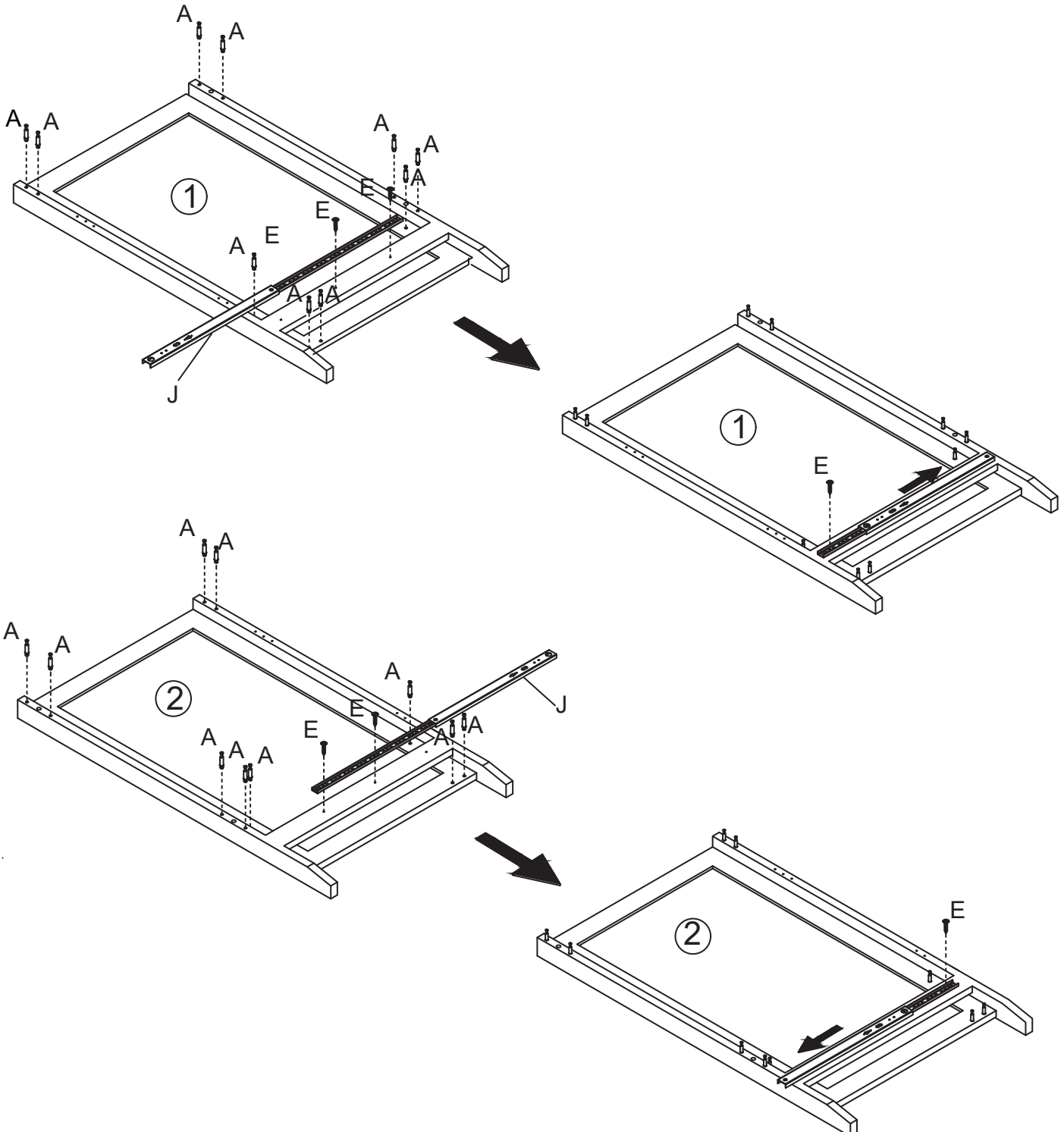


STEP 1

*Pay attention to the orientation of drawer slide (J)

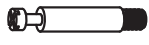
1. Fix the cam bolt (A) into the panels (1) and (2).

2. Install the drawer slide (J) onto panels (1) and (2) with screw (E)



ASSEMBLY STEPS

A x 5



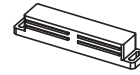
E x 2



F x 2



L x 1



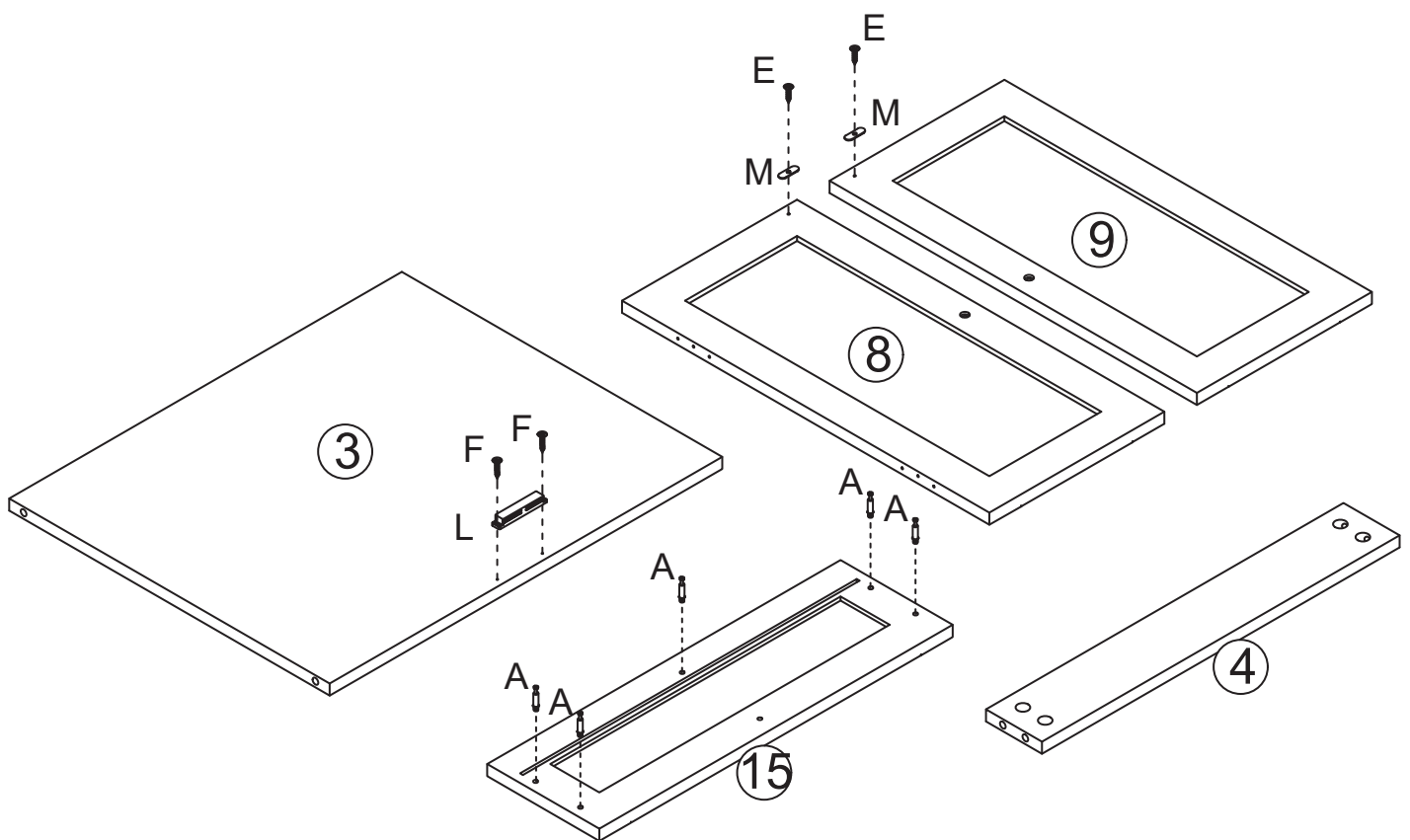
M x 2



STEP 2

*Pay attention to the different dimensions of accessories (E) and (F).

1. Fix the washer (M) on the panels (8) and (9) with short screw (E).
2. Fix the magnet latch (L) on the panel (3) with long screw (F).
3. Fix the cam bolt (A) into the panels (15).



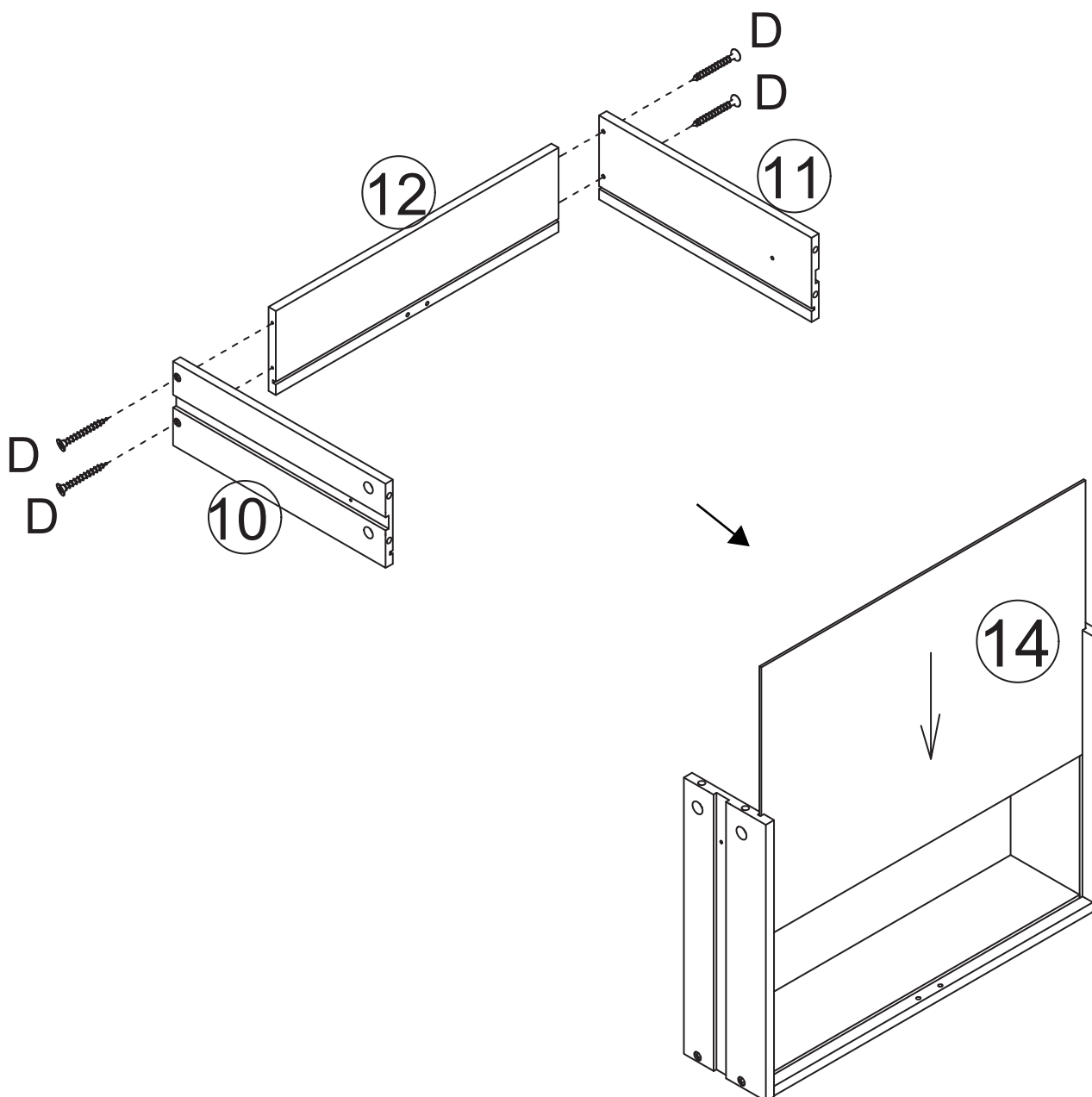
ASSEMBLY STEPS

D x 6



STEP 3

1. Connect panels (10), (11) and (12) with screw (D).
2. Insert panel (14) into the assembled drawer (STEP3) along the groove.



ASSEMBLY STEPS

B x 5



D x 2



G x 1

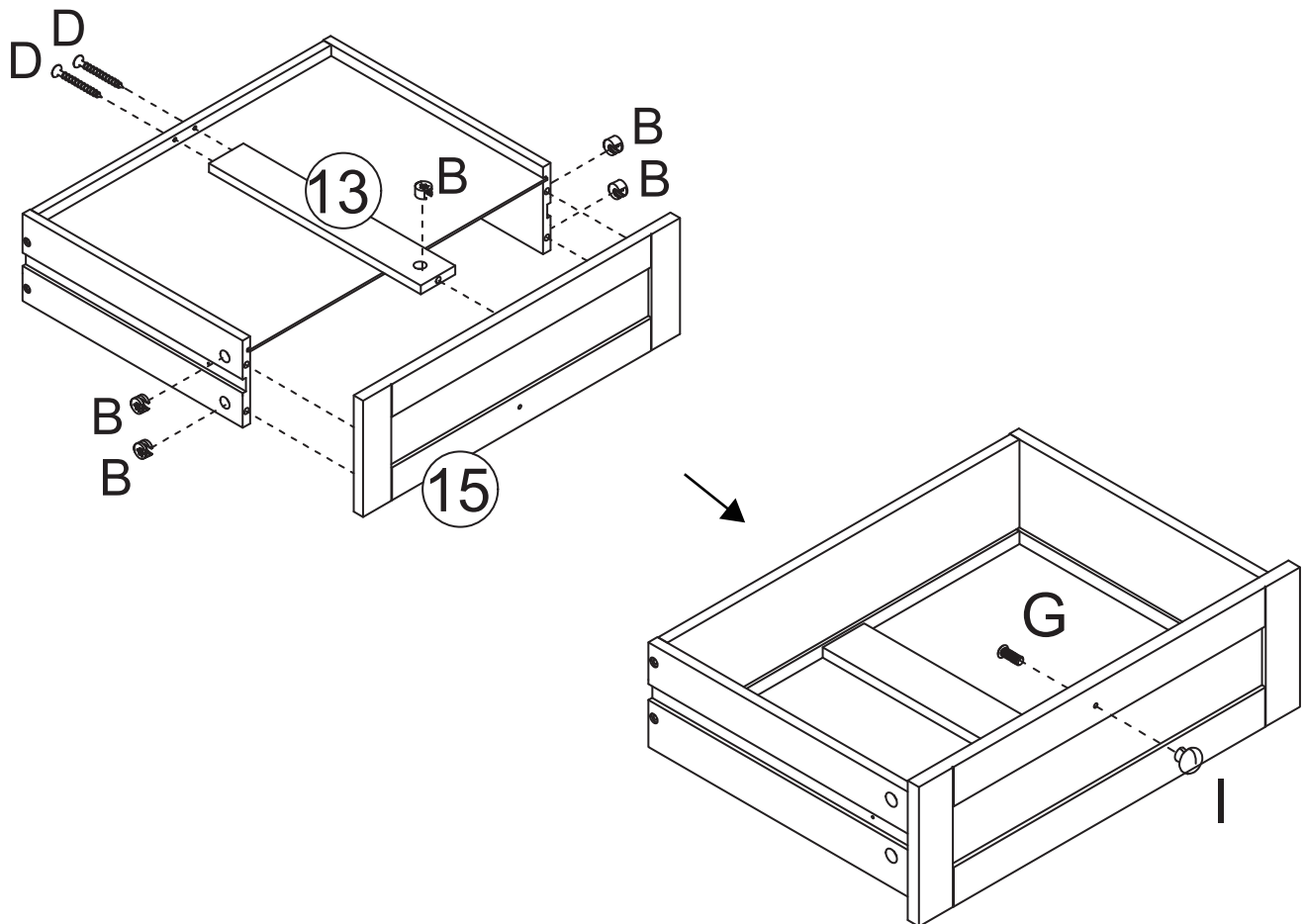


I x 1

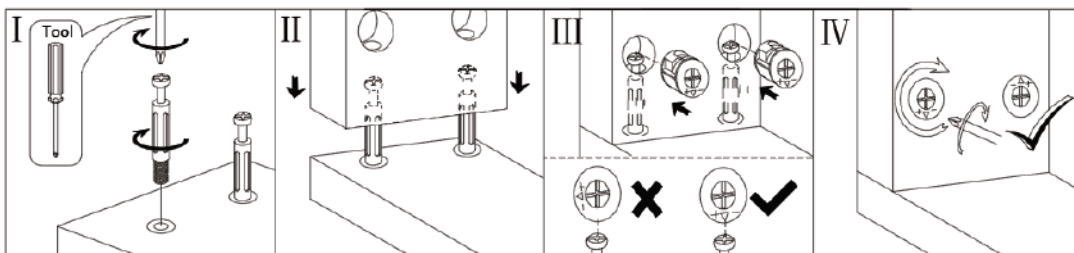


STEP 4

1. Connect panel (13) to the assembled drawer (STEP3) with screw (D).
2. Connect panel (15) to the assembled drawer (STEP4), and tighten and fix them with cam lock (B).



"A & B" Hardware installation example



ASSEMBLY STEPS

B x 10



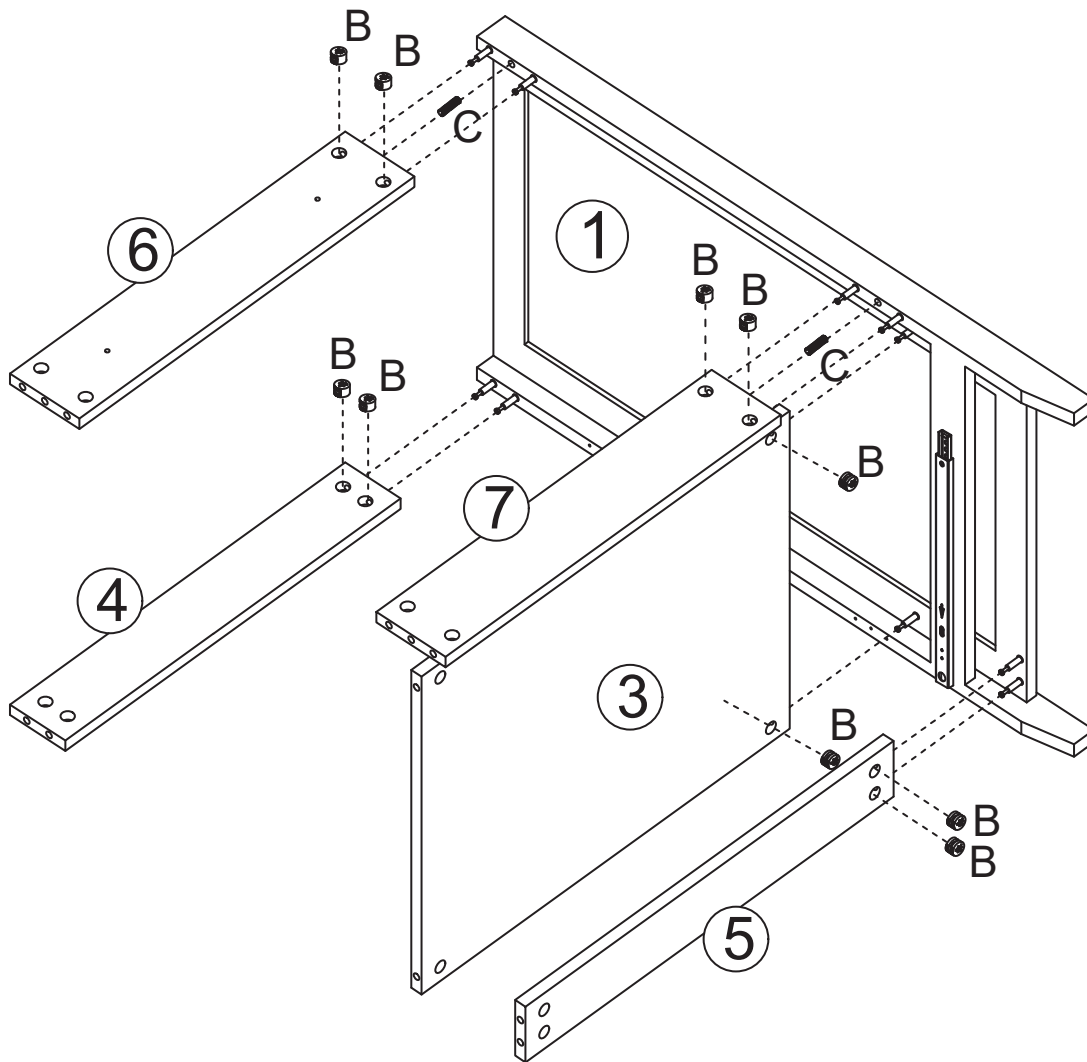
C x 2



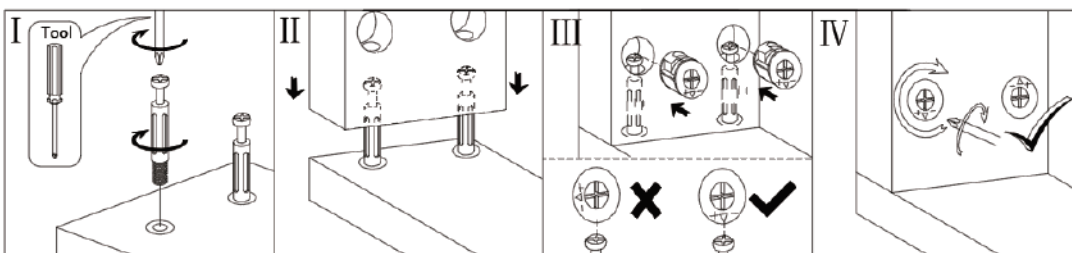
STEP 5

*Please note: There are "+" and "-" symbols on cam lock (B).

Connect panel (1) with panels (3) and (4), (5), (6), (7) respectively using the wood dowel (C).



"A & B" Hardware installation example



ASSEMBLY STEPS

B x 10

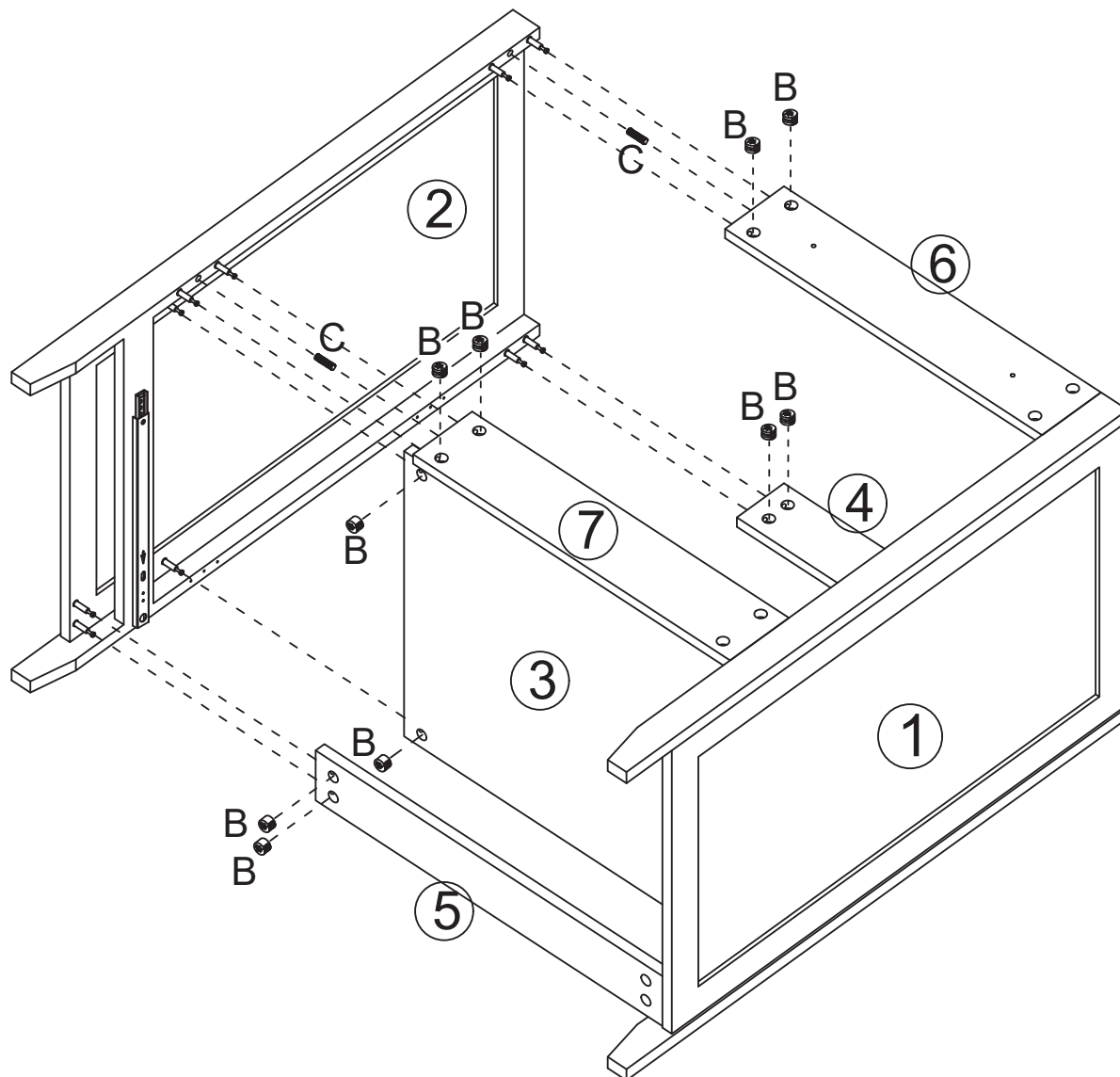


C x 2

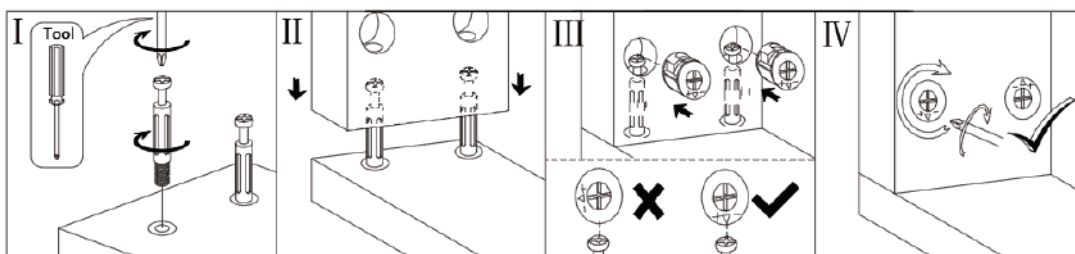


STEP 6

1. Connect the panels (2) and (6), (7) with the wood dowel (C), and then tighten and fix them with the cam lock (B)
2. Connect panel (2) to the already assembled frame (1), and tighten and fix them with cam lock (B).



"A & B" Hardware installation example



ASSEMBLY STEPS

F x 24



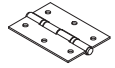
G x 2



I x 2

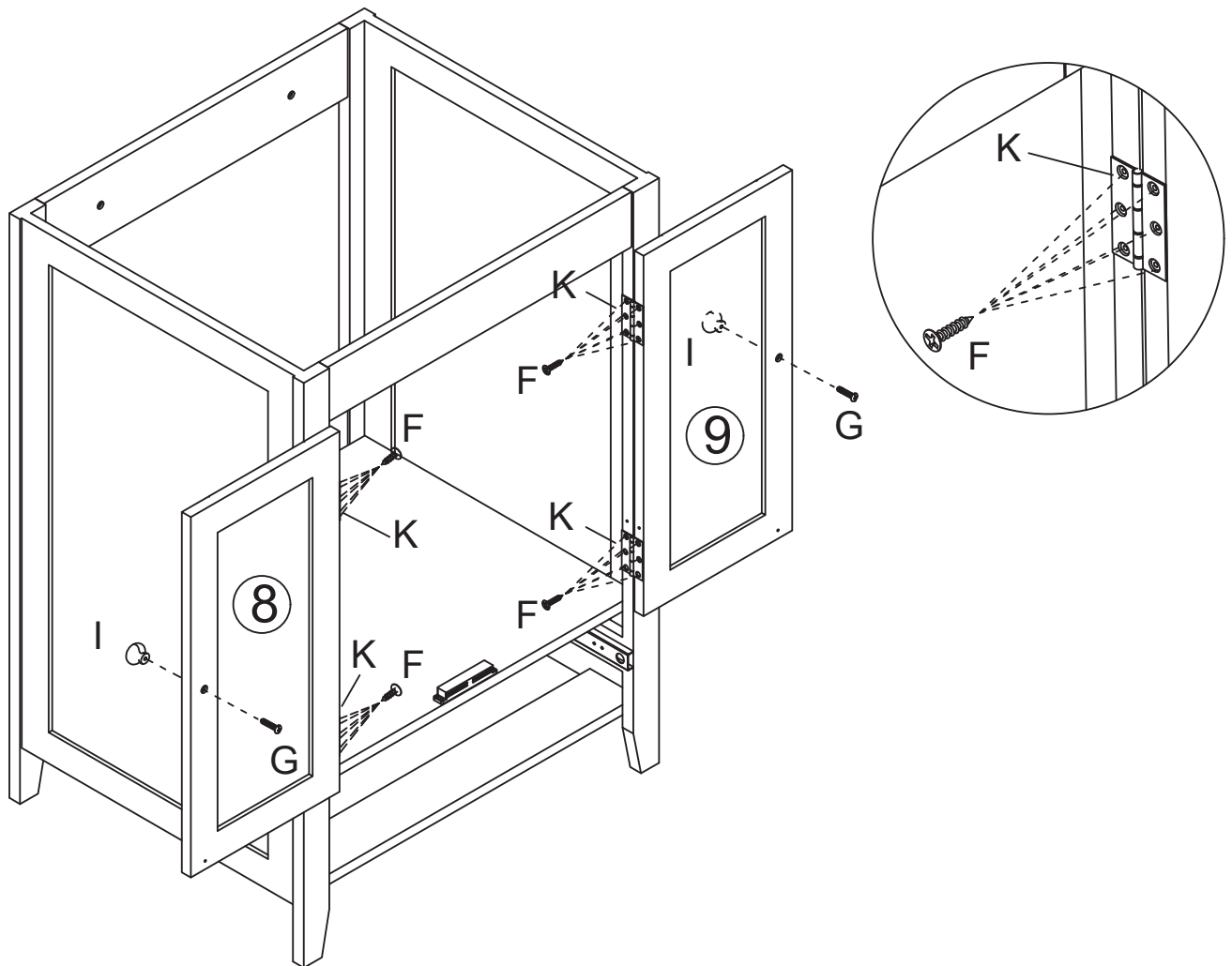


K x 4



STEP 7

Fix the hinge (K) with the screw (F) and connect it to panels (8) and (9) as well as the assembled cabinet.



ASSEMBLY STEPS

H x 2



N x 2

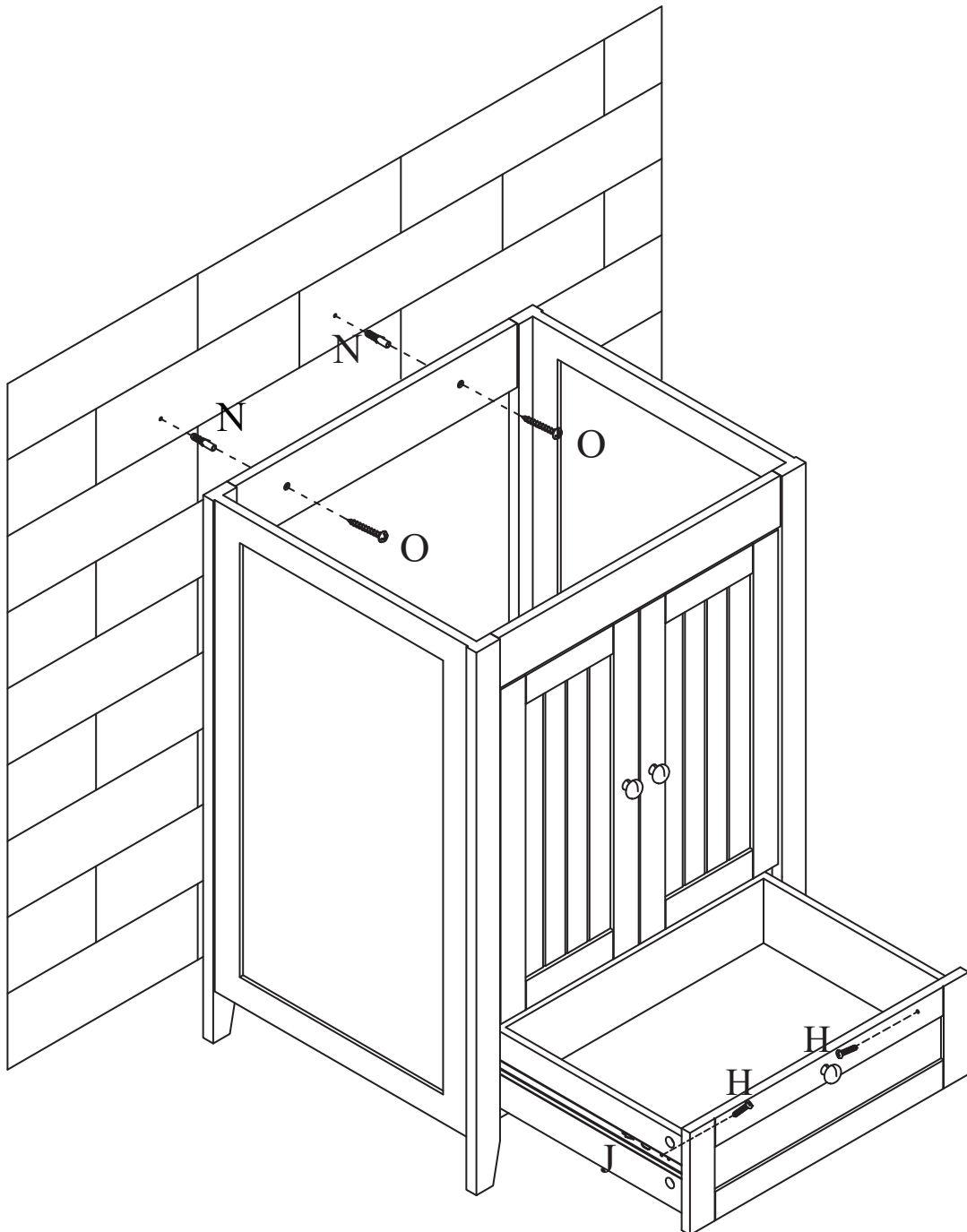


O x 2



STEP 8

1. Pass the screw (H) through the hole and connect it to the drawer slide (J).
2. First, drill a hole in the wall and embed the plastic anchor (N), then use screw (O) to fix it on the wall.



1. What should I do when I received a defected item?

Please feel free to contact VINGLI customer service via the link where you purchased this item with your order ID, pictures of the defective areas to us. We are eager to help you to make it right.

2. Is it easy to put the screws to the panels?

Yes. As long as you follow the instruction and use the correct screws and put it in correct holes, it is easy to screw it into pre-drilled holes.

3. What should I do if I have a problem with the drawers not closing flush?

The problem with the drawers not closing flush is usually caused by the assembly of the drawer slides. Here are the solutions as below:

1) Please check whether the slide rail is damaged, for example, the ball of the slide rail has fallen out, if so, please ask us for replacements of the drawer slides;

2) Refer to the assembly manual to check if the holes for the slide rail are assembled correctly. If there is no problem with the assembly, but the slide rail is stuck in the process of pushing in, please release the entire drawer as you did the first time you removed the drawer slides, and then push it back in again.

Any query, please contact us directly.

Supplementary Instructions for Safe Use

English

WARNING



Children have died from furniture tipover. To reduce the risk of furniture tipover:

- ALWAYS install tipover restraint provided.
- NEVER put a TV on this product.
- NEVER allow children to stand, climb or hang on drawers, doors, or shelves.
- NEVER open more than one drawer at a time.
- Place heaviest items in the lowest drawers.
- Do not defeat or remove the drawer interlock system.

This is a permanent label.

Do not remove!

French

ATTENTION



Des enfants sont morts du basculement des meubles. Pour réduire le risque de basculement des meubles:

- TOUJOURS installer la retenue de basculement fournie.
- NE JAMAIS mettre de téléviseur sur ce produit.
- NE JAMAIS permettre aux enfants de se tenir debout, de grimper, ou de s'accrocher à des tiroirs, des portes ou des étagères.
- N'ouvrez JAMAIS plus d'un tiroir à la fois.
- Placez les objets les plus lourds dans les tiroirs les plus bas.
- Ne désactivez pas et ne retirez pas le système de verrouillage du tiroir.

Ceci est une étiquette permanente.

Ne pas enlever!

German

WARNUNG



Kinder sind an einem Möbelkipp gestorben. So verringern Sie das Risiko eines Umkippens von Möbeln:

- Installieren Sie **IMMER** die mitgelieferte Kipprückhaltevorrichtung.
- Stellen Sie **NIEMALS** einen Fernseher an dieses Produkt.
- Lassen Sie Kinder **NIEMALS** an Schubladen, Türen oder Regalen stehen klettern oder hängen.
- Öffnen Sie **NIEMALS** mehr als eine Schublade gleichzeitig.
- Legen Sie schwerste Gegenstände in die untersten Schubladen.
- Besiegen oder entfernen Sie das Schubladenverriegelungssystem nicht.

Dies ist ein dauerhaftes Etikett.

Nicht entfernen!