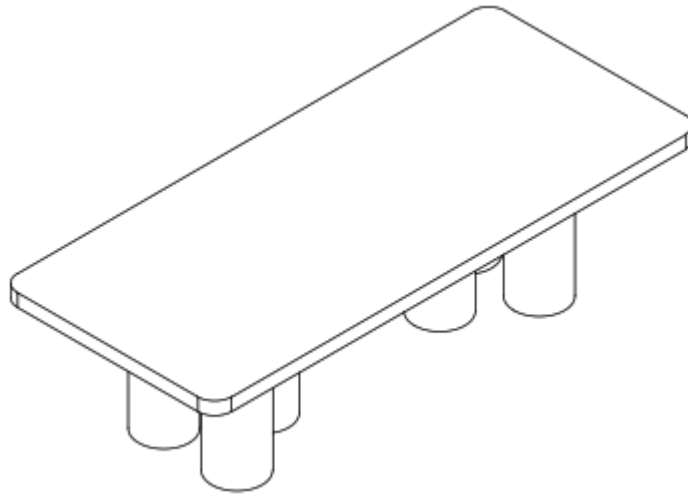


RECTANGLE WOOD COFFEE TABLE

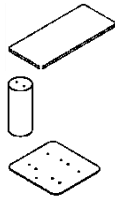
Assembly Instructions



Every thing we make is incredibly simple to set up, including your new table. You won't need any additional tools.

Parts List

- A x 1
TOP
- B x 6
LEGS
- C x 2
FOOTREST



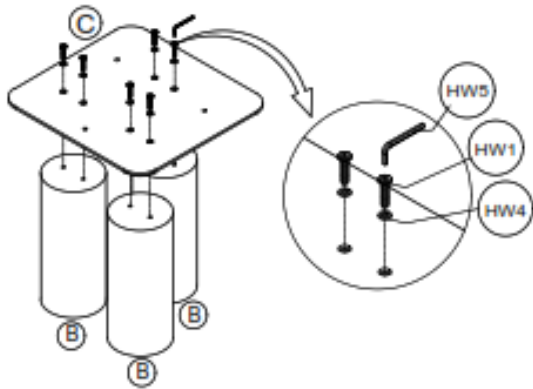
Hardware List

- HW1 x 18
Small cross Bolts 6x0.5x30mm
- HW2 x 6
Flat washer $\varnothing 17 \times 8 \text{mm}$
- HW3 x 6
Spring washer $\varnothing 14 \times 8 \text{mm}$
- HW4 x 12
Flat washer $\varnothing 13 \times 8 \text{mm}$
- HW5 x 1
Allen Key



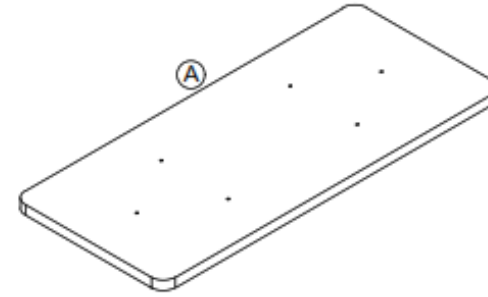
1

Place the Legs (B) upright on a soft surface. Align the screw holes on the Legs (B) to the screw holes on Footrest (C). Place the Flat Washers (HW4) on the Bolts (HW1). Use the Allen Key (HW5) to screw in the Bolts. Repeat for all the Legs (B).



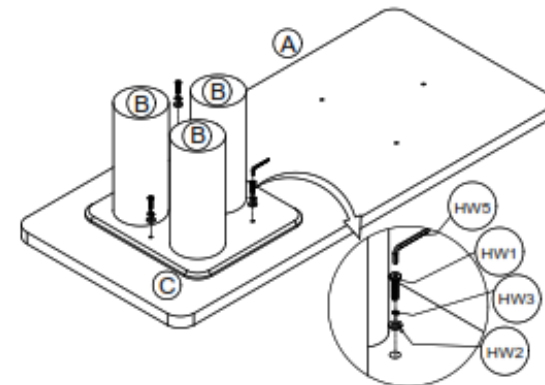
2

Place the Top (A) upside down on a soft surface.



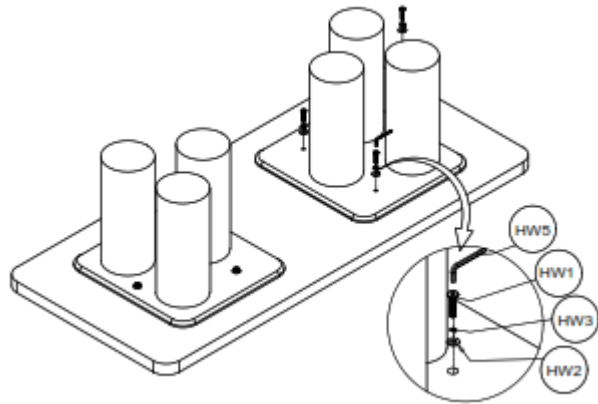
3

Align the screw holes on the Top (A) with the screw holes on the assembled Footrest (C). Place the Flat Washers (HW2) and Spring Washer (HW3) onto the Bolts (HW1) in the order shown below. Use the Allen Key (HW5) to screw in the bolts to connect the Footrest (C) to the Top (A).



4

Repeat step 3 for the second assembled Leg.



5

Place the Coffee Table in the place where you will use it. We'd love to see it.

