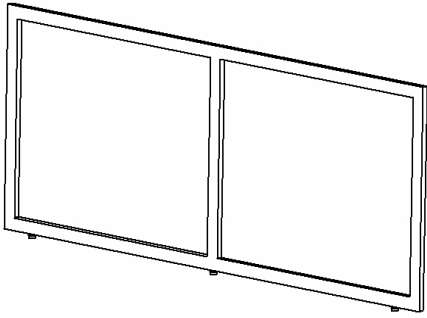


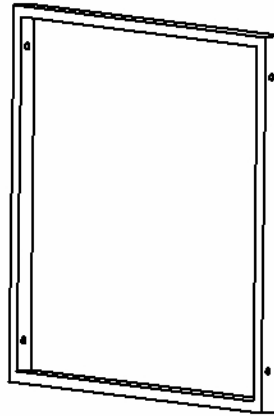
# ASSEMBLY INSTRUCTIONS

## HB4520

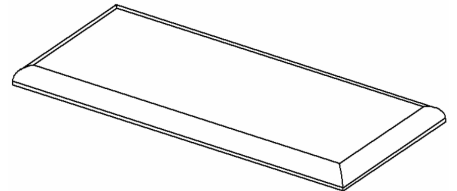
### PARTS LIST



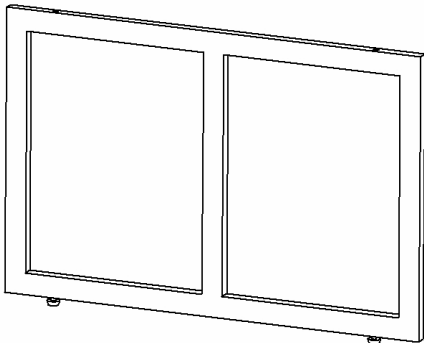
**AX2**



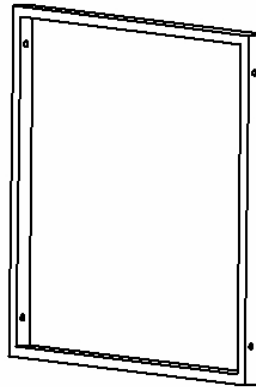
**BX1**



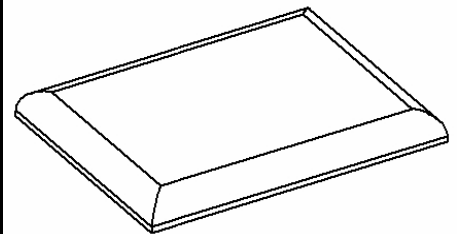
**CX1**



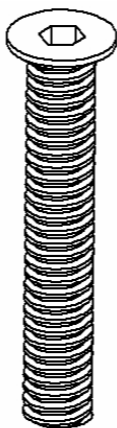
**DX4**



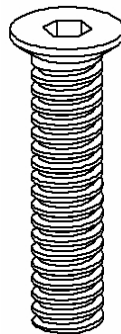
**EX2**



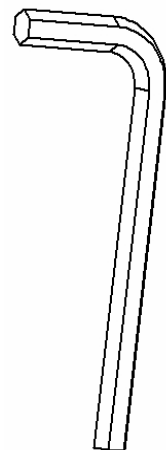
**FX2**



**GX12**



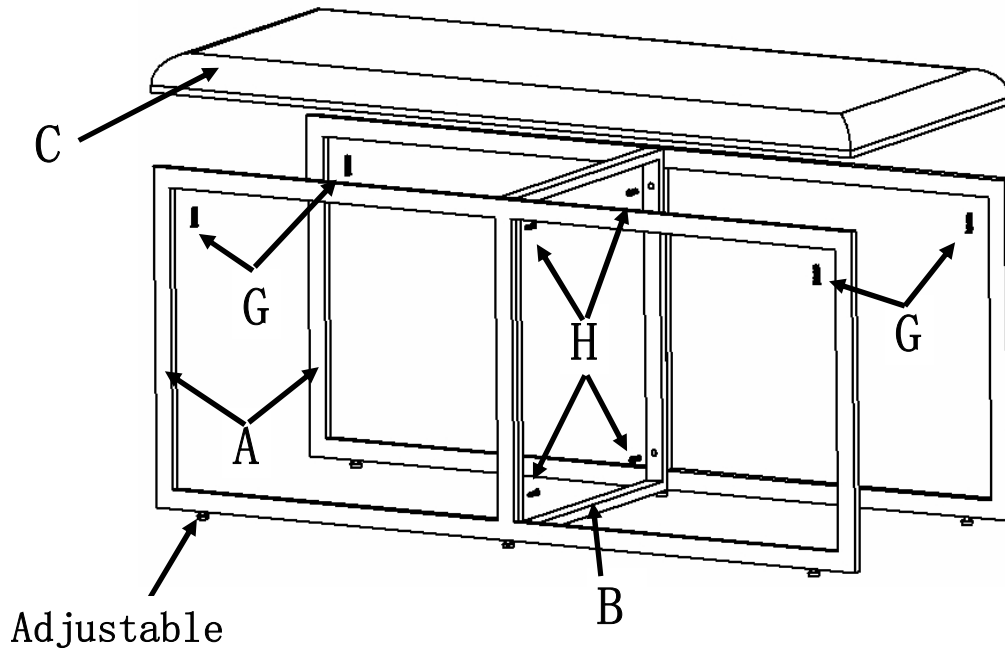
**HX12**



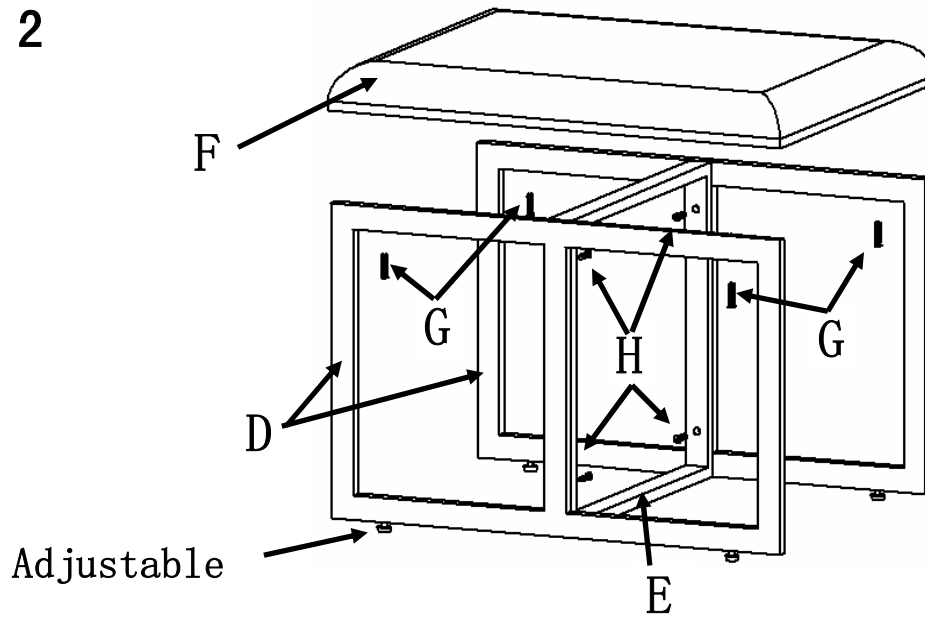
**IX1**

# ASSEMBLY STEPS

## STEP 1



## STEP 2



## STEP 3

