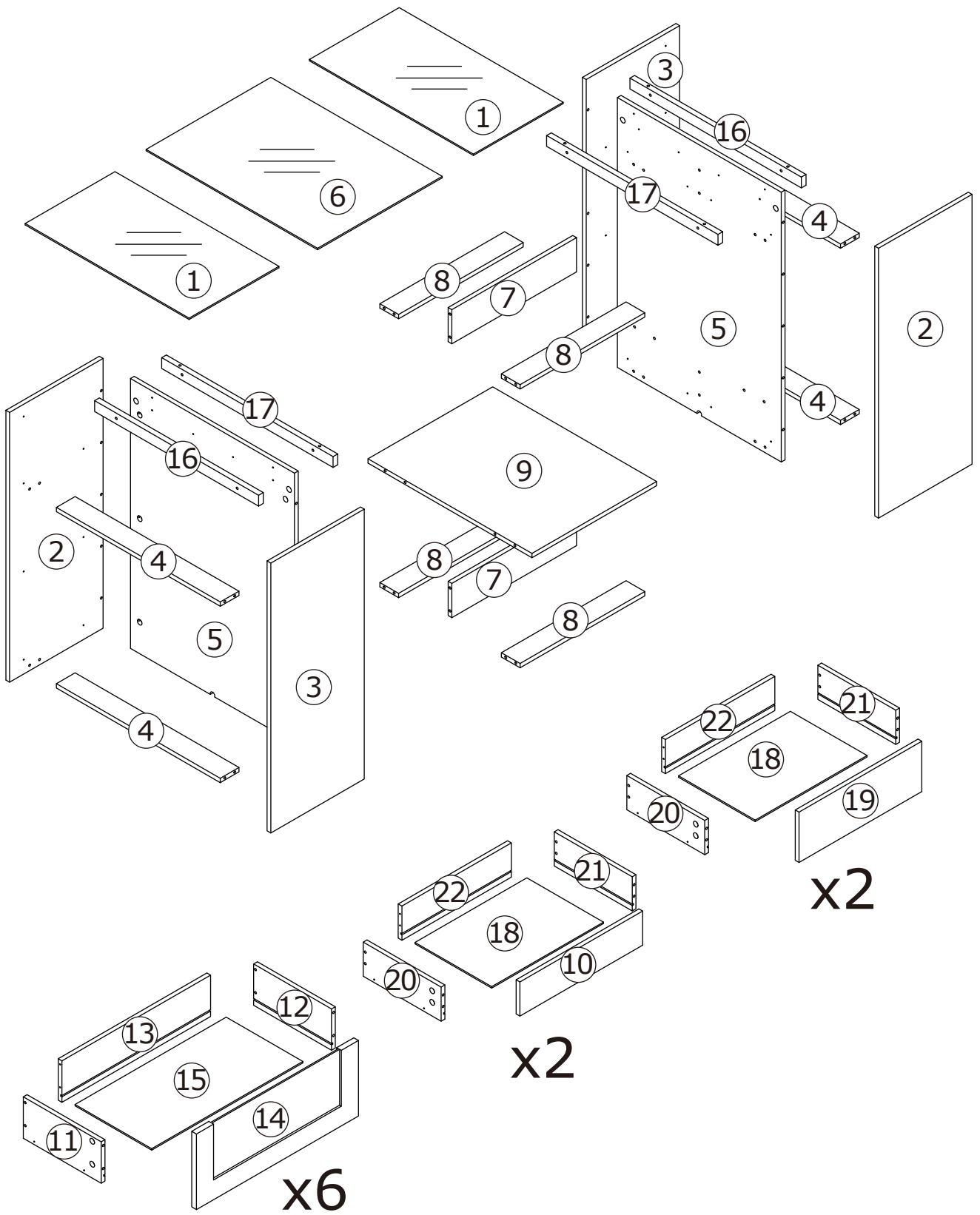
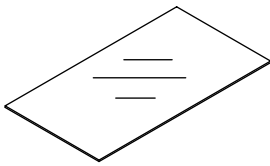
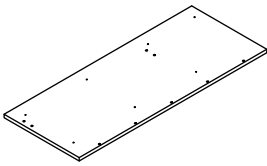
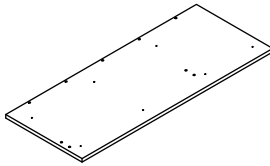
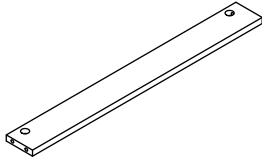
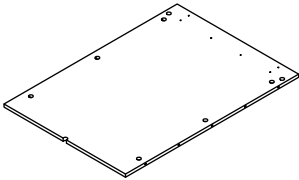
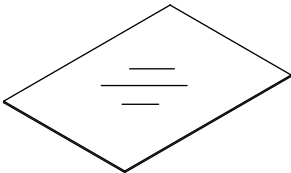
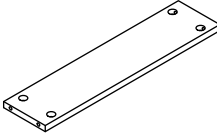
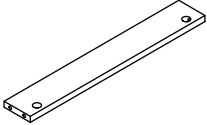
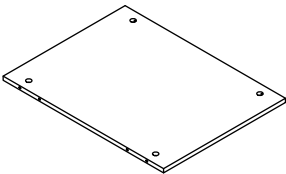
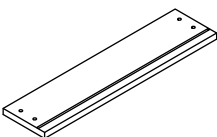
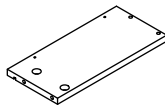
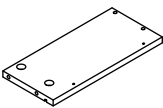
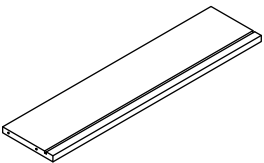
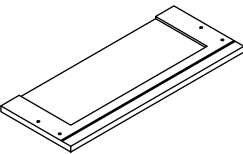
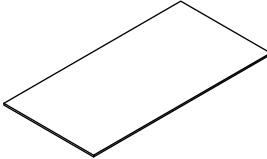
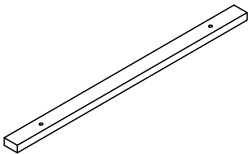
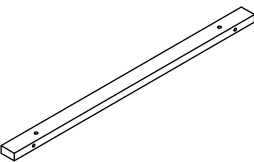
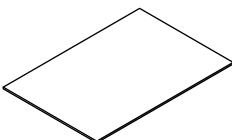
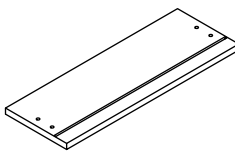
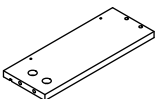
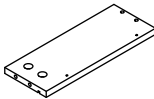
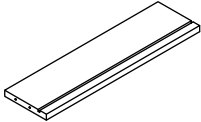


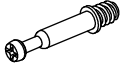


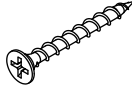


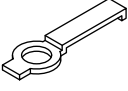



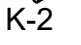

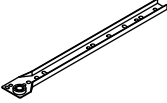
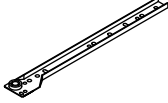
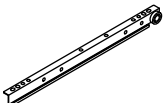
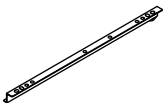
Installation instruction



Parts and Operation Elements

			
① 2pc	② 2pc	③ 2pc	④ 4pc
			
⑤ 2pc	⑥ 1pc	⑦ 2pcs	⑧ 4pc
			
⑨ 1pc	⑩ 2pc	⑪ 6pc	⑫ 6pc
			
⑬ 6pc	⑭ 6pc	⑮ 6pcs	⑯ 2pc
			
⑰ 2pc	⑱ 4pc	⑲ 2pc	⑳ 4pc
			
㉑ 4pc	㉒ 4pc	㉓	㉔

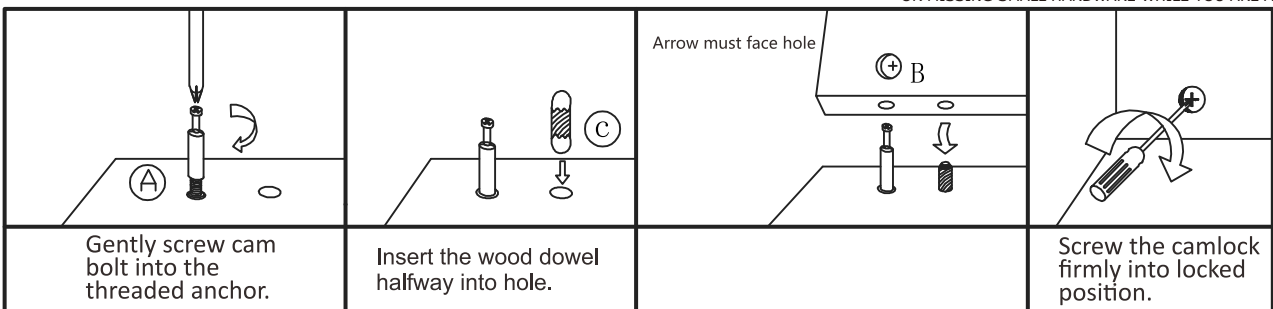
Hardware

 Cam bolt		 Cam Lock		 6x30mm Wood dowel		 4x30mm screw		 4x25mm	
A	80pcs	B	80pcs	C	28pcs	D	40pcs	E	8pcs
 3x12mm screw								   K-1 K-2 K-3	
F	100pcs	G	16pcs	H	4pcs	J	4pcs	K	1pcs
 250mm		 250mm		 250mm		 250mm			
CL	10pcs	CR	10pcs	DL	10pcs	DR	10pcs		

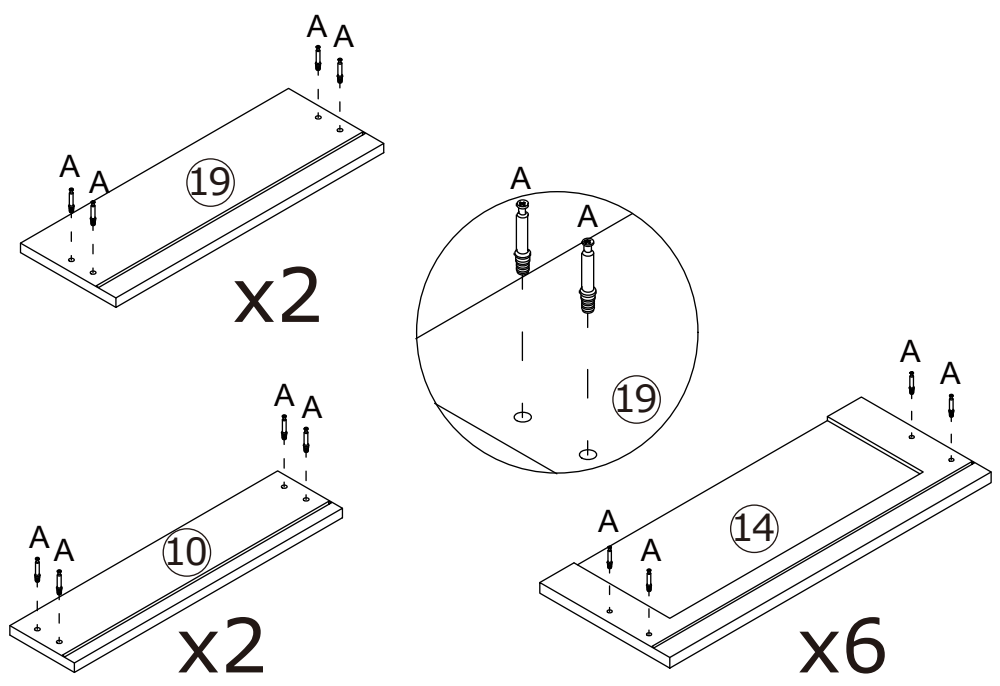
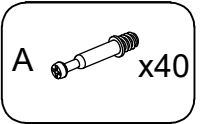


SPARE BAG

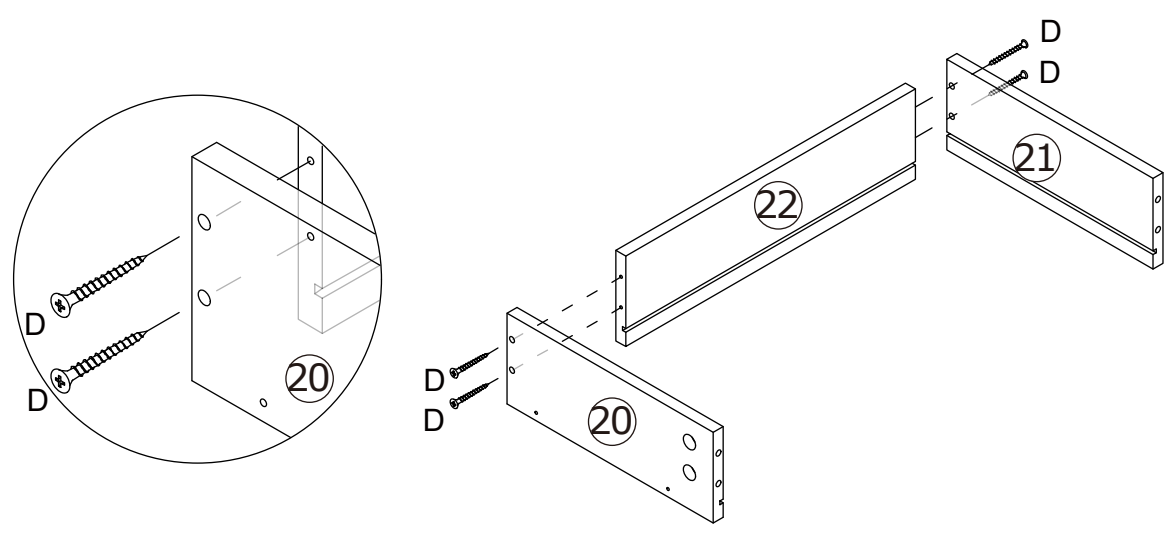
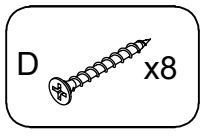
THE SPARE BAG INCLUDED EXTRA HARDWARE FOR DAMAGED OR MISSING SMALL HARDWARE WHILE YOU ARE ASSEMBLING



1

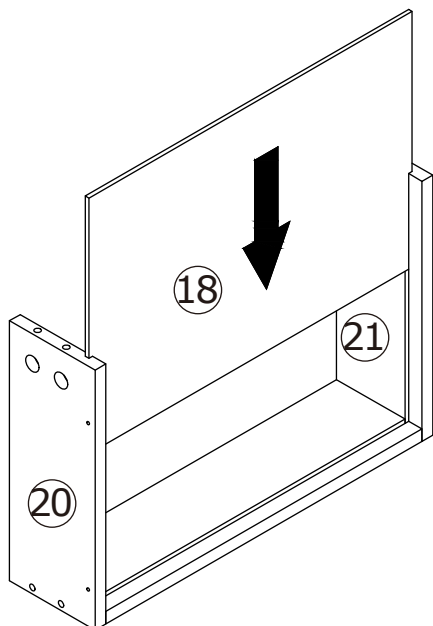


2



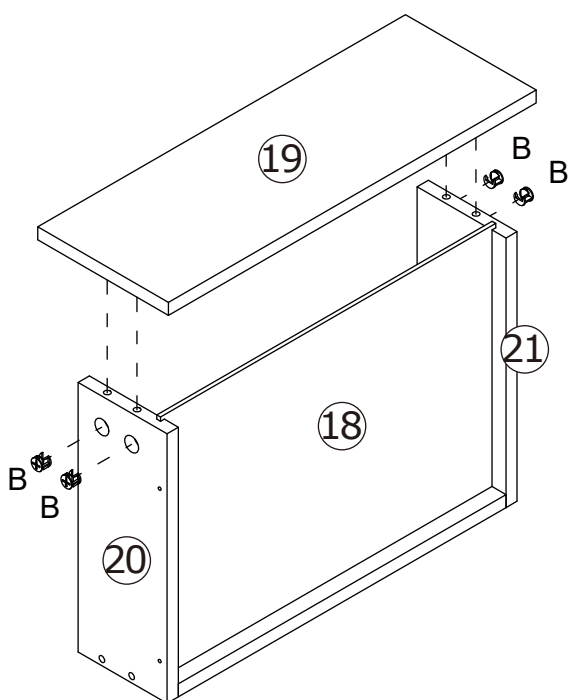
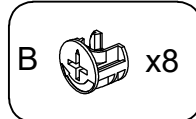
x2

3



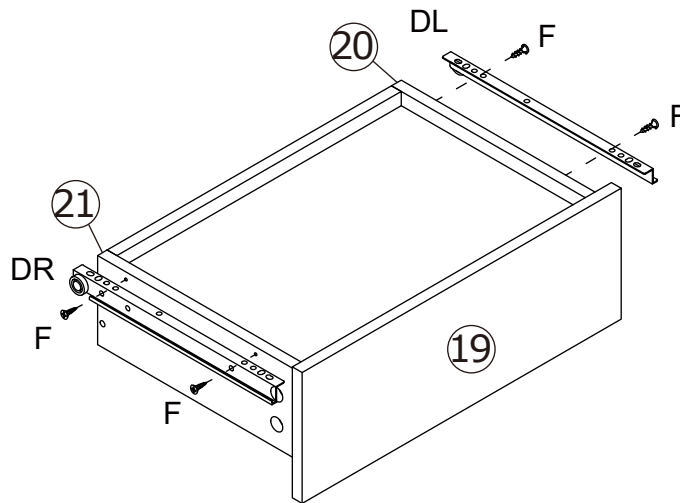
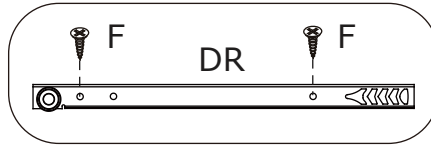
x2

4



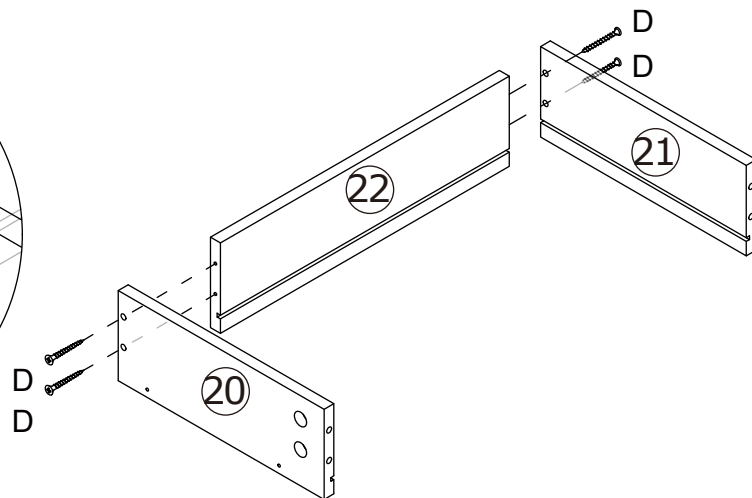
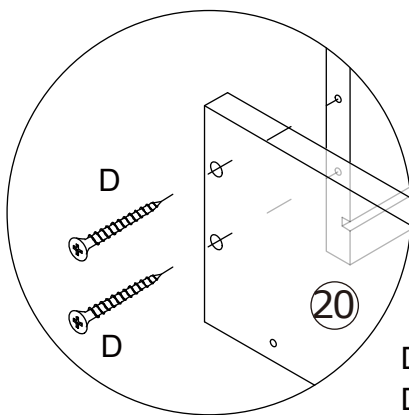
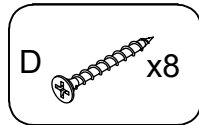
x2

5



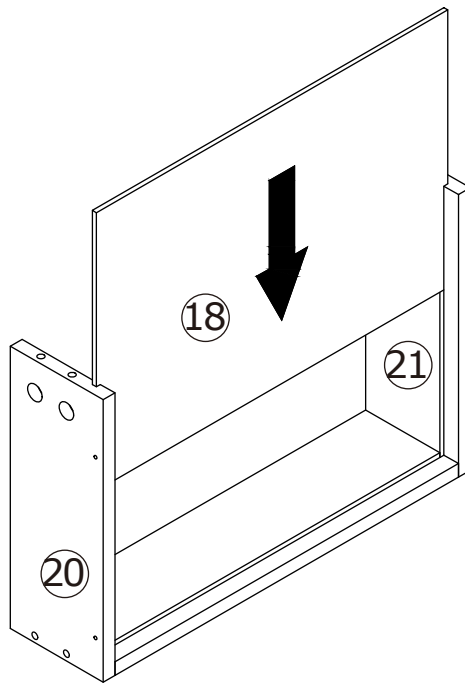
x2

6



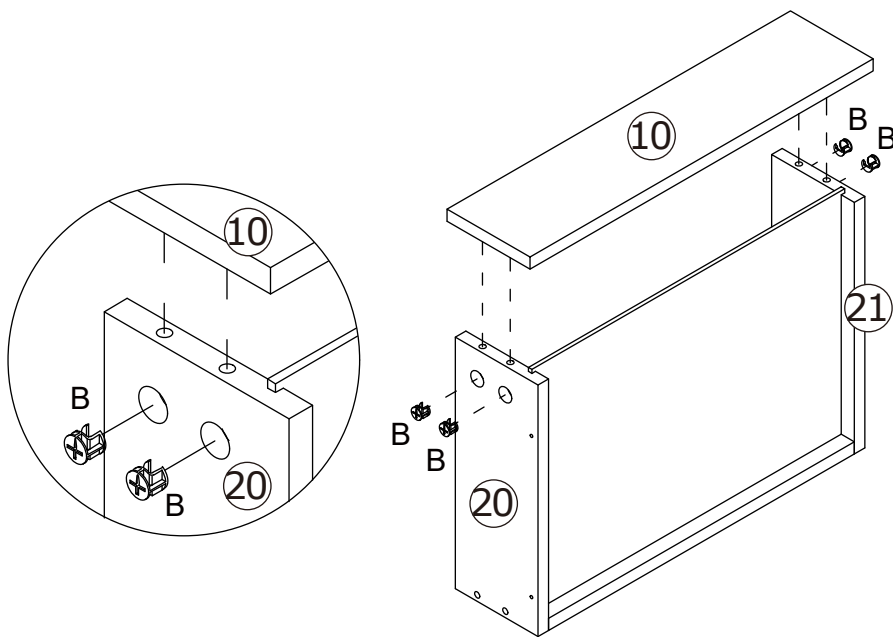
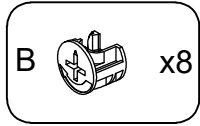
x2

7



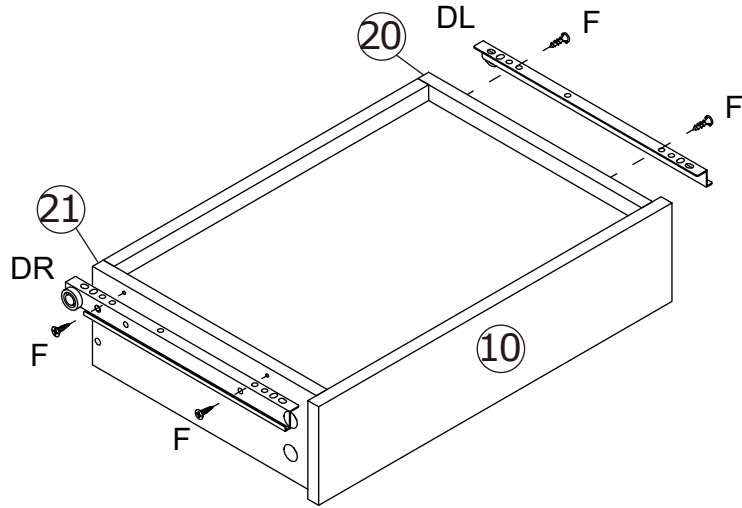
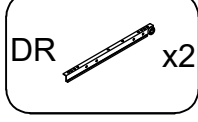
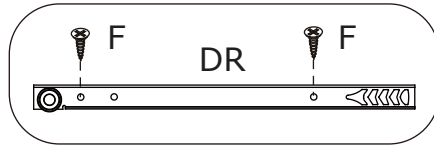
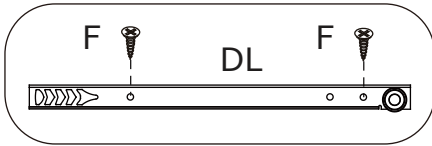
x2

8



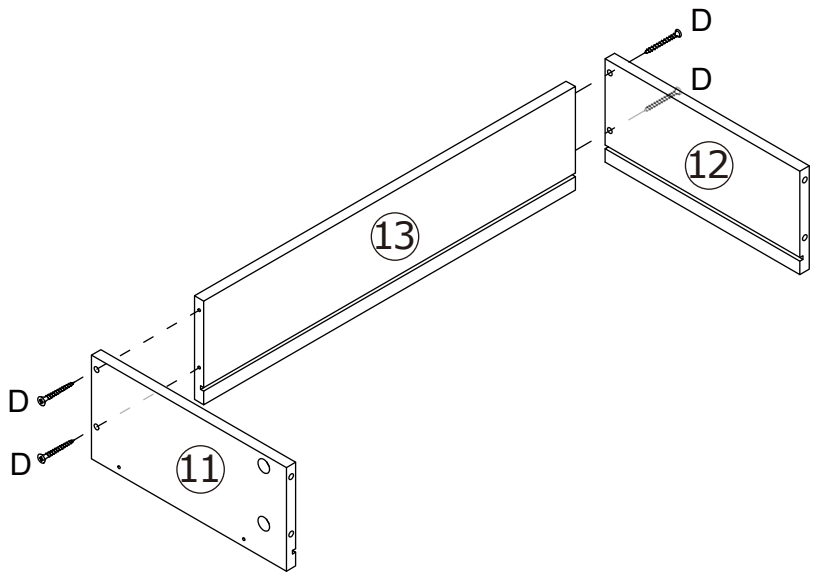
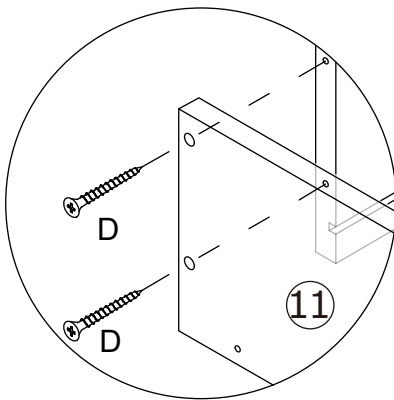
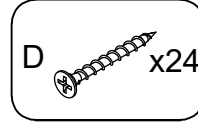
x2

9



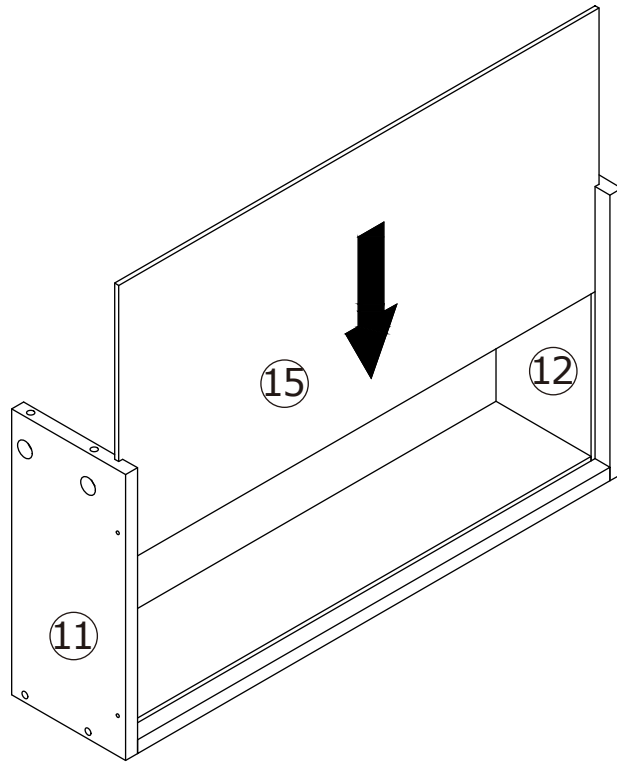
x2

10



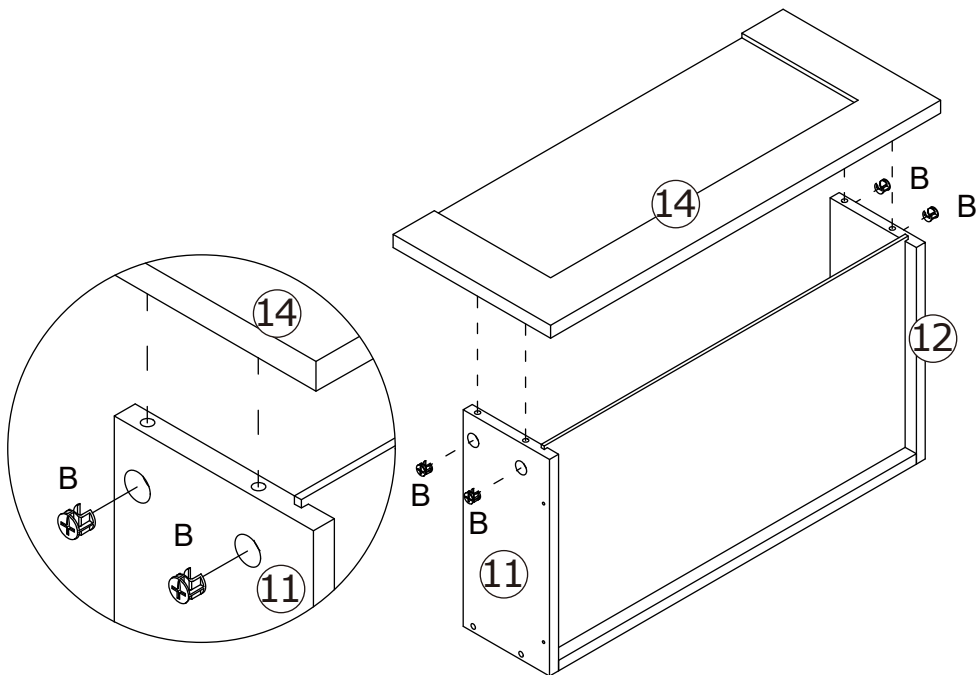
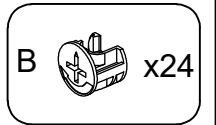
x6

11



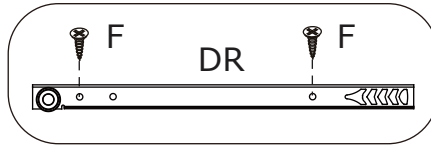
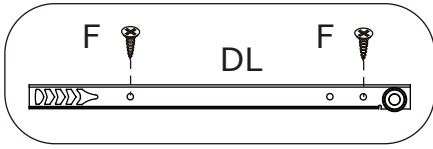
x6

12



x6

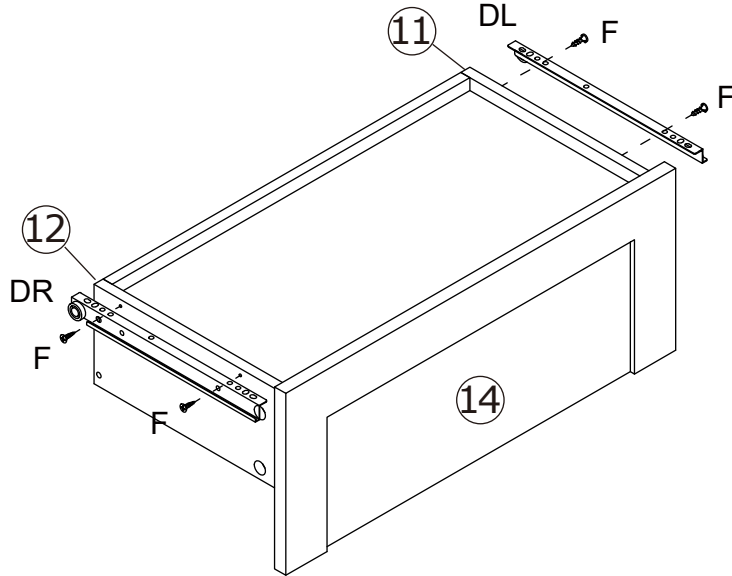
13



F  x24

DL  x6

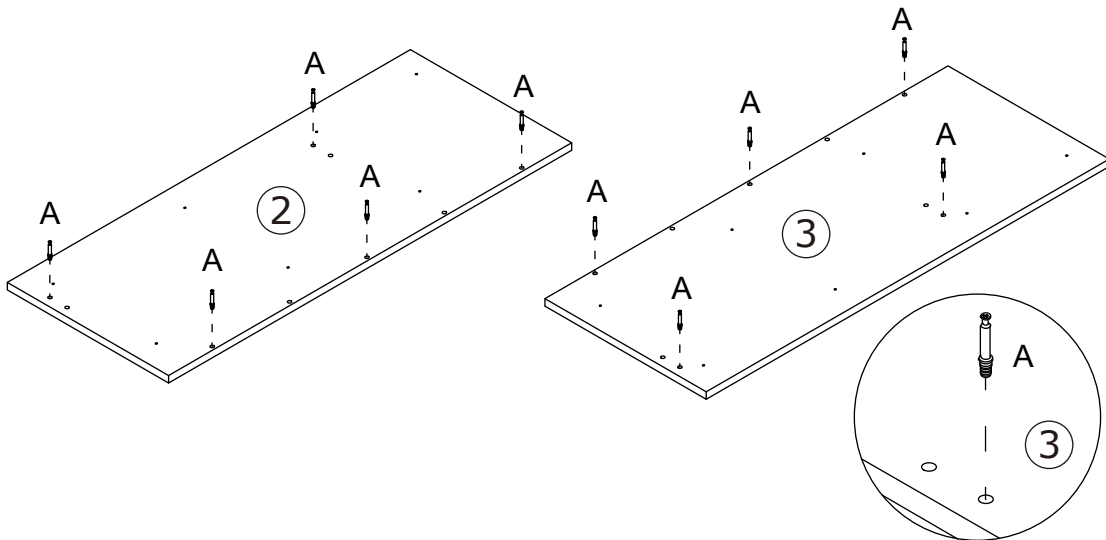
DR  x6



x6

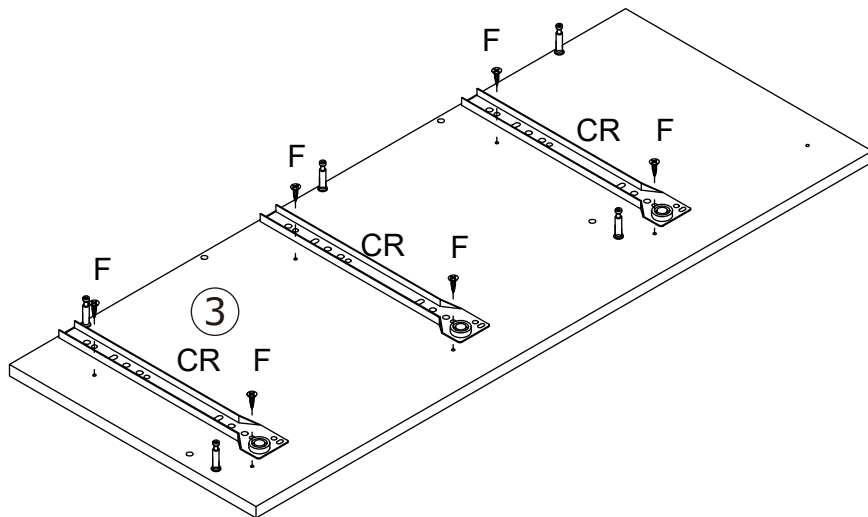
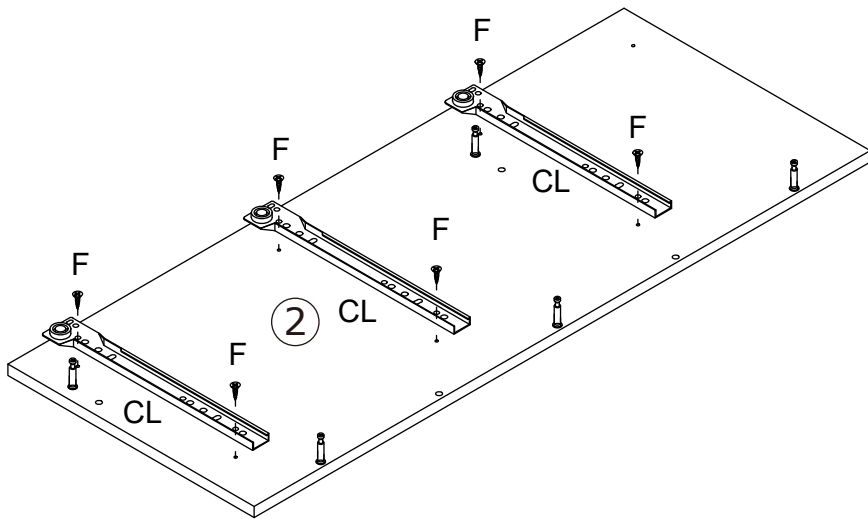
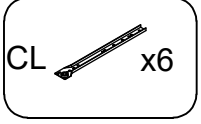
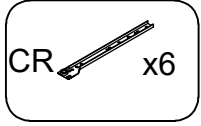
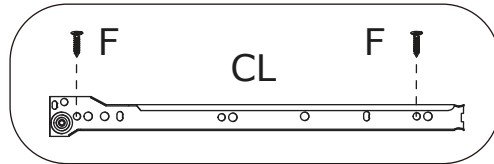
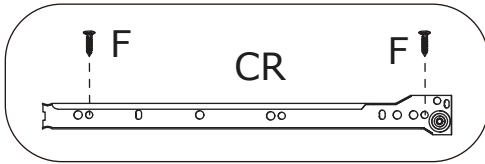
14

A  x20



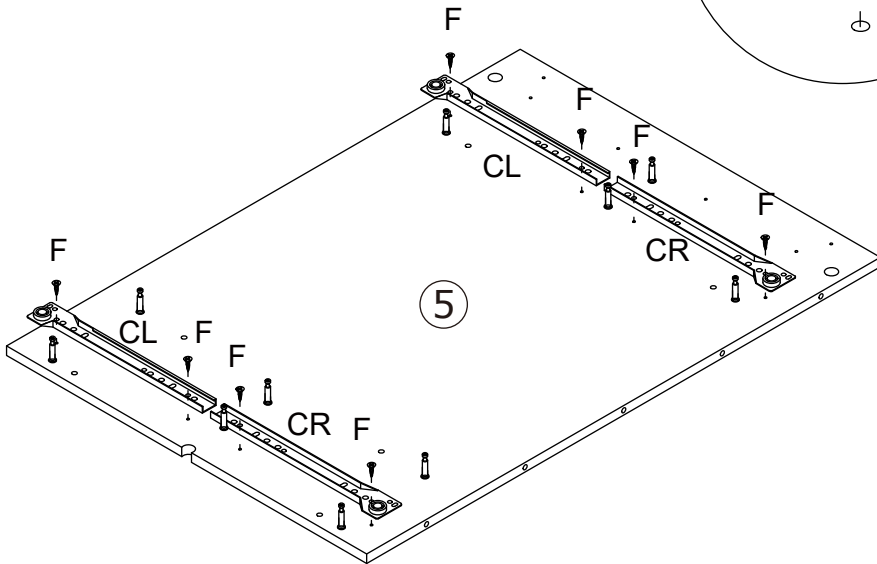
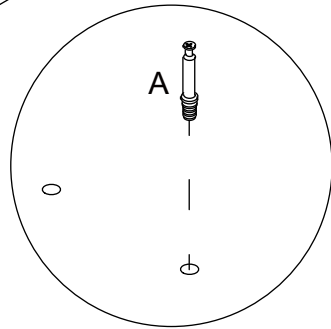
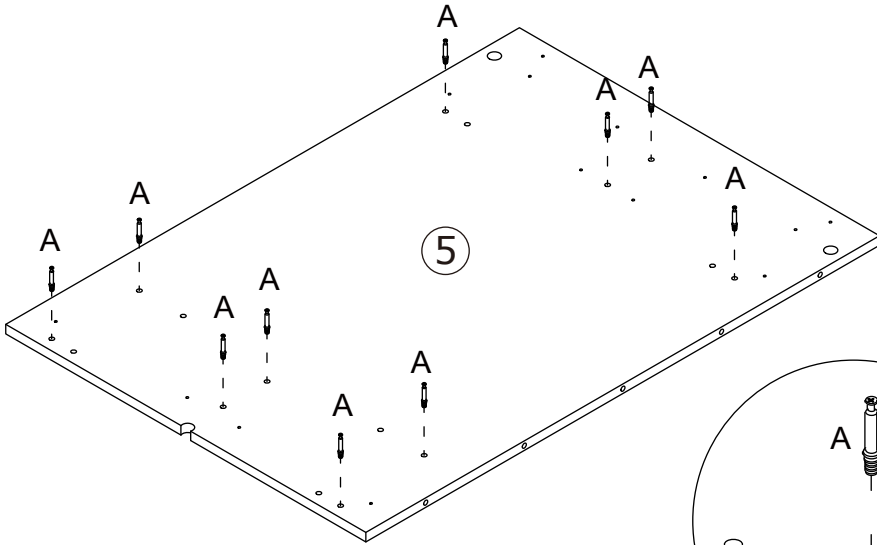
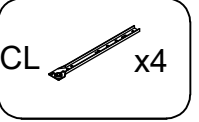
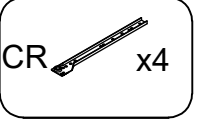
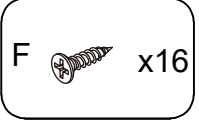
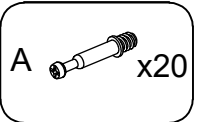
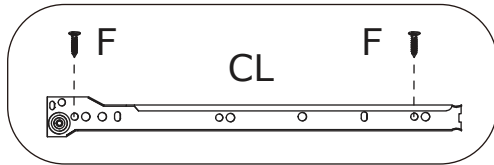
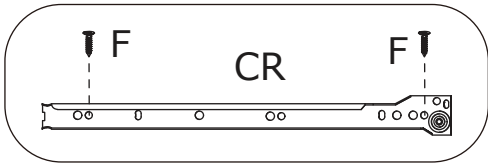
x2

15




x2

16

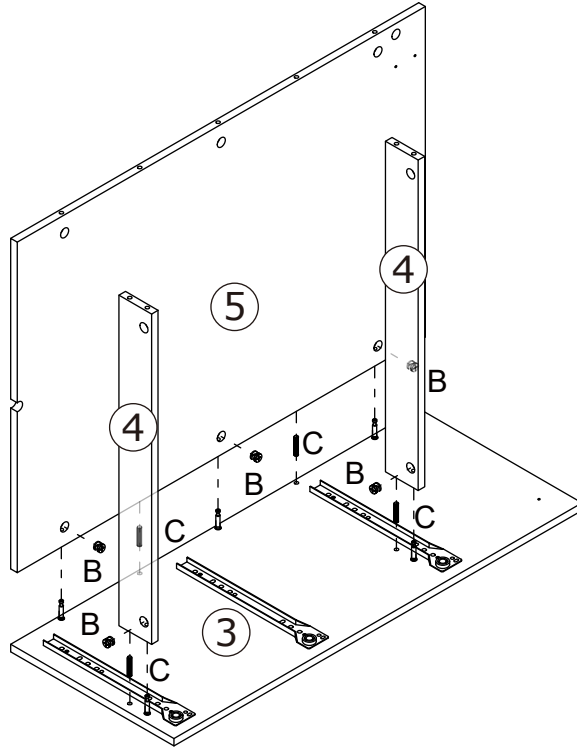
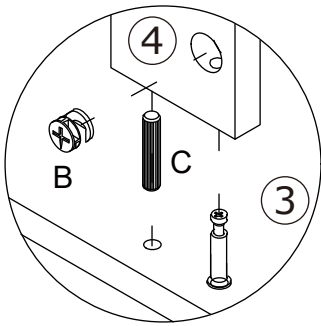


x2

17


B  x10


C  x8

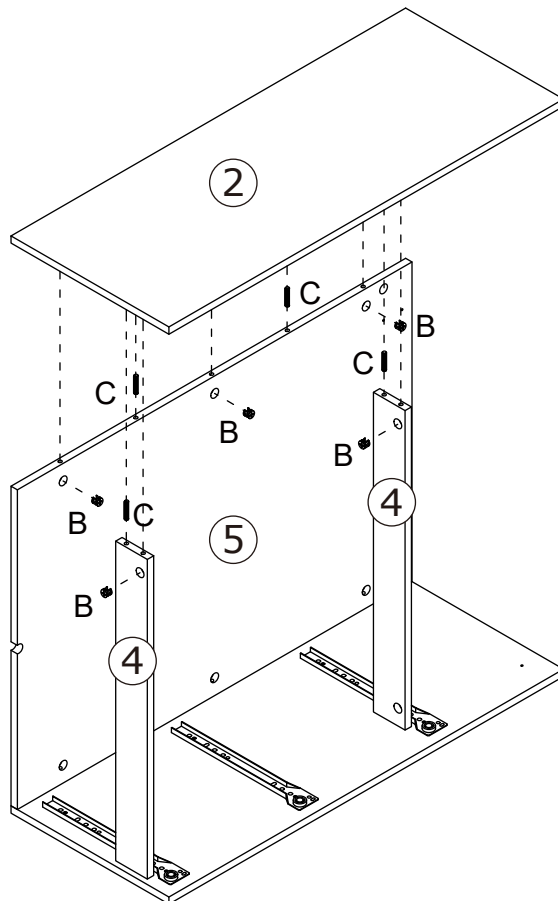
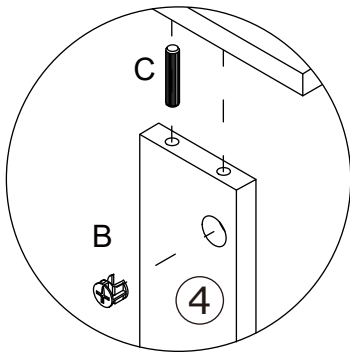


x2

18


B  x10

C  x8

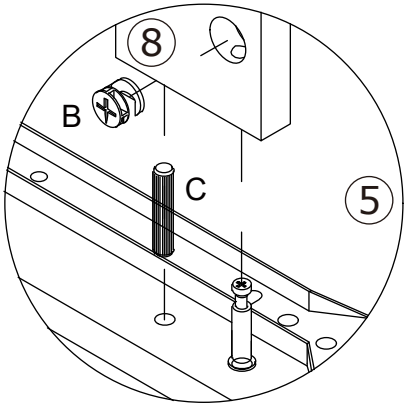
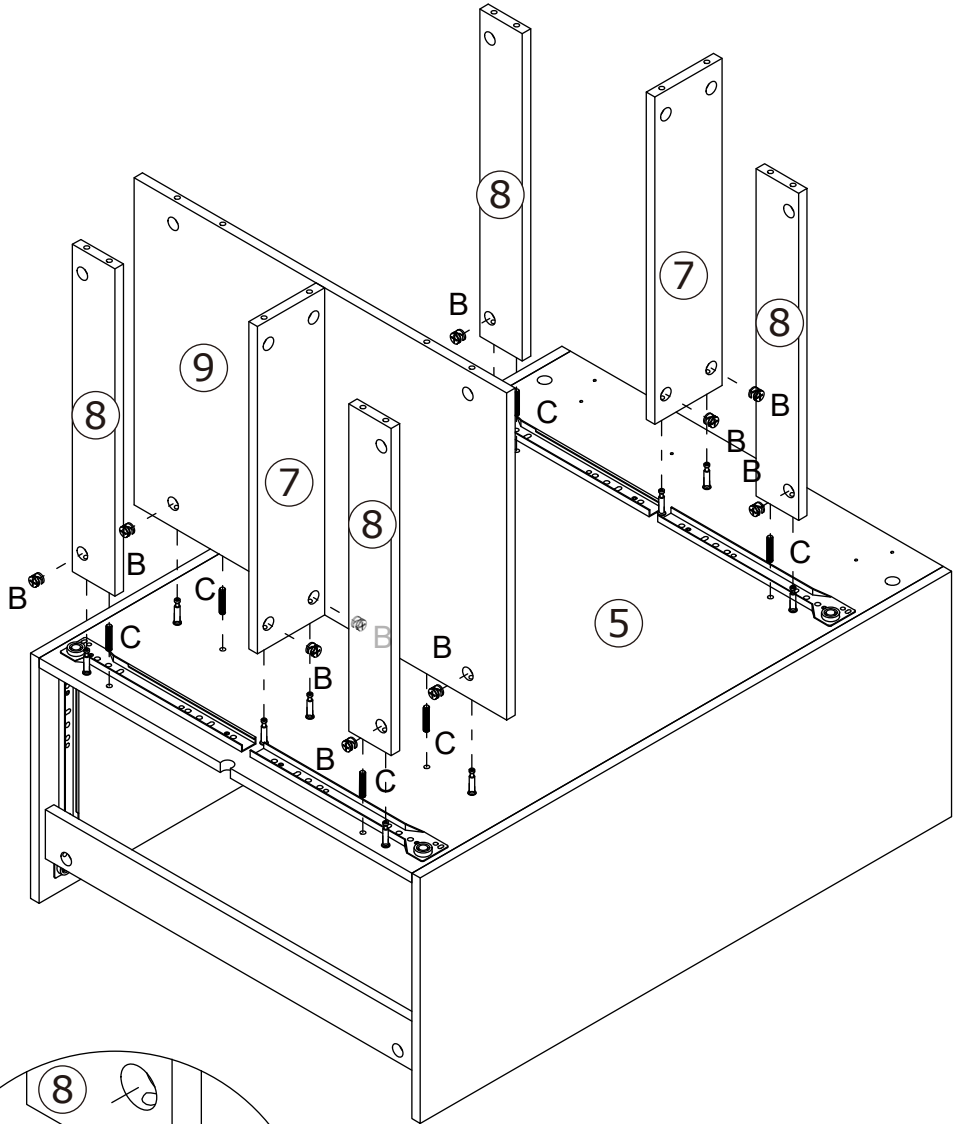


x2


19


B  x10

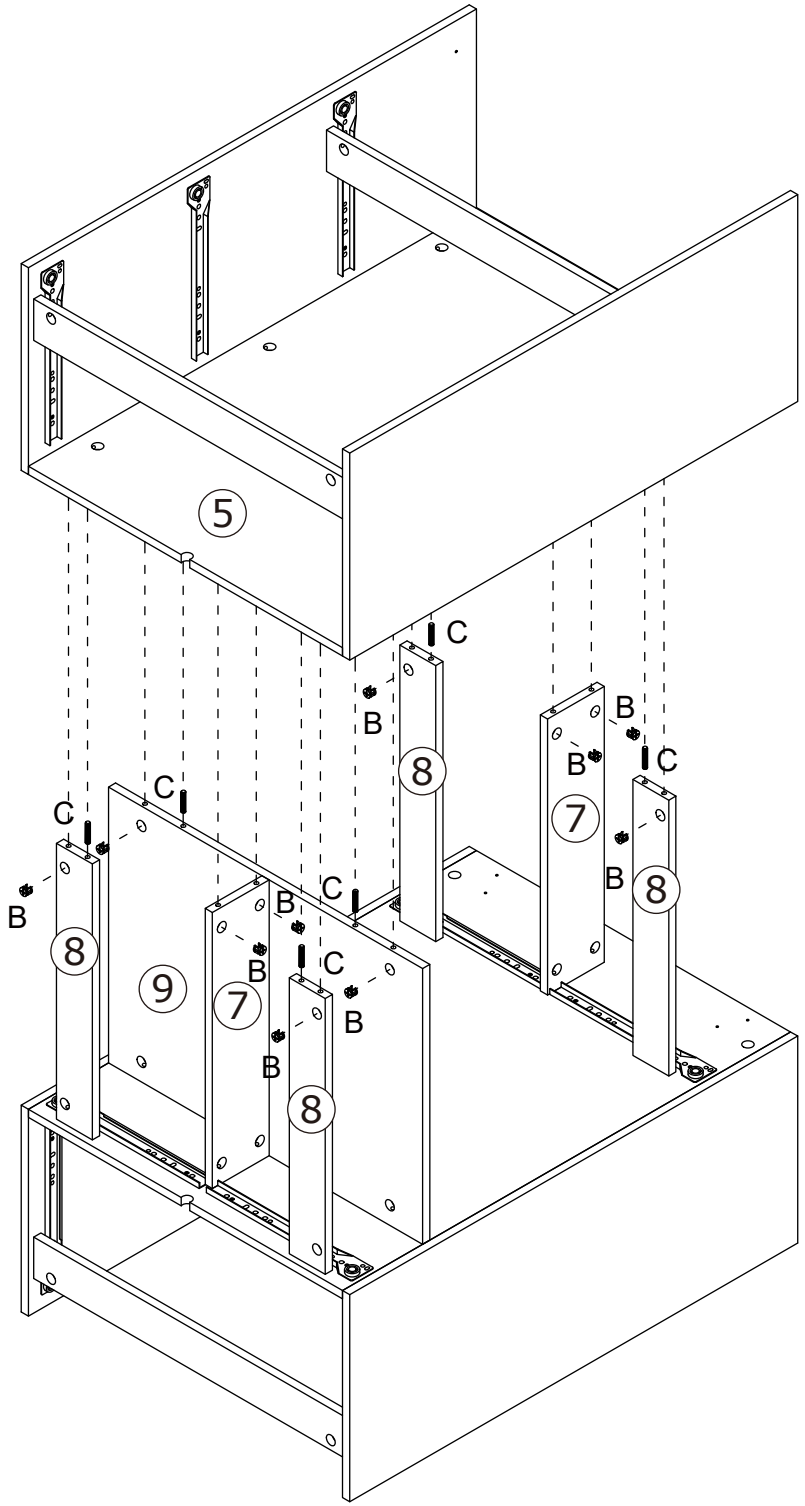
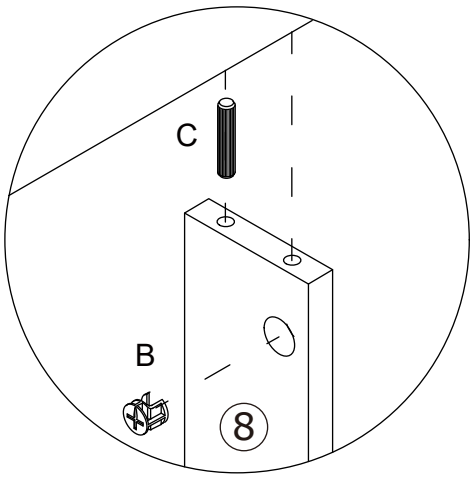
C  x6



20

B  x10


C  x6

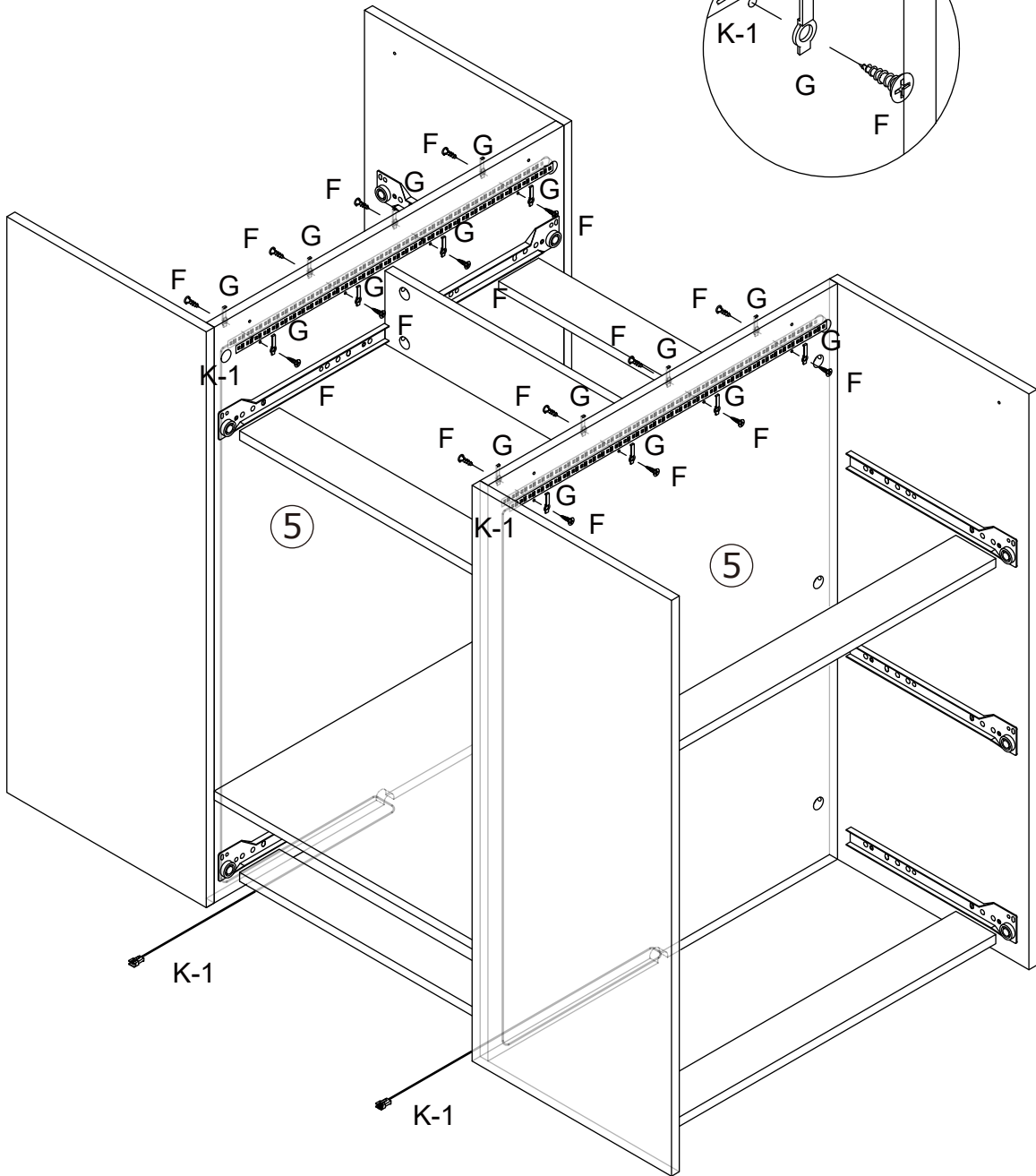
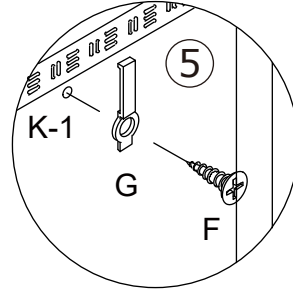
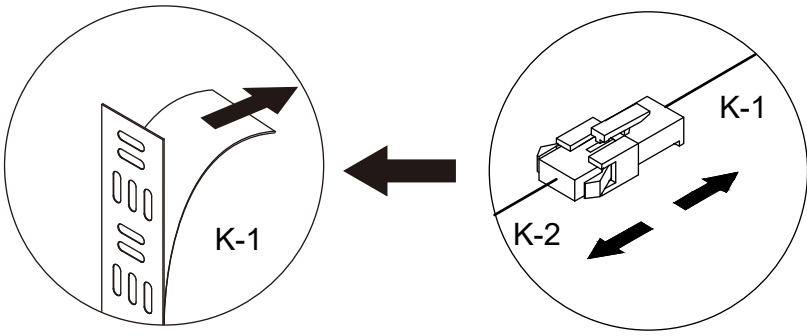


21

K  x1

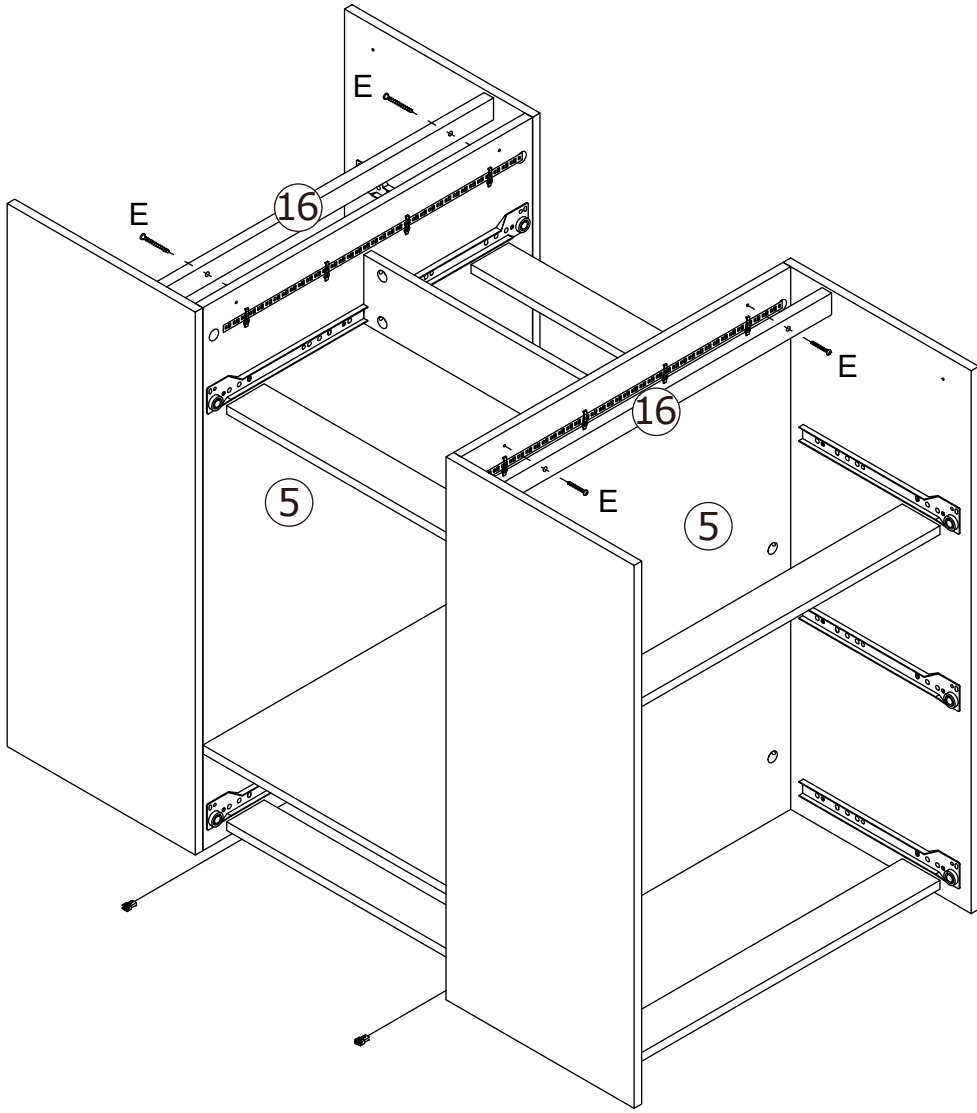
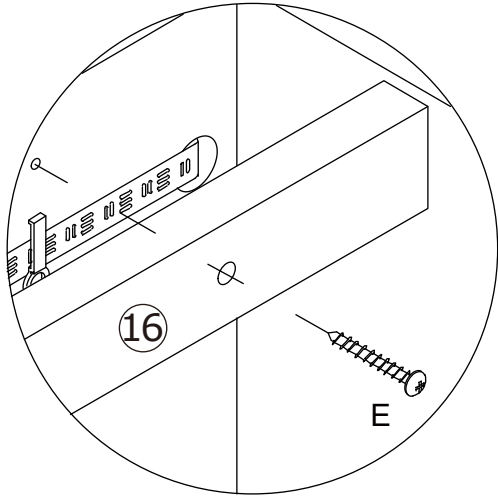
F  x16

G  x16



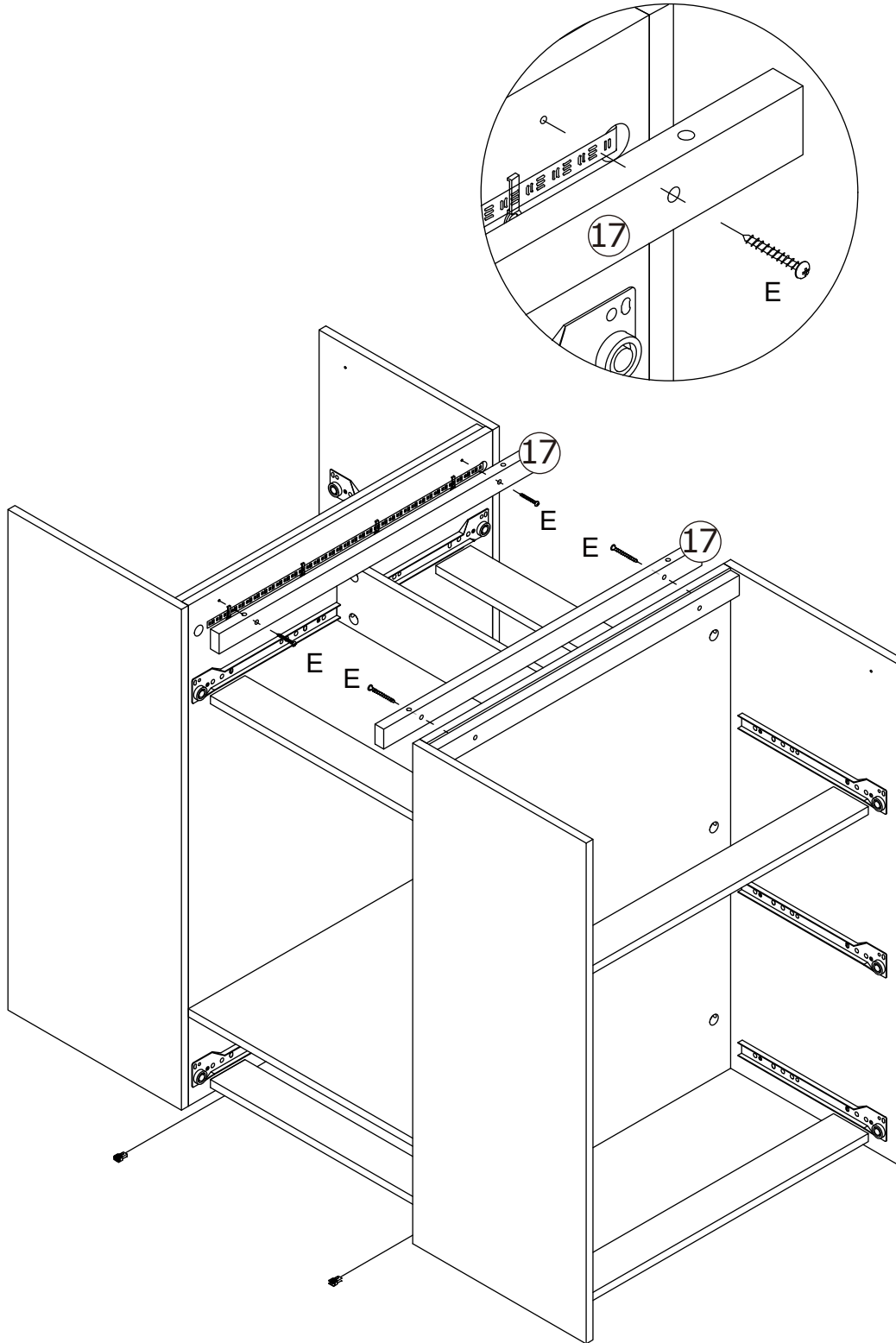
22

E  x4

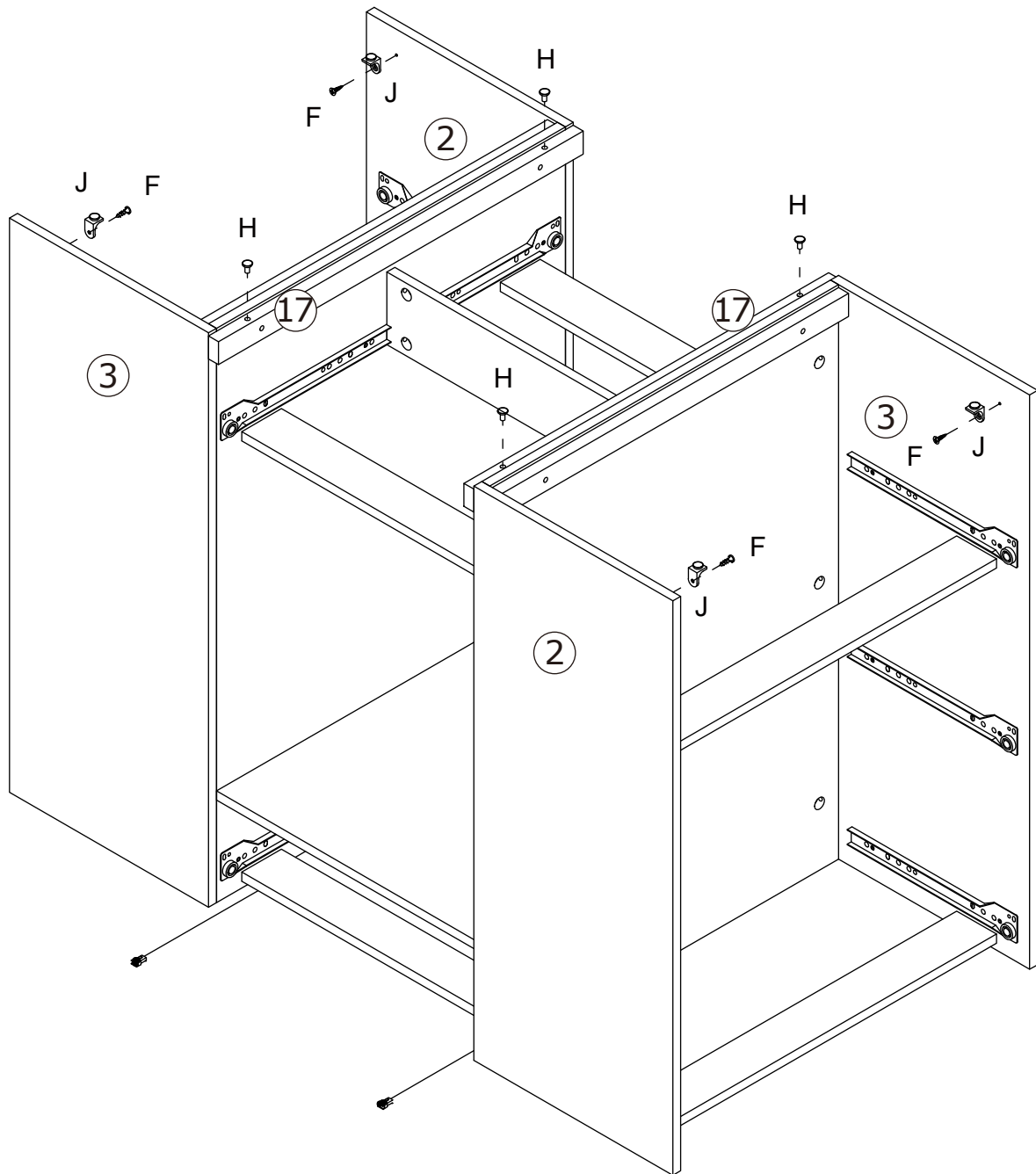
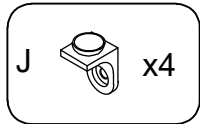
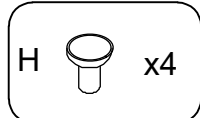
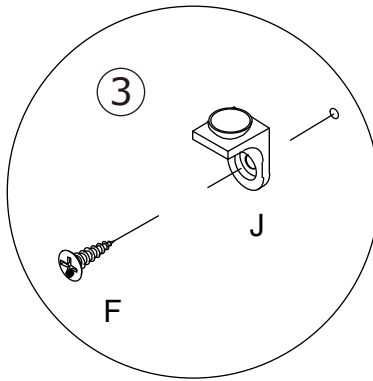
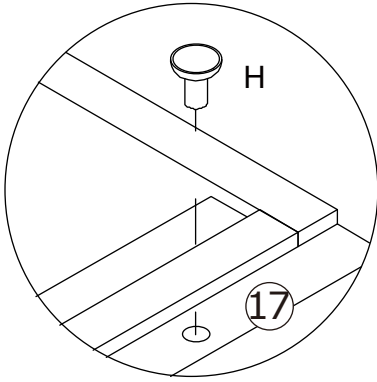


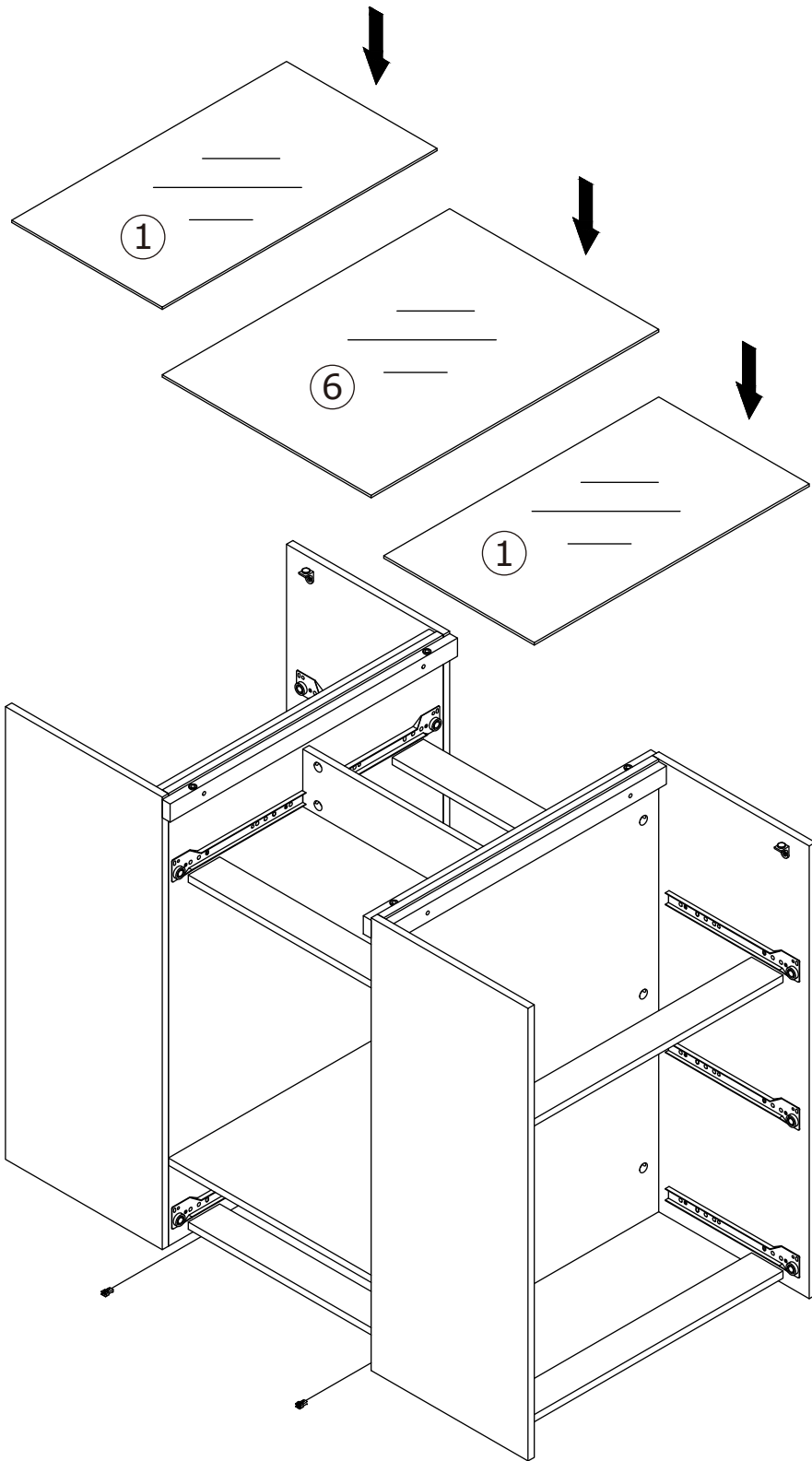
23

E  x4

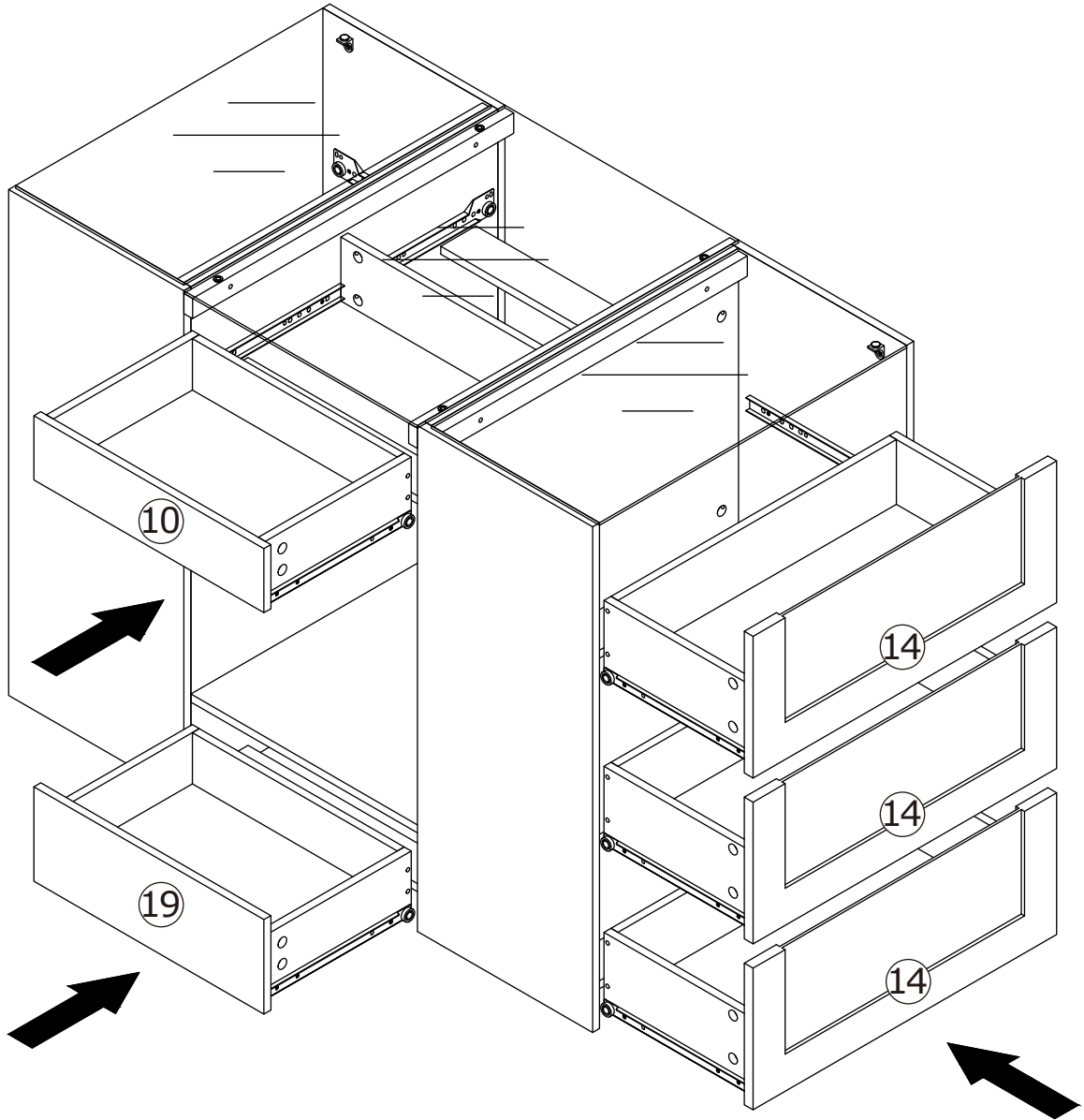


24





26



27

