

ASSEMBLY INSTRUCTIONS  
90CM TREEHOUSE BED

IMPORTANT: READ THESE INSTRUCTIONS CAREFULLY BEFORE ASSEMBLING OR USING YOUR BED FRAME.

PLEASE KEEP THESE INSTRUCTIONS FOR FUTURE REFERENCE.

**HEALTH & SAFETY:**

DO NOT jump on this bed frame.

DO NOT use this bed frame if any parts are missing, damaged or worn.

DO NOT use this bed frame unless all fixings are secured.

Please keep small parts out of reach of children.

Always use on a level, even surface.

**WARNING:** If this bed is placed on a non-carpeted floor you must place some protection under all legs to stop the bed frame from moving. If this is not adhered to there is no guarantee if the bed frame collapses.

**CARE & MAINTENANCE:**

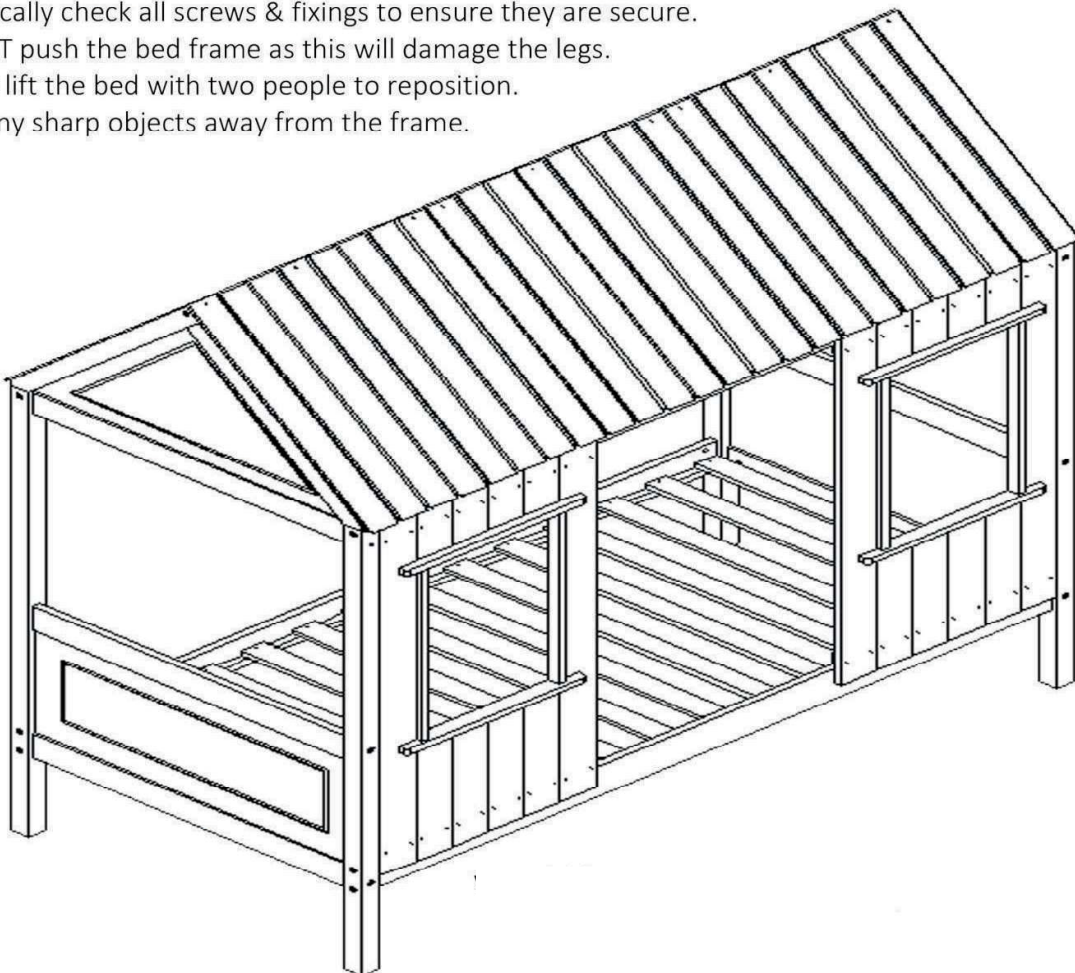
Assemble in the room of use.

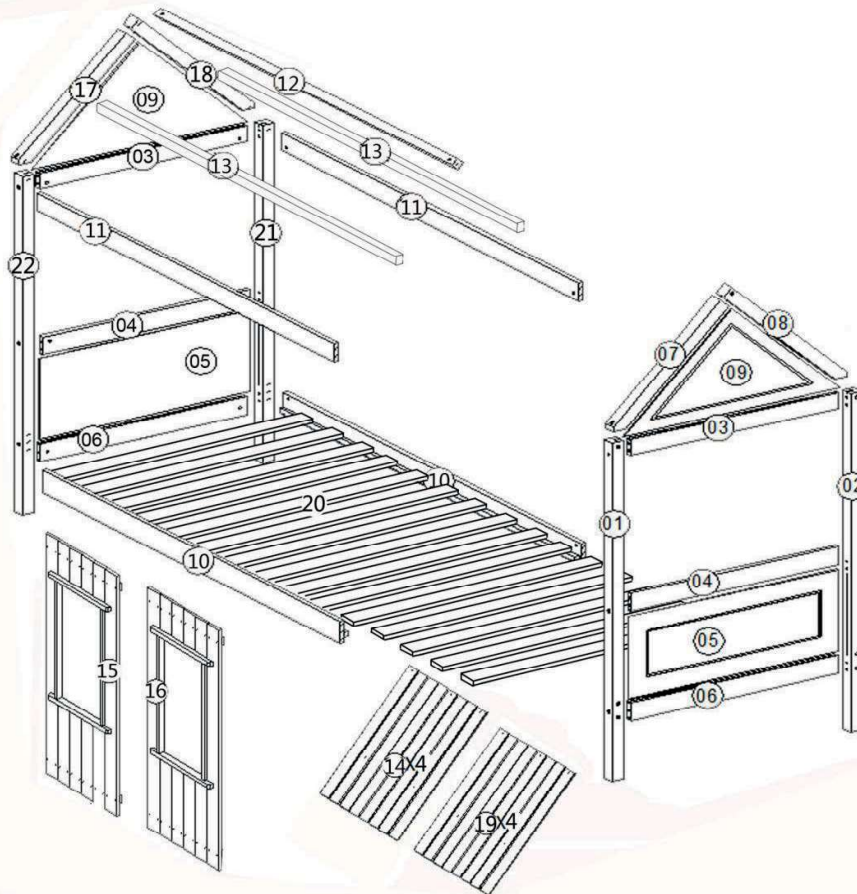
Periodically check all screws & fixings to ensure they are secure.



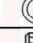

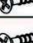



DO NOT push the bed frame as this will damage the legs.

Always lift the bed with two people to reposition.

Keep any sharp objects away from the frame.



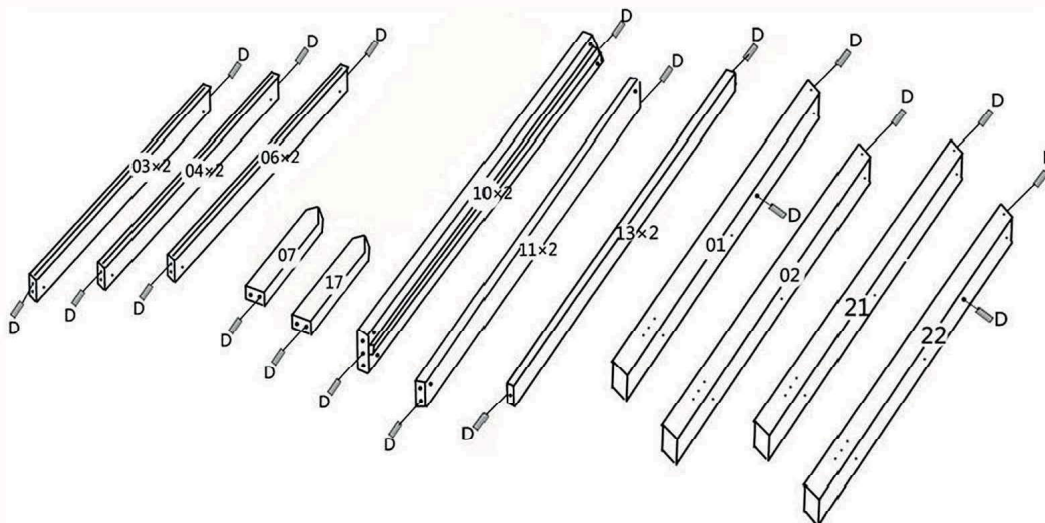


Parts List				Hardware List (BOX 1)		
Part	Description	Box	Qty	Part	Description	Box
1	Front right leg	1	1	A	M6x90mm 	26
2	Back right leg	1	1	B	M6 	26
3	Top Head rail	1	2	C	Ø6x90mm 	06
4	Middle head rail	1	2	D	Ø8x30mm 	32
5	Bottom Panel	2	2	E	Ø4x25mm 	56
6	Bottom Head Rail	1	2	F	Ø4x30mm 	28
7	Front right roof panel	1	1	G	Ø8x25mm 	16
8	Back right roof panel	1	1	H		01
9	Top Panel	2	2			
10	Side rails	1	2			
11	Cross bars	1	2			
12	Roof cross bar	1	1			
13	Support bar	1	2			
14	Left Bed roof	3	4			
15	Left Door	2	1			
16	Right Door	2	1			
17	Front left roof panel	1	1			
18	Back left roof panel	1	1			
19	Right Bed Roof	3	4			
20	Slats	2	14			
21	Back left leg	1	1			
22	Front left leg	1	1			

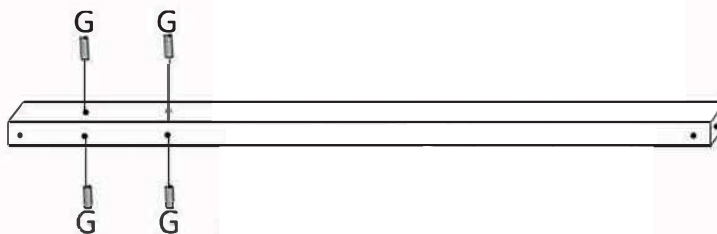
\*\* You will need a screwdriver and a small mallet (not provided).

Step 1: Please insert the Dowels (D) into 1 x Front right leg (1) , 1 x Back right leg (2) , 2 x Top Head rail (3) , 2 x Middle head rail (4), 2 x Bottom head rail (6), 1 x Front right roof panel (7), 2 x Side rails (10), 2 x Cross bars (11), 2 x Support bars (13), 1 x Front left roof panel (17), 1 x Back left leg (21) and 1 x Front left leg (22) using a small mallet (Not provided).

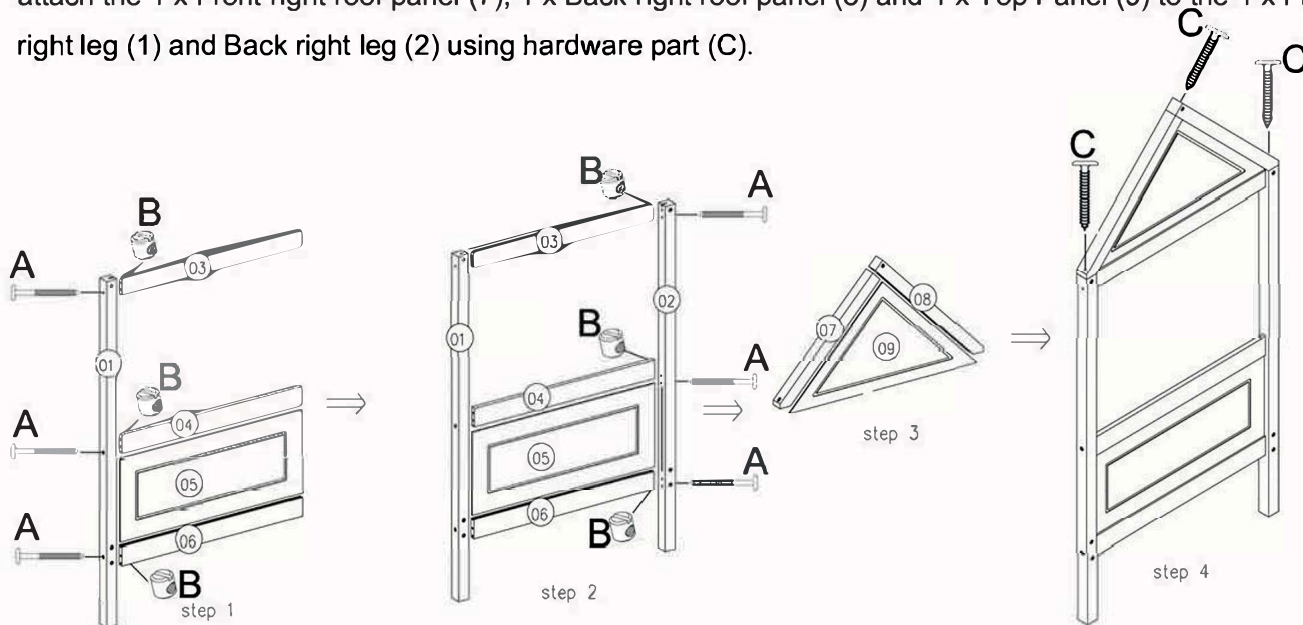
DO NOT use any power tools as this may damage the frame and will invalidate any claim.



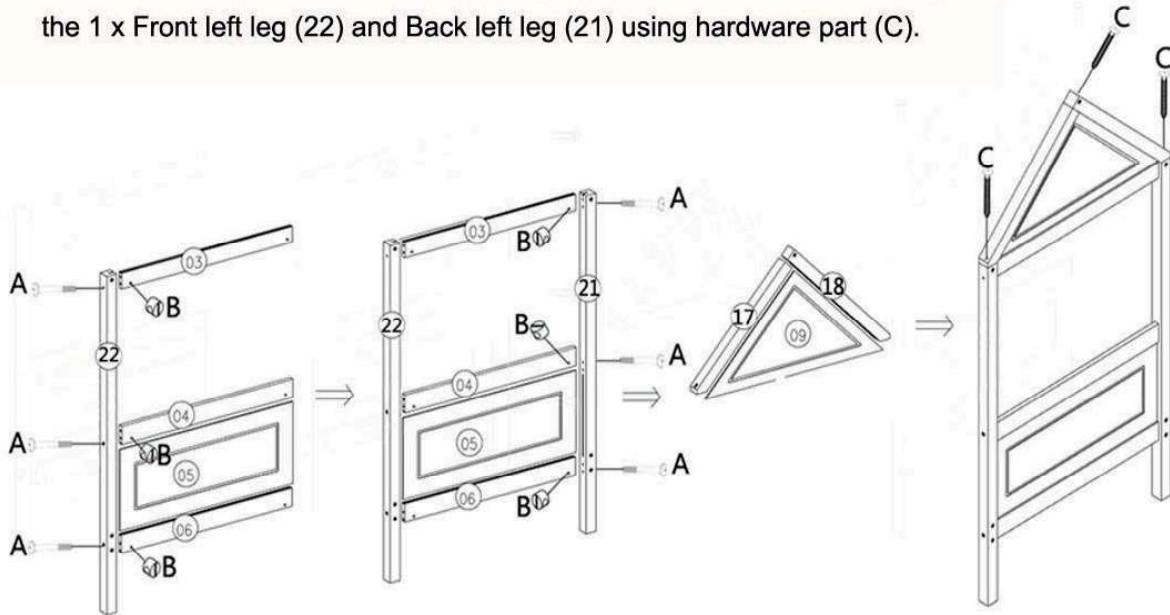
Step 2: Insert 4 x Dowels (G) to the 1 x Roof cross bar(12) using a small mallet (Not provided).



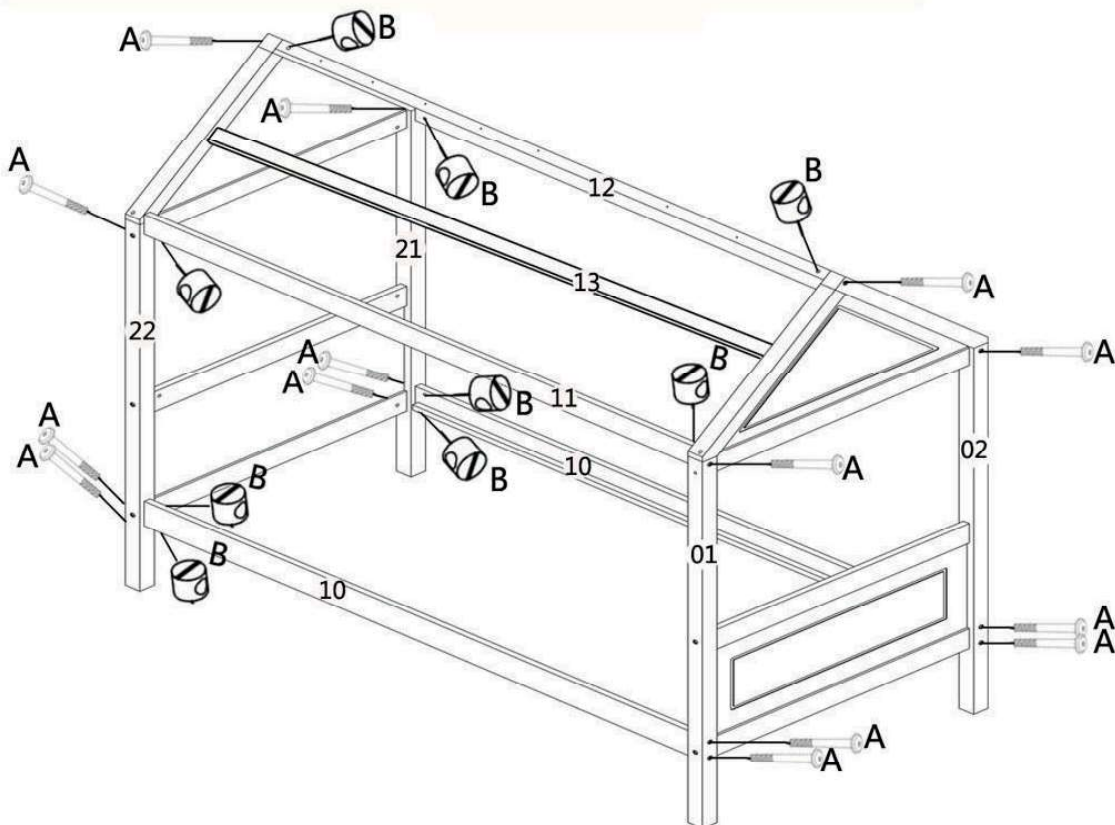
Step 3: Attach the 1 x Front right leg (1) and 1 x Back right leg (2) to the 1 x Top Head rail (3), 1 x Middle head rail (4), 1 x Bottom Panel (5) and 1 x Bottom head rail (6) using hardware parts (A) and (B). Then attach the 1 x Front right roof panel (7), 1 x Back right roof panel (8) and 1 x Top Panel (9) to the 1 x Front right leg (1) and Back right leg (2) using hardware part (C).



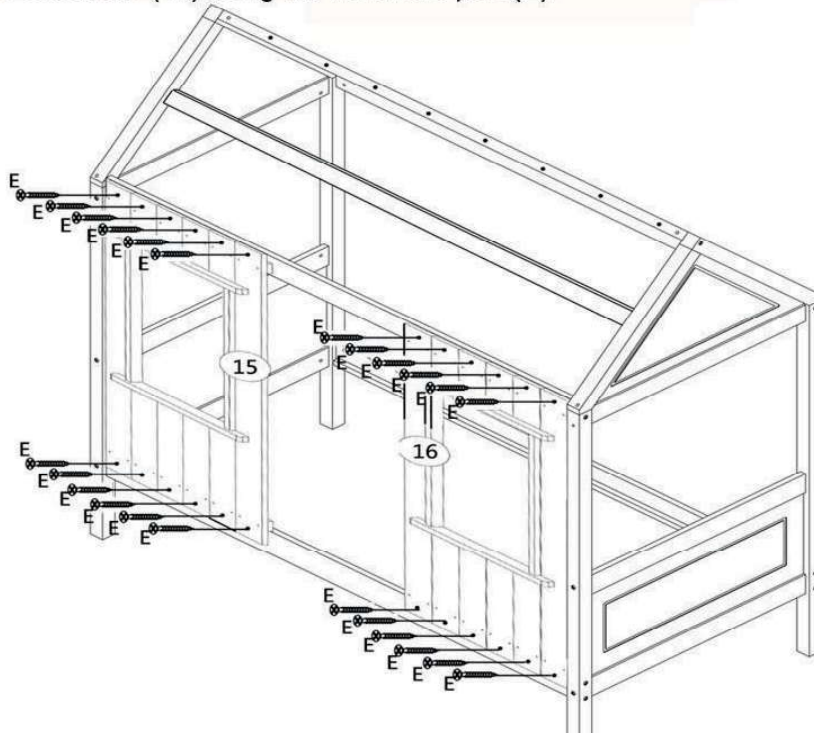
**Step 4:** Attach the 1 x Front left leg (22) and 1 x Back left leg (21) to the 1 x Top Head rail (3), 1 x Middle head rail (4), 1 x Bottom Panel (5) and 1 x Bottom head rail (6) using hardware parts (A) and (B). Then attach the 1 x Front left roof panel (17), 1 x Back left roof panel (18) and 1 x Top Panel (9) to the 1 x Front left leg (22) and Back left leg (21) using hardware part (C).



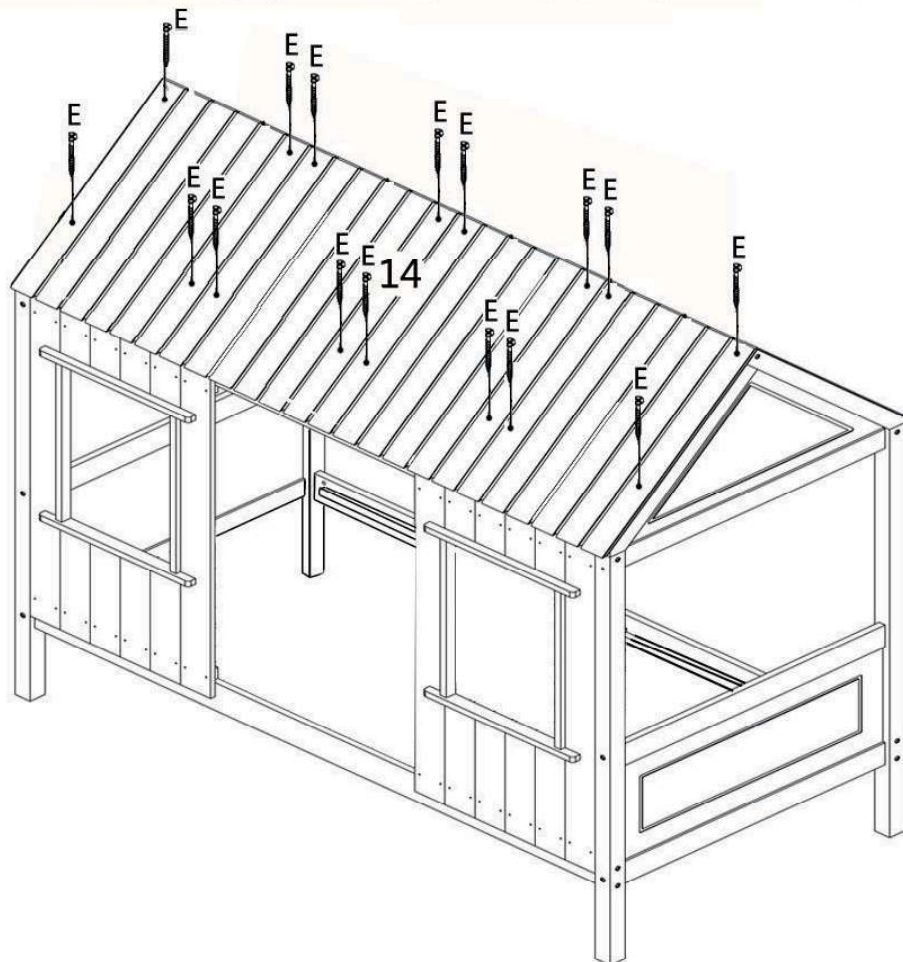
**Step 5:** Attach the 2 x Side rails (10) and the 2 x Cross bars (11) to the 1 x Front right leg (1), 1 x Back right leg (2), 1 x Front left leg (22) and 1 x Back left leg (21) using the hardware parts (A) and (B). Secondly attach the 2 x Support bar (13) and 1 x Roof Cross bar (12) to the 1 x Front right roof panel (7), 1 x Front left roof panel (17), 1 x Back right roof panel (8) and 1 x Back left roof panel (18).



Step 6: Attach the Left door (15) to the 1 x Front left leg (22), 1 x Side rail (10) and 1 x Cross bar (11) using the hardware part (E). Then Attach the Right door (16) to the 1 x Front right leg (1), 1 x Side rail (10) and 1 x Cross bar (11) using the hardware part (E).



Attach 1 x left bed roof (14) and 1 x right bed roof (19) using the dowels. Once attached apply remaining roof panels ensuring they are aligned using hardware part (E).



Step 8: Attach the 14 x Slats (20) to the 2 x Side rails (10) using hardware parts (F).

